



US00D540101S

(12) **United States Design Patent**
Cahen

(10) **Patent No.:** **US D540,101 S**

(45) **Date of Patent:** **** Apr. 10, 2007**

(54) **COFFEE MACHINE**

(75) **Inventor:** **Antoine Cahen**, Lausanne (CH)

(73) **Assignee:** **Societe des Produits Nestle S.A.**,
Vevey (CH)

(**) **Term:** **14 Years**

(21) **Appl. No.:** **29/224,661**

(22) **Filed:** **Mar. 4, 2005**

(30) **Foreign Application Priority Data**

Sep. 17, 2004 (CH) 131023

(51) **LOC (8) Cl.** **07-01**

(52) **U.S. Cl.** **D7/309; D7/306; D7/311**

(58) **Field of Classification Search** **D7/300,**
D7/305, 306-311; 222/185.1, 129.1; 99/290-292,
99/307, 305, 279

See application file for complete search history.

(56) **References Cited**

U.S. PATENT DOCUMENTS

D204,729 S * 5/1966 Hedeman D7/311

D423,861 S * 5/2000 Graffius D7/305

D495,188 S * 8/2004 Cahen D7/309

D495,915 S * 9/2004 Cahen D7/309

D499,599 S * 12/2004 Morrison D7/309

D523,279 S * 6/2006 Zemp D7/309

* cited by examiner

Primary Examiner—M. N. Pandozzi

(74) *Attorney, Agent, or Firm*—Bell, Boyd & Lloyd LLC

(57) **CLAIM**

The ornamental design for a coffee machine, as shown and described.

DESCRIPTION

FIG. 1 is a front perspective view of the present coffee machine.

FIG. 2 is a front view of FIG. 1.

FIG. 3 is a rear view of FIG. 1.

FIG. 4 is a top view of FIG. 1.

FIG. 5 is a bottom view of FIG. 1.

FIG. 6 is a left side view of FIG. 1; and,

FIG. 7 is a right side view of FIG. 1.

1 Claim, 4 Drawing Sheets

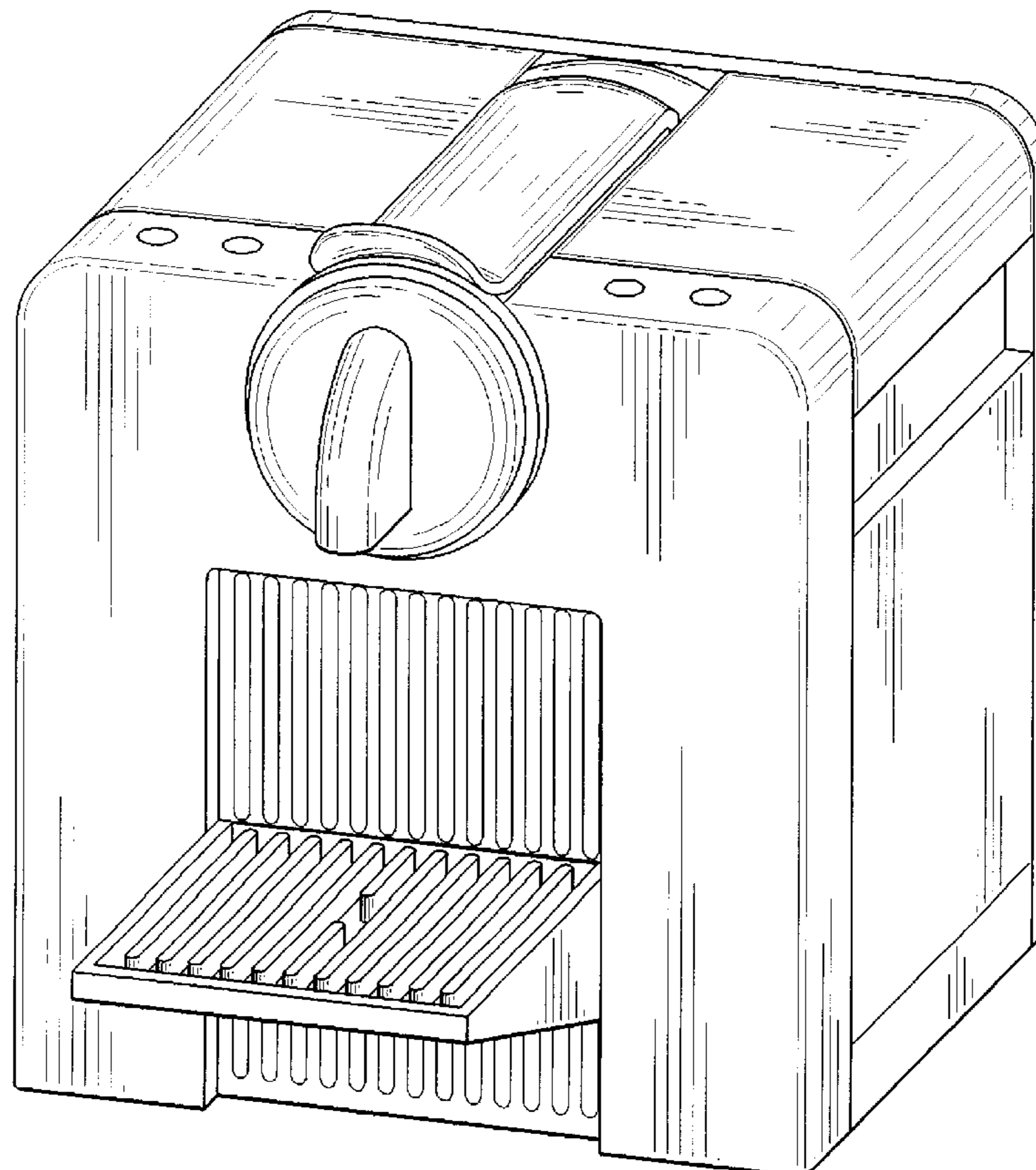


FIG.1

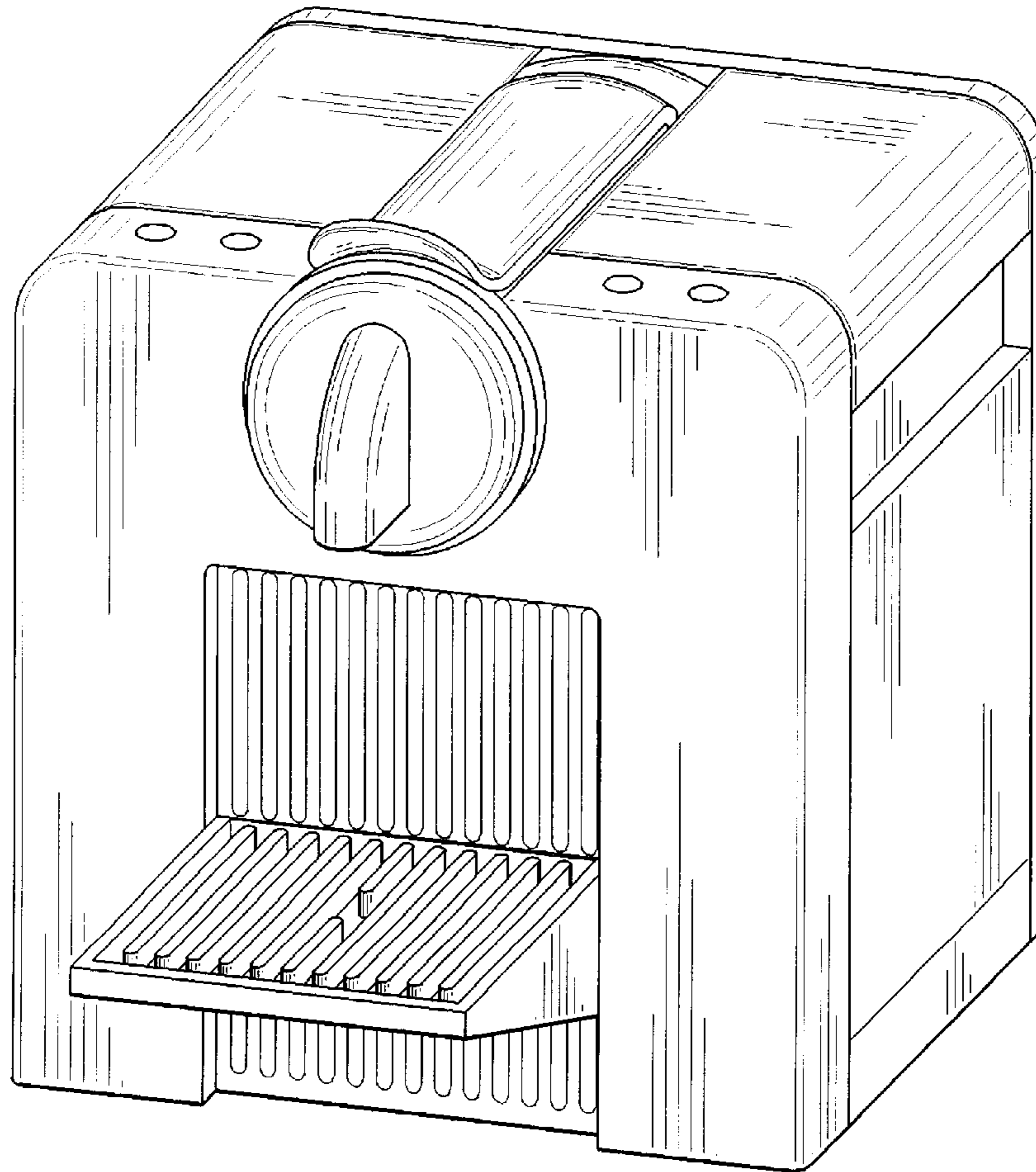


FIG. 2

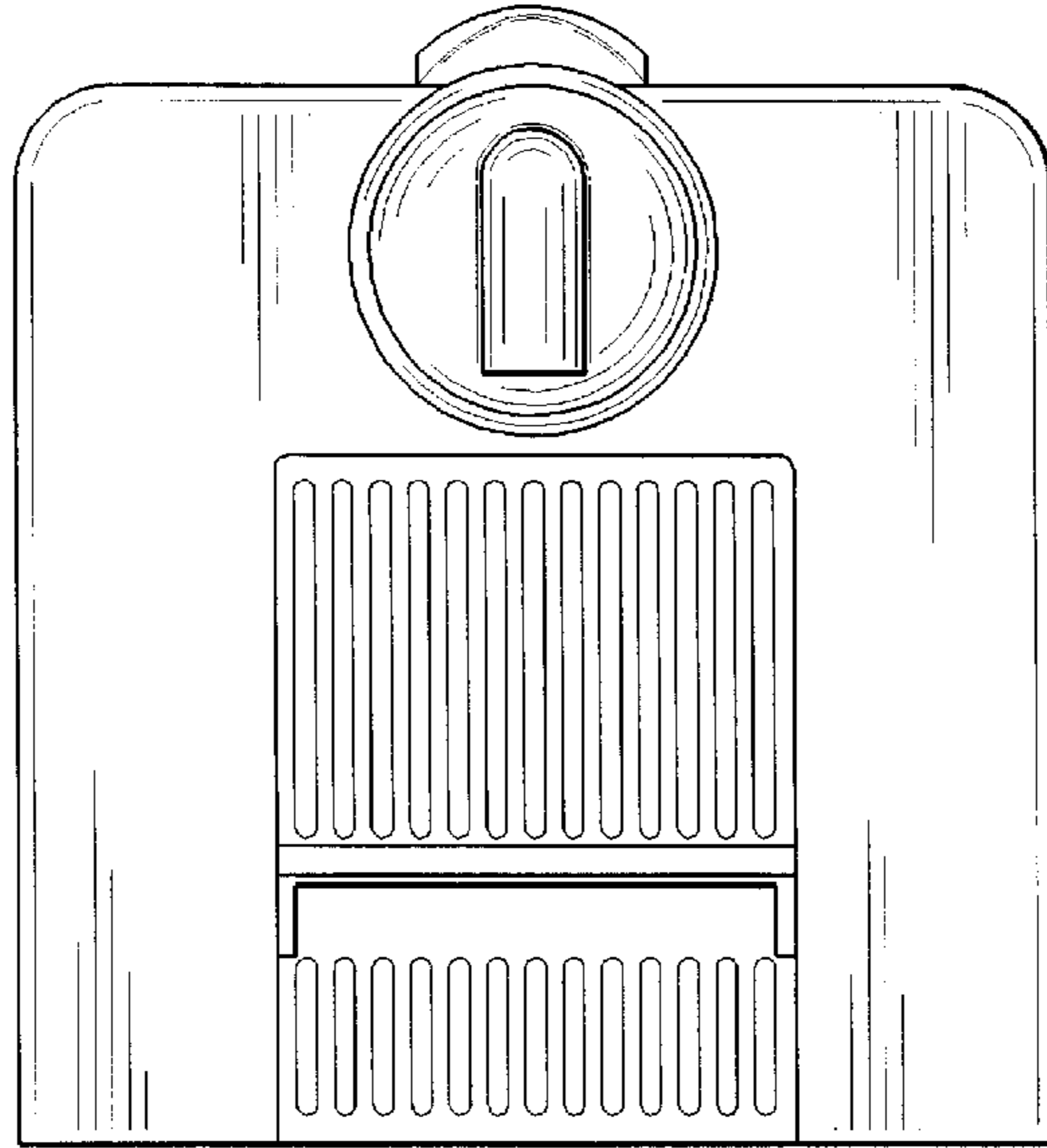


FIG. 3

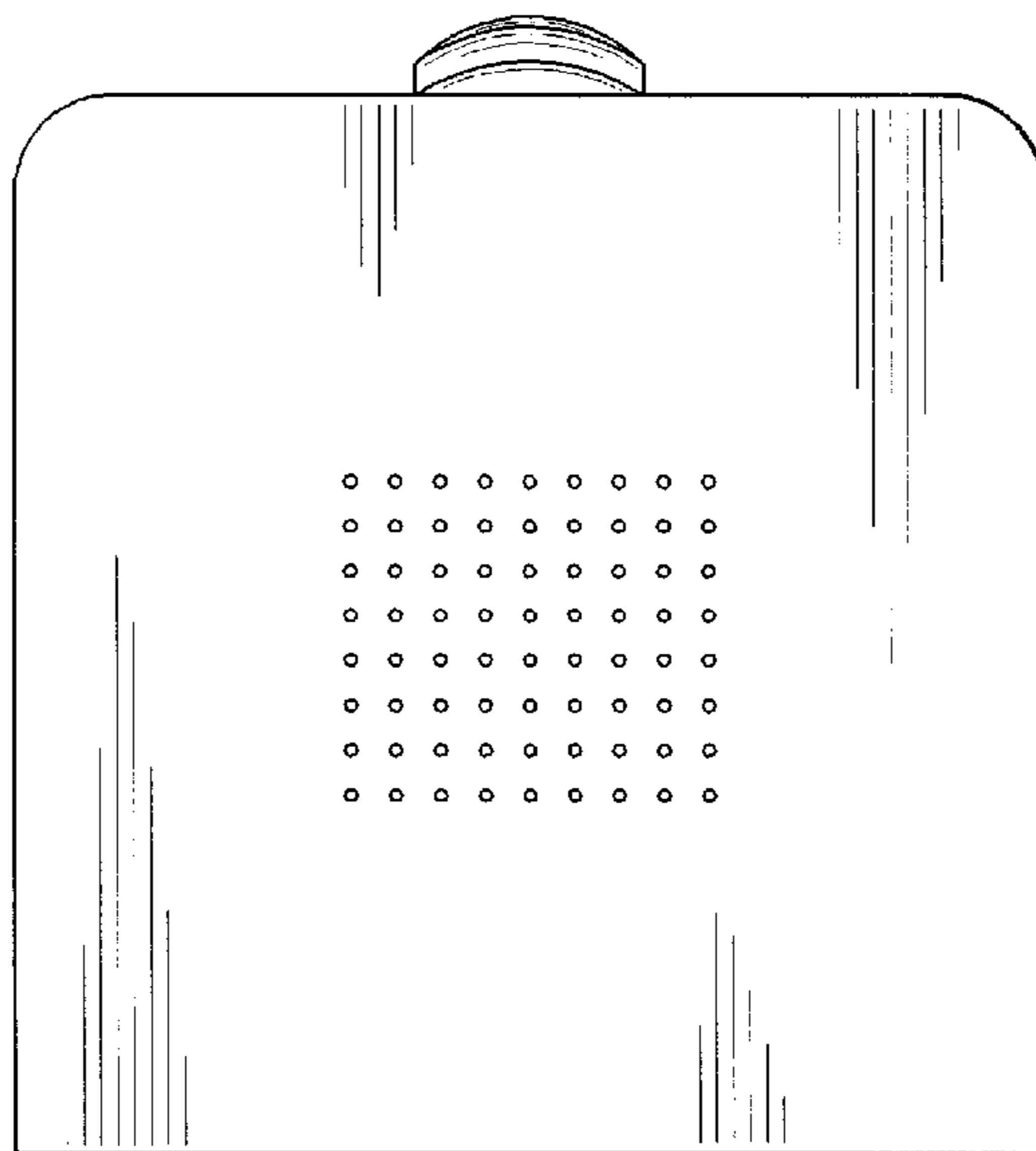


FIG. 4

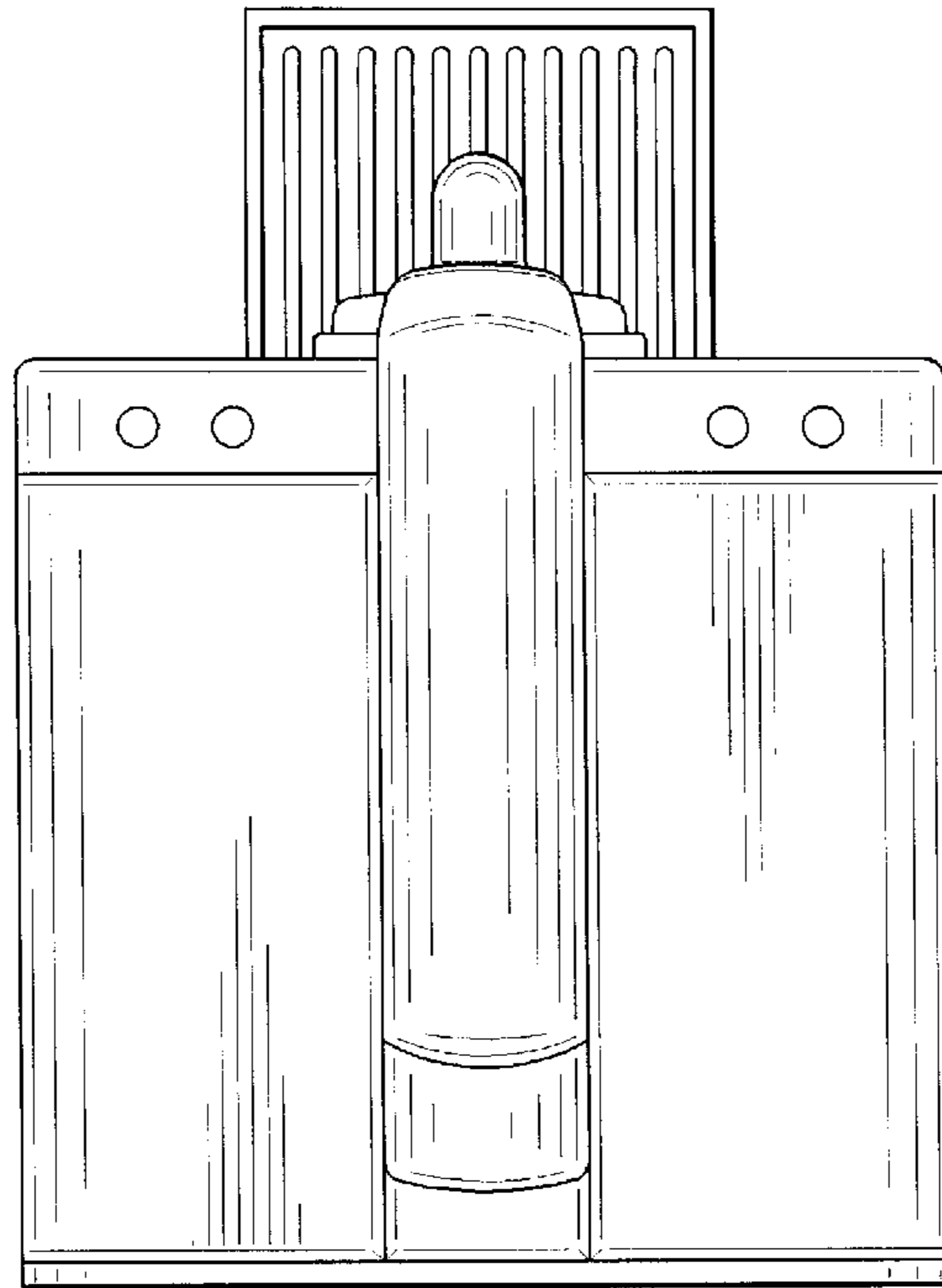


FIG. 5

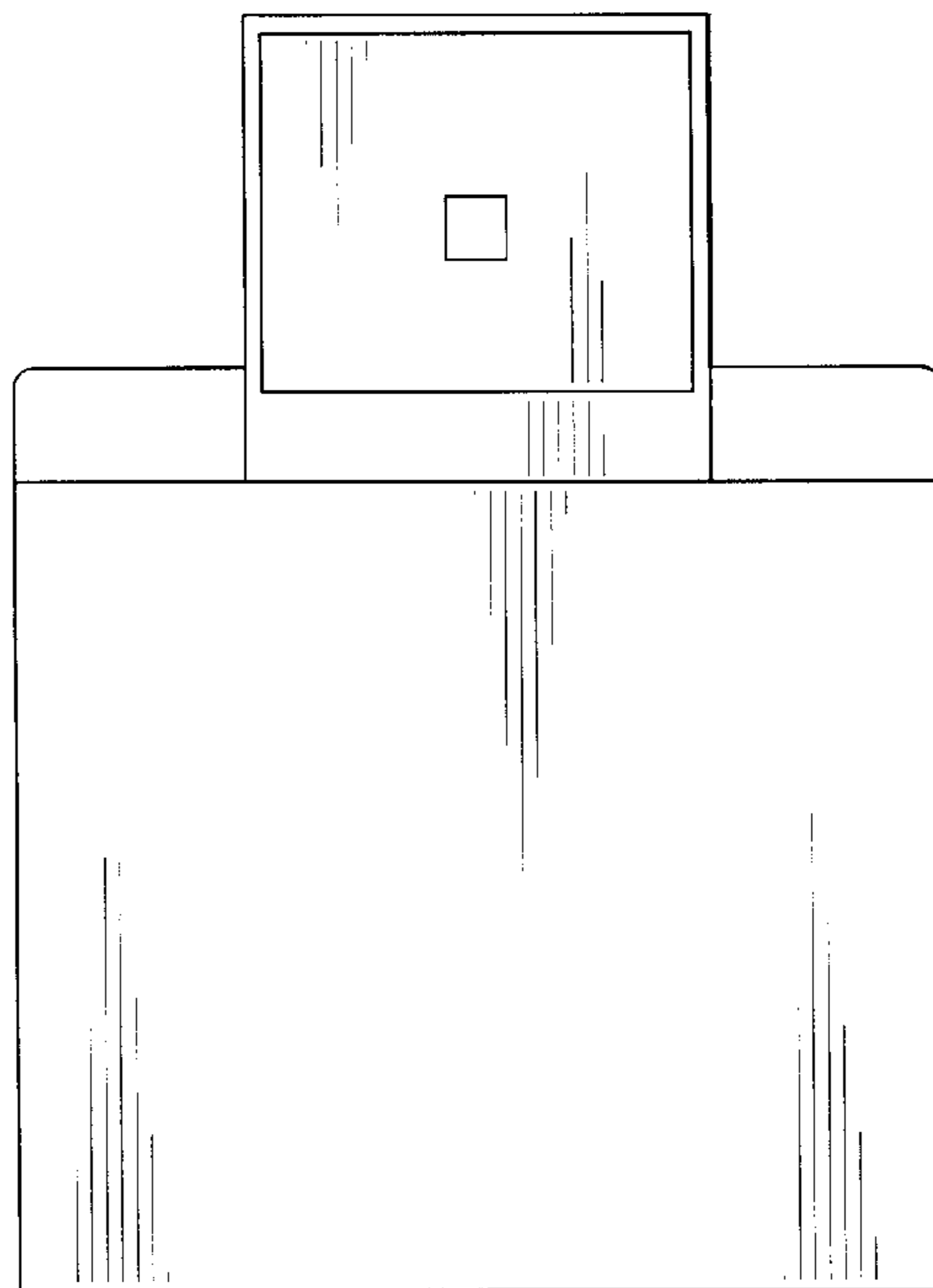


FIG. 6

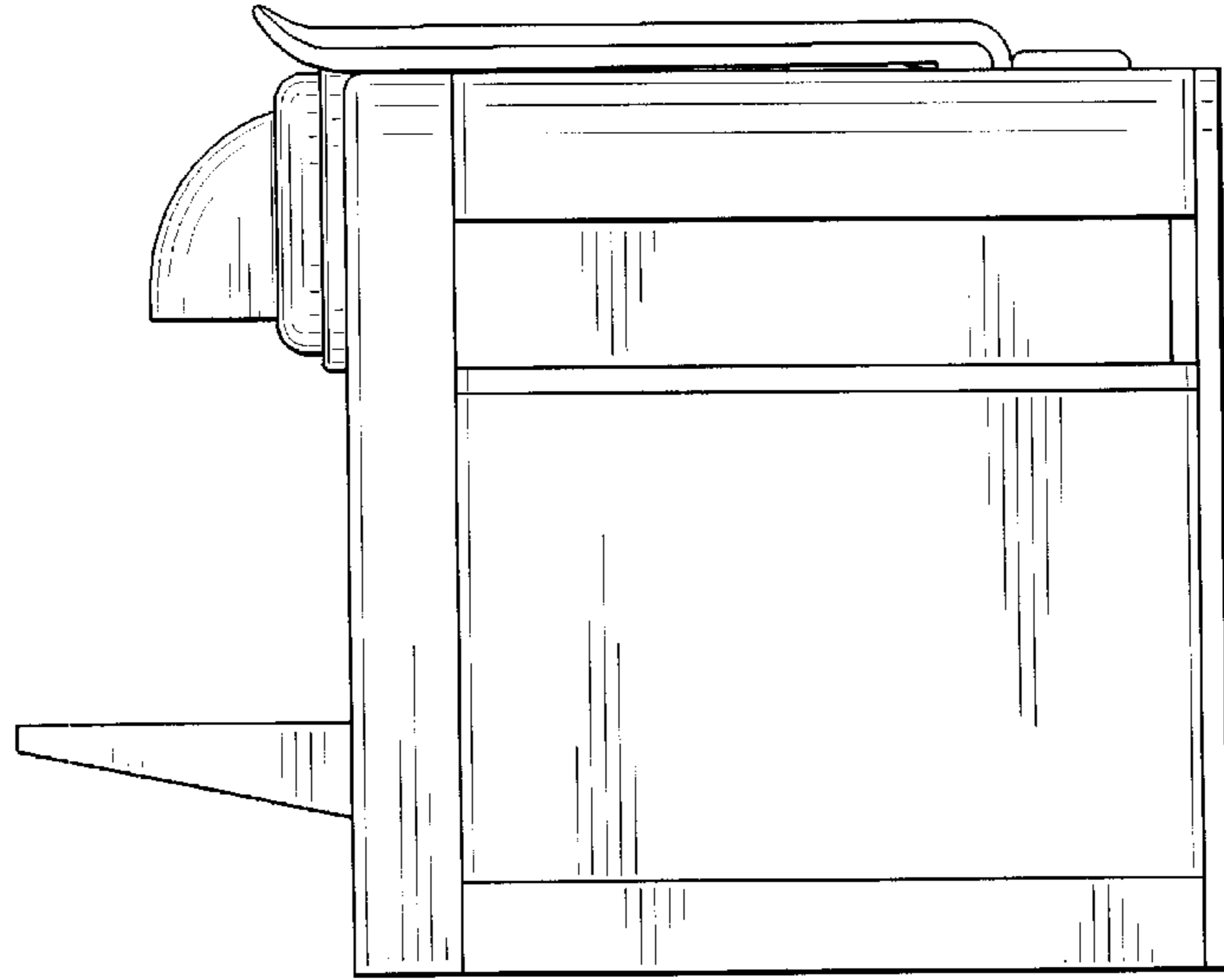


FIG. 7

