

US00D540100S

(12) **United States Design Patent**  
**Oehmen et al.**

(10) **Patent No.:** **US D540,100 S**

(45) **Date of Patent:** **\*\* Apr. 10, 2007**

(54) **CREAM DISPENSER**

(75) Inventors: **Gerald F. Oehmen**, Slinger, WI (US);  
**Paul R. Feldner**, Menomonee Falls, WI (US)

(73) Assignee: **Server Products**, Richfield, WI (US)

(\*\*) Term: **14 Years**

(21) Appl. No.: **29/230,314**

(22) Filed: **May 19, 2005**

(51) **LOC (8) Cl.** ..... **07-01**

(52) **U.S. Cl.** ..... **D7/306; D7/311**

(58) **Field of Classification Search** ..... D7/311,  
D7/312, 300, 313, 305, 306, 307, 308, 606,  
D7/598, 605, 607, 608; D15/82; 222/214,  
222/465.1, 538, 95, 129.1, 137, 129.3; 99/302,  
99/288; 220/915.1, 592.2

See application file for complete search history.

(56) **References Cited**

**U.S. PATENT DOCUMENTS**

D235,816 S \* 7/1975 Hill ..... D7/308  
D379,285 S \* 5/1997 Evers ..... D7/311  
D408,207 S \* 4/1999 Bourke ..... D7/306

D413,756 S \* 9/1999 van der Veen ..... D7/306  
D474,366 S \* 5/2003 Hodges et al. .... D7/309  
D500,625 S \* 1/2005 Hellenberg et al. .... D7/306  
D515,348 S \* 2/2006 McWilliam ..... D7/309

\* cited by examiner

*Primary Examiner*—M. N. Pandozzi

(74) *Attorney, Agent, or Firm*—Andrus, Scales, Starke & Sawall, LLP

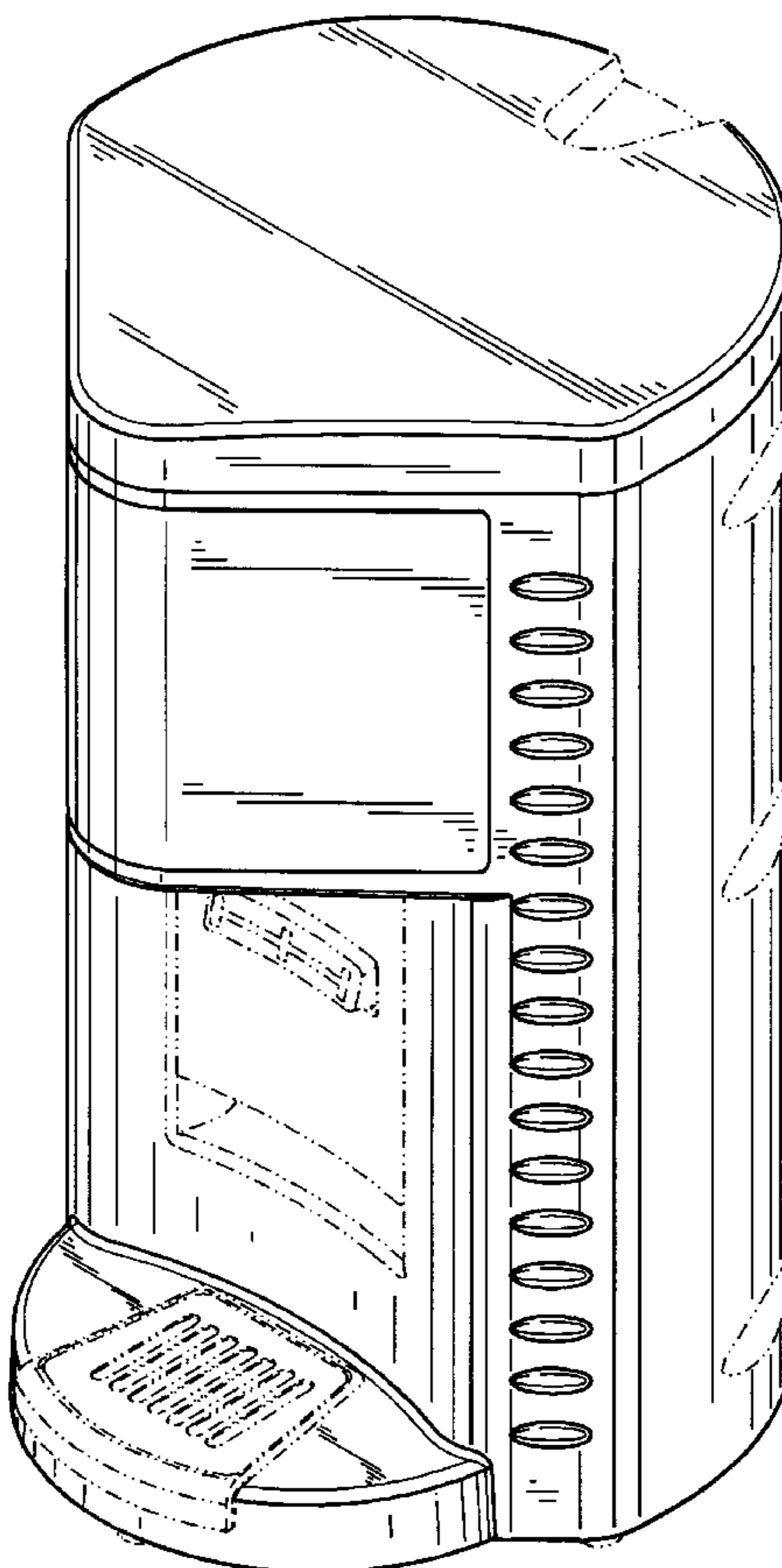
(57) **CLAIM**

The ornamental design of a cream dispenser, as shown and described.

**DESCRIPTION**

FIG. 1 is a perspective view of a cream dispenser incorporating the design of the invention;  
FIG. 2 is a front view of the cream dispenser;  
FIG. 3 is a right side view of the cream dispenser with the left side view being a mirror image thereof;  
FIG. 4 is a top view of the cream dispenser;  
FIG. 5 is a back view of the cream dispenser; and,  
FIG. 6 is a bottom view of the cream dispenser.  
The phantom lines shown in FIGS. 1–6 are shown for illustrative purposes only and form no part of the claimed design.

**1 Claim, 4 Drawing Sheets**



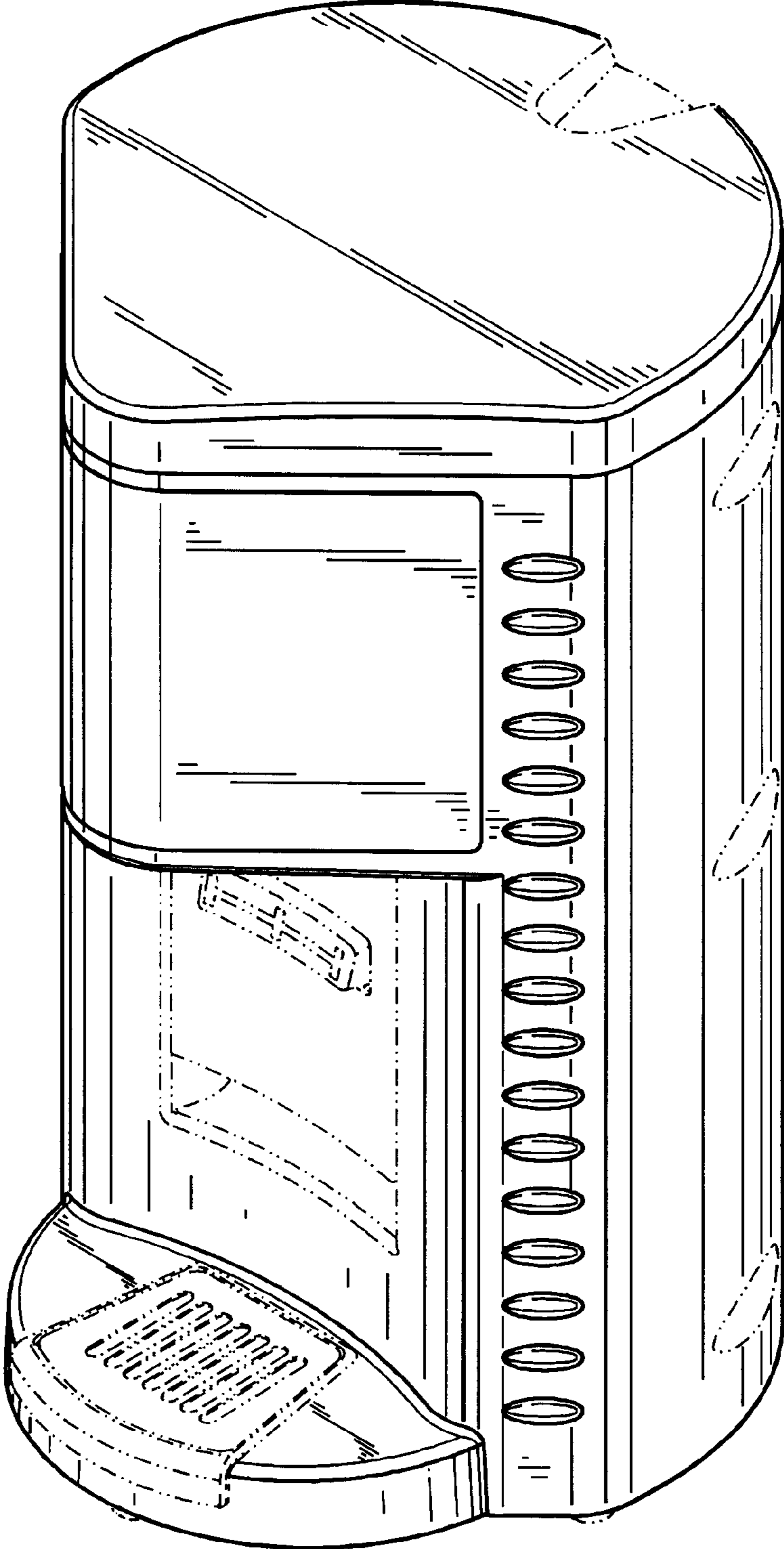


FIG. 1

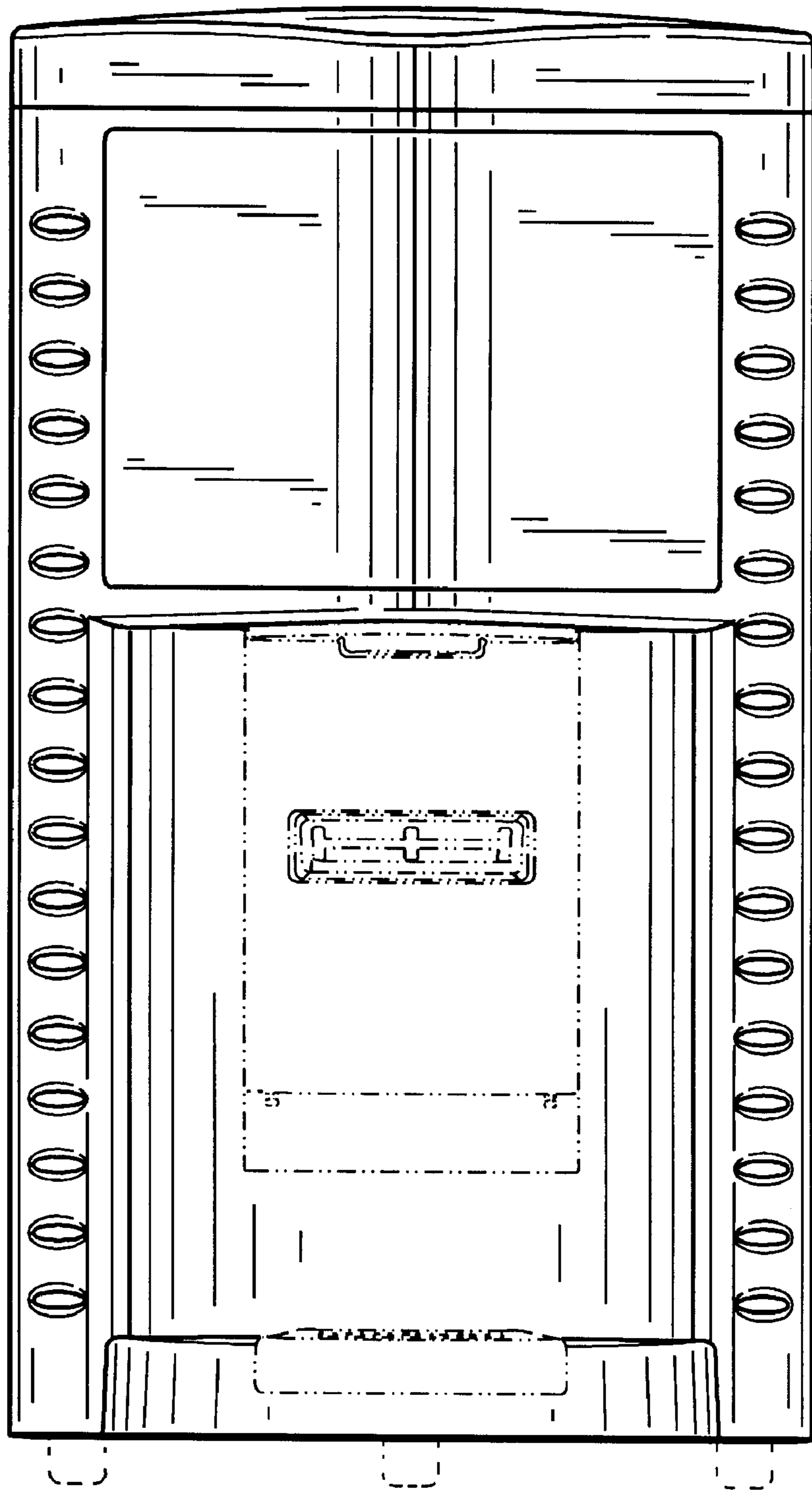


FIG. 2

FIG. 3

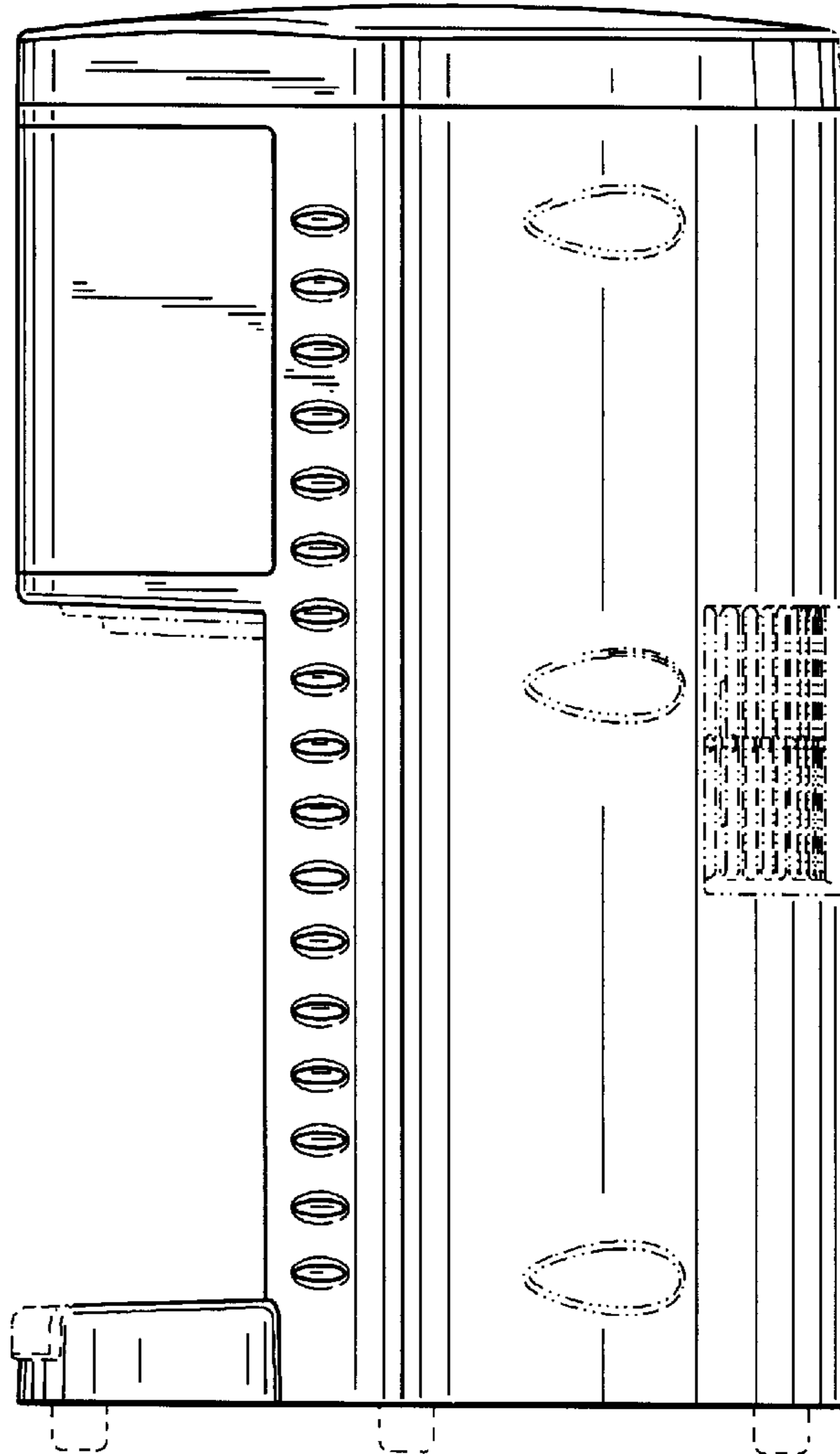


FIG. 4

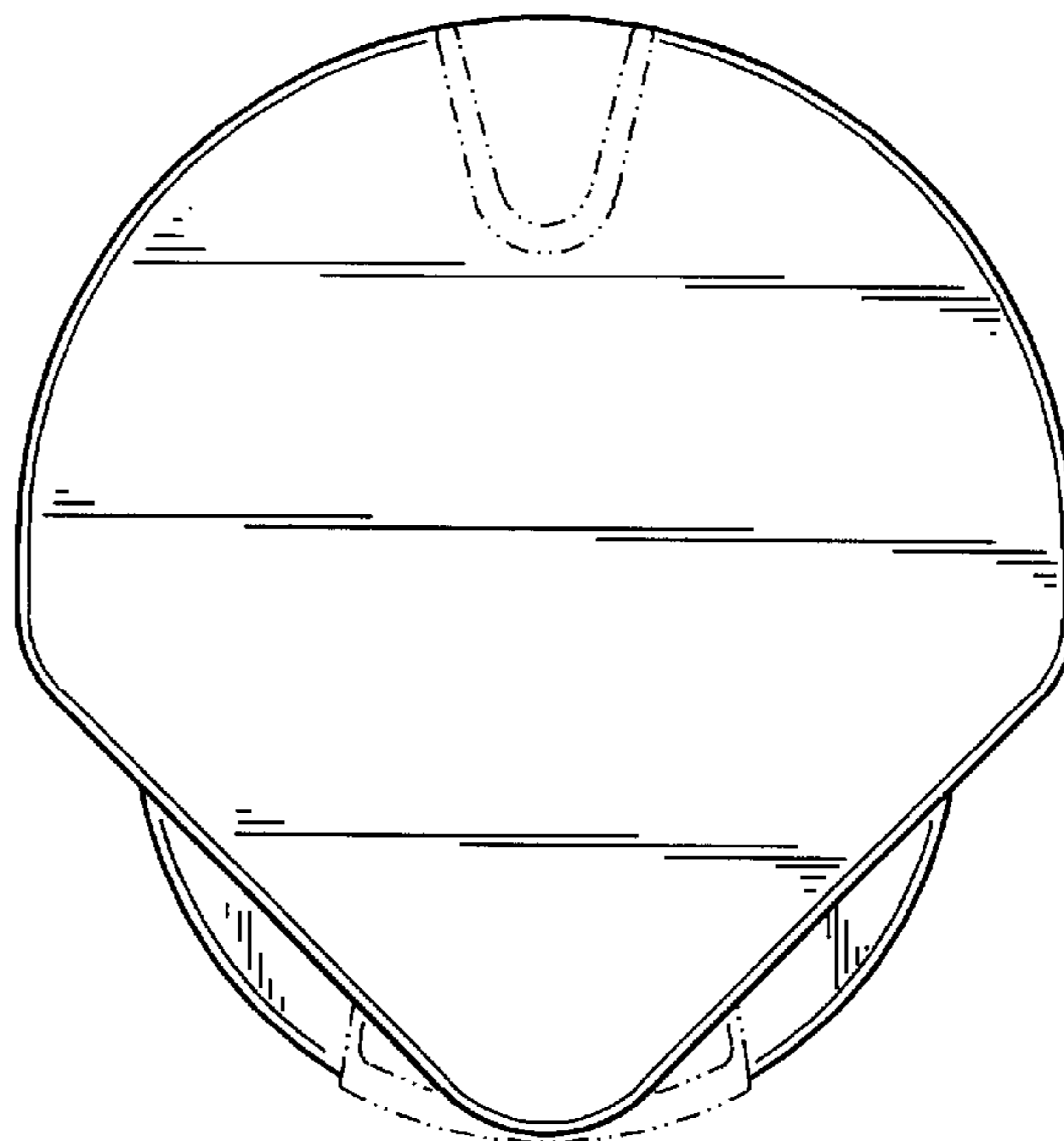


FIG. 5

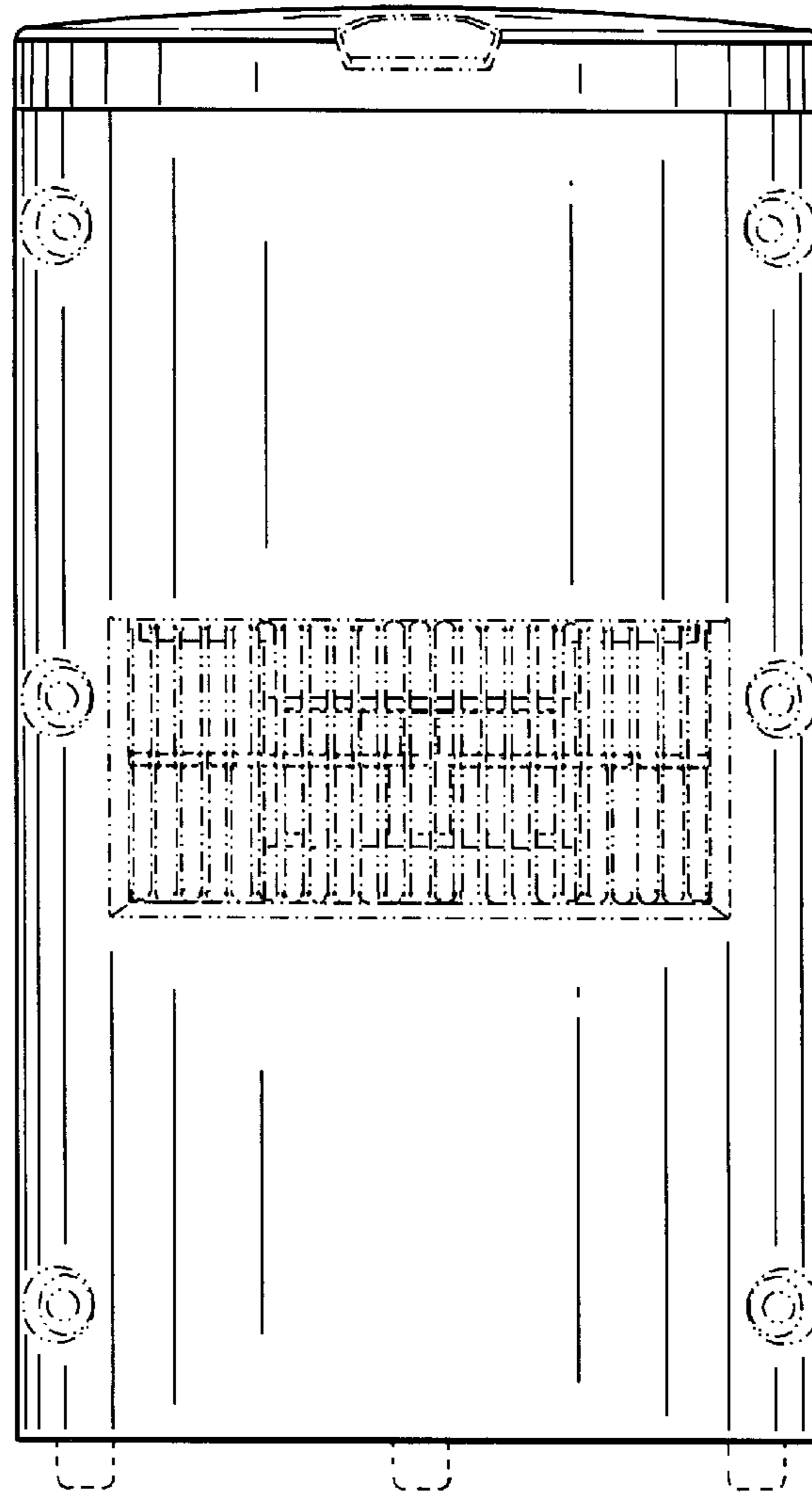


FIG. 6

