

US00D540095S

(12) **United States Design Patent**
Lee

(10) **Patent No.:** **US D540,095 S**
(45) **Date of Patent:** **** Apr. 10, 2007**

(54) **RUBBER MAT**

(76) Inventor: **Maximilian Byung-Ho Lee**, P.O. Box
836, Downey, CA (US) 90241

(**) Term: **14 Years**

(21) Appl. No.: **29/233,975**

(22) Filed: **Jul. 8, 2005**

(51) **LOC (8) Cl.** **06-11**

(52) **U.S. Cl.** **D6/583**

(58) **Field of Classification Search** D6/582-595,
D6/604; D5/59; D12/203; D29/109; 428/159
See application file for complete search history.

(56) **References Cited**

U.S. PATENT DOCUMENTS

D372,011 S	*	7/1996	Tyler	D12/203
D420,966 S	*	2/2000	Dewar et al.	D12/203
D422,151 S	*	4/2000	Hwang et al.	D5/59
D450,025 S	*	11/2001	Lu	D12/203

6,340,514 B1	*	1/2002	Kerr et al.	428/159
D454,324 S	*	3/2002	Lu	D12/203
D458,884 S	*	6/2002	Kraines	D12/203
D474,563 S	*	5/2003	Bresciani	D29/109
D499,924 S	*	12/2004	Lee	D6/582

* cited by examiner

Primary Examiner—T. Chase Nelson
Assistant Examiner—Barbara Blanton Lohr

(57) **CLAIM**

The ornamental design for a rubber mat, as shown and described.

DESCRIPTION

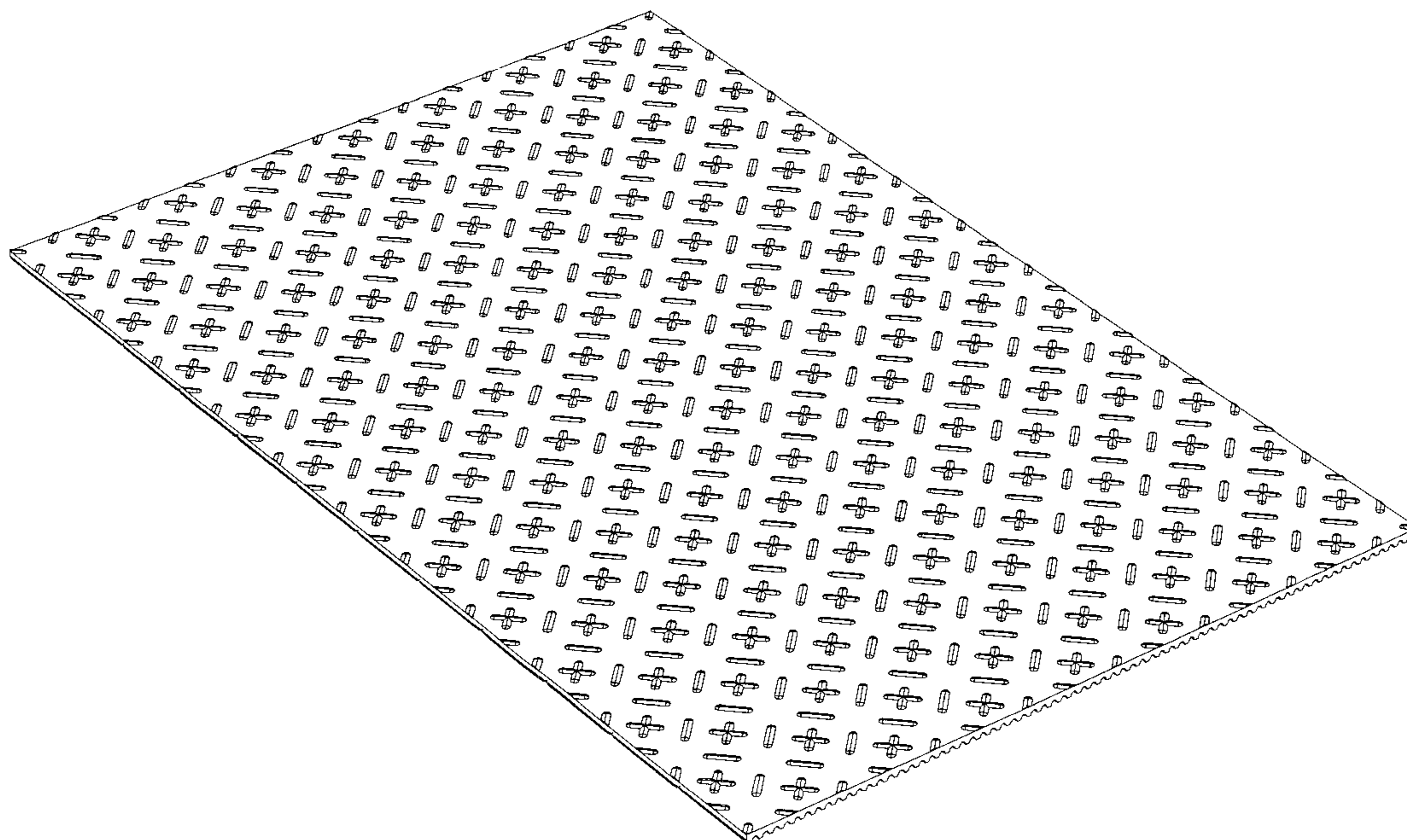
FIG. 1 is a front perspective view of a rubber mat showing my new design;

FIG. 2 is a back perspective view thereof;

FIG. 3 is an enlarged, partial front view thereof; and,

FIG. 4 is an enlarged, partial back view thereof.

1 Claim, 4 Drawing Sheets



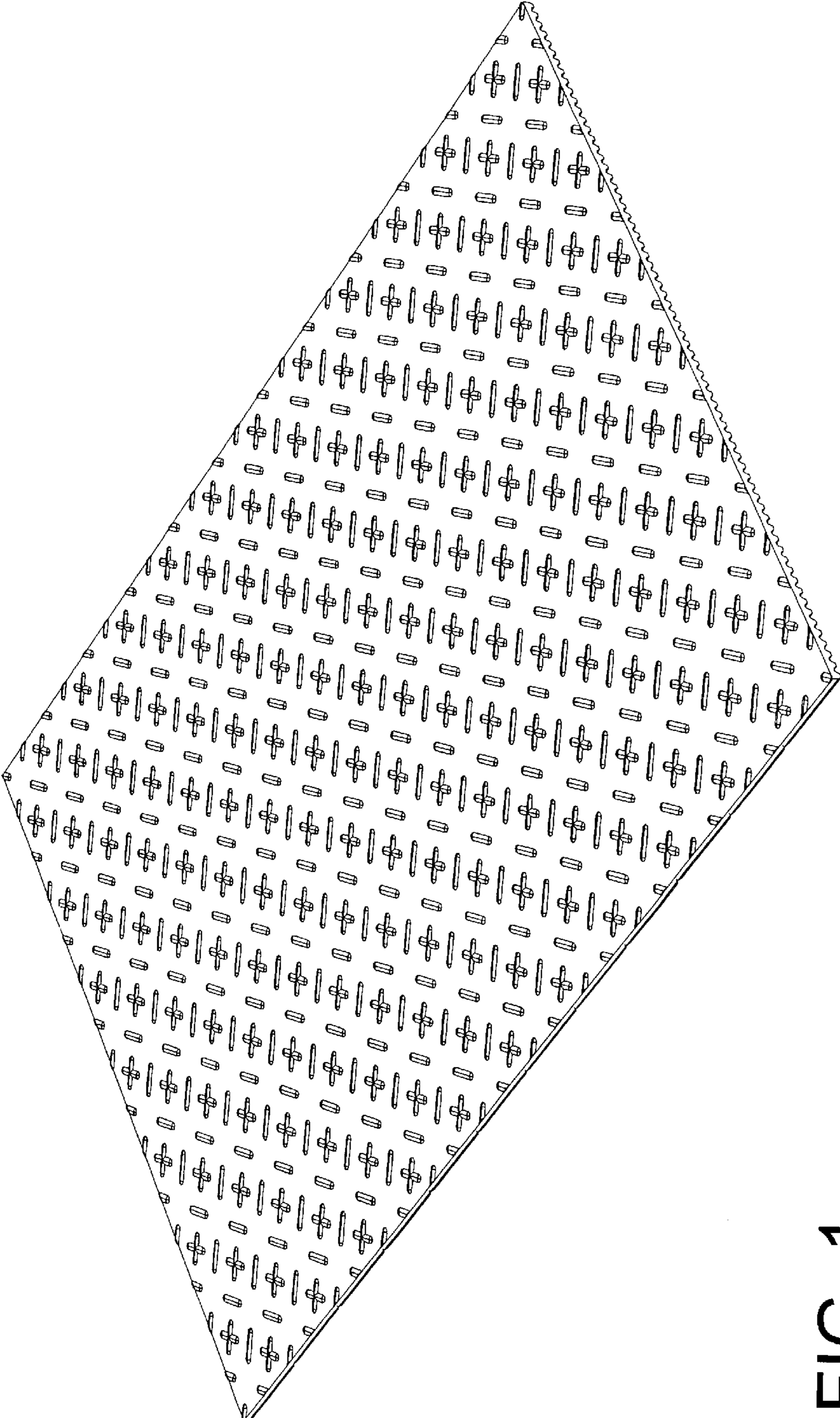


FIG. 1

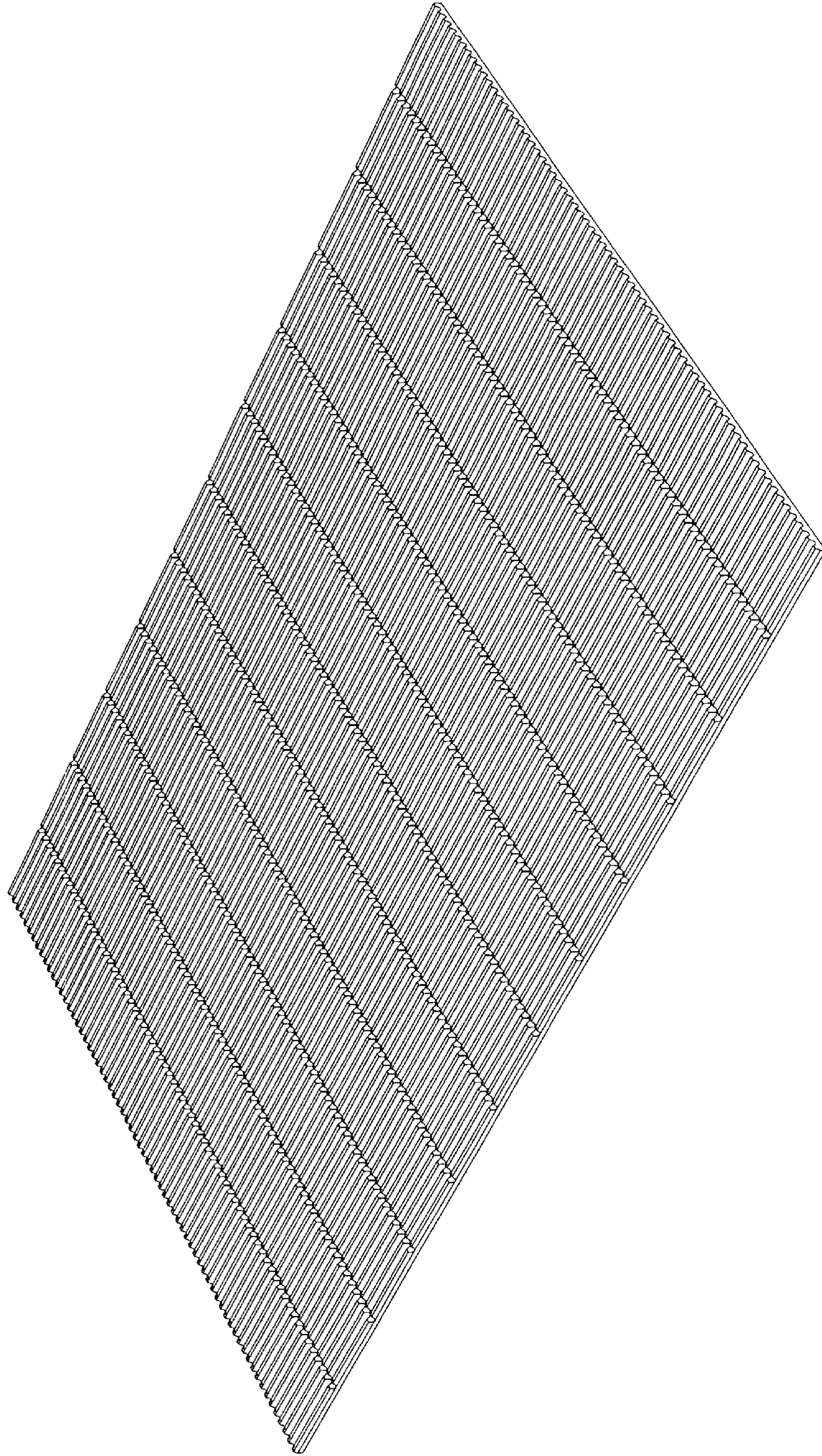


FIG. 2

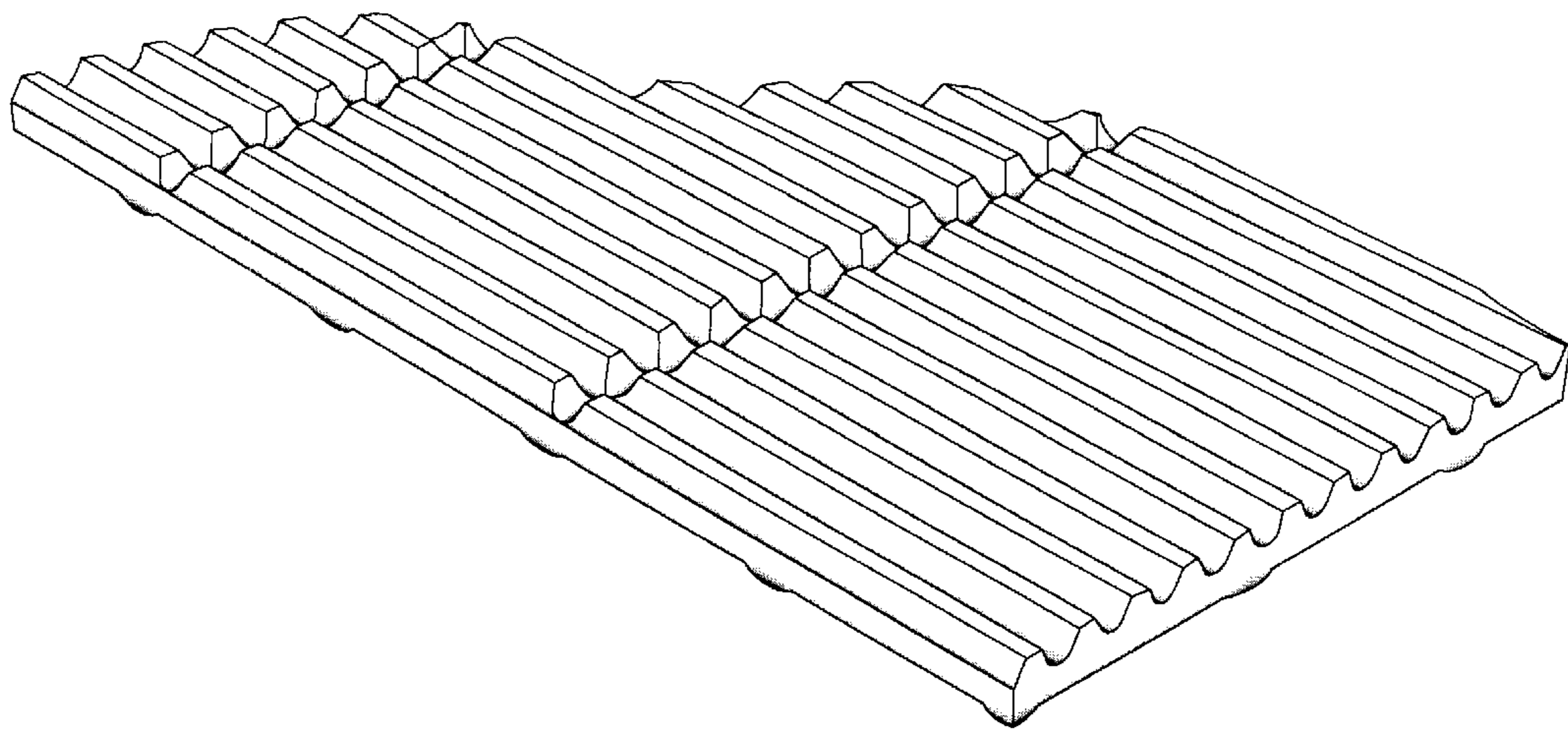


FIG. 3

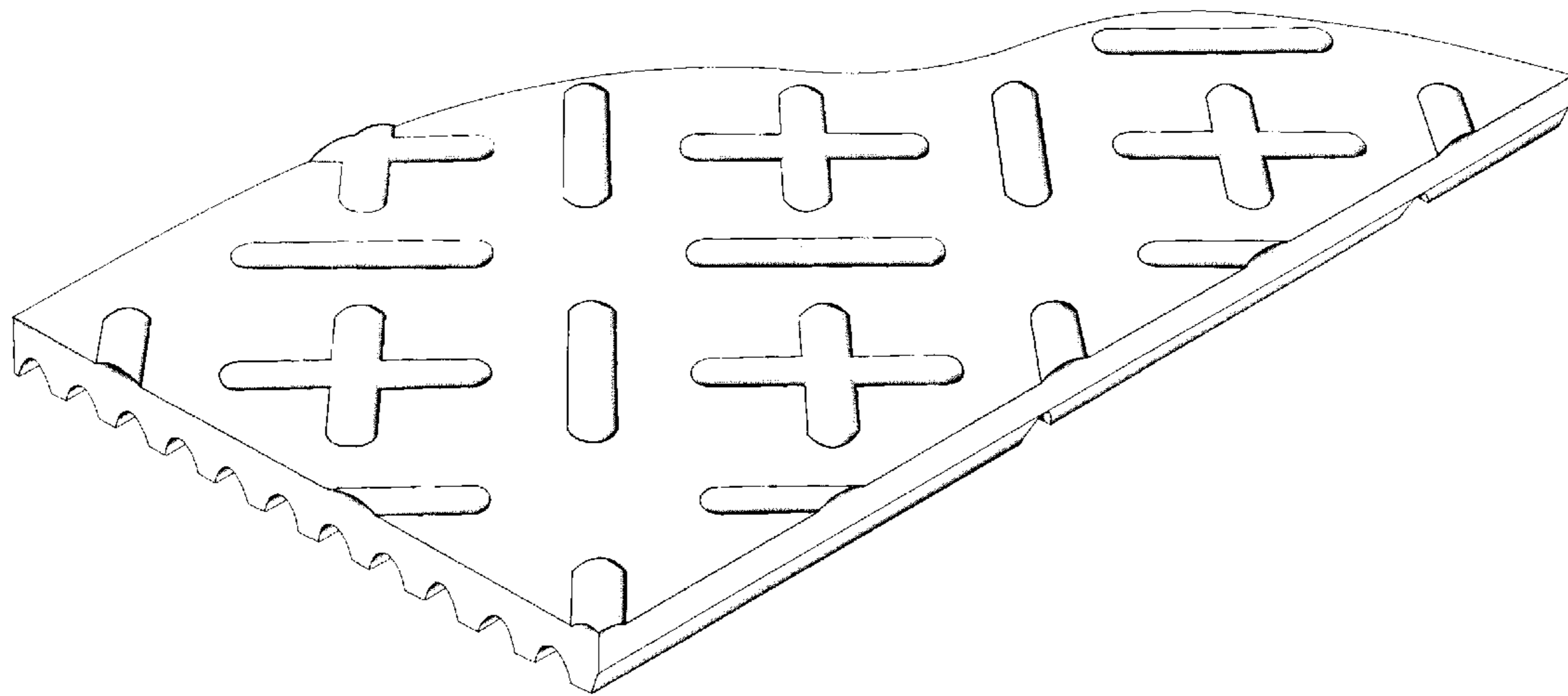


FIG. 4