

US00D540085S

(12) **United States Design Patent**
Krumpe et al.

(10) **Patent No.:** **US D540,085 S**

(45) **Date of Patent:** **** Apr. 10, 2007**

(54) **TOWEL RING**

(75) Inventors: **Geraint Krumpe**, Chicago, IL (US);
Victor Hoernig, Lowell, IN (US)

(73) Assignee: **Liberty Hardware Mfg. Corp.**,
Winston-Salem, NC (US)

(**) Term: **14 Years**

(21) Appl. No.: **29/265,763**

(22) Filed: **Sep. 8, 2006**

(51) **LOC (8) Cl.** **06-04**

(52) **U.S. Cl.** **D6/546**

(58) **Field of Classification Search** D6/546-550,
D6/518-519, 522-524; D8/300, 303, 315-321;
108/28-29; 211/13.1, 16, 60.1, 86.01, 87.01,
211/88.01, 88.04, 100, 105.1-105.2, 123,
211/181.1, 182; 248/175, 176.1, 251, 302;
16/110.1, 412, 415; 242/570, 590, 595-598
See application file for complete search history.

(56) **References Cited**

U.S. PATENT DOCUMENTS

4,907,771 A * 3/1990 Wang 248/251

D357,378 S	*	4/1995	Lehn et al.	D6/546
D398,176 S	*	9/1998	Moore et al.	D6/550
D409,032 S	*	5/1999	Kuo	D6/550
D450,509 S	*	11/2001	Gottwald	D6/546
D465,368 S	*	11/2002	Moore	D6/546
D477,735 S	*	7/2003	Solowiej	D6/546
D493,993 S	*	8/2004	Roberts et al.	D6/550
D505,819 S	*	6/2005	Hoernig	D6/546

* cited by examiner

Primary Examiner—Brian N Vinson

(74) *Attorney, Agent, or Firm*—Edgar A. Zarins; Lloyd D. Doigan

(57) **CLAIM**

The ornamental design for a towel ring, as shown and described.

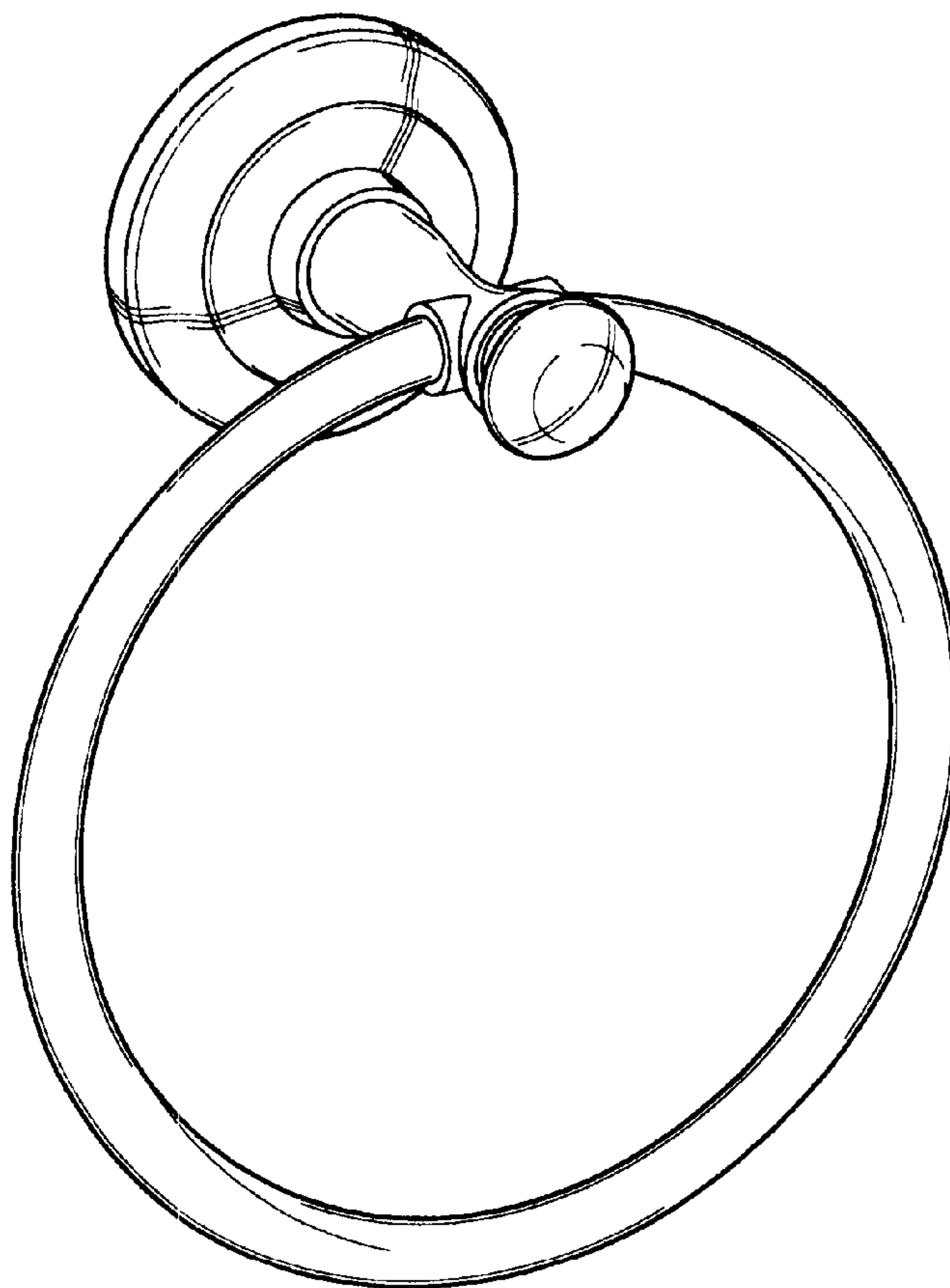
DESCRIPTION

FIG. 1 is a perspective view of a towel ring showing our new design;

FIG. 2 is a left side view thereof, the opposite side being a mirror image of the side shown; and,

FIG. 3 is a front elevational view thereof.

1 Claim, 1 Drawing Sheet



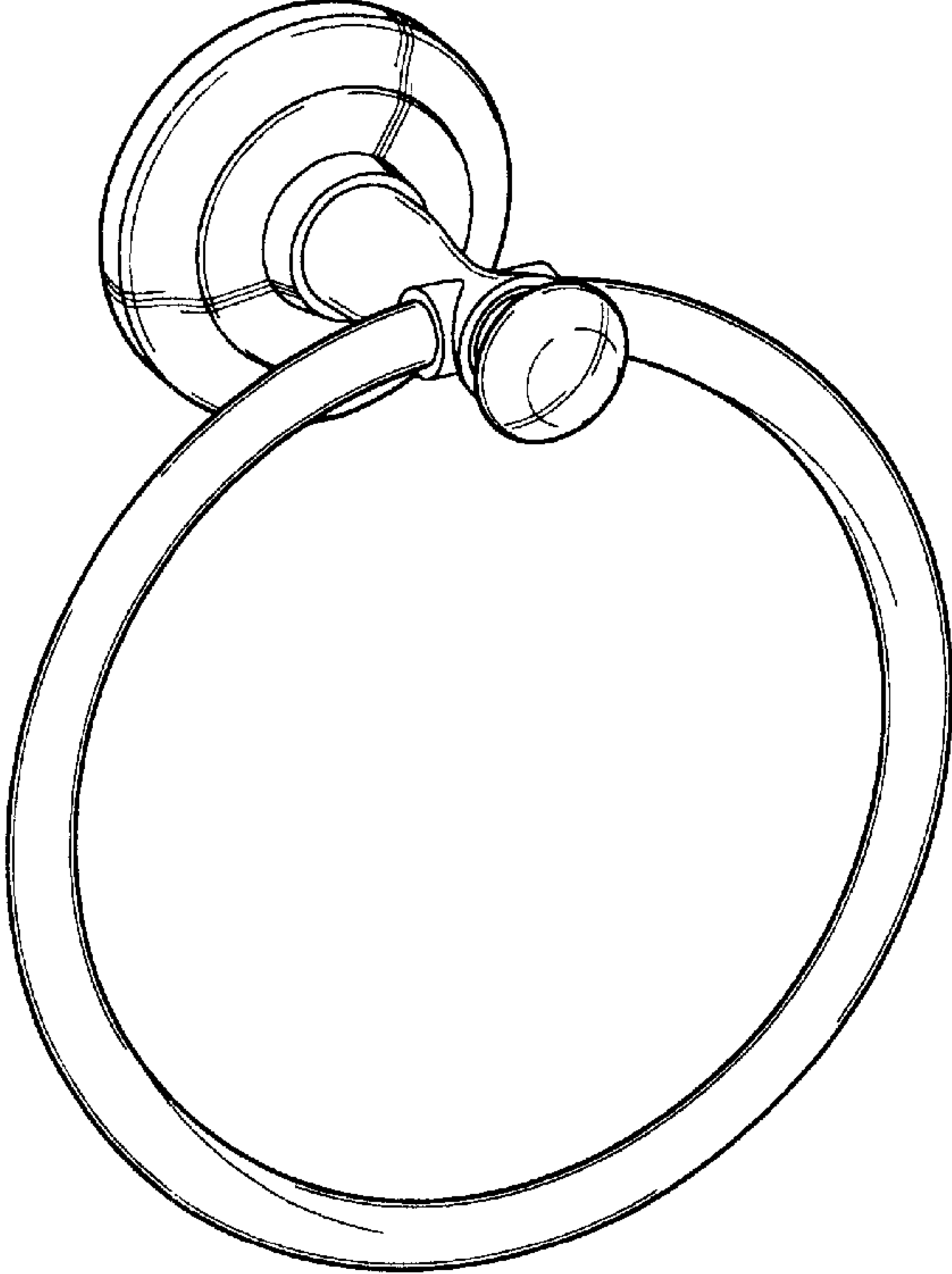


Fig-1

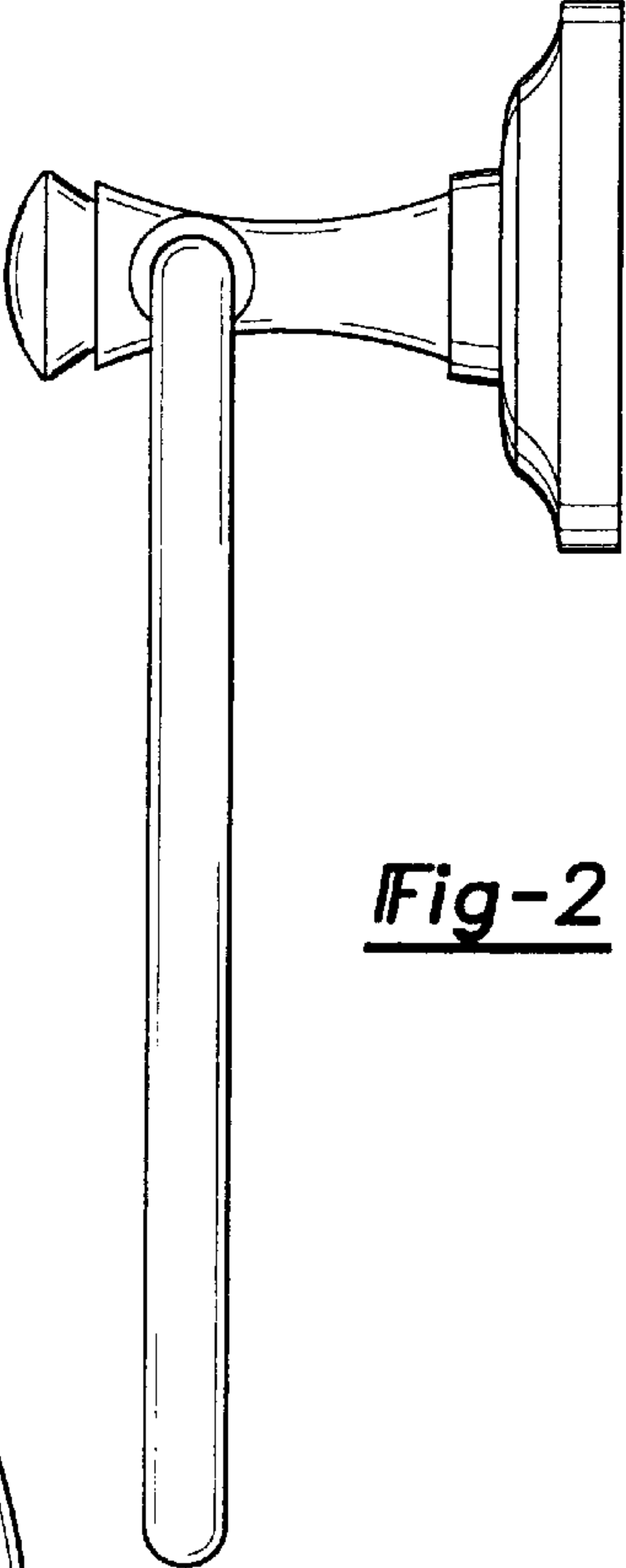


Fig-2

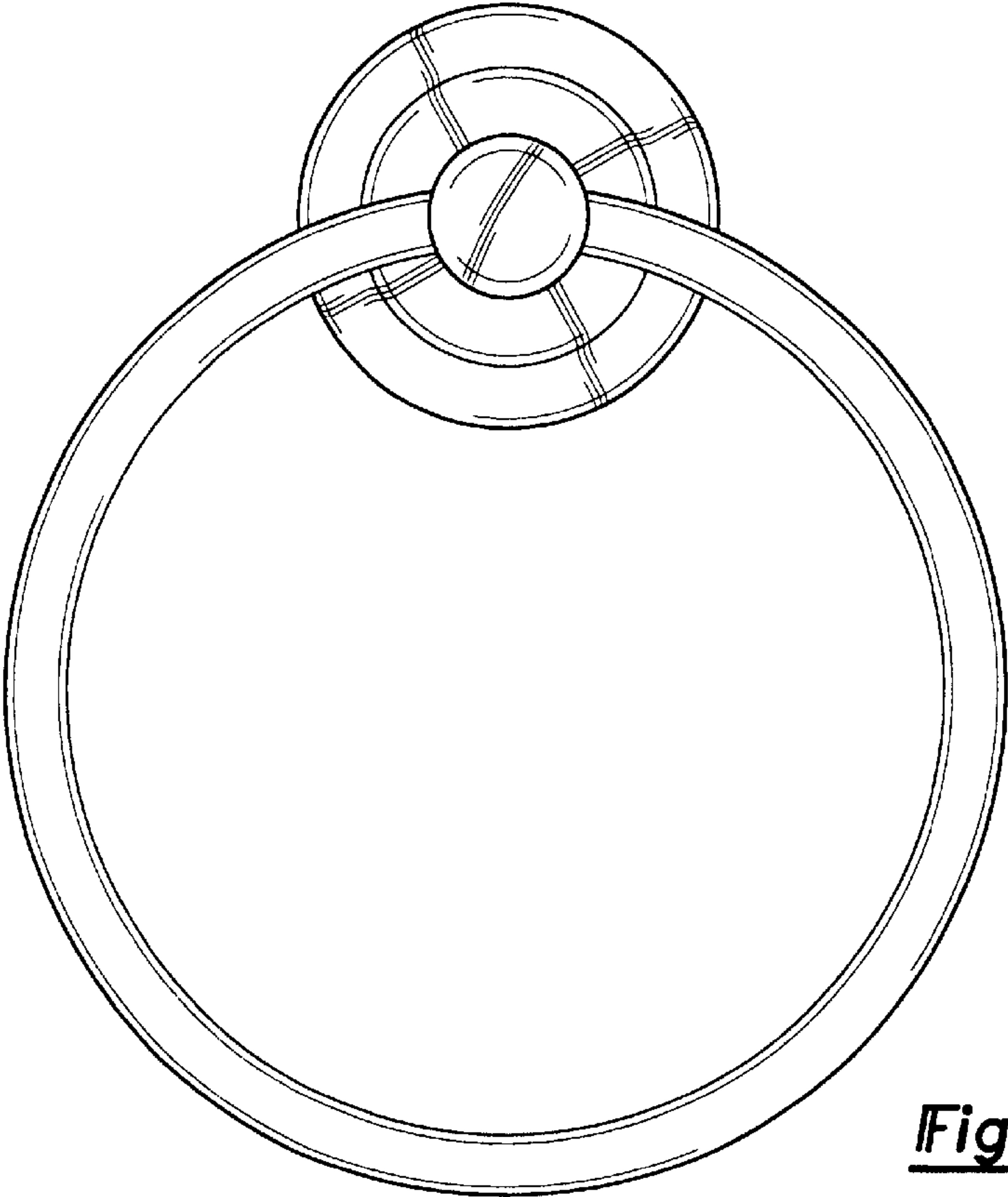


Fig-3