



US00D540084S

(12) **United States Design Patent**
Kennard

(10) **Patent No.:** **US D540,084 S**

(45) **Date of Patent:** **** Apr. 10, 2007**

(54) **BATH ACCESSORY BASE**

(75) Inventor: **Dan Kennard**, Norcross, GA (US)

(73) Assignee: **Fusion Hardware Group, Inc.**, GA (US)

(**) Term: **14 Years**

(21) Appl. No.: **29/246,542**

(22) Filed: **Apr. 21, 2006**

(51) **LOC (8) Cl.** **23-02**

(52) **U.S. Cl.** **D6/524; D6/550; D23/252**

(58) **Field of Classification Search** D6/524;
D8/349, 354, 363, 373, 380, 250-257, 300-322,
D8/DIG. 3; 108/28-29; 248/175, 176.1, 251,
248/302, 309.1; 16/110.1, 412, 415; 242/570,
242/590, 595-598; 211/13.1, 16, 60.1, 100,
211/86.01, 87.01, 88.01, 88.04, 105.1-105.2,
211/123, 182, 181.1; D23/238-257; 4/675-678;
137/801

See application file for complete search history.

(56) **References Cited**

U.S. PATENT DOCUMENTS

D226,296 S * 2/1973 Shames D8/349
D378,231 S * 2/1997 Dubin D23/252
D449,948 S * 11/2001 Lai D6/524

D492,524 S * 7/2004 Roberts et al. D6/524
D494,052 S * 8/2004 Winter et al. D8/376
D495,781 S * 9/2004 Lin D23/252
D495,782 S * 9/2004 Lin D23/252
D497,753 S * 11/2004 Wu D6/524
D507,632 S * 7/2005 Kennard D23/252
D508,554 S * 8/2005 Kennard D23/252
D514,666 S * 2/2006 Kennard D23/252
D516,357 S * 3/2006 Gilbert et al. D6/550

* cited by examiner

Primary Examiner—Louis S. Zarfes

Assistant Examiner—Gregory Andoll

(74) *Attorney, Agent, or Firm*—Leong C. Lei

(57) **CLAIM**

The ornamental design for a bath accessory base, as shown and described.

DESCRIPTION

FIG. 1 is a perspective view of a bath accessory base showing my new design;

FIG. 2 is a front elevational view thereof;

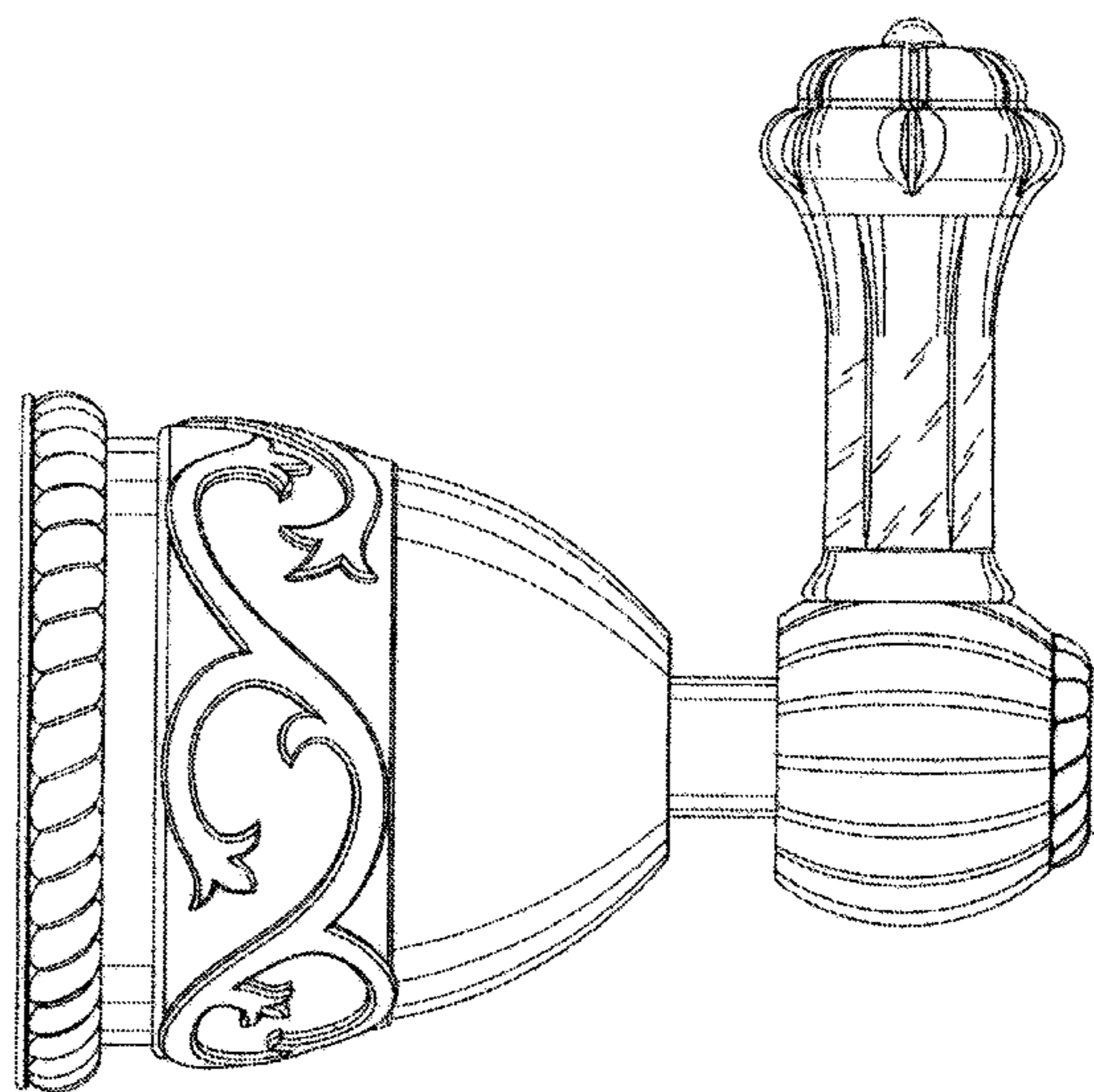
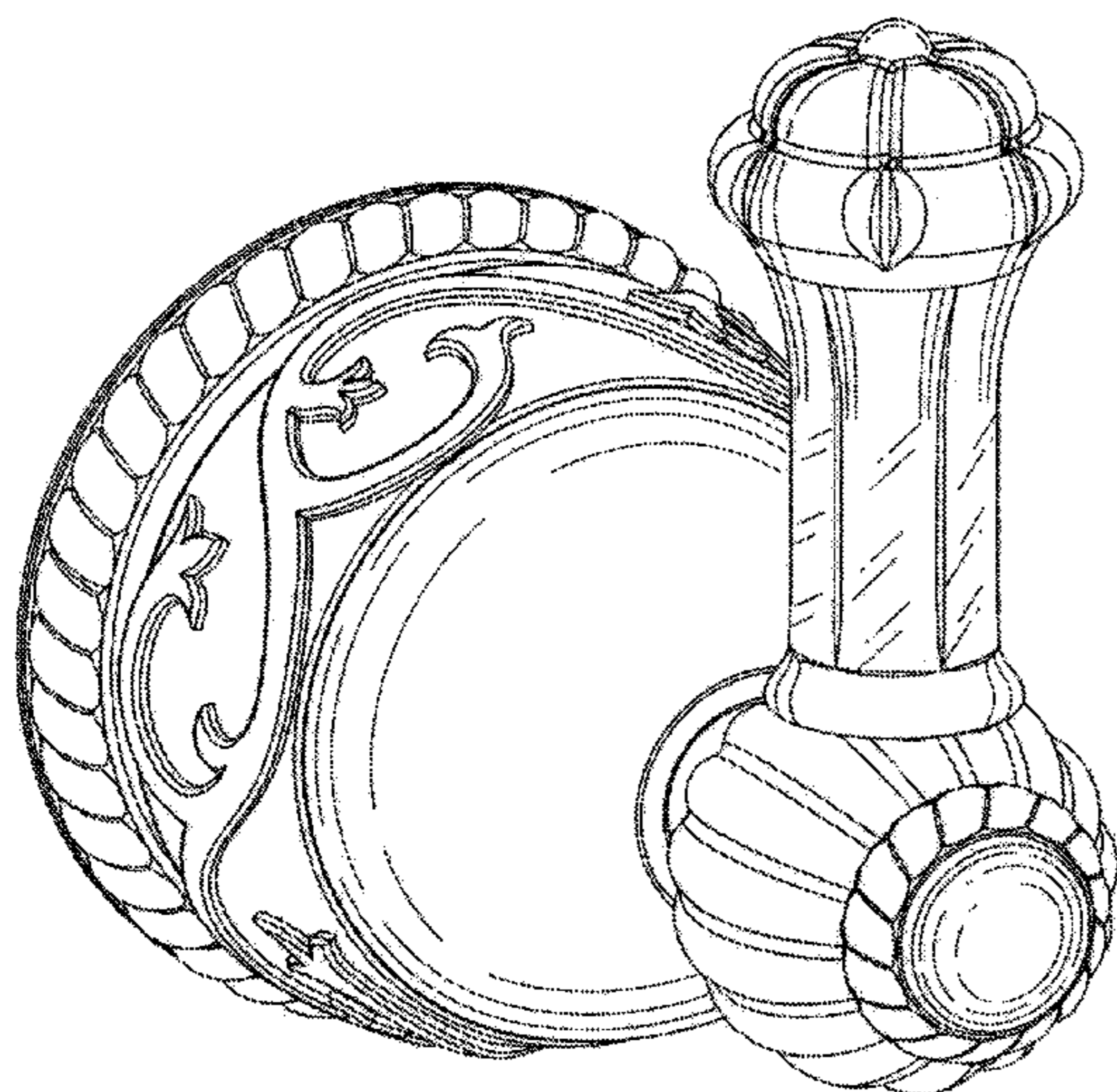
FIG. 3 is a left side elevational view thereof;

FIG. 4 is a right side elevational view thereof;

FIG. 5 is a top plan view thereof; and,

FIG. 6 is a bottom plan view thereof.

1 Claim, 6 Drawing Sheets



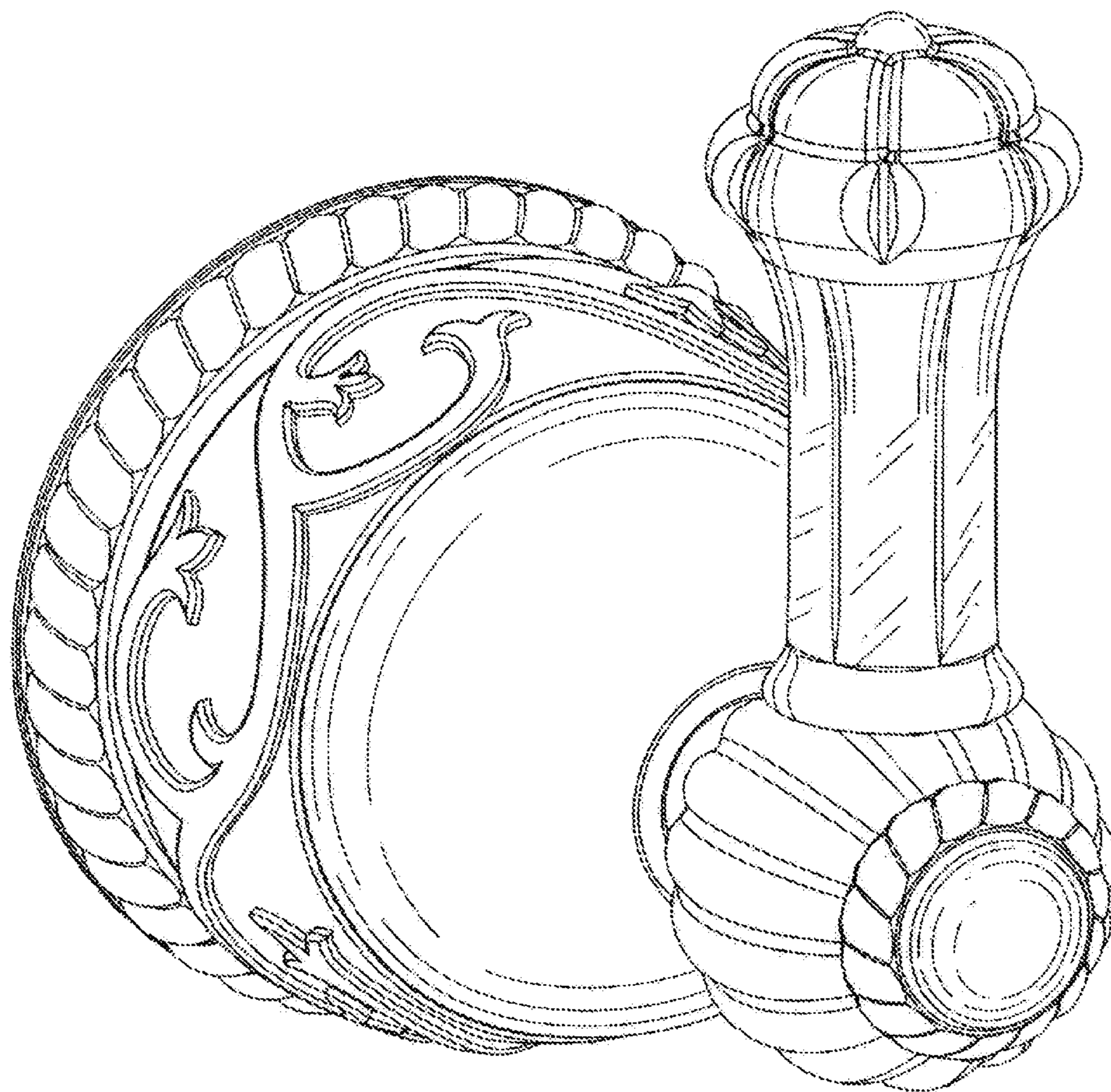


FIG. 1

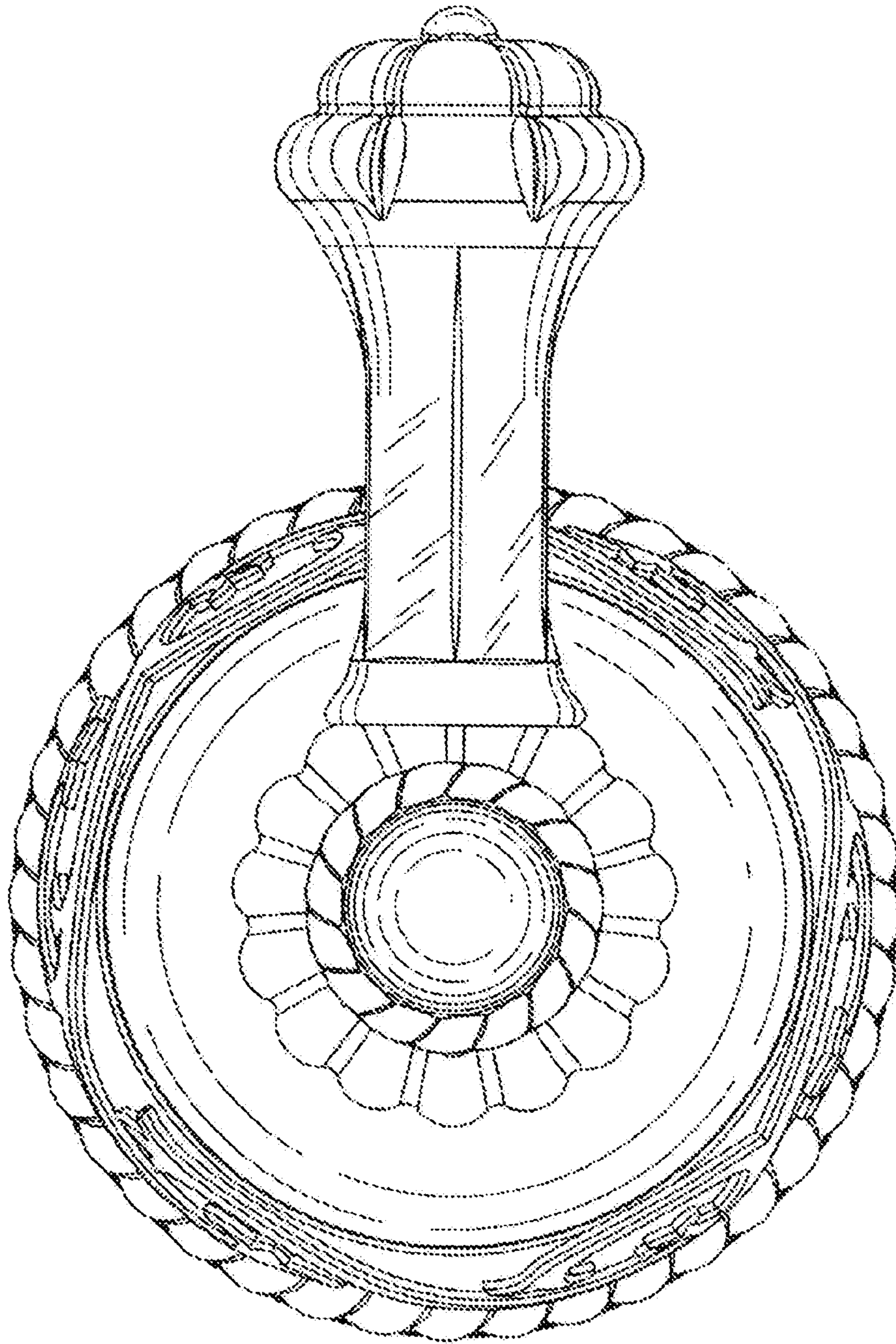


FIG. 2

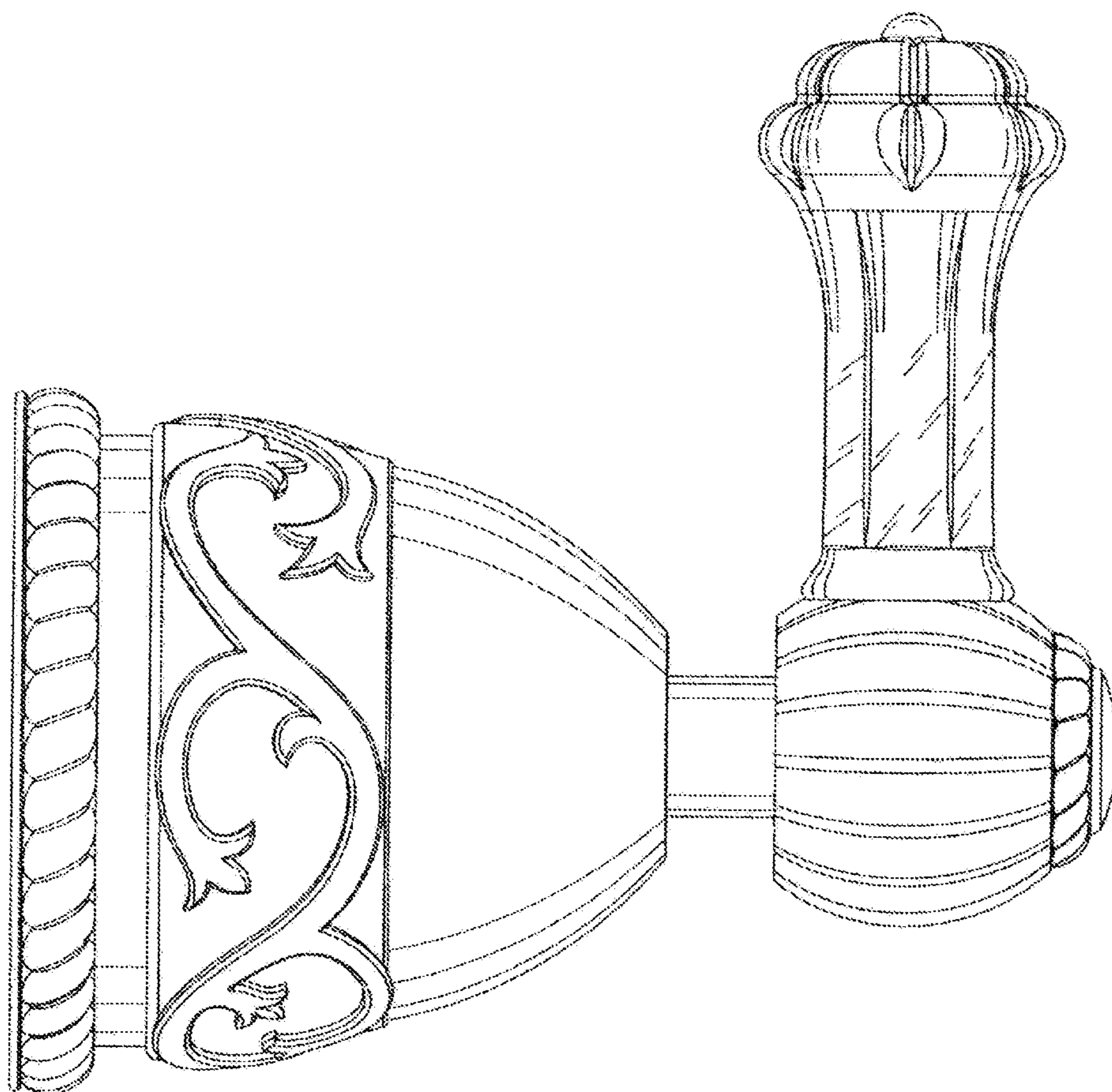


FIG. 3

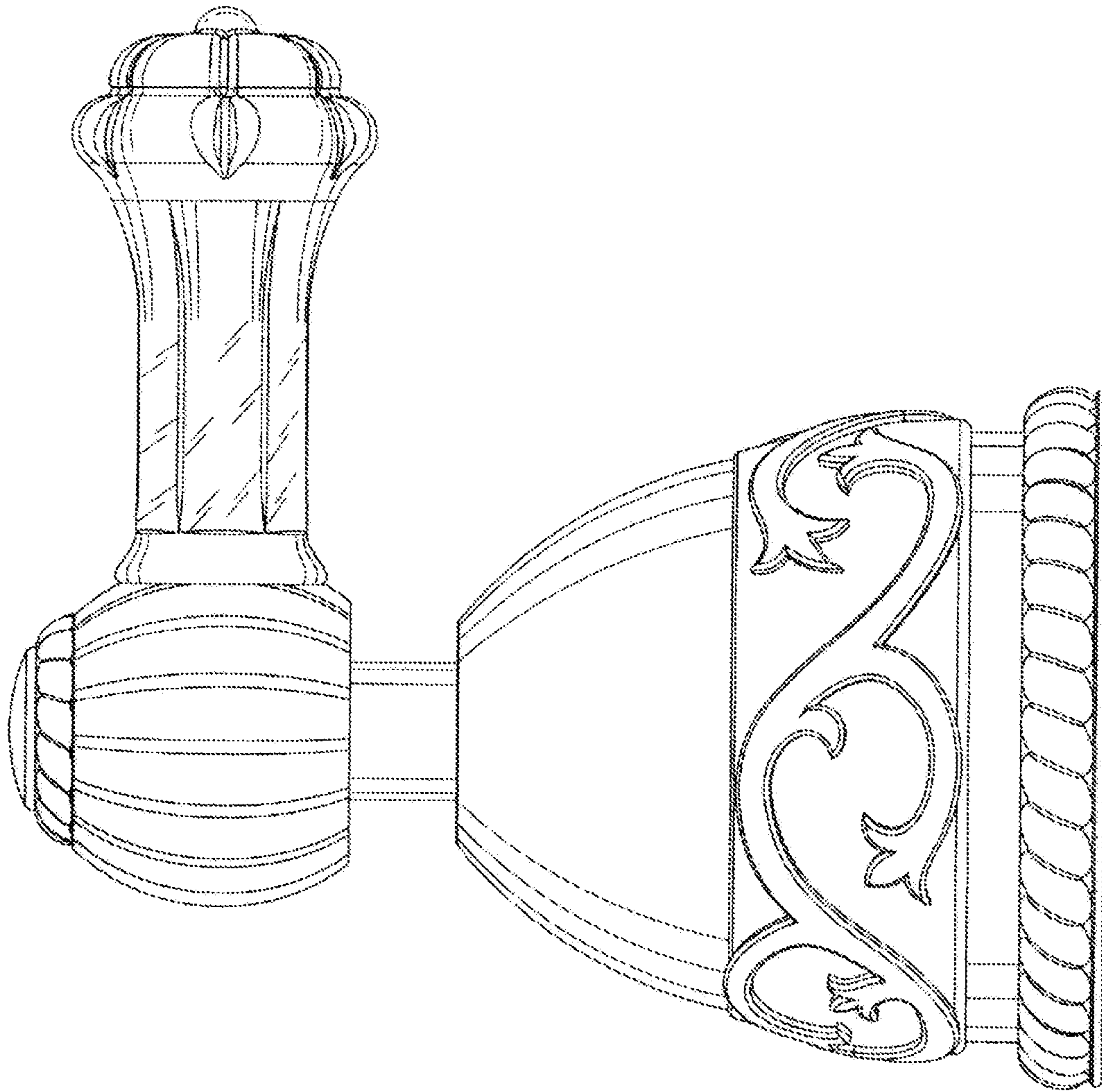


FIG. 4

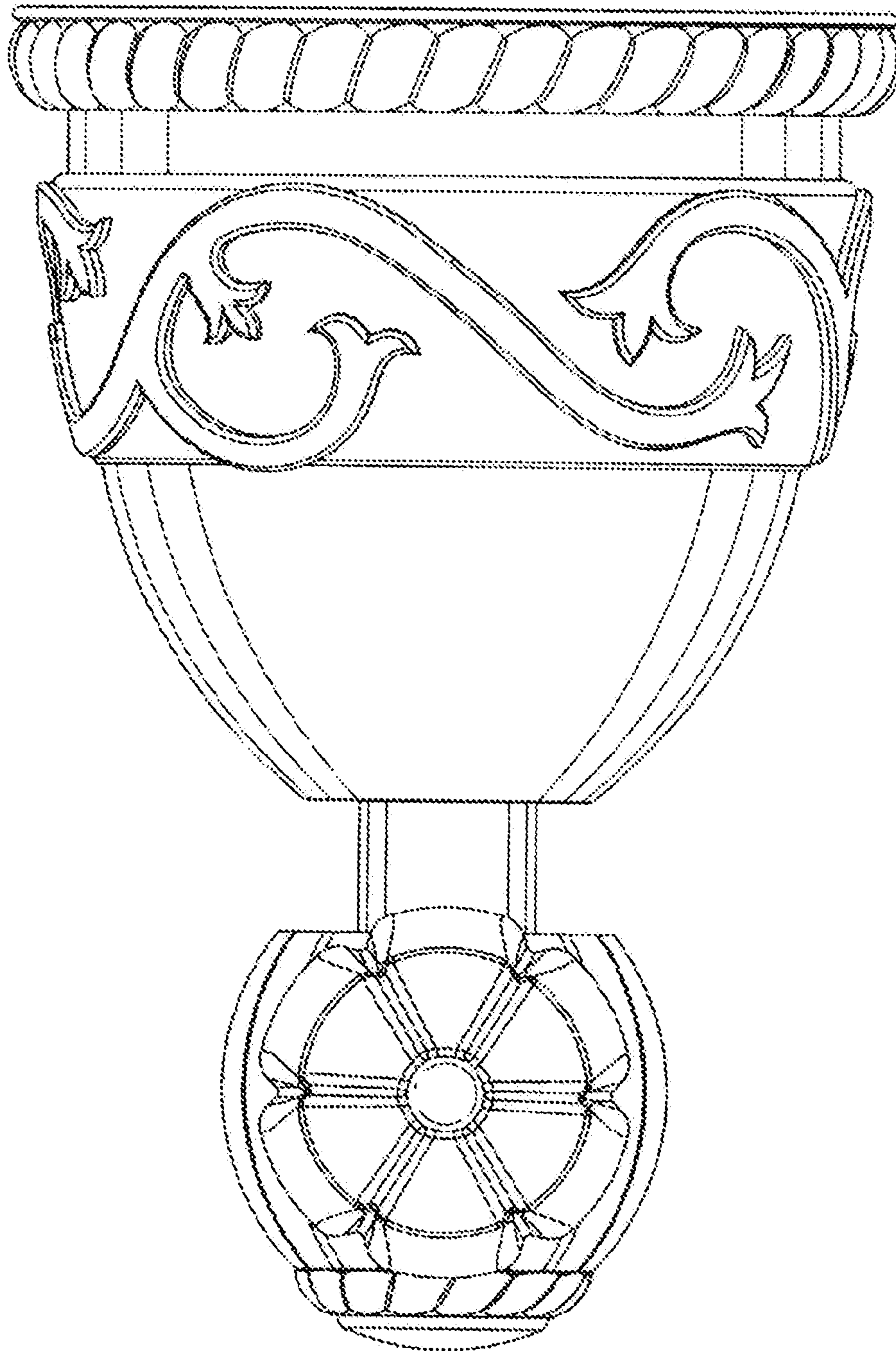


FIG. 5

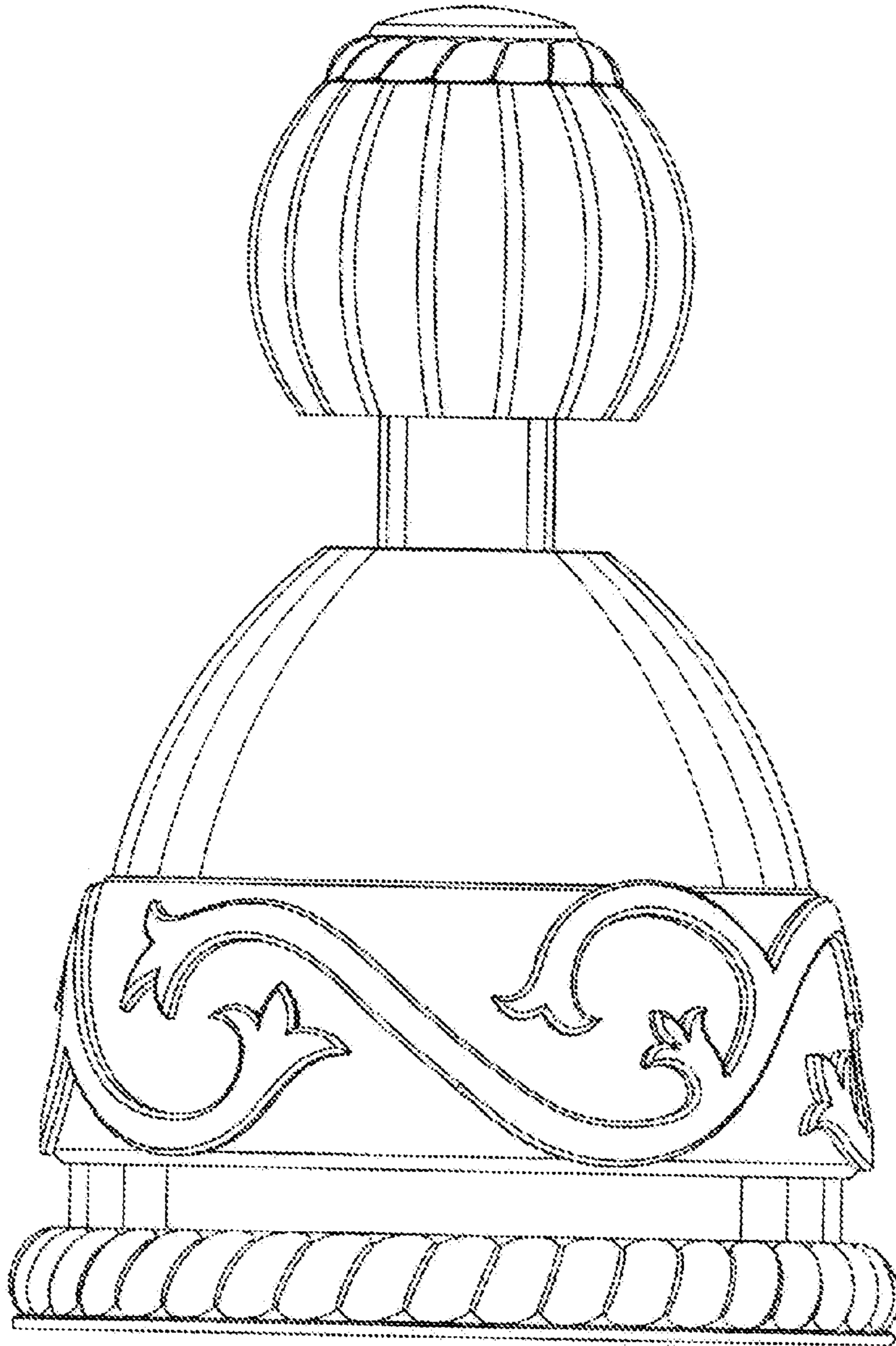


FIG. 6