

US00D540082S

(12) **United States Design Patent**  
**Mandel**

(10) **Patent No.:** **US D540,082 S**

(45) **Date of Patent:** **\*\* Apr. 10, 2007**

(54) **GLOVE DISPENSER**

(75) Inventor: **Logan Flash Mandel**, Los Angeles, CA (US)

(73) Assignee: **GMPC, Inc.**, Santa Monica, CA (US)

(\*\*) Term: **14 Years**

(21) Appl. No.: **29/213,002**

(22) Filed: **Sep. 10, 2004**

(51) **LOC (8) Cl.** ..... **20-02**

(52) **U.S. Cl.** ..... **D6/515**

(58) **Field of Classification Search** ..... D6/515,  
D6/518, 520, 567; 206/389; 211/49.1, 86.01;  
222/173, 181.1; 221/282-283

See application file for complete search history.

(56) **References Cited**

U.S. PATENT DOCUMENTS

D299,686 S	*	2/1989	Jonas et al. ....	D6/515
D353,735 S	*	12/1994	English .....	D6/515
D358,325 S	*	5/1995	McNaughton .....	D6/515
D396,160 S	*	7/1998	Huang .....	D6/567
D414,969 S	*	10/1999	Marino et al. ....	D6/515
D422,828 S	*	4/2000	Kanfer et al. ....	D6/567

\* cited by examiner

*Primary Examiner*—Brian N Vinson

(74) *Attorney, Agent, or Firm*—Christie, Parker & Hale, LLP.

(57) **CLAIM**

The ornamental design for glove dispenser, as shown and described.

**DESCRIPTION**

FIG. 1 is back view of the glove dispenser of the invention.

FIG. 2 is a front view of the glove dispenser of FIG. 1.

FIG. 3 is a right side view of the glove dispenser of FIG. 1.

FIG. 4 is a top plan view of the glove dispenser of FIG. 1.

FIG. 5 is a bottom view of the glove dispenser of FIG. 1.

FIG. 6 is a top right front perspective view of the glove dispenser of FIG. 1.

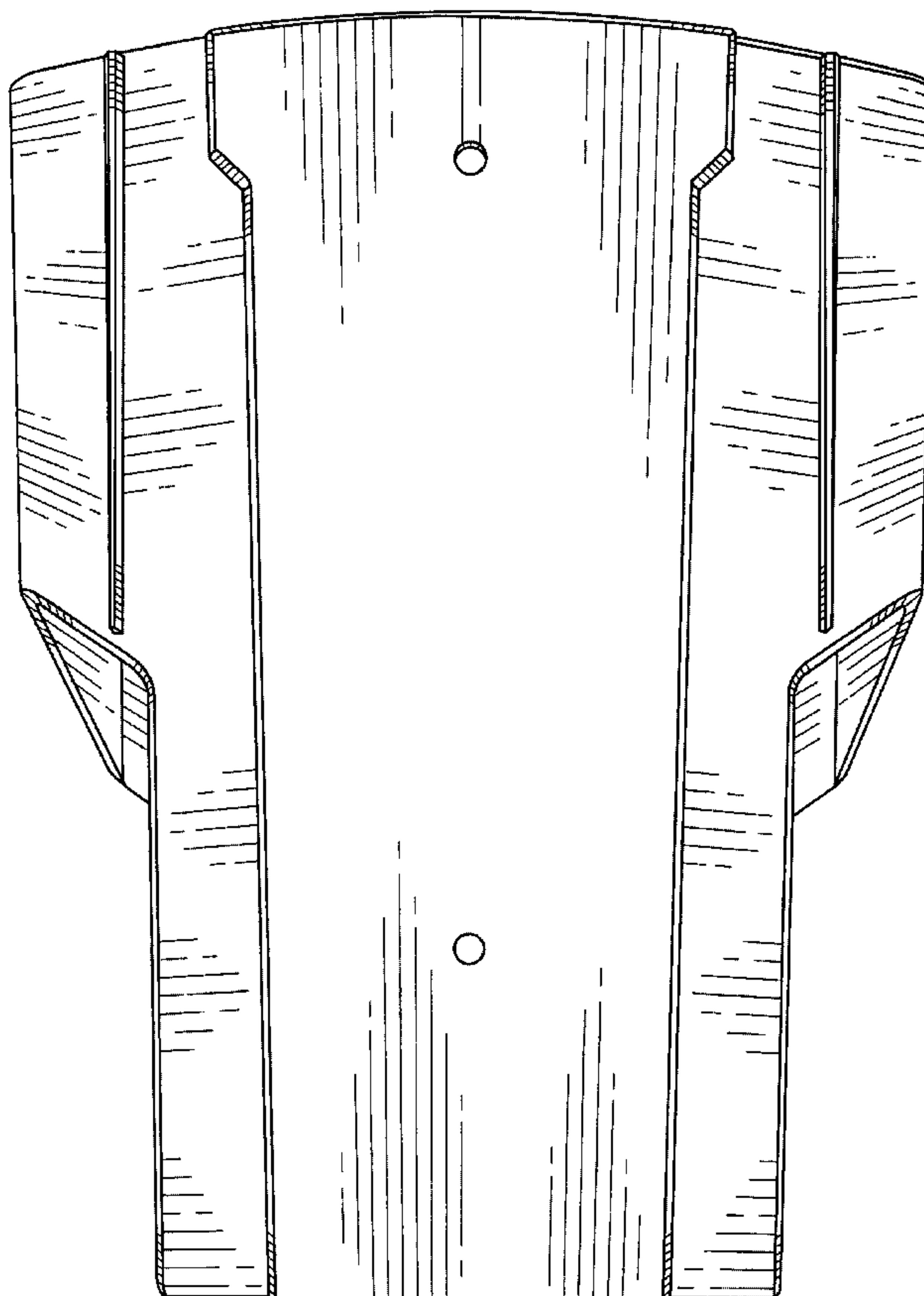
FIG. 7 is a bottom right front perspective view of the glove dispenser of FIG. 1.

FIG. 8 is a back right side perspective view of the glove dispenser of FIG. 1; and,

FIG. 9 is a top perspective view of the glove dispenser of FIG. 1.

The left side view of the glove dispenser of FIG. 1 is a mirror image of the right side view of the glove dispenser of FIG. 3.

**1 Claim, 9 Drawing Sheets**



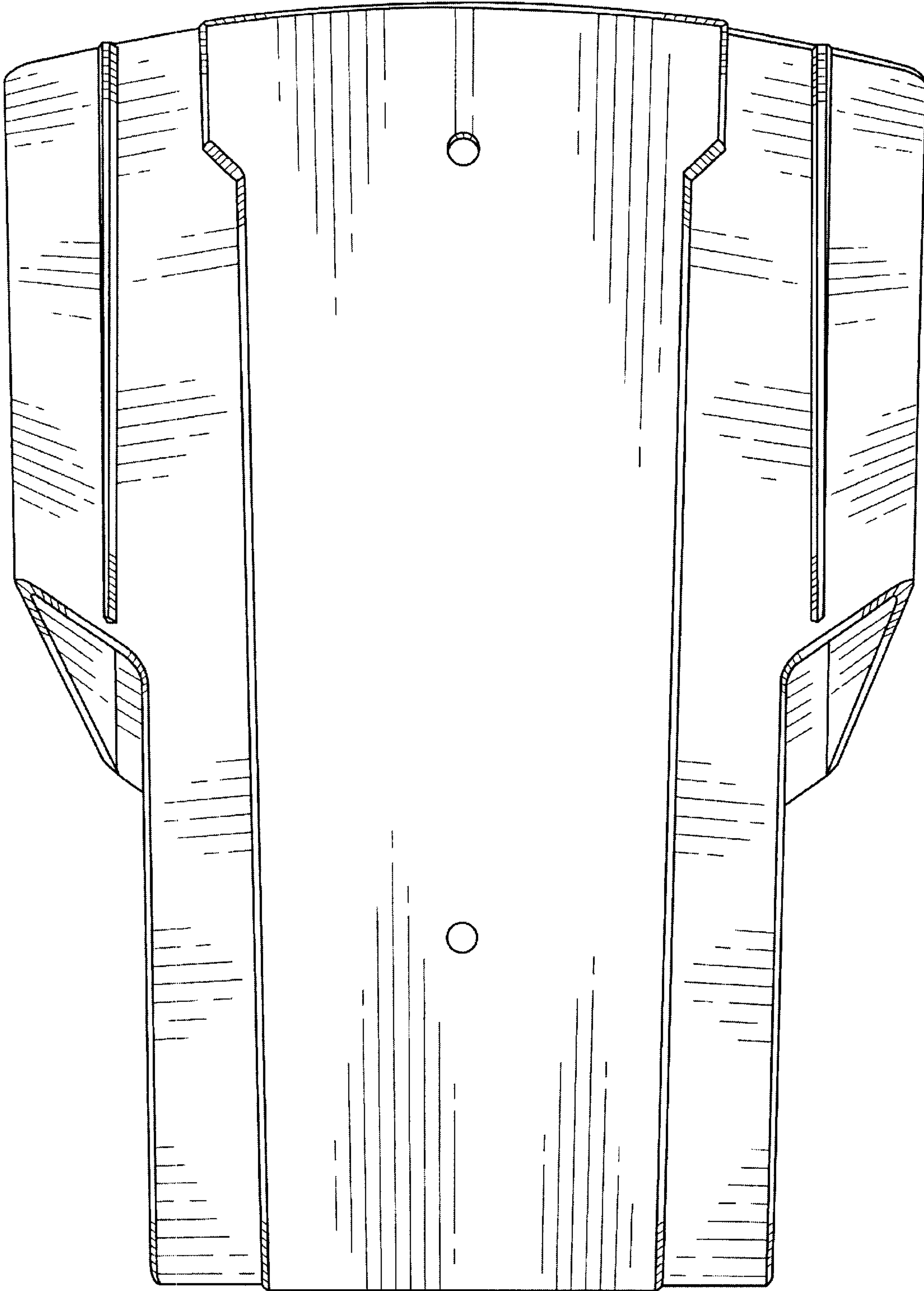


FIG-1

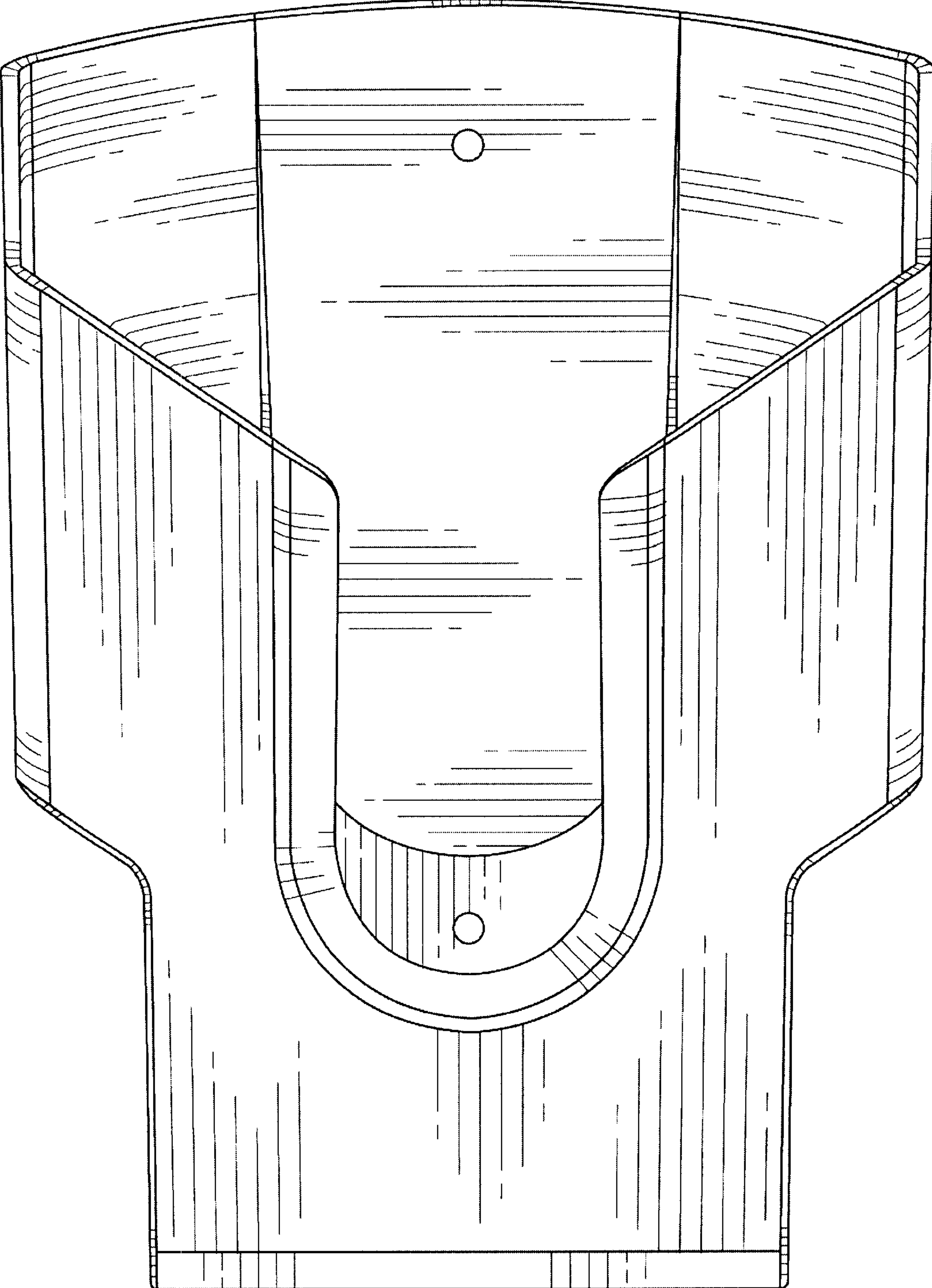


FIG-2

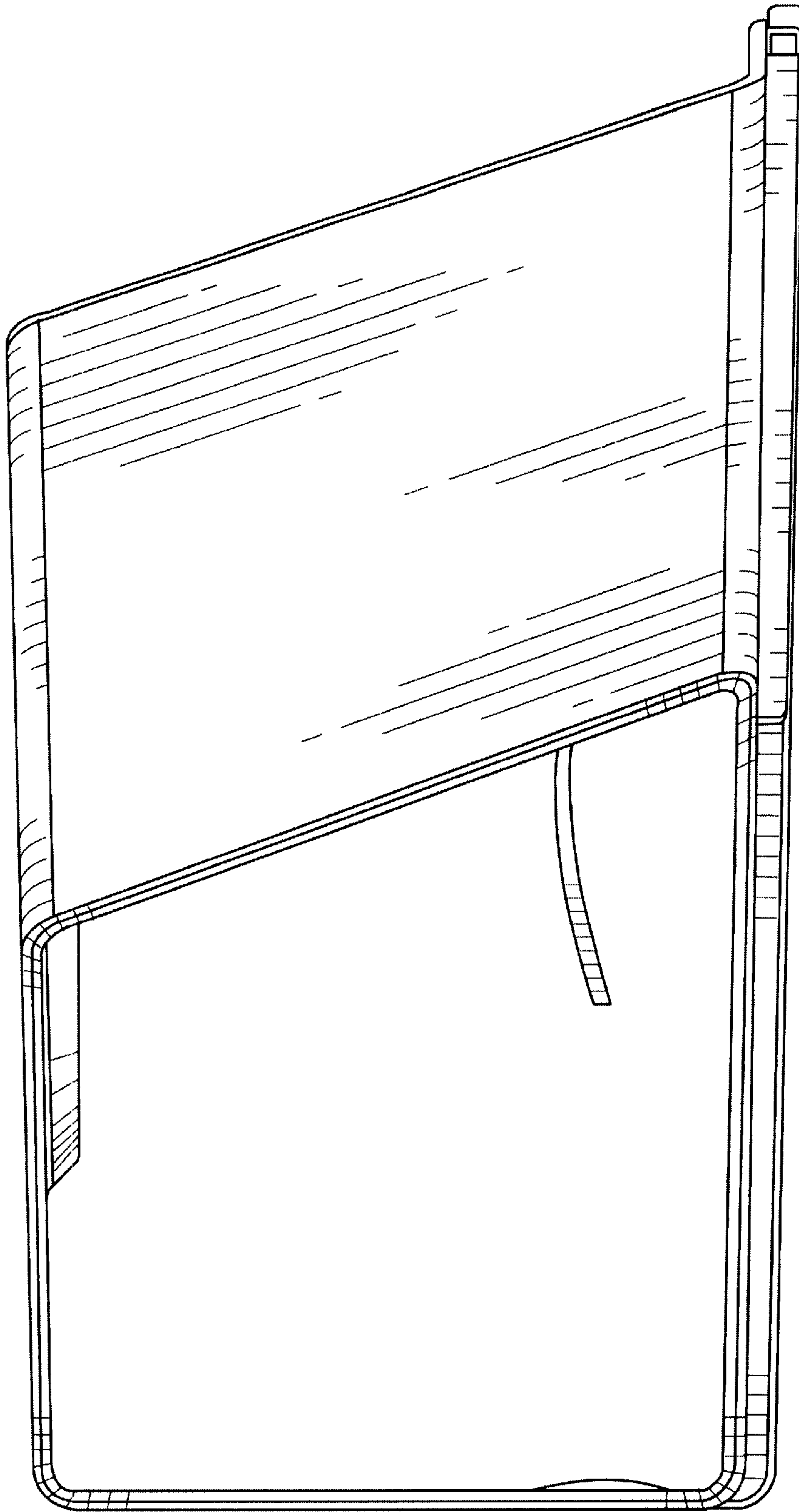


FIG-3



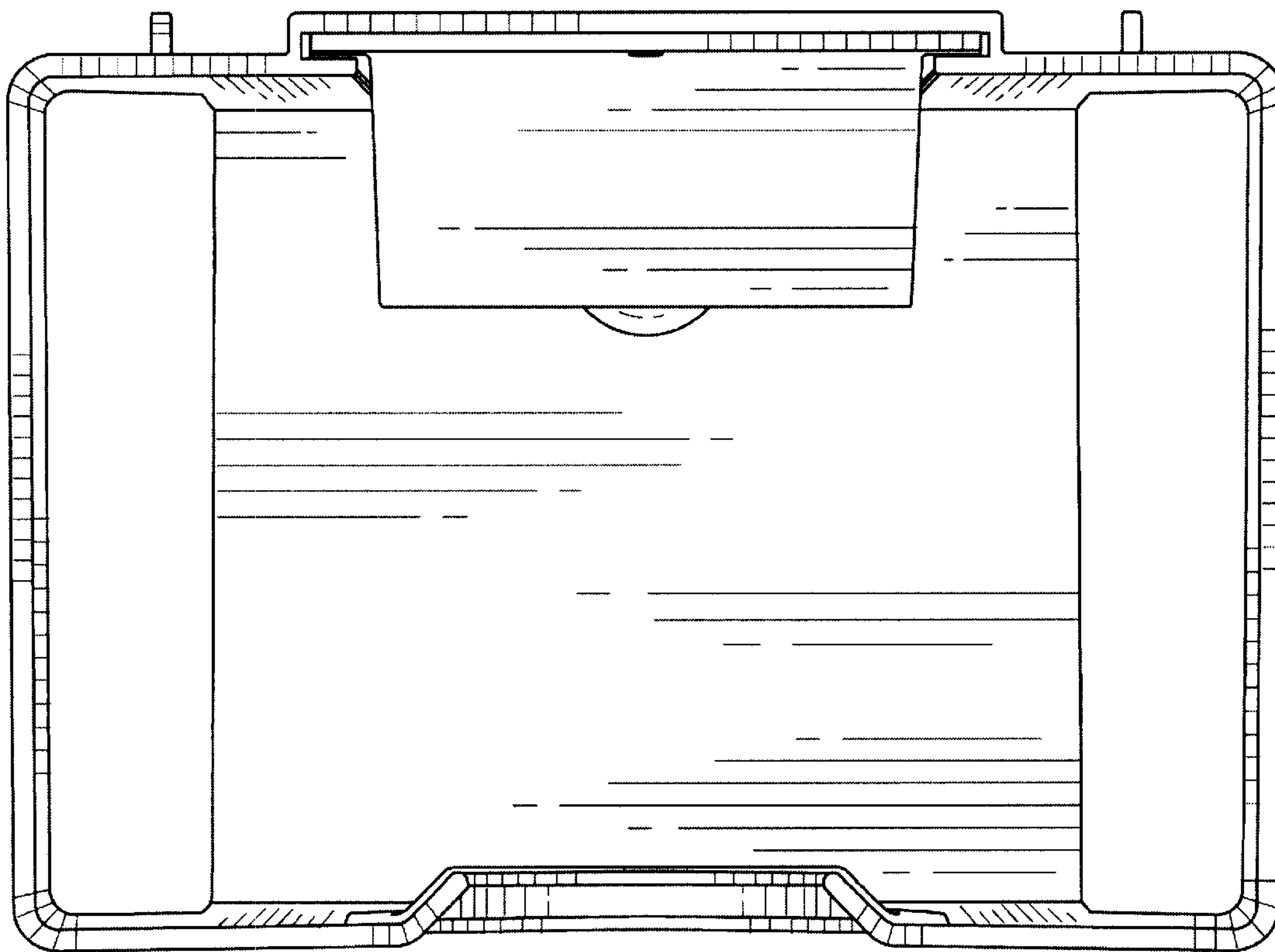


FIG-4

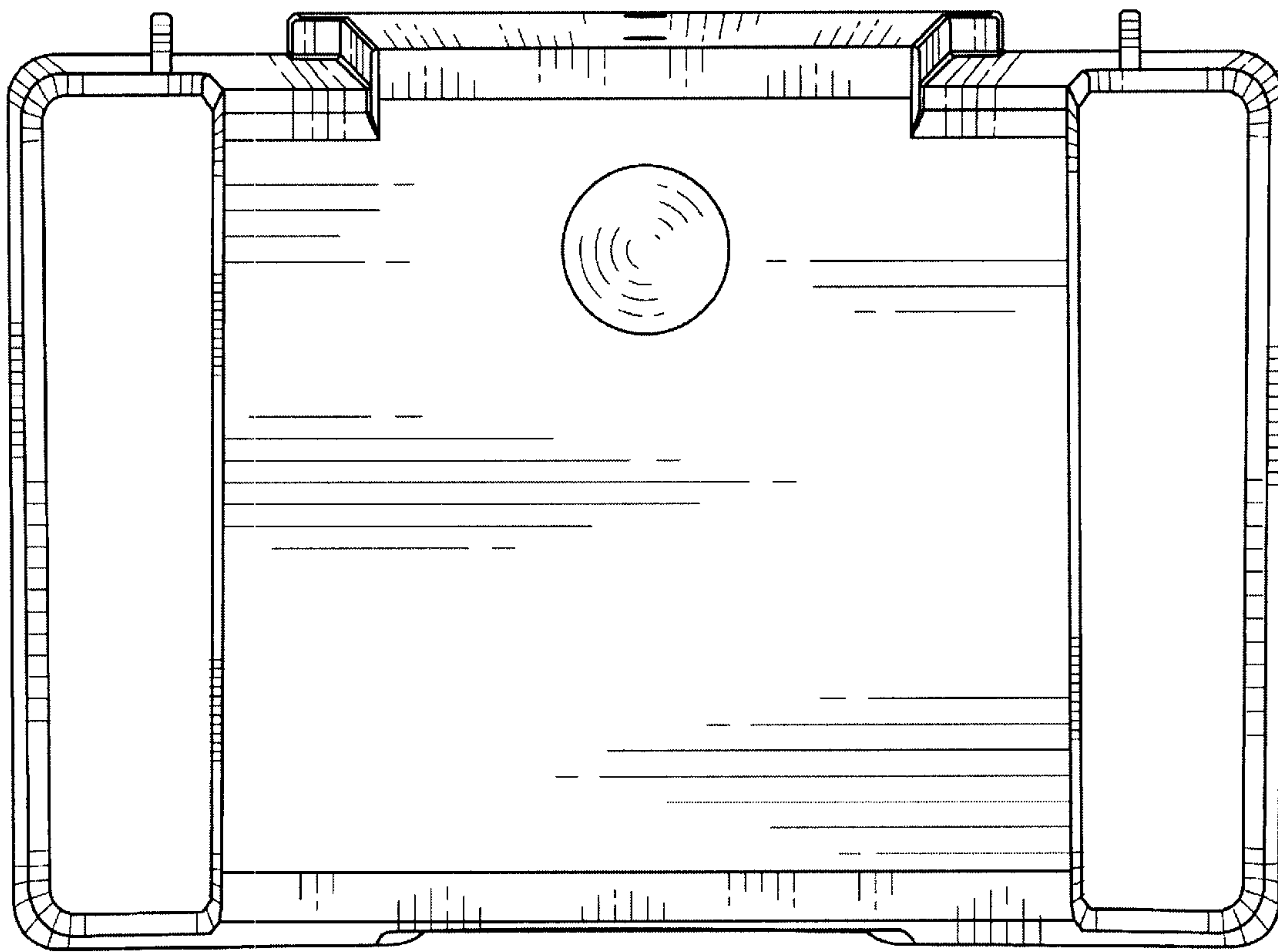


FIG-5

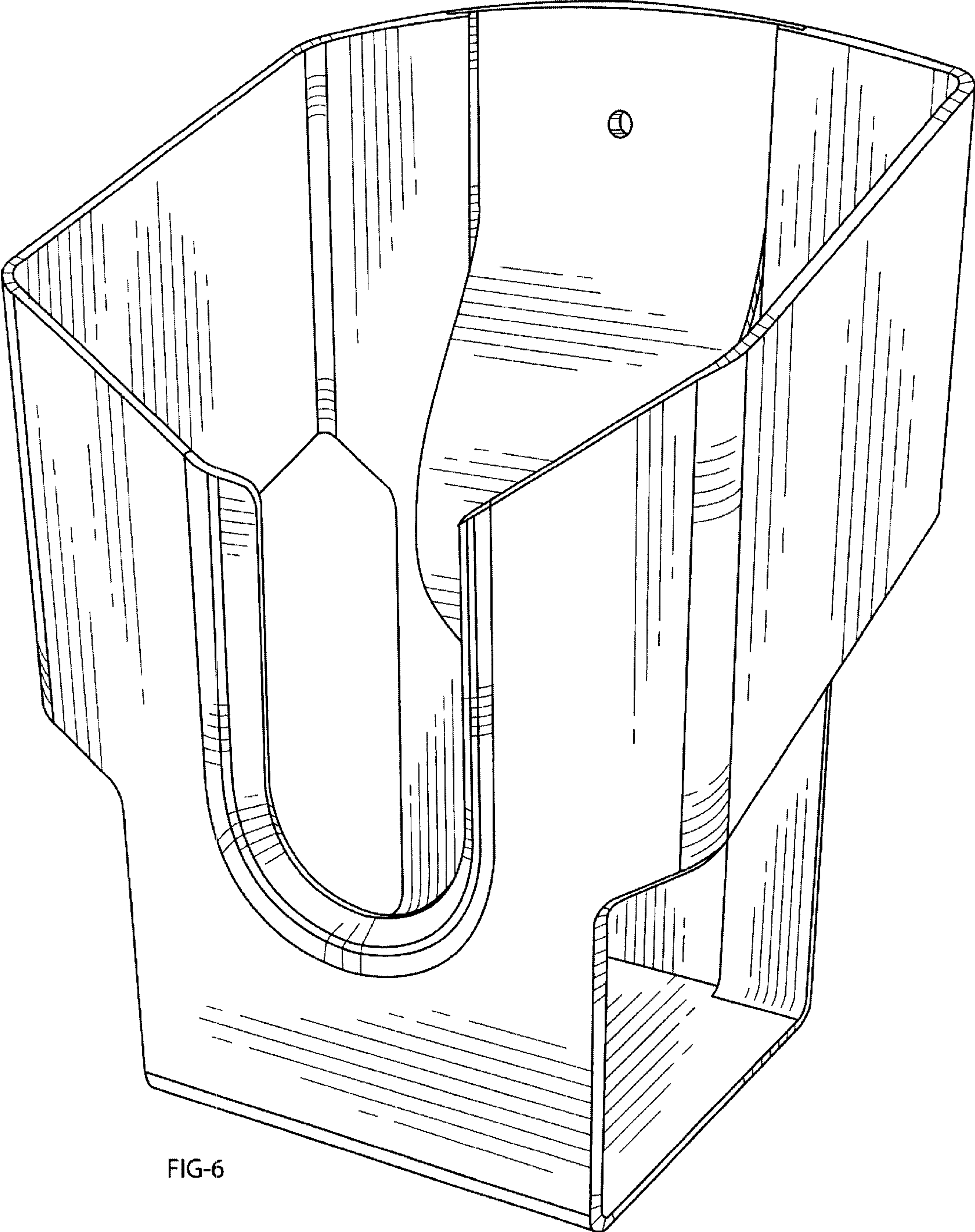


FIG-6

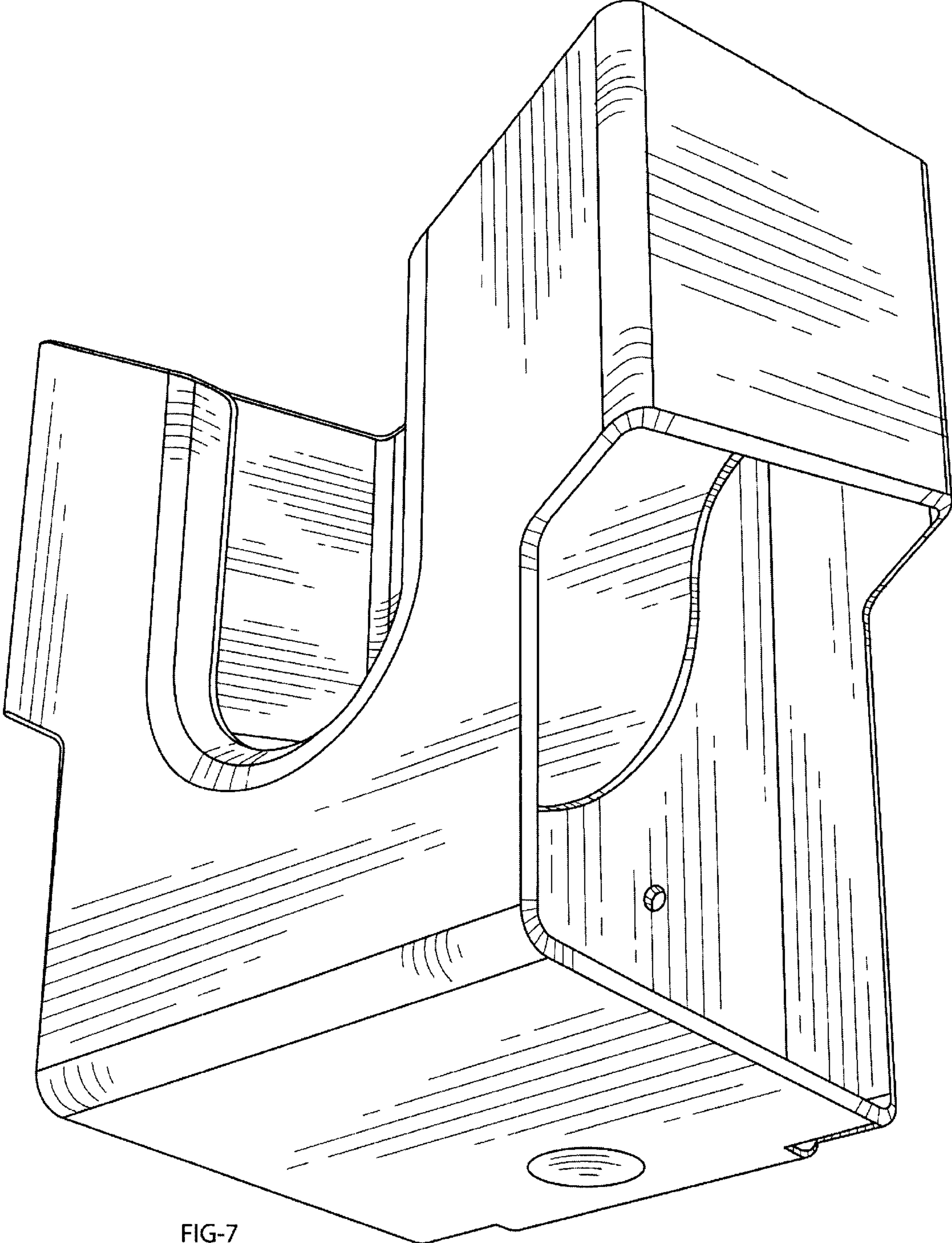


FIG-7



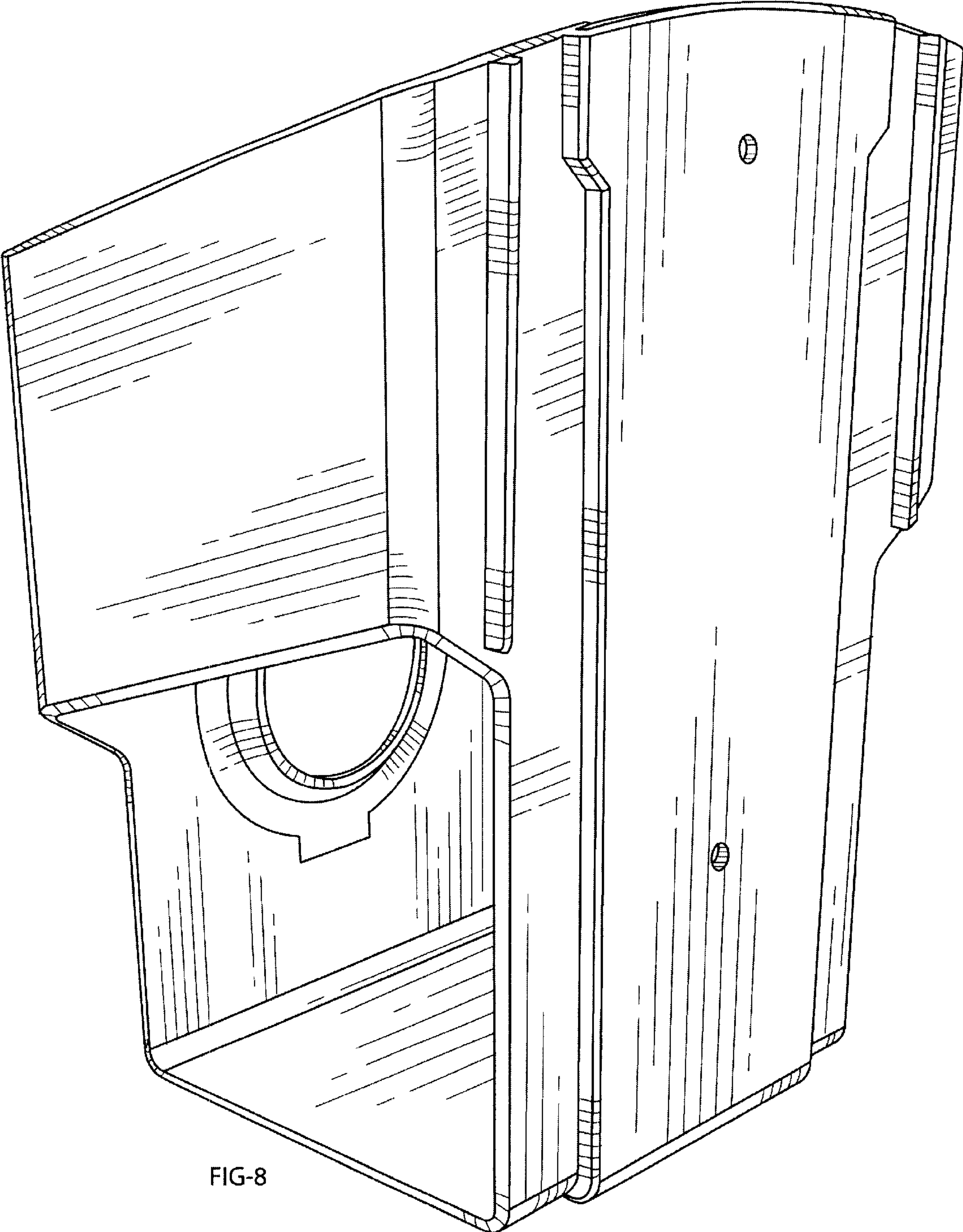


FIG-8

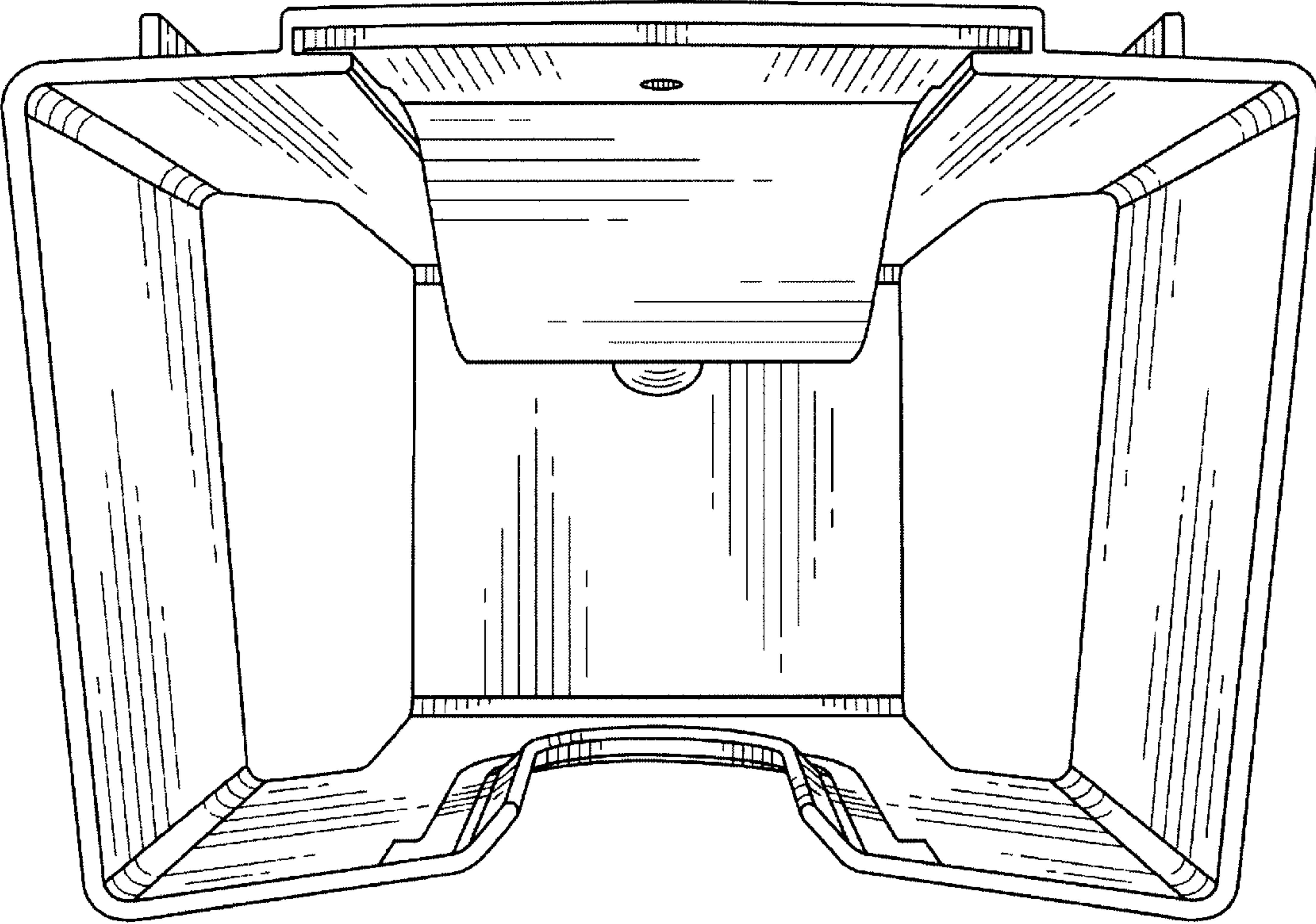


FIG-9

UNITED STATES PATENT AND TRADEMARK OFFICE  
**CERTIFICATE OF CORRECTION**

PATENT NO. : Des. 540,082 S  
APPLICATION NO. : 29/213002  
DATED : April 10, 2007  
INVENTOR(S) : Mandel

Page 1 of 1

It is certified that error appears in the above-identified patent and that said Letters Patent is hereby corrected as shown below:

**On the Title Page**

Item (73) Assignee

Delete "Inc.",  
Insert --LLC.--

Signed and Sealed this

Twenty-seventh Day of November, 2007

A handwritten signature in black ink on a light gray dotted background. The signature reads "Jon W. Dudas" in a cursive style.

JON W. DUDAS

*Director of the United States Patent and Trademark Office*