

US00D540074S

(12) **United States Design Patent**  
**Peters**

(10) **Patent No.:** **US D540,074 S**

(45) **Date of Patent:** **\*\* Apr. 10, 2007**

(54) **FOOTREST LEG**

(75) **Inventor:** **Samuel M. Peters**, Savannah, GA (US)

(73) **Assignee:** **Release Marine**, Savannah, GA (US)

(\*\*) **Term:** **14 Years**

(21) **Appl. No.:** **29/235,833**

(22) **Filed:** **Aug. 8, 2005**

(51) **LOC (8) Cl.** ..... **06-06**

(52) **U.S. Cl.** ..... **D6/501**

(58) **Field of Classification Search** ..... D6/334-336,  
D6/360, 364, 365-368, 379-380, 500-502;  
D12/131; 280/250.1, 304.1, 650; 297/68,  
297/69, 70, 76, DIG. 4, 423.2, 423.25, 423.29  
See application file for complete search history.

(56) **References Cited**

**U.S. PATENT DOCUMENTS**

- 5,020,815 A \* 6/1991 Harris et al. .... 297/DIG. 4
- 5,211,414 A \* 5/1993 Galumbeck ..... 280/250.1
- 5,356,172 A \* 10/1994 Levy et al. .... 280/650
- D444,307 S \* 7/2001 Minami ..... D6/360
- D444,326 S \* 7/2001 Minami ..... D6/500
- D444,636 S \* 7/2001 Ooyama ..... D6/360

- D450,955 S \* 11/2001 Minami ..... D6/500
- D455,303 S \* 4/2002 Ooyama ..... D6/500
- D455,377 S \* 4/2002 Suiter ..... D12/131
- D457,006 S \* 5/2002 Ooyama ..... D6/360
- D460,389 S \* 7/2002 Wang ..... D12/131
- 2005/0179230 A1 \* 8/2005 Leffler ..... 280/304.1

\* cited by examiner

*Primary Examiner*—Mimosa De

(74) *Attorney, Agent, or Firm*—Nixon & Vanderhye P.C.

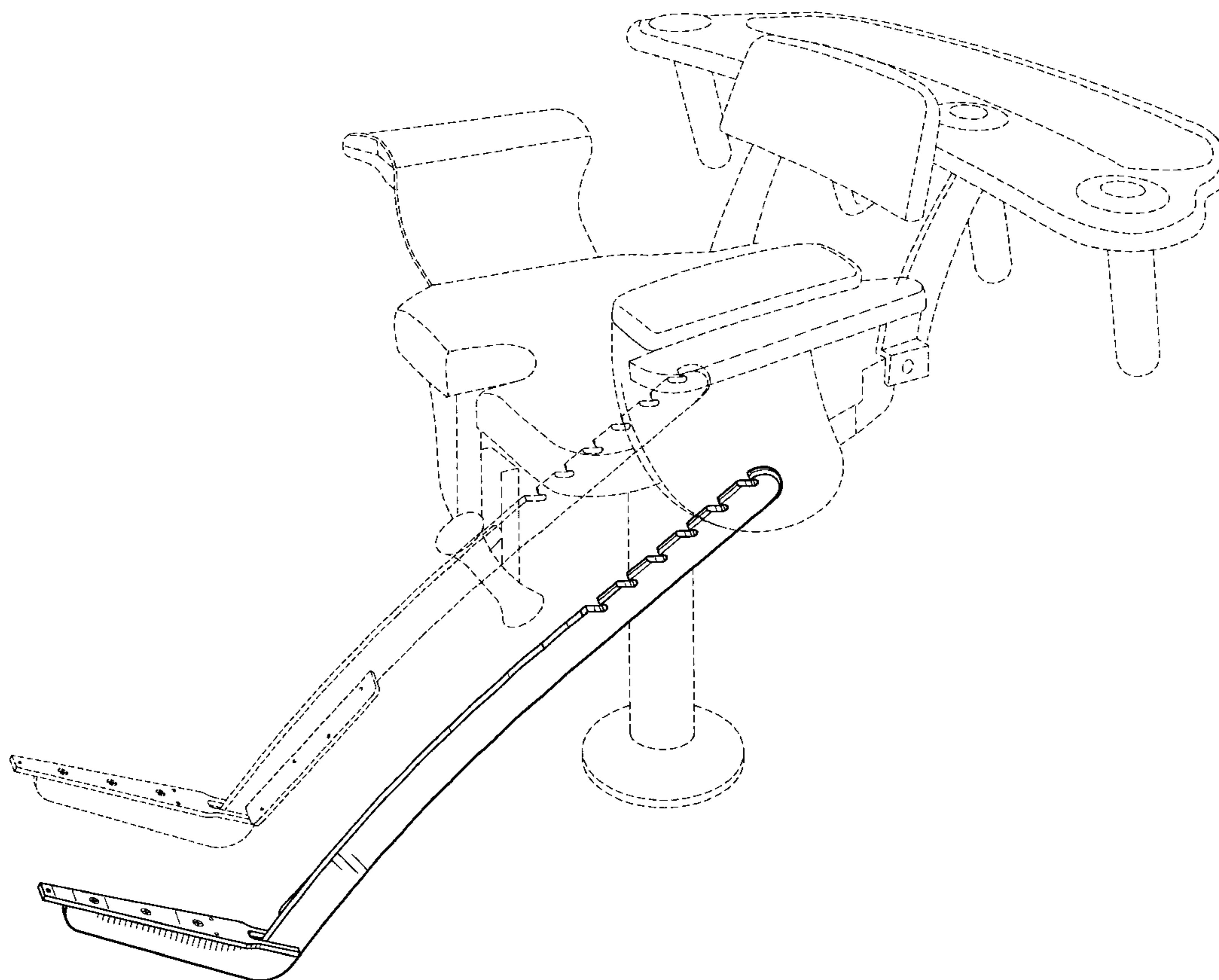
(57) **CLAIM**

The ornamental design for a “footrest leg,” as shown and described.

**DESCRIPTION**

FIG. 1 is a perspective view of the footrest leg according to the present invention;  
 FIG. 2 is a front view thereof;  
 FIG. 3 is a rear view thereof;  
 FIG. 4 is a top view thereof;  
 FIG. 5 is a bottom view thereof;  
 FIG. 6 is a left side view thereof;  
 FIG. 7 is a right side view thereof; and,  
 FIG. 8 is a perspective view showing a use environment of the footrest leg.

**1 Claim, 6 Drawing Sheets**



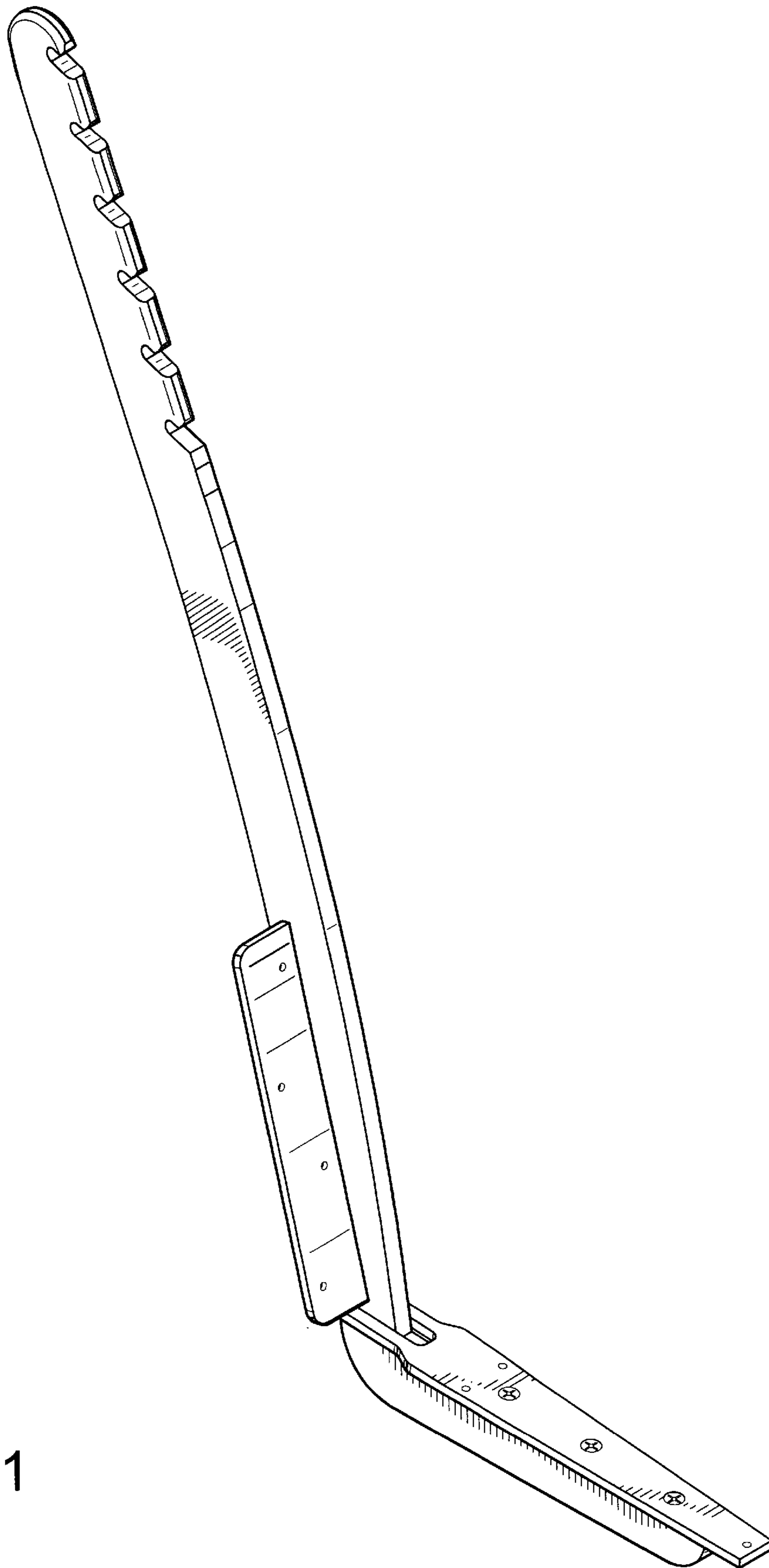


Fig. 1

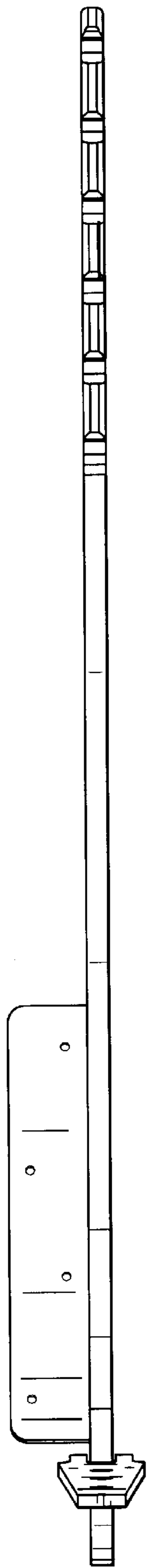


Fig.2

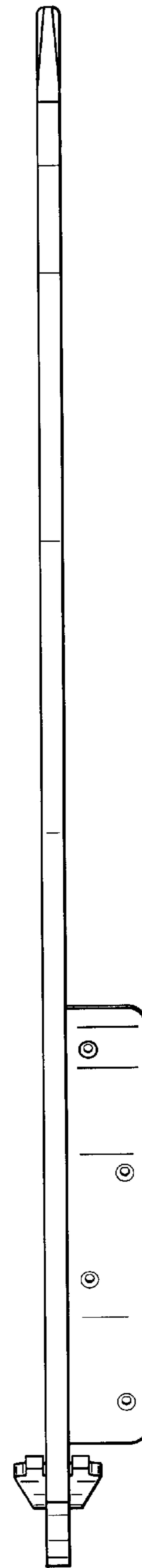


Fig.3

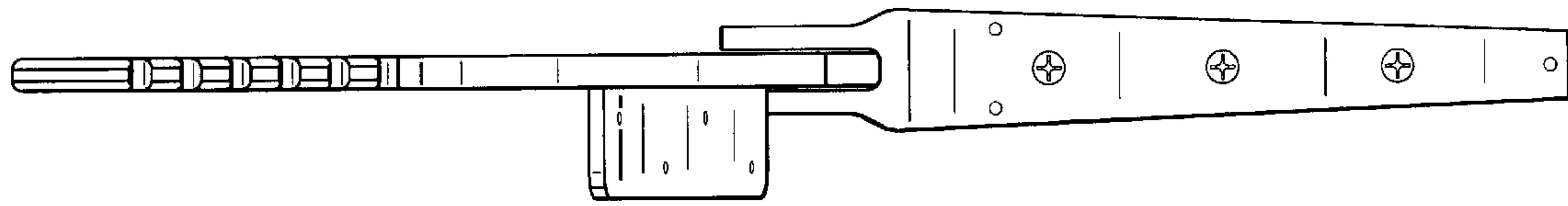


Fig.4

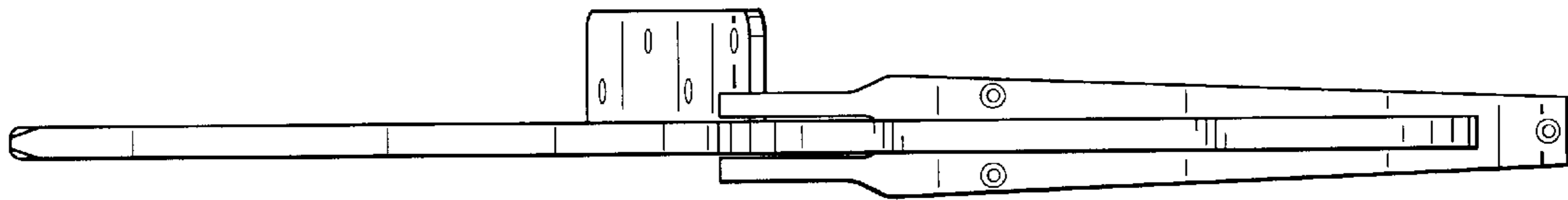


Fig.5

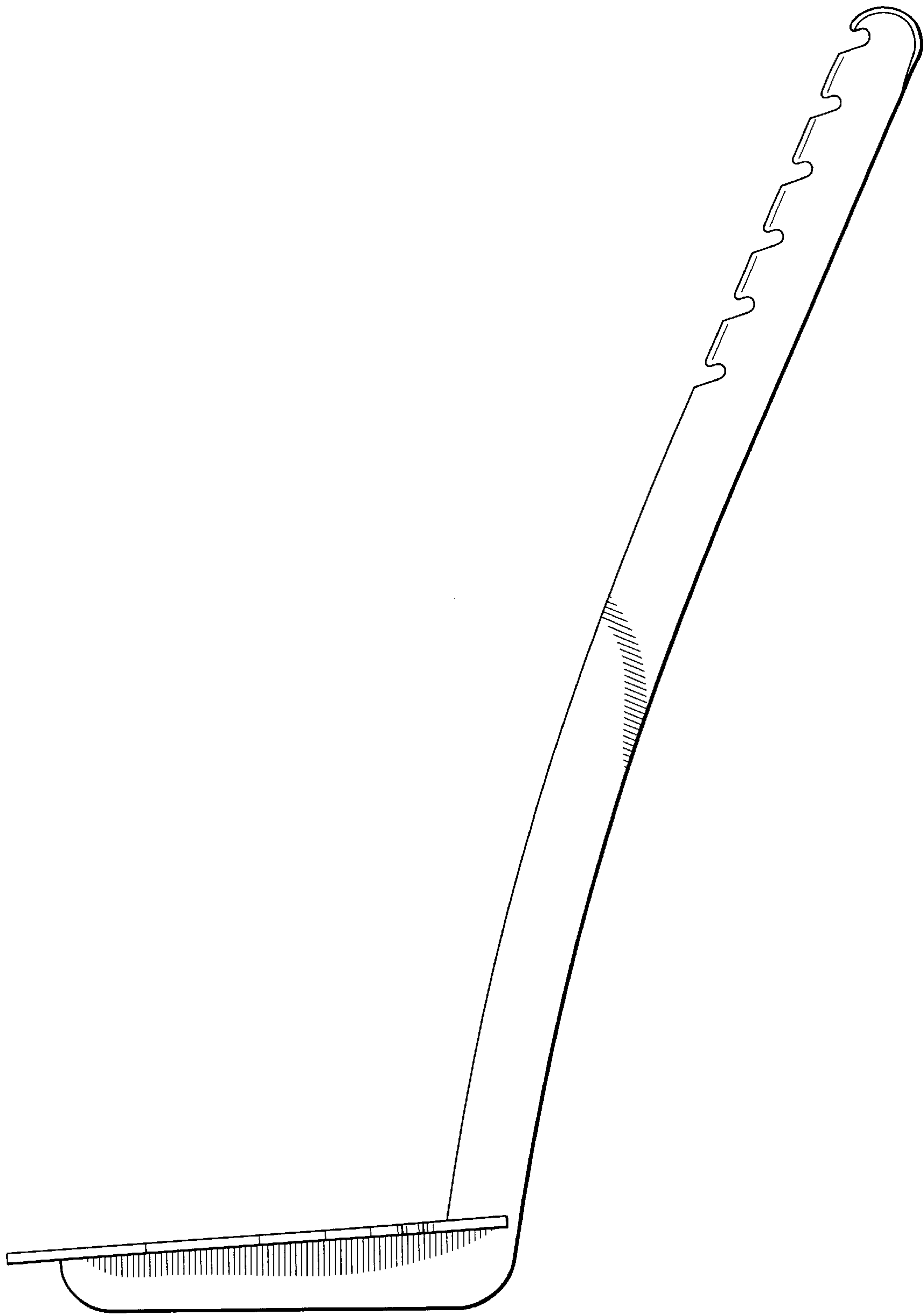


Fig.6

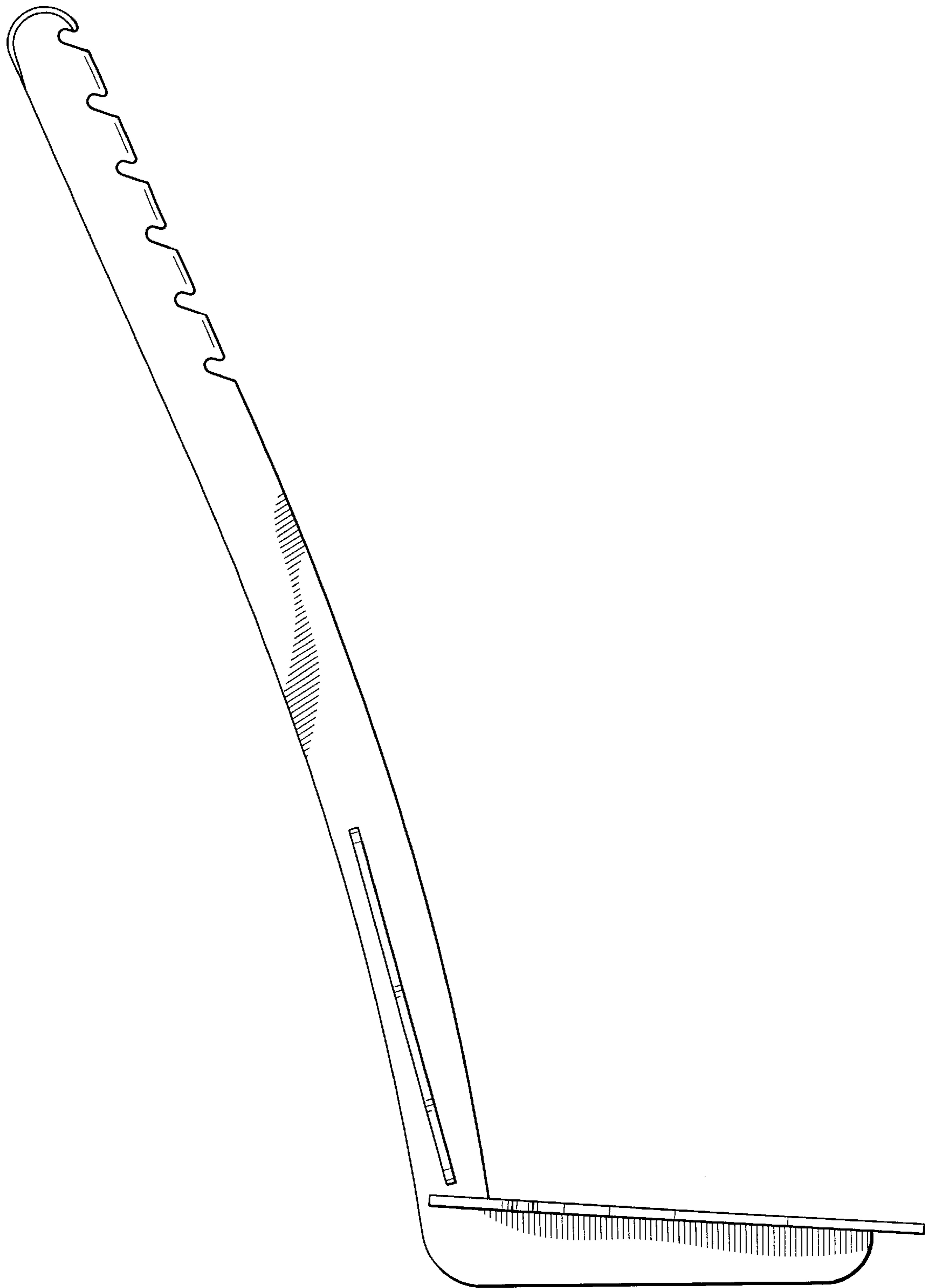


Fig.7

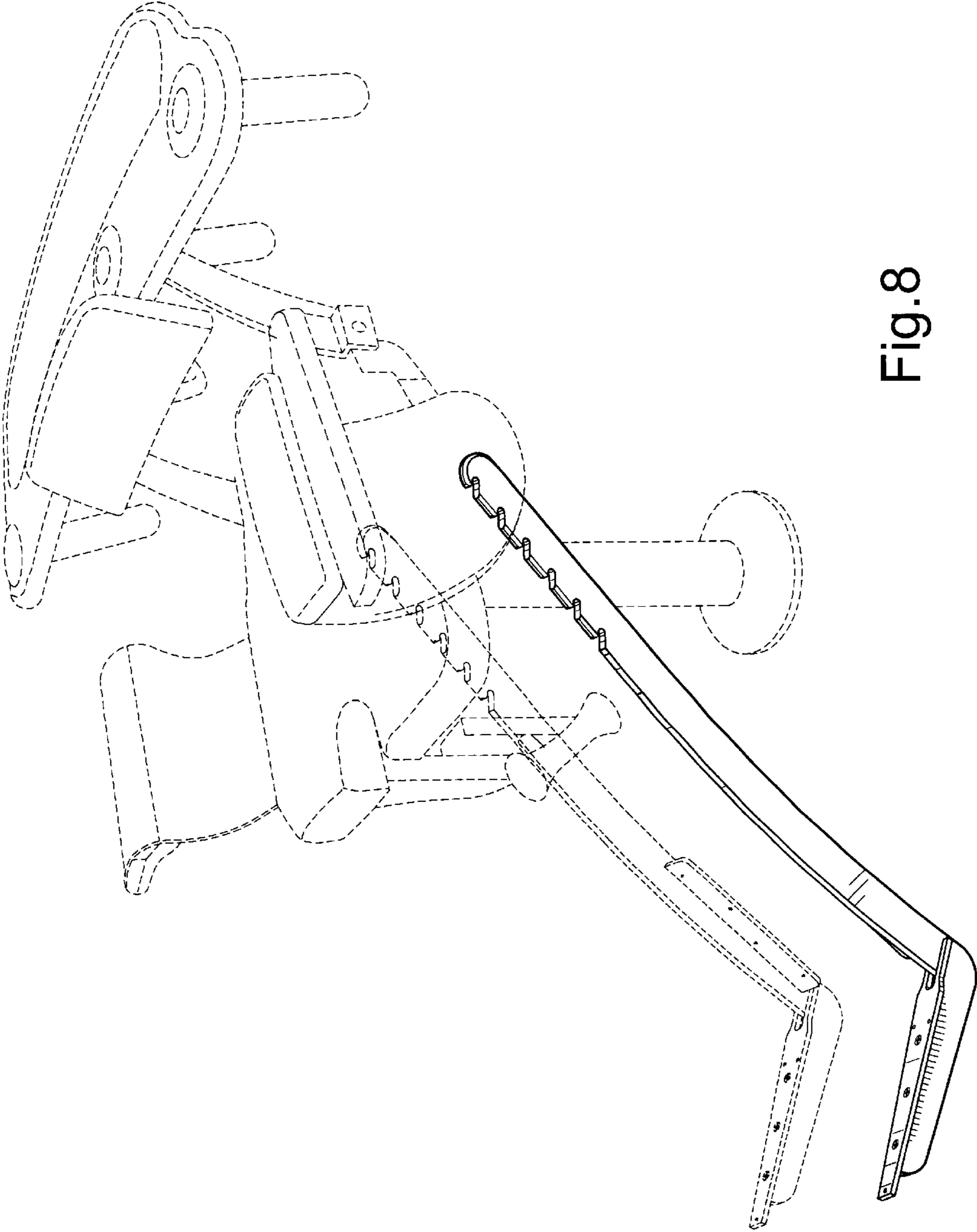


Fig.8