



US00D540072S

(12) **United States Design Patent**
Steinman

(10) **Patent No.:** **US D540,072 S**

(45) **Date of Patent:** **** Apr. 10, 2007**

(54) **CORNER STAND**

(76) Inventor: **Heidi Steinman**, 269 Executive Dr.,
Troy, MI (US) 48083

(**) Term: **14 Years**

(21) Appl. No.: **29/235,564**

(22) Filed: **Aug. 3, 2005**

(51) **LOC (8) Cl.** **06-03**

(52) **U.S. Cl.** **D6/487; D6/489**

(58) **Field of Classification Search** D6/480-489,
D6/495, 499, 511, 449; 108/153.1, 155, 156,
108/157.1, 150, 161; 248/188, 188.1
See application file for complete search history.

(56) **References Cited**

U.S. PATENT DOCUMENTS

- D176,183 S * 11/1955 Goldman et al. D6/349
- D267,211 S * 12/1982 Farrell D6/468
- D280,164 S * 8/1985 Berry, Jr. D6/489

- D352,409 S * 11/1994 Hosoe D6/482
- D405,631 S * 2/1999 Burdick et al. D6/487
- D488,647 S * 4/2004 Ford et al. D6/489

* cited by examiner

Primary Examiner—Janice E. Seeger
(74) *Attorney, Agent, or Firm*—Gifford, Krass, Groh,
Sprinkle, Anderson & Citkowski, P.C.

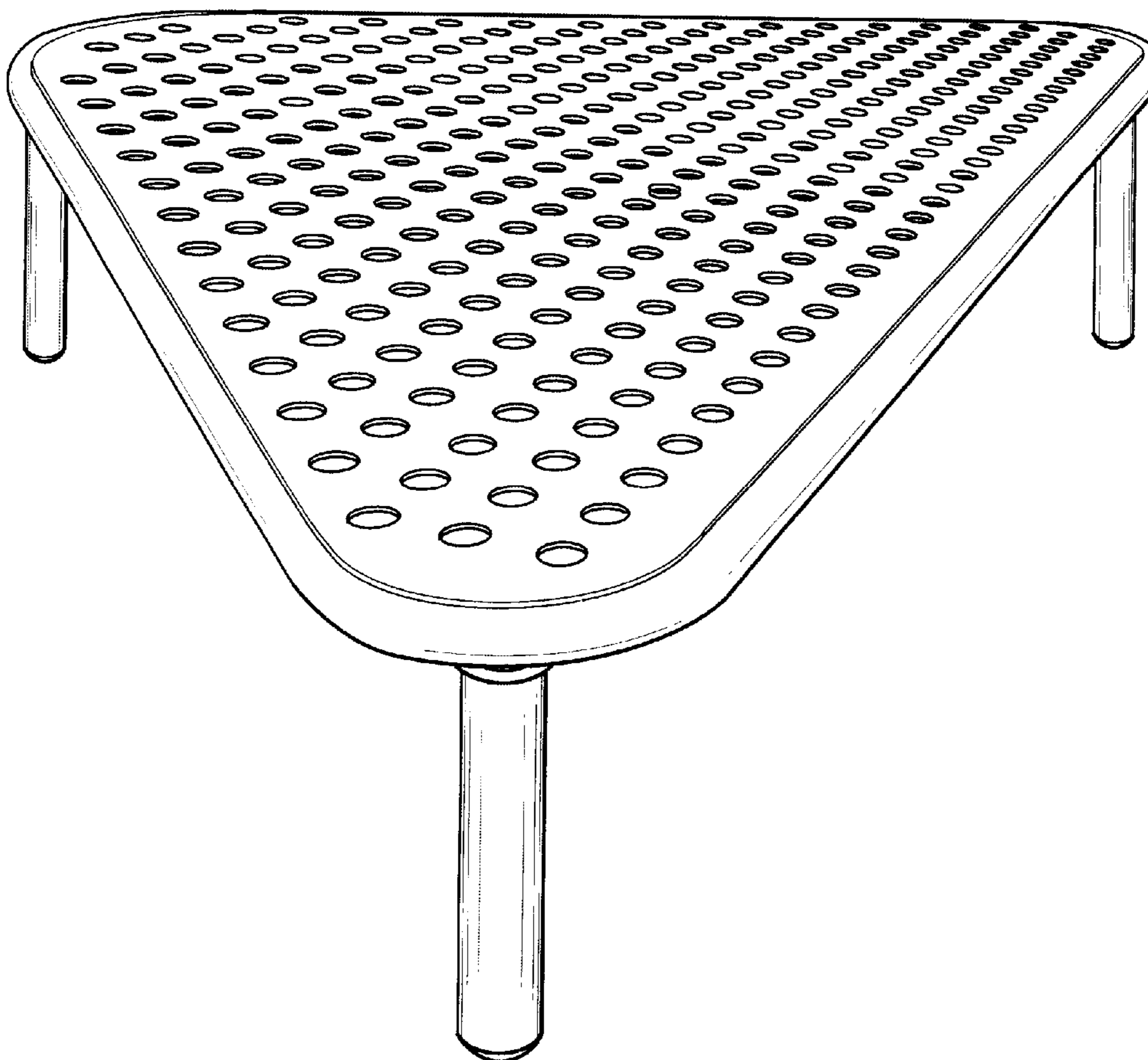
(57) **CLAIM**

I claim the ornamental design for a corner stand, as shown and described.

DESCRIPTION

FIG. 1 is a top perspective view of a corner stand;
FIG. 2 is a top view of a corner stand;
FIG. 3 is a bottom view;
FIG. 4 is a side view;
FIG. 5 is a front view; and,
FIG. 6 is a rear view.

1 Claim, 4 Drawing Sheets



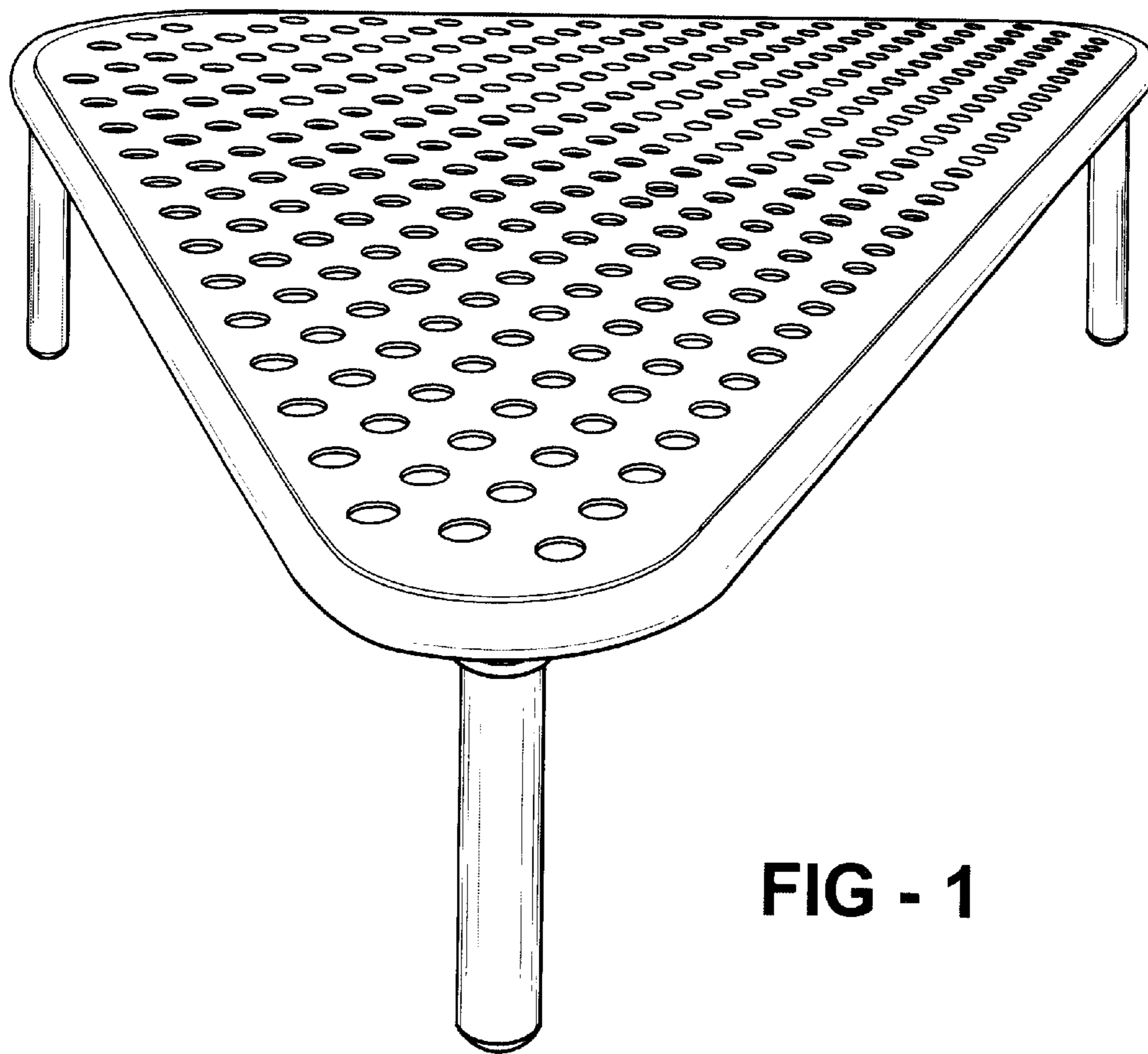
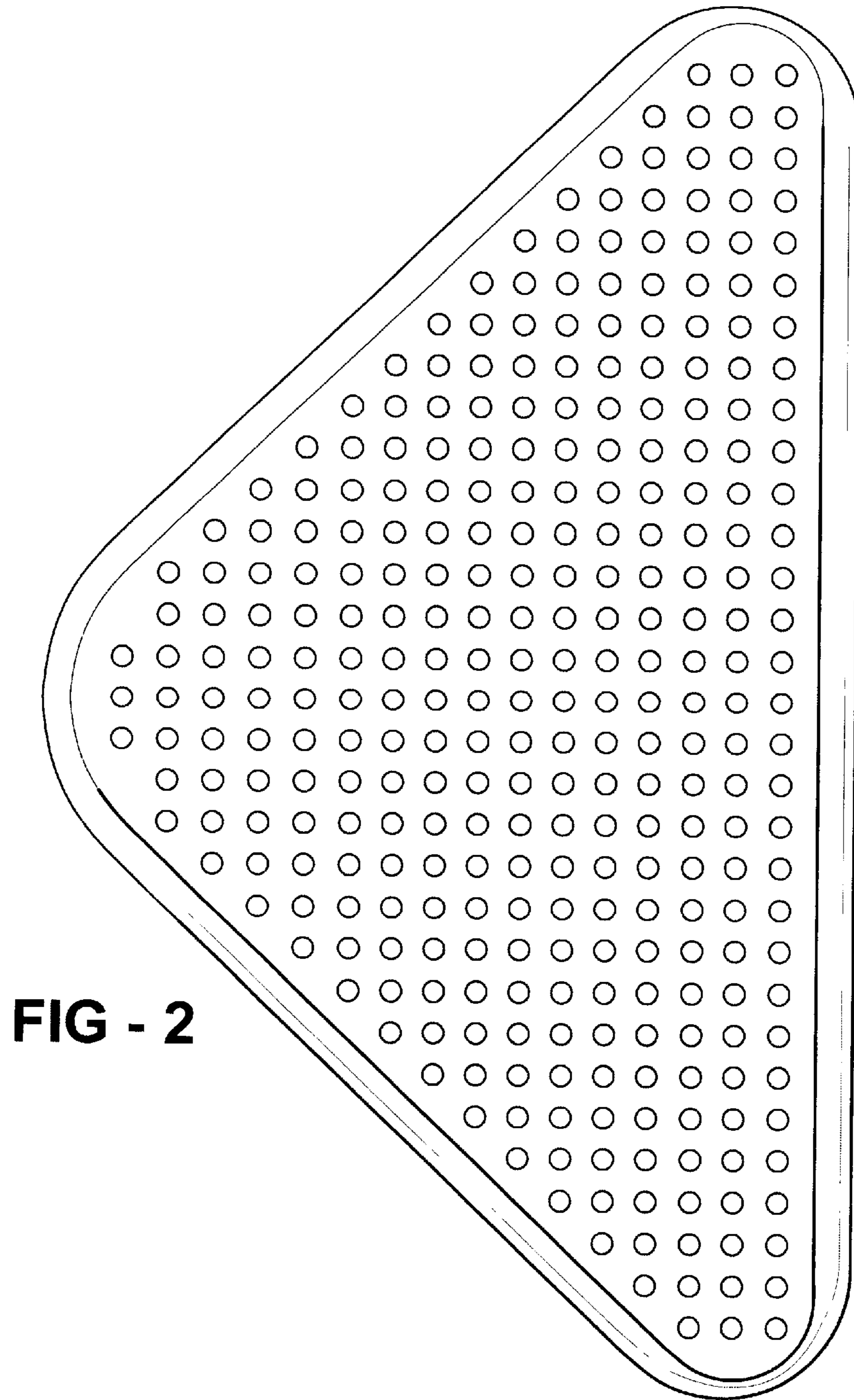


FIG - 1



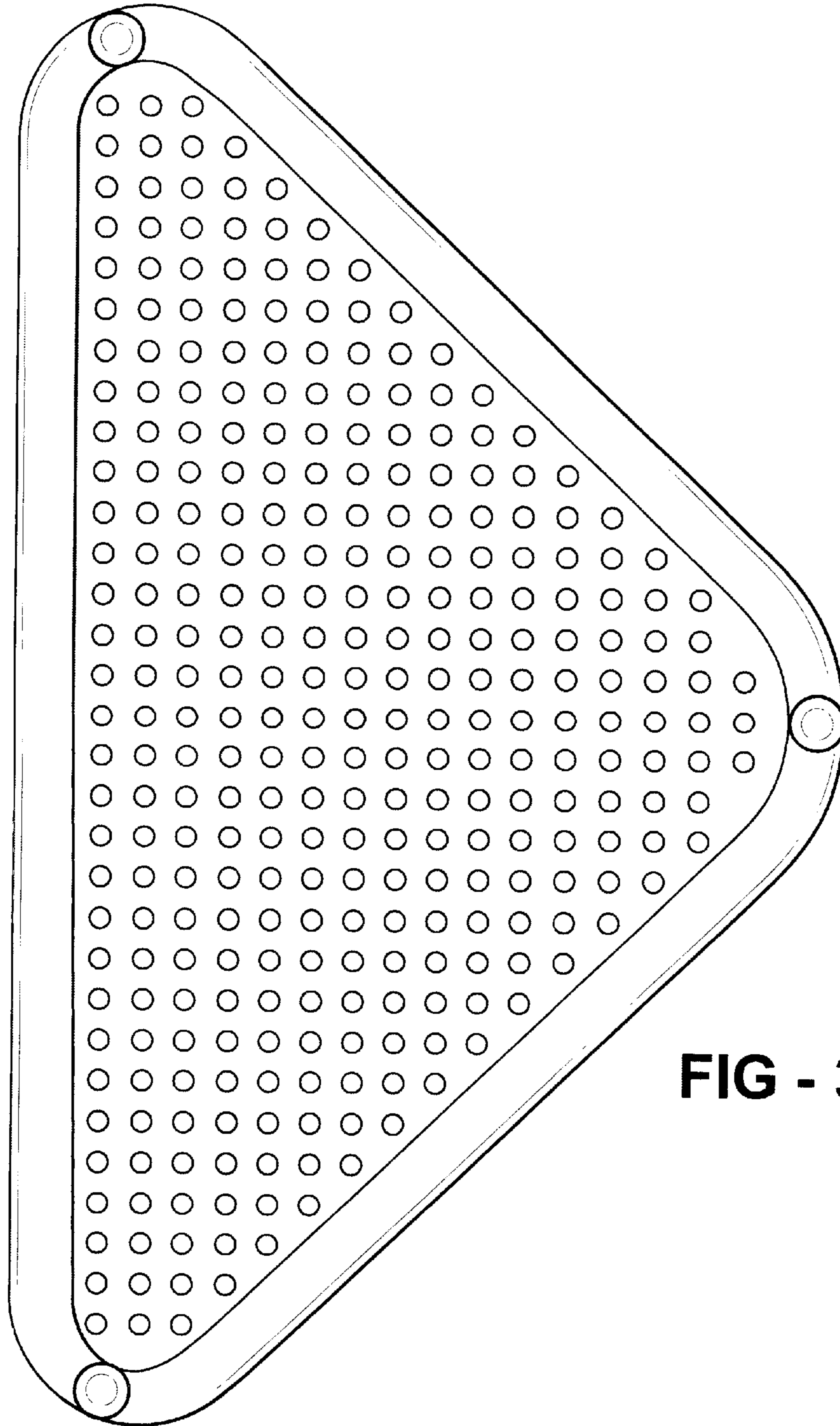


FIG - 3



FIG - 4

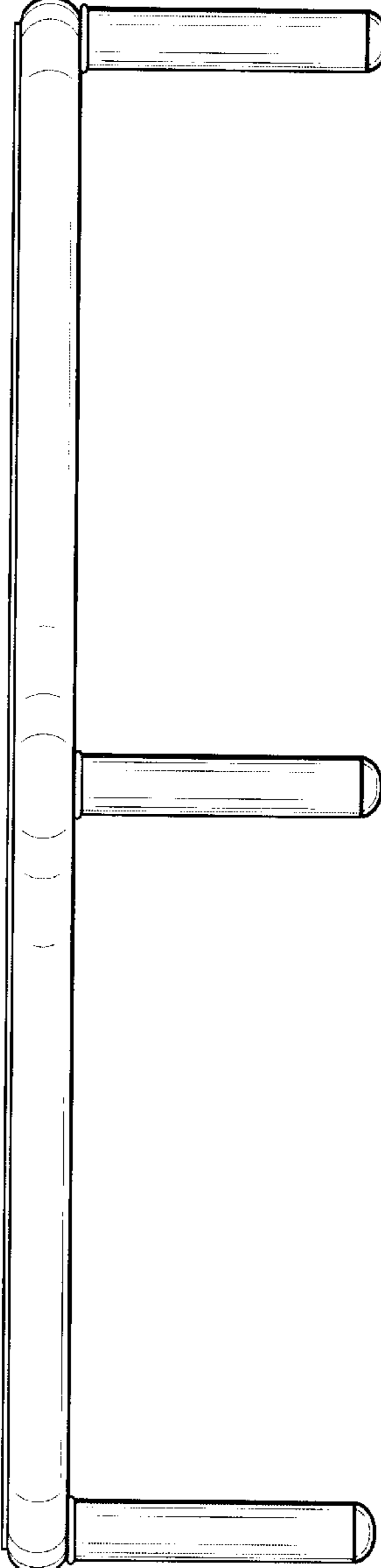


FIG - 5

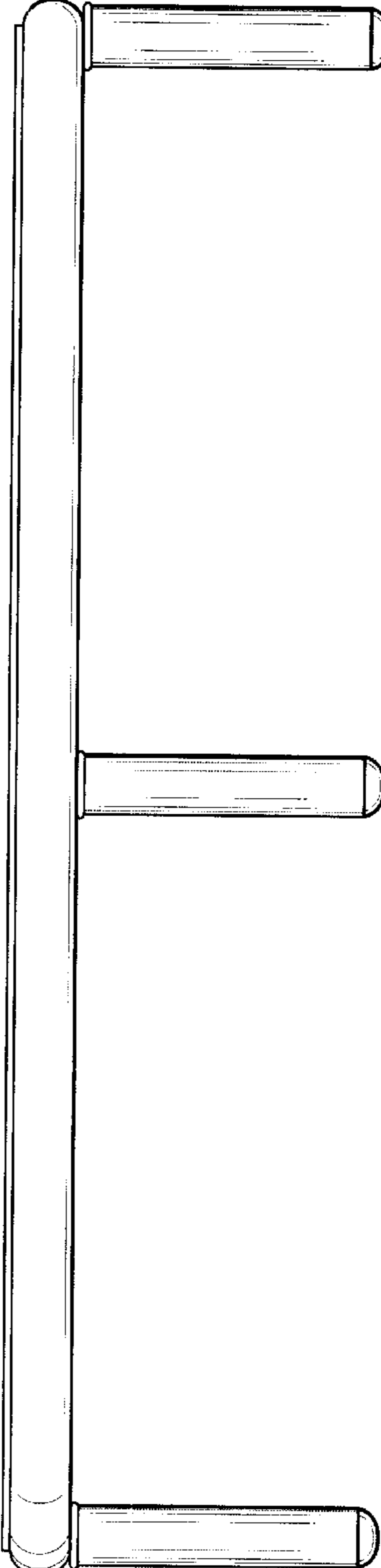


FIG - 6