



US00D540070S

(12) **United States Design Patent**  
**Bibi**

(10) **Patent No.:** **US D540,070 S**

(45) **Date of Patent:** **\*\* Apr. 10, 2007**

(54) **TABLE**

D513,139 S \* 12/2005 Bibi ..... D6/480  
D513,909 S \* 1/2006 Bibi ..... D6/484

(75) **Inventor:** **Reuben Bibi**, E. Josef, Inc., P.O. Box  
230048, Brooklyn, NY (US) 11223

\* cited by examiner

(73) **Assignee:** **Reuben Bibi**, Brooklyn, NY (US)

*Primary Examiner*—Janice E. Seeger

(74) *Attorney, Agent, or Firm*—Ezra Sutton, Esq.

(\*\*) **Term:** **14 Years**

(57) **CLAIM**

(21) **Appl. No.:** **29/232,275**

The ornamental design for a table, as shown and described.

(22) **Filed:** **Jun. 16, 2005**

**DESCRIPTION**

(51) **LOC (8) Cl.** ..... **06-03**

FIG. 1 is a front perspective view of a table embodying my new design with a first playing surface on the top of the table;

(52) **U.S. Cl.** ..... **D6/480; D21/397**

FIG. 2 is a front perspective view of the table embodying my new design with a second playing surface rotated to the top of the table;

(58) **Field of Classification Search** ..... D6/480–489,  
D6/495–499, 422–426, 451, 429, 430; 108/150,  
108/153.1, 155, 156, 157.1, 161, 157.18,  
108/11, 62, 34; 248/188, 188.1; D21/397

FIG. 3 is a front elevational view thereof, and the rear elevational view being a mirror image thereof;

See application file for complete search history.

FIG. 4 is a left side elevational view thereof, and the right side elevational view being a mirror image thereof;

(56) **References Cited**

**U.S. PATENT DOCUMENTS**

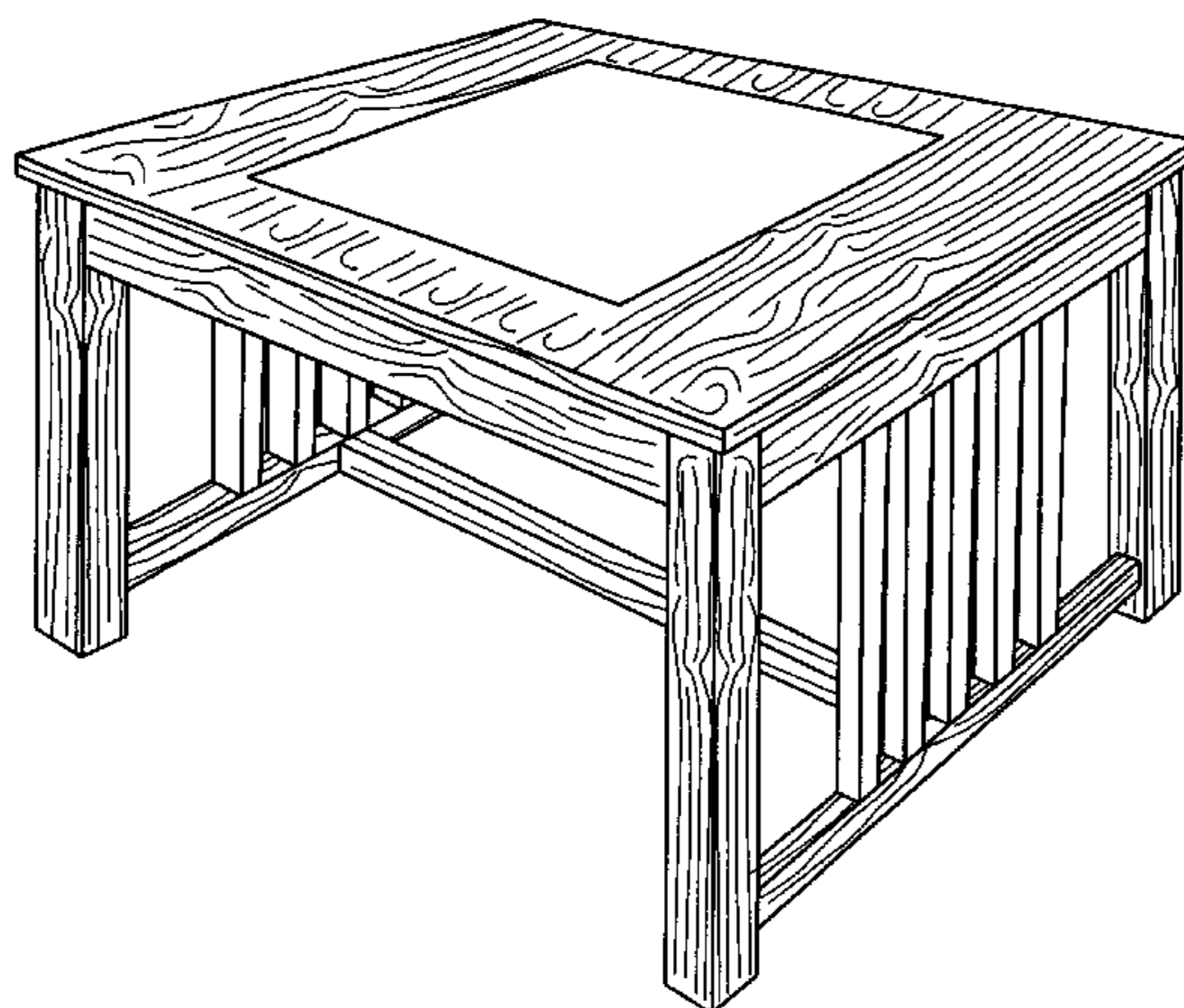
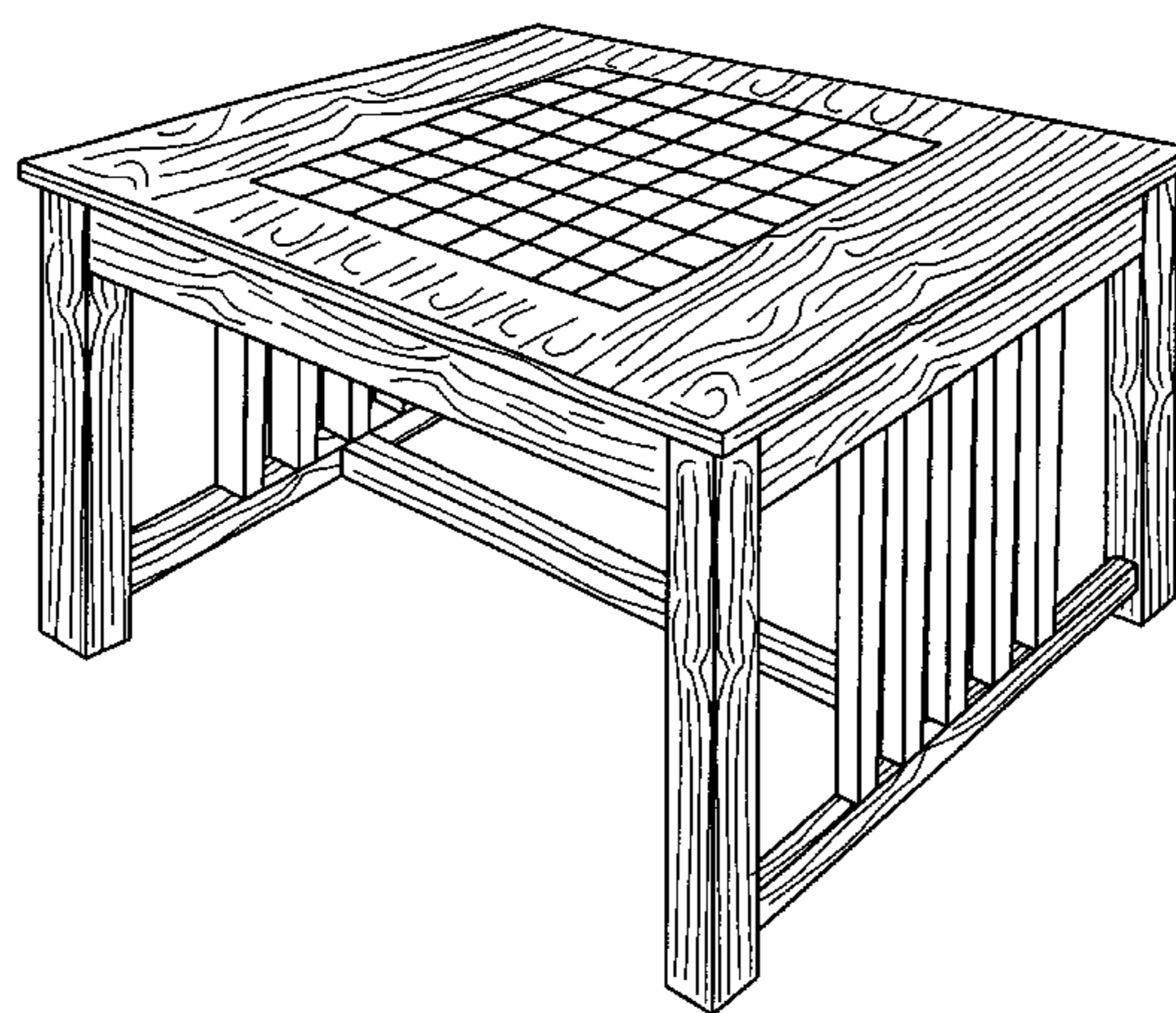
3,001,843 A \* 9/1961 Davis ..... 108/62  
D350,452 S \* 9/1994 Ward ..... D6/480  
D362,770 S \* 10/1995 Green ..... D6/480  
D413,460 S \* 9/1999 Schroeder ..... D6/480  
D490,254 S \* 5/2004 Stanton ..... D6/484

FIG. 5 is a top plan view thereof;

FIG. 6 is a bottom plan view thereof; and,

FIG. 7 is a perspective view of an alternate embodiment having a square shape.

**1 Claim, 4 Drawing Sheets**



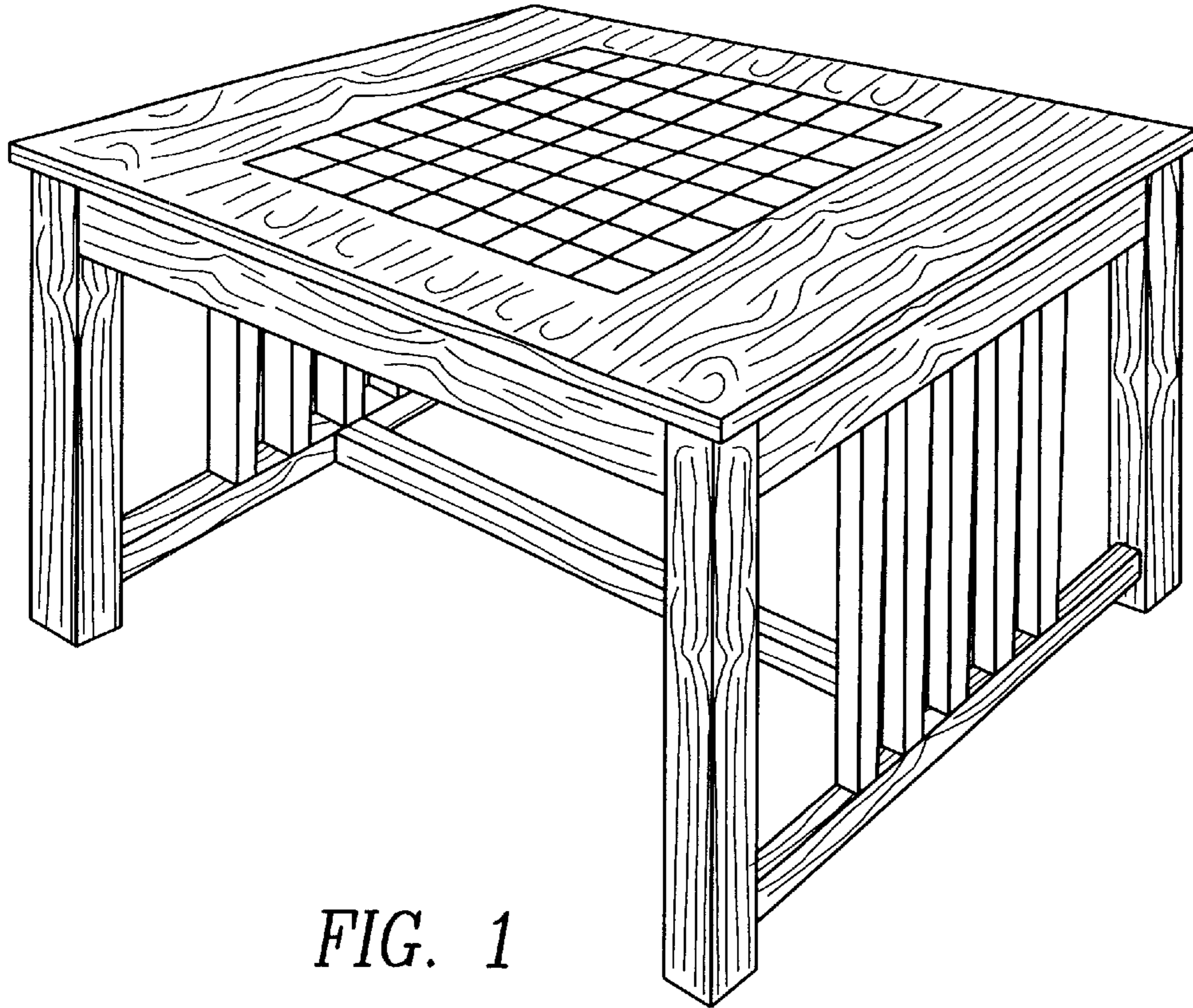


FIG. 1

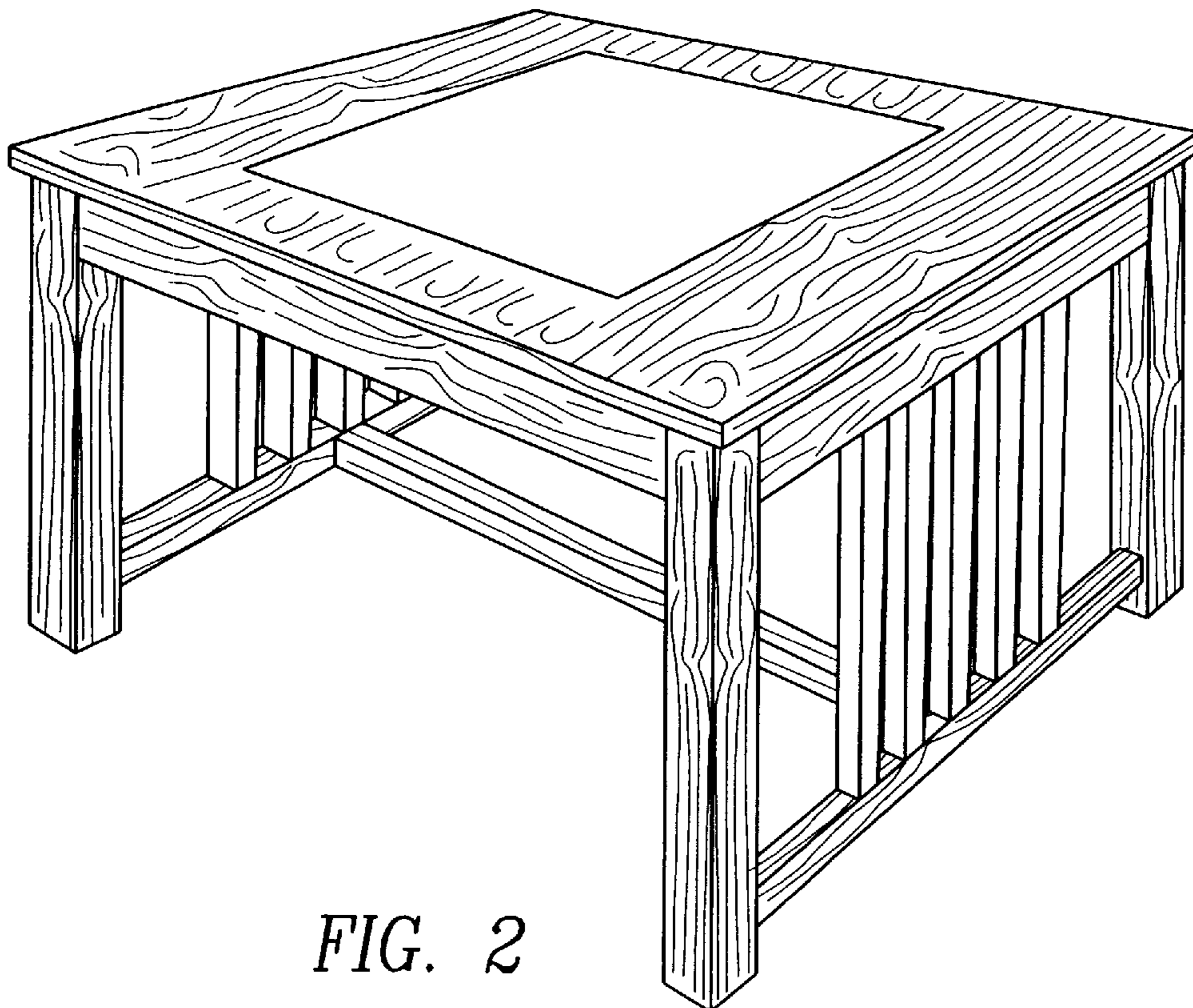
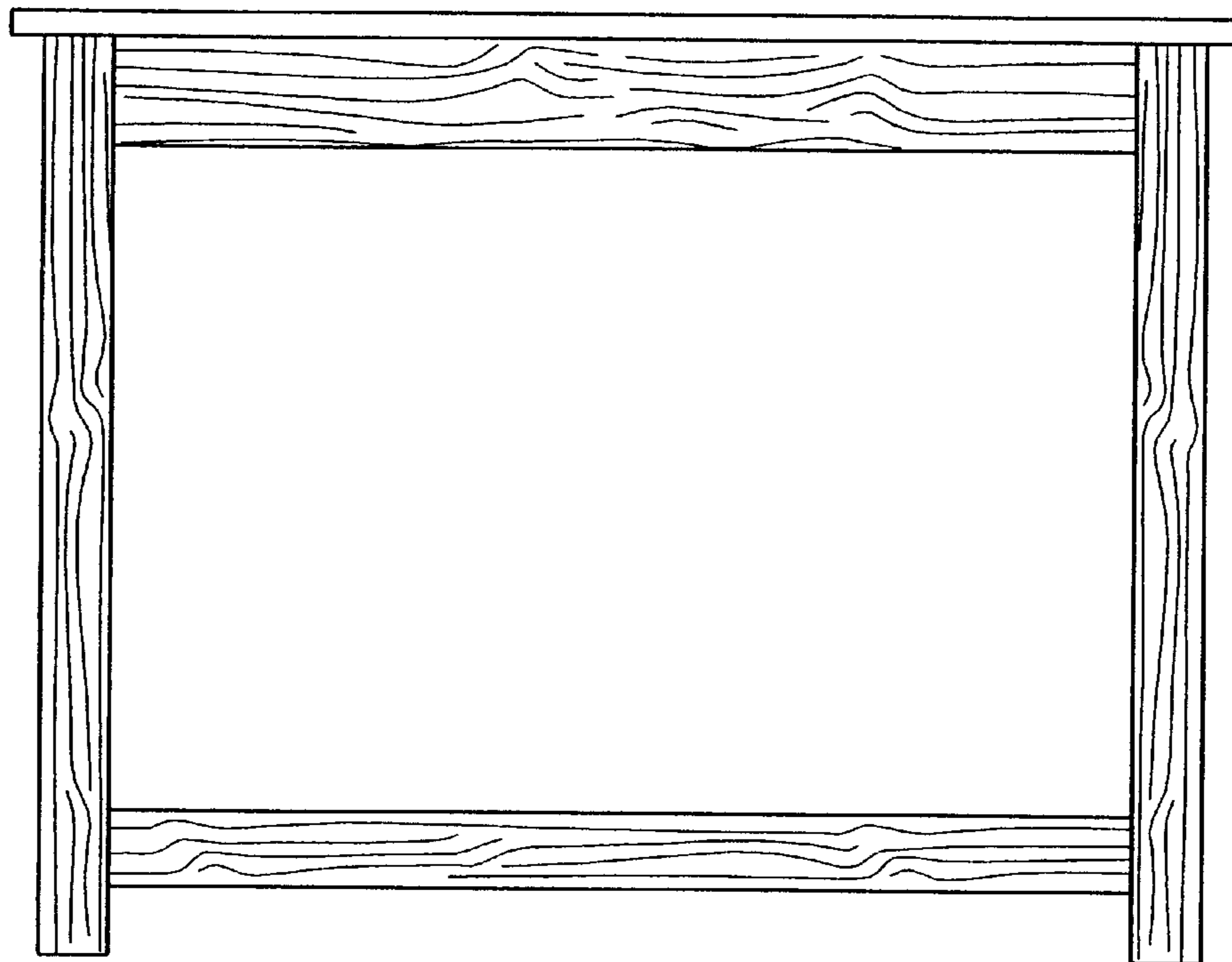
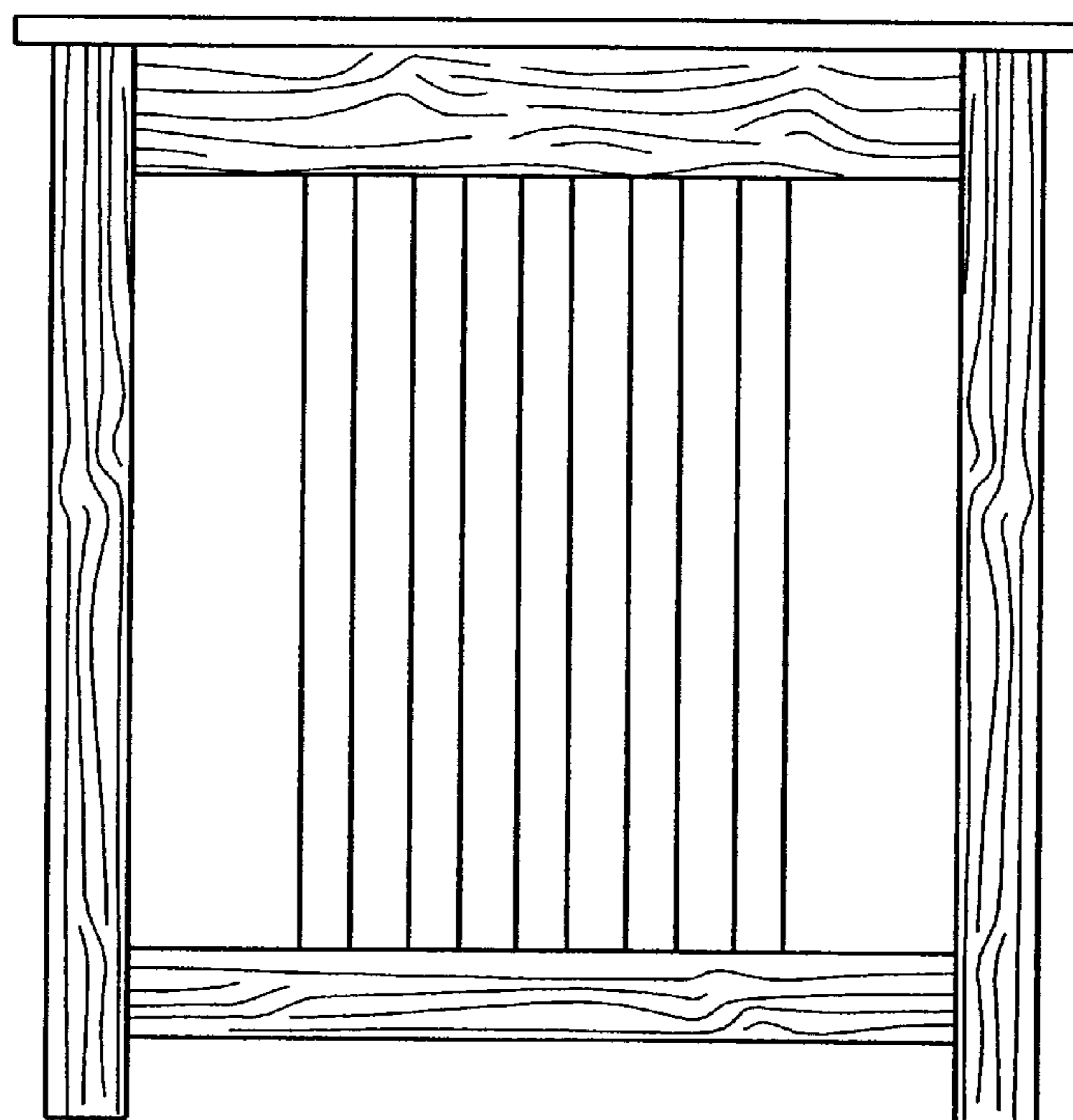


FIG. 2



*FIG. 3*



*FIG. 4*

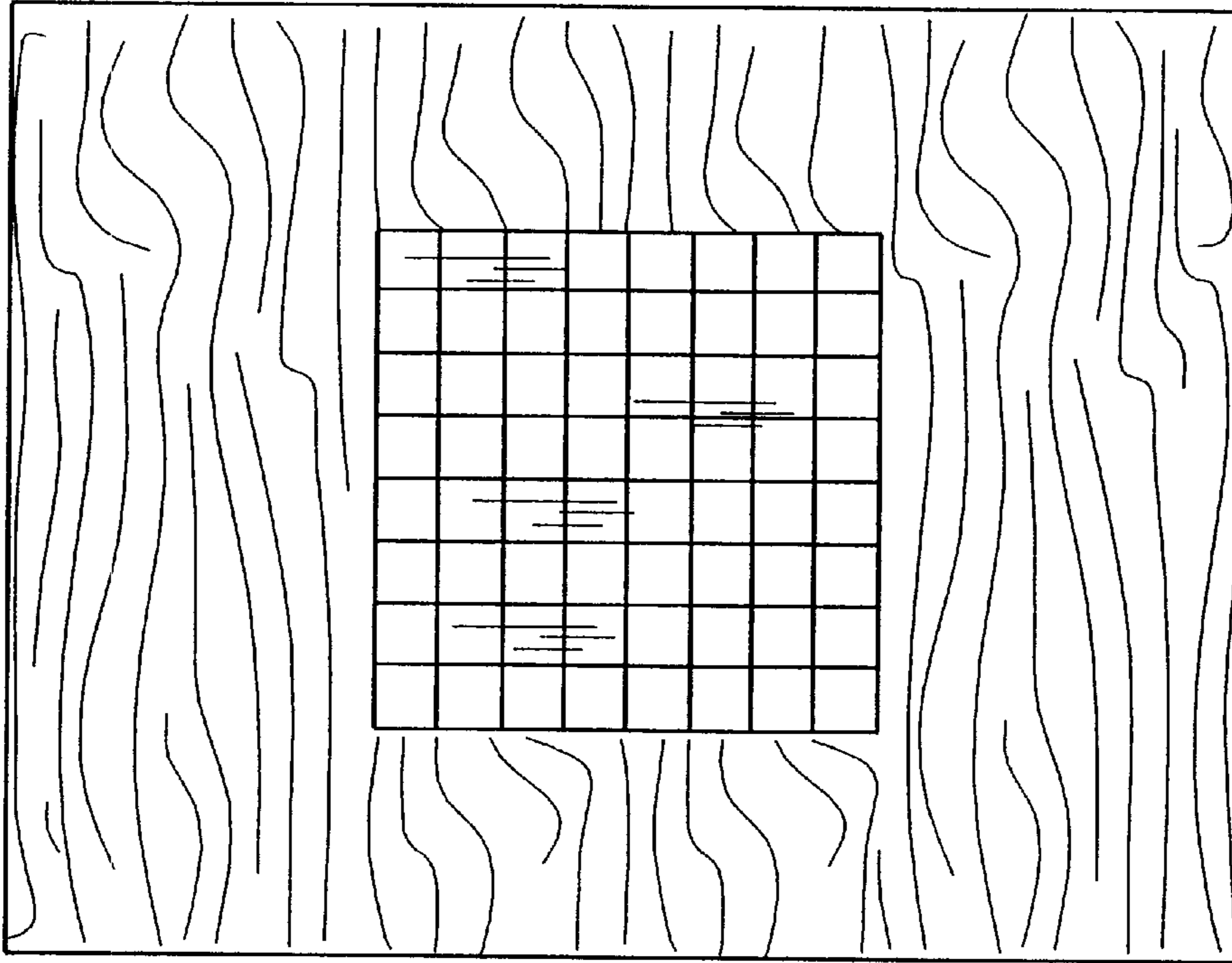


FIG. 5

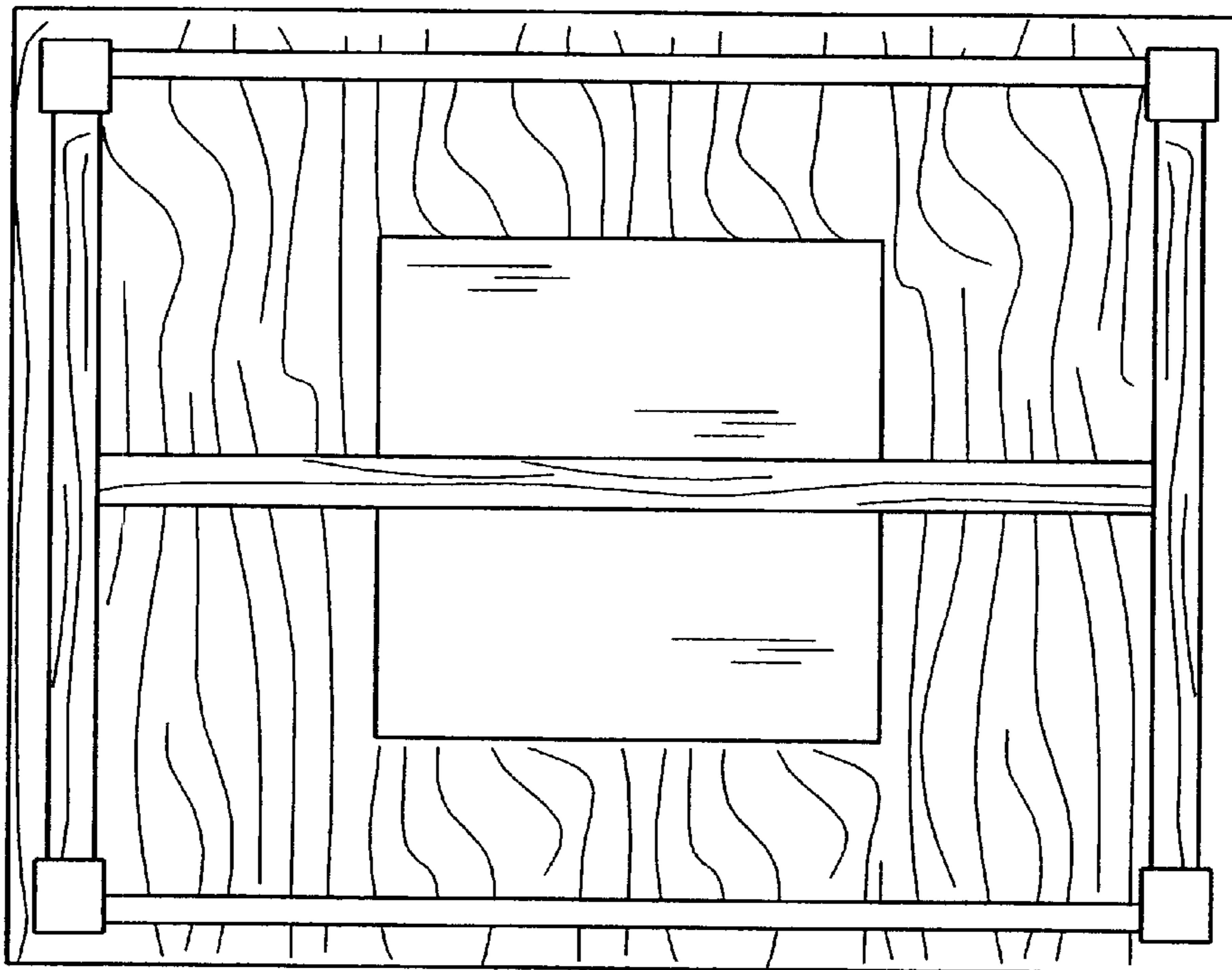
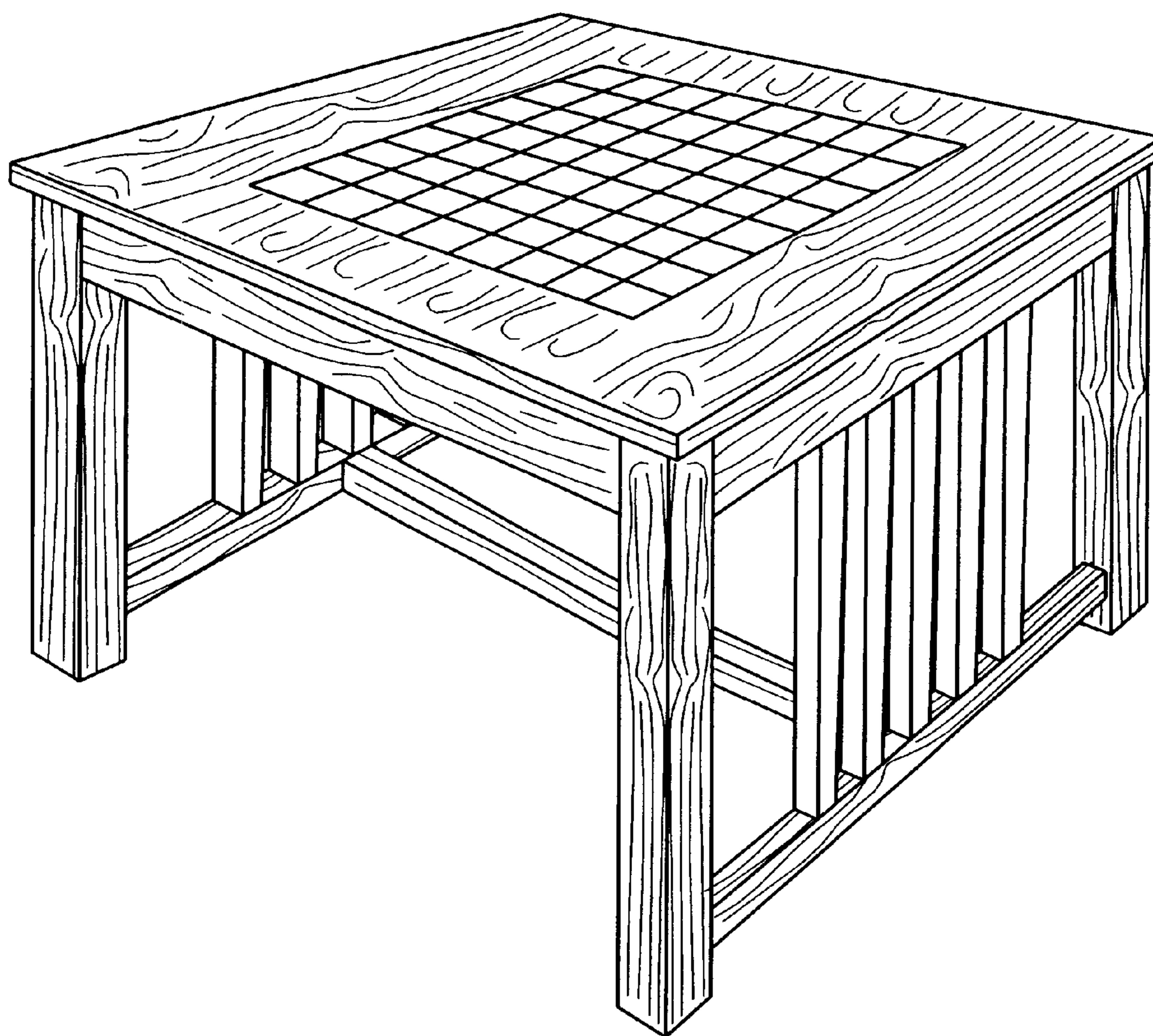


FIG. 6



*FIG. 7*