



US00D540067S

(12) **United States Design Patent**  
**Chung**

(10) **Patent No.:** **US D540,067 S**

(45) **Date of Patent:** **\*\* Apr. 10, 2007**

(54) **STANDARD-TYPE TELEVISION PROP FOR DLP**

D444,979 S \* 7/2001 Green ..... D6/574  
D484,332 S \* 12/2003 Niitsu ..... D6/477

(75) Inventor: **Sung-A Chung**, Seoul (KR)

(73) Assignee: **Samsung Electronics Co., Ltd.**,  
Kyunggi-do (KR)

(\*\*) Term: **14 Years**

(21) Appl. No.: **29/263,519**

(22) Filed: **Jul. 25, 2006**

(51) **LOC (8) Cl.** ..... **06-04**

(52) **U.S. Cl.** ..... **D6/474**

(58) **Field of Classification Search** ..... D6/460,  
D6/461, 468, 474, 477-479; 312/7.2, 9.1;  
108/59, 91, 92, 96; 211/40, 41.12, 42, 49.1,  
211/50, 85.2, 90.04, 187, 190, 119.003, 134.153,  
211/87.01, 71.01

See application file for complete search history.

(56) **References Cited**

**U.S. PATENT DOCUMENTS**

D169,867 S	*	6/1953	Sanford	.....	D6/478
D260,716 S	*	9/1981	Cohen et al.	.....	D6/474
D284,629 S	*	7/1986	Hamami	.....	D6/445
D301,000 S	*	5/1989	Christiansen	.....	D6/574
D331,338 S	*	12/1992	Sussman	.....	D6/474
D334,856 S	*	4/1993	Sielaff	.....	D6/474
D361,453 S	*	8/1995	Sussman	.....	D6/474
D367,782 S	*	3/1996	Kazama	.....	D6/474
D414,350 S	*	9/1999	Fear et al.	.....	D6/426
6,149,253 A	*	11/2000	Talasani	.....	312/7.2

**OTHER PUBLICATIONS**

Furniture Today, Tucker Furniture Desk, Apr. 16, 2001, p. 144.\*

U.S. Appl. No. 29/263,521, Applicant: Sung-A Chung filed Jul. 25, 2006 entitled Wall-Mounting Television Prop for DLP.

U.S. Appl. No. 29/263,522, Applicant: Sung-A Chung filed Jul. 25, 2006 entitled Wall-Mounting Television Prop for PDP.

\* cited by examiner

*Primary Examiner*—Cathron C. Brooks

(74) *Attorney, Agent, or Firm*—Flynn, Thiel, Boutell & Tanis, P.C.

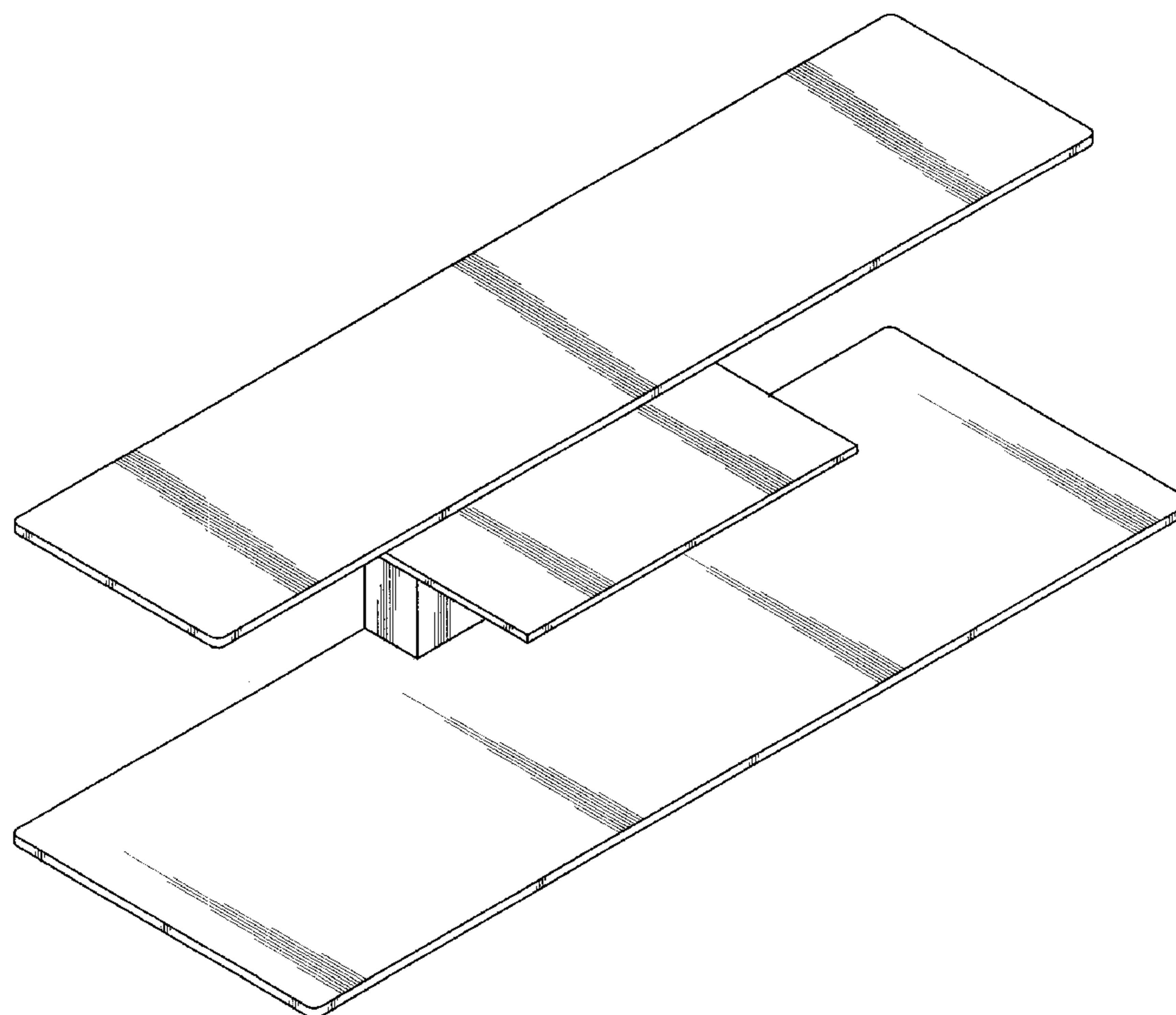
(57) **CLAIM**

The ornamental design for a standard-type television prop for DLP, as shown and described.

**DESCRIPTION**

FIG. 1 is a top front perspective view of a standard-type television prop for DLP showing our new design; FIG. 2 is a front elevational view thereof; FIG. 3 is a rear elevational view thereof; FIG. 4 is a left side elevational view, the right side being symmetrical thereof; FIG. 5 is a top plan view thereof; and, FIG. 6 is a bottom plan view thereof.

**1 Claim, 4 Drawing Sheets**



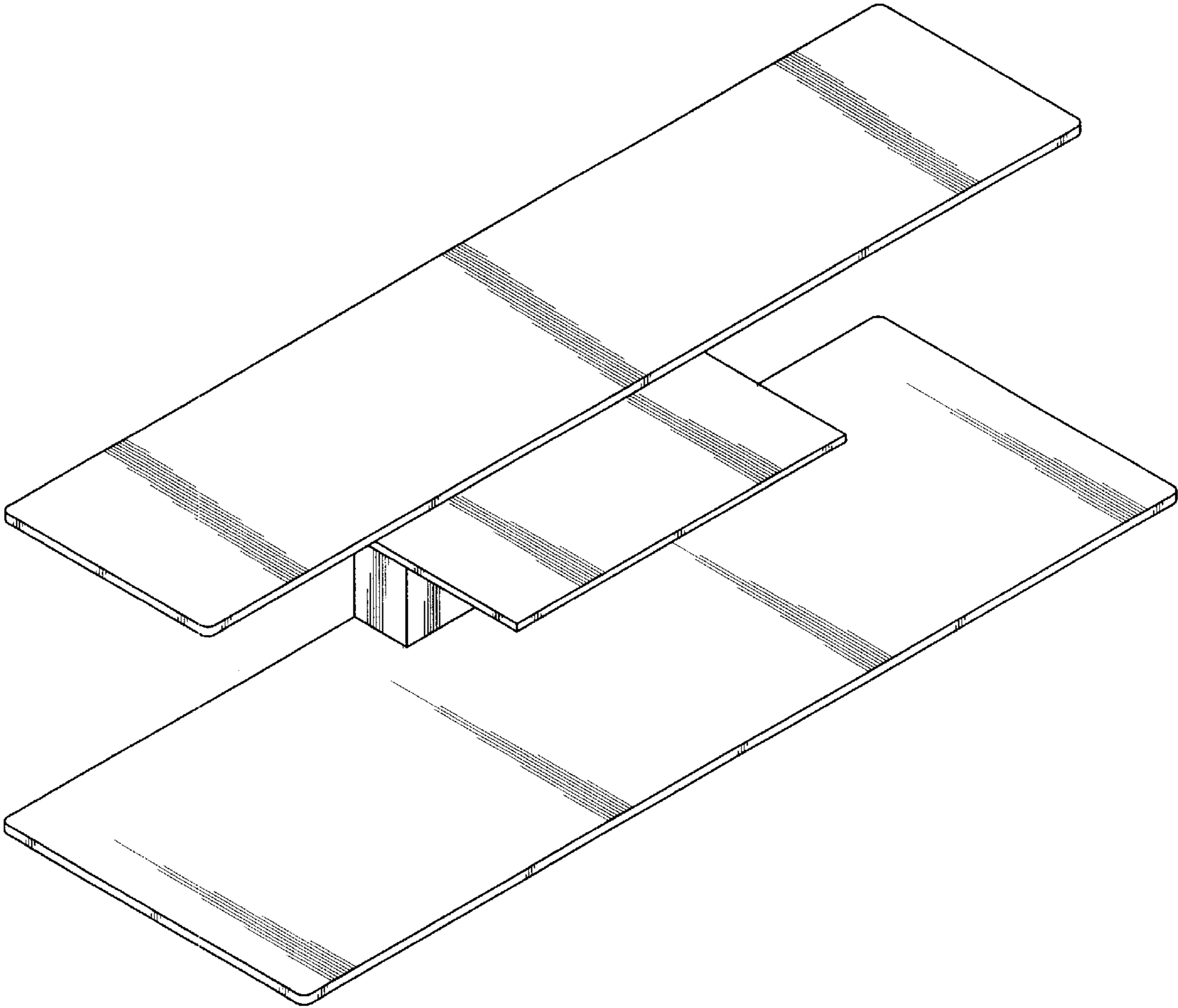


FIG. 1

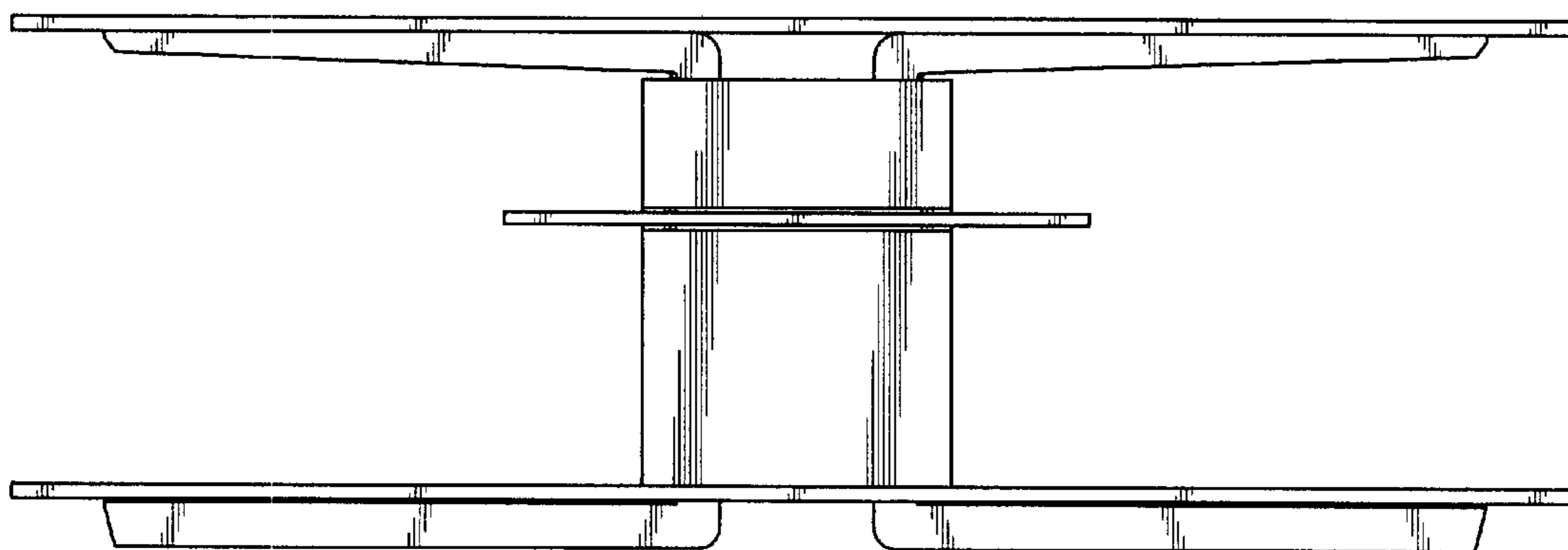


FIG. 2

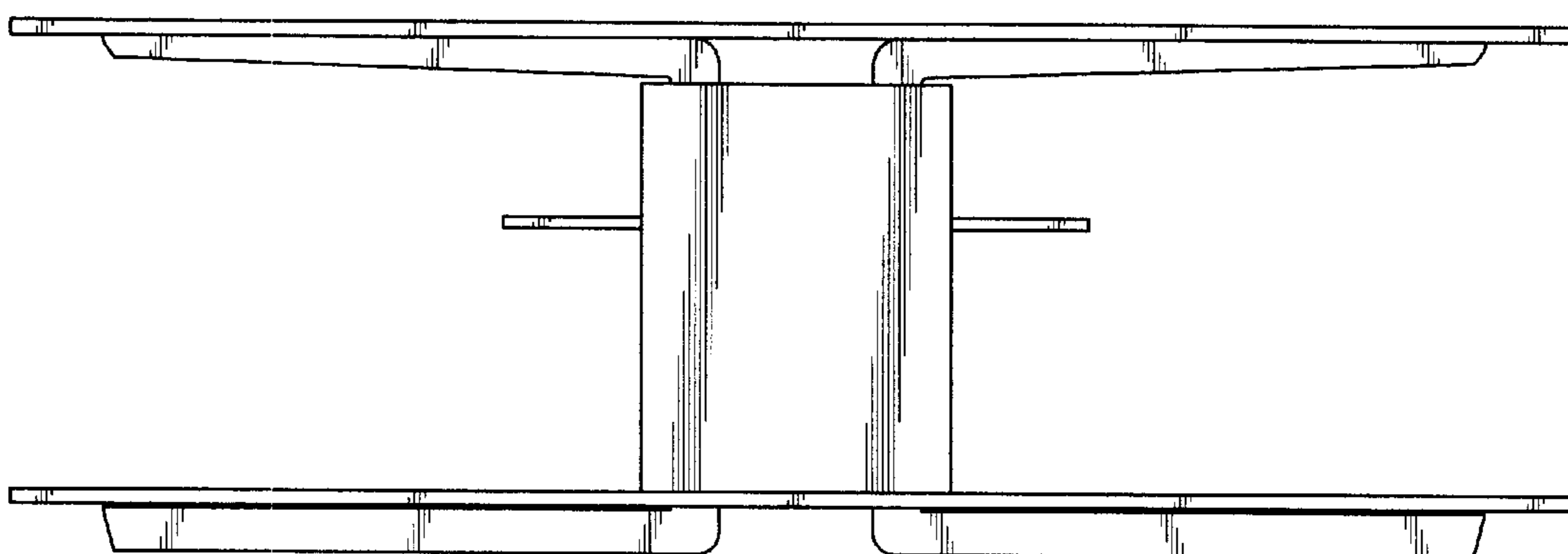


FIG. 3

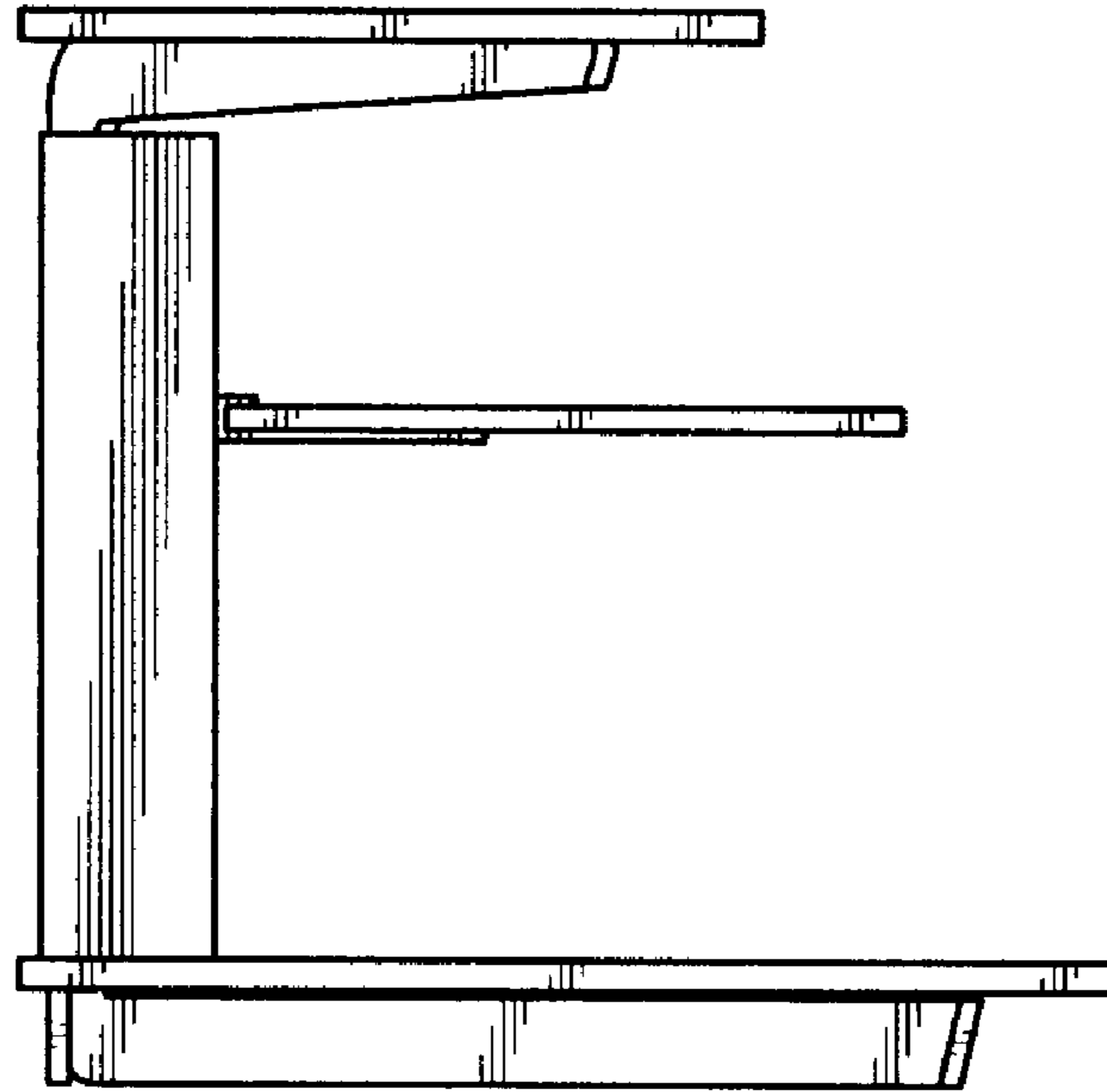


FIG. 4

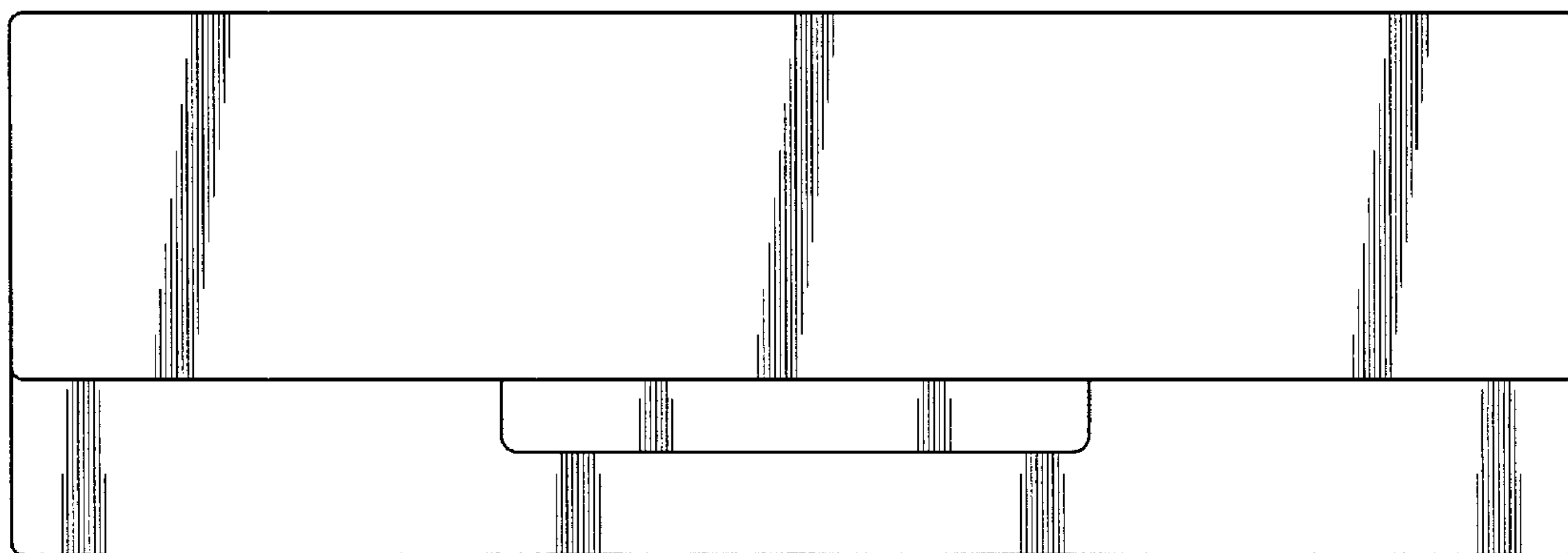


FIG. 5

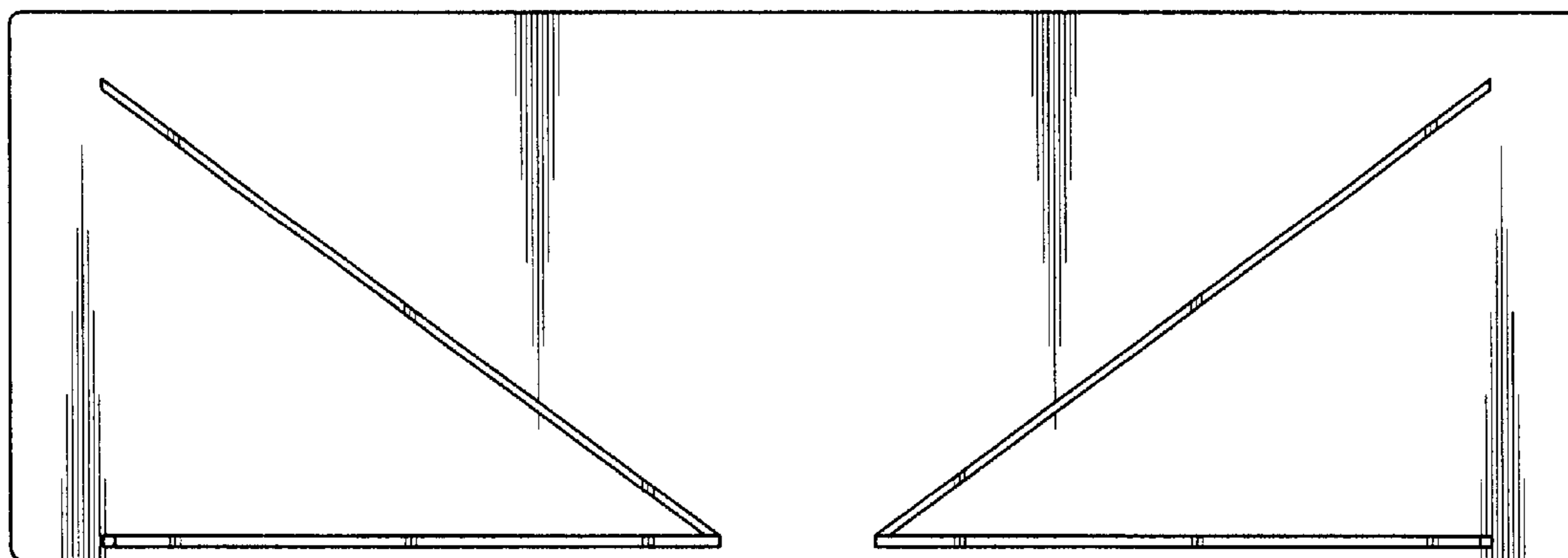


FIG. 6