



US00D540065S

(12) **United States Design Patent**
Harris

(10) **Patent No.:** **US D540,065 S**

(45) **Date of Patent:** **** Apr. 10, 2007**

(54) **WATCH DISPLAY STAND**

(76) **Inventor:** **Timothy Harris**, 192 Fairfax St.,
Berkeley Springs, WV (US) 25411

(**) **Term:** **14 Years**

(21) **Appl. No.:** **29/204,570**

(22) **Filed:** **Apr. 30, 2004**

(51) **LOC (8) Cl.** **06-04**

(52) **U.S. Cl.** **D6/462**

(58) **Field of Classification Search** D6/319,
D6/324, 327, 396, 410, 411, 415, 458, 426,
D6/465-469, 473-476, 522, 524, 542; 211/13.1,
211/85.2, 85.26, 85.3, 113, 124.1, 125.7,
211/205; 248/114-116, 125.7, 176.1; D3/20;
D32/35; 206/6.1, 301, 495-566; 432/231;
473/423

See application file for complete search history.

(56) **References Cited**

U.S. PATENT DOCUMENTS

593,139	A	*	11/1897	Thomas	432/231
D76,023	S	*	8/1928	Kuchins	D6/449
D160,369	S		2/1950	Chamberlain	D80/9
2,905,328	A	*	9/1959	Munao et al.	211/85.2
D193,961	S	*	10/1962	Jantzen	D6/462
D270,220	S		8/1983	Cuminale	D6/186

D280,579	S	*	9/1985	Brown	D6/410
D297,595	S	*	9/1988	Sawai	D3/20
D330,293	S	*	10/1992	Basica	D6/415
D352,190	S	*	11/1994	Tucker	D6/468
5,685,788	A	*	11/1997	Shy et al.	473/423
D391,706	S	*	3/1998	Malcolm	D32/35
D422,820	S	*	4/2000	Chen	D6/524
6,168,030	B1	*	1/2001	Morris	211/13.1
D473,731	S		4/2003	Banks	D6/449
6,685,146	B1	*	2/2004	Sanchez, Jr.	248/125.7

* cited by examiner

Primary Examiner—Robert M. Spear

Assistant Examiner—Mary Ann Calabrese

(74) *Attorney, Agent, or Firm*—Bertlett & Sherer; Ronlad
B. Sherer

(57) **CLAIM**

The ornamental design for a watch display stand, as shown
and described.

DESCRIPTION

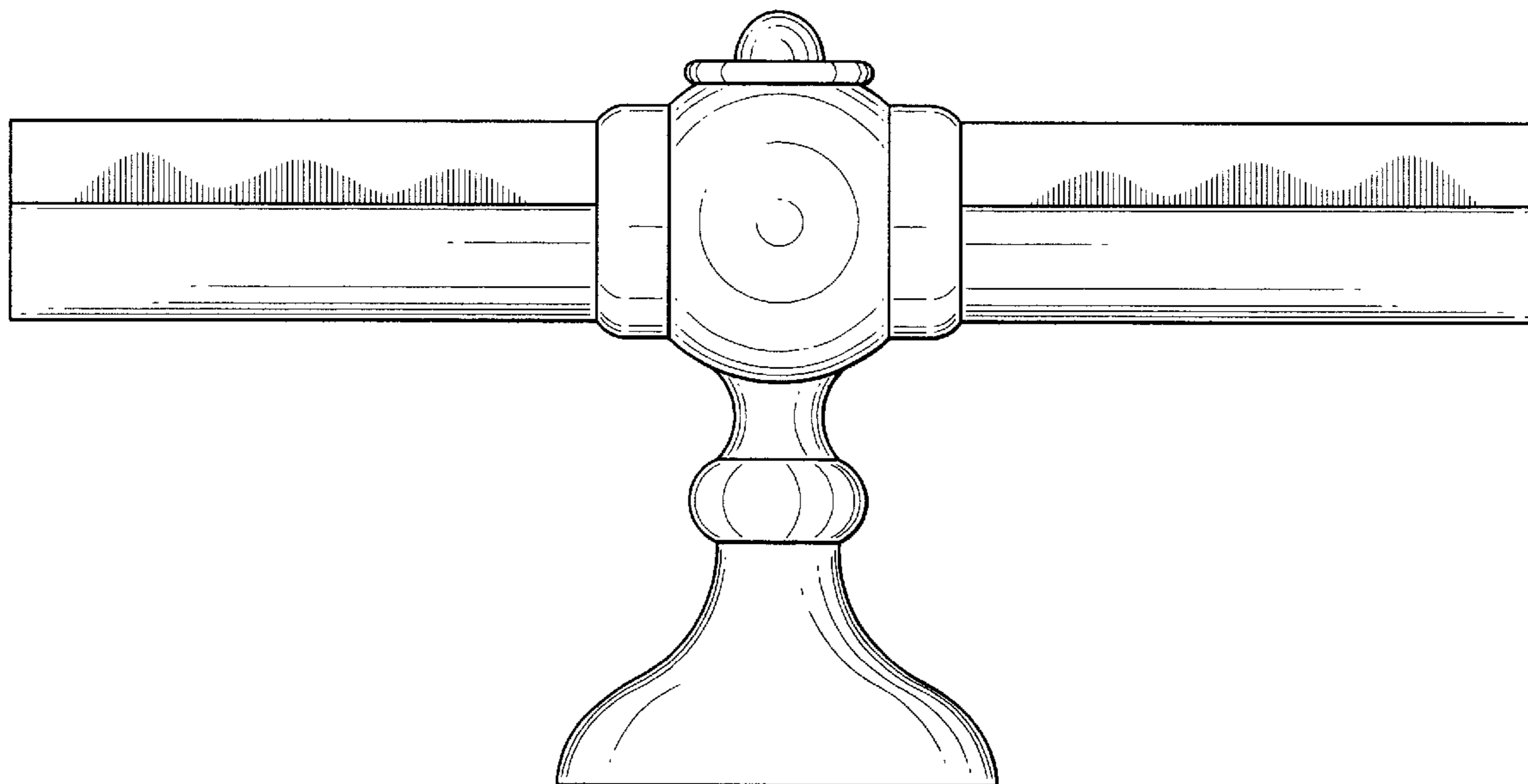
FIG. 1 is a front, elevational view showing the new design
of my watch display stand;

FIG. 2 is a side, elevational view thereof;

FIG. 3 is a top view thereof; and,

FIG. 4 is bottom view thereof.

1 Claim, 2 Drawing Sheets



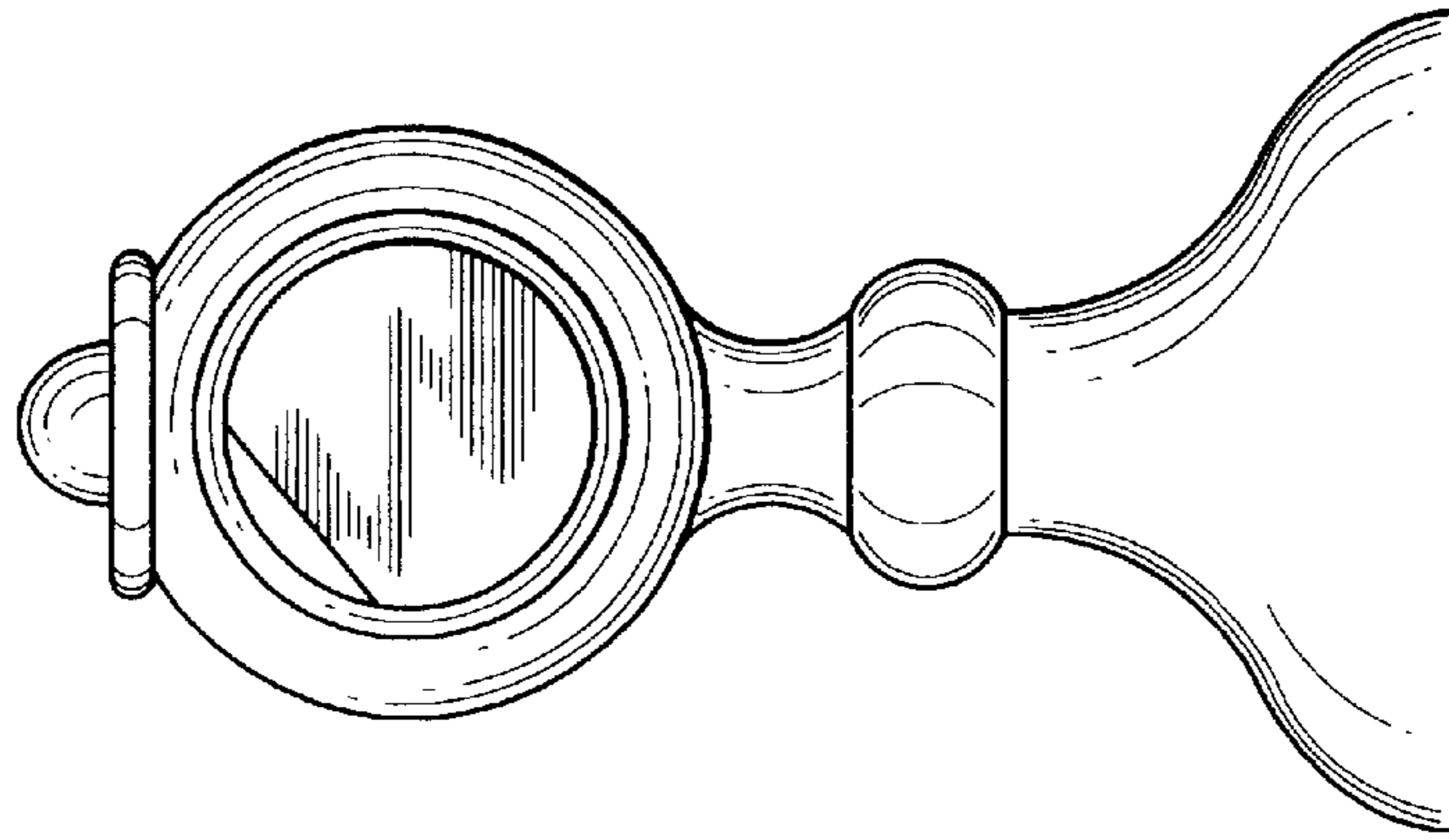


FIG. 2

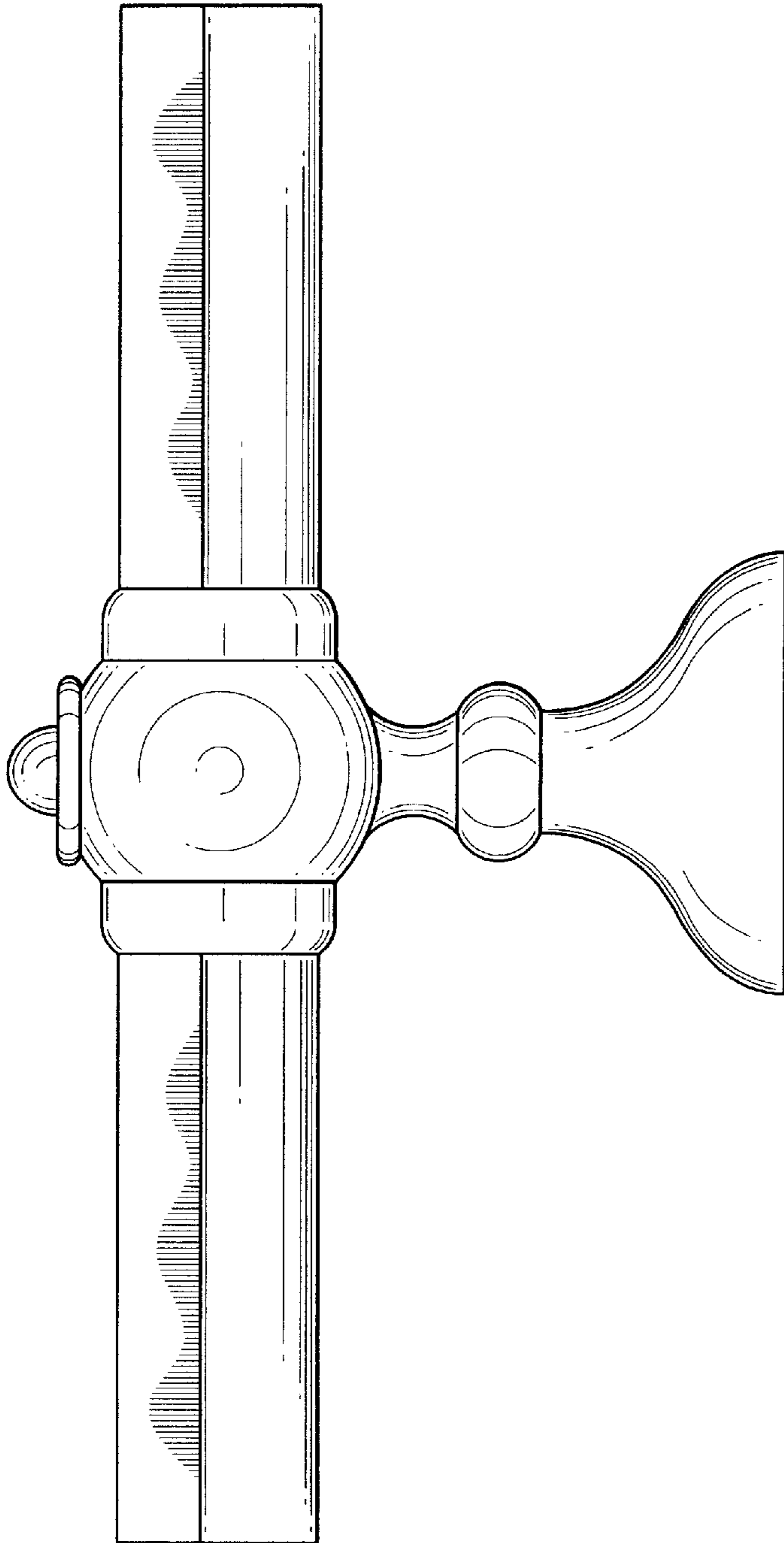


FIG. 1

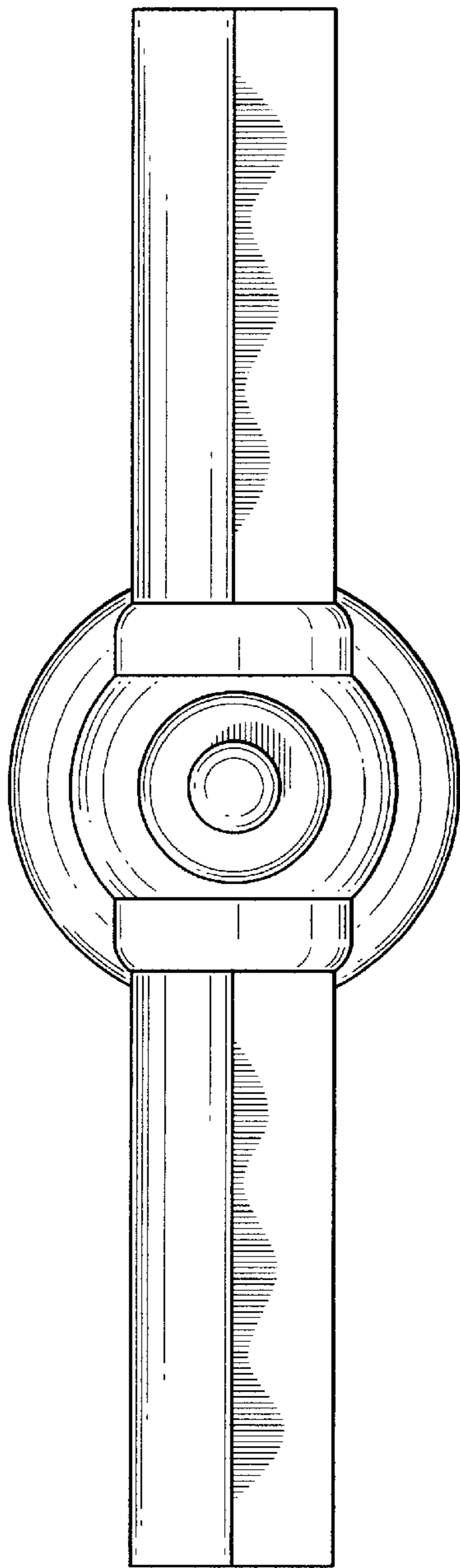


FIG. 3

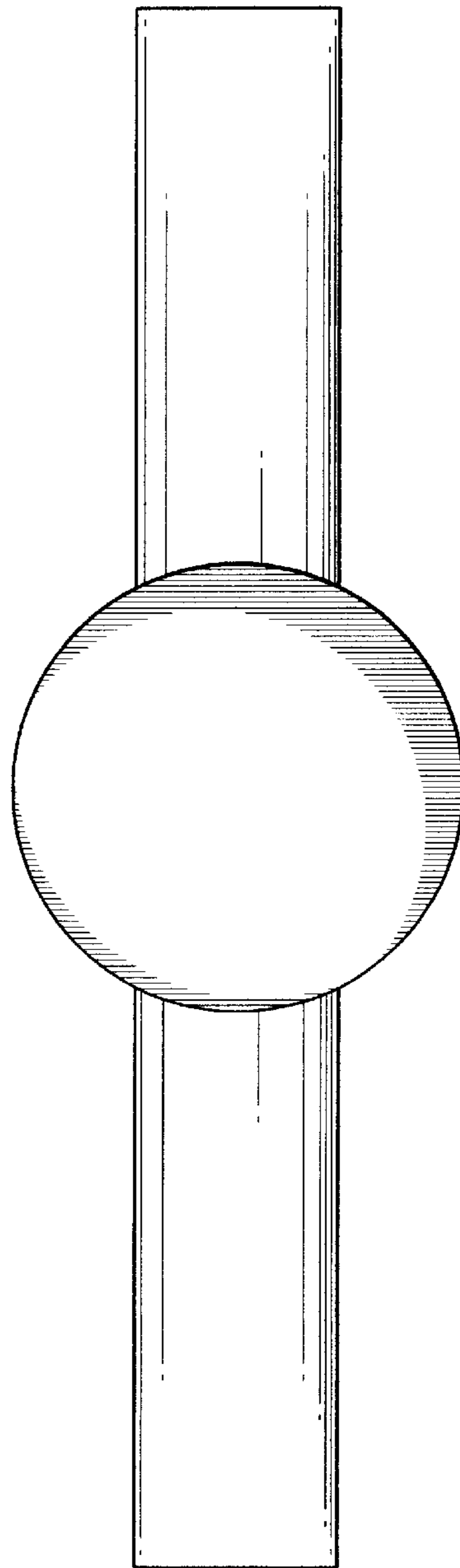


FIG. 4