



US00D540062S

(12) **United States Design Patent**
Natuzzi

(10) **Patent No.:** **US D540,062 S**
(45) **Date of Patent:** **** Apr. 10, 2007**

- (54) **SOFA**
- (75) Inventor: **Pasquale Natuzzi**, Santeramo in Colle
Bari (IT)
- (73) Assignee: **Natuzzi S.p.A.**, Bari (IT)
- (**) Term: **14 Years**
- (21) Appl. No.: **29/239,234**
- (22) Filed: **Sep. 28, 2005**
- (51) **LOC (8) Cl.** **06-01**
- (52) **U.S. Cl.** **D6/381**
- (58) **Field of Classification Search** D6/334,
D6/335, 337, 357, 361, 364, 367, 371, 378,
D6/381, 382, 383, 393, 500-503; 297/62-63,
297/38, 118, 232-233, 244-245, 311, 445.1,
297/446.1; 5/12.1, 28, 42
See application file for complete search history.

D527,541 S * 9/2006 Natuzzi D6/381

OTHER PUBLICATIONS

Natuzzi sofa model #1267, International Home Furnishings
Market, High Point, NC, Mar. 1995, 2 pgs.*

* cited by examiner

Primary Examiner—Sandra Snapp

(74) *Attorney, Agent, or Firm*—Egbert Law Offices

(57) **CLAIM**

I claim the ornamental design for a sofa, as shown and
described.

DESCRIPTION

FIG. 1 is a front elevation view of the sofa showing my
design.

FIG. 2 is top plan view thereof;

FIG. 3 is a back perspective view thereof; and,

FIG. 4 is a side view thereof, an opposite side view being a
mirror image thereof.

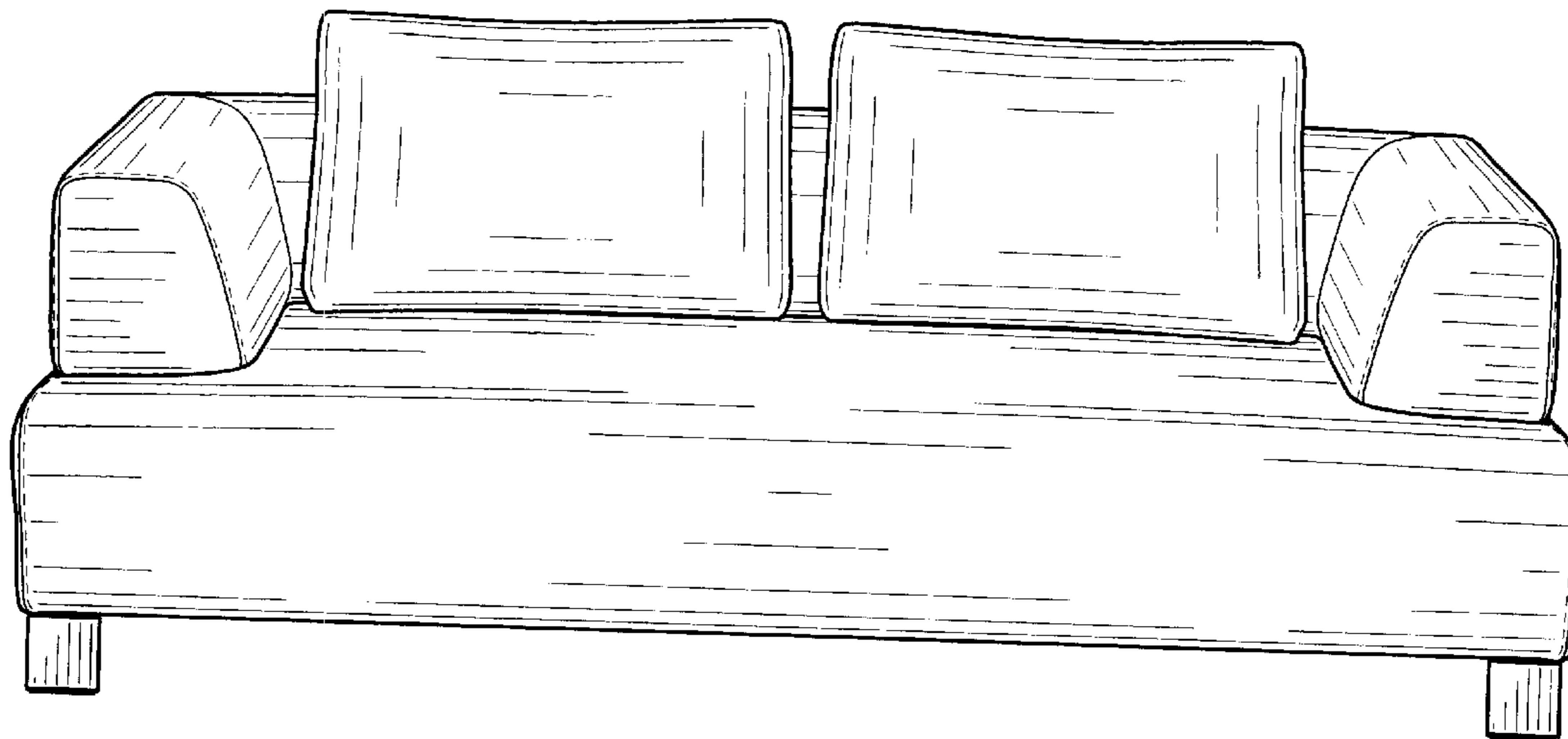
The broken lines shown on the sofa are understood to
represent stitching.

(56) **References Cited**

U.S. PATENT DOCUMENTS

- D489,195 S * 5/2004 Natuzzi D6/381
- D494,376 S * 8/2004 Natuzzi D6/381

1 Claim, 2 Drawing Sheets



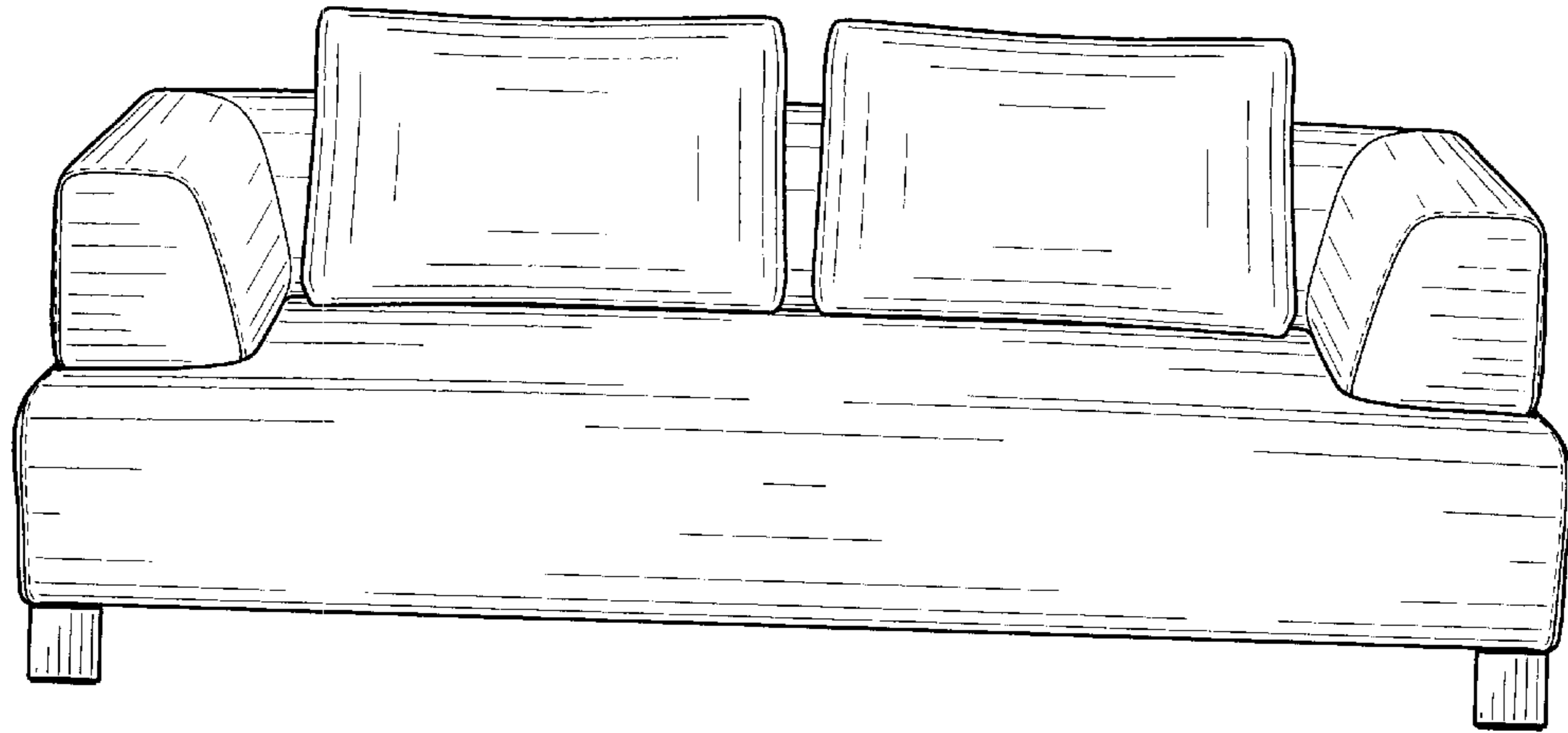


FIG. 1

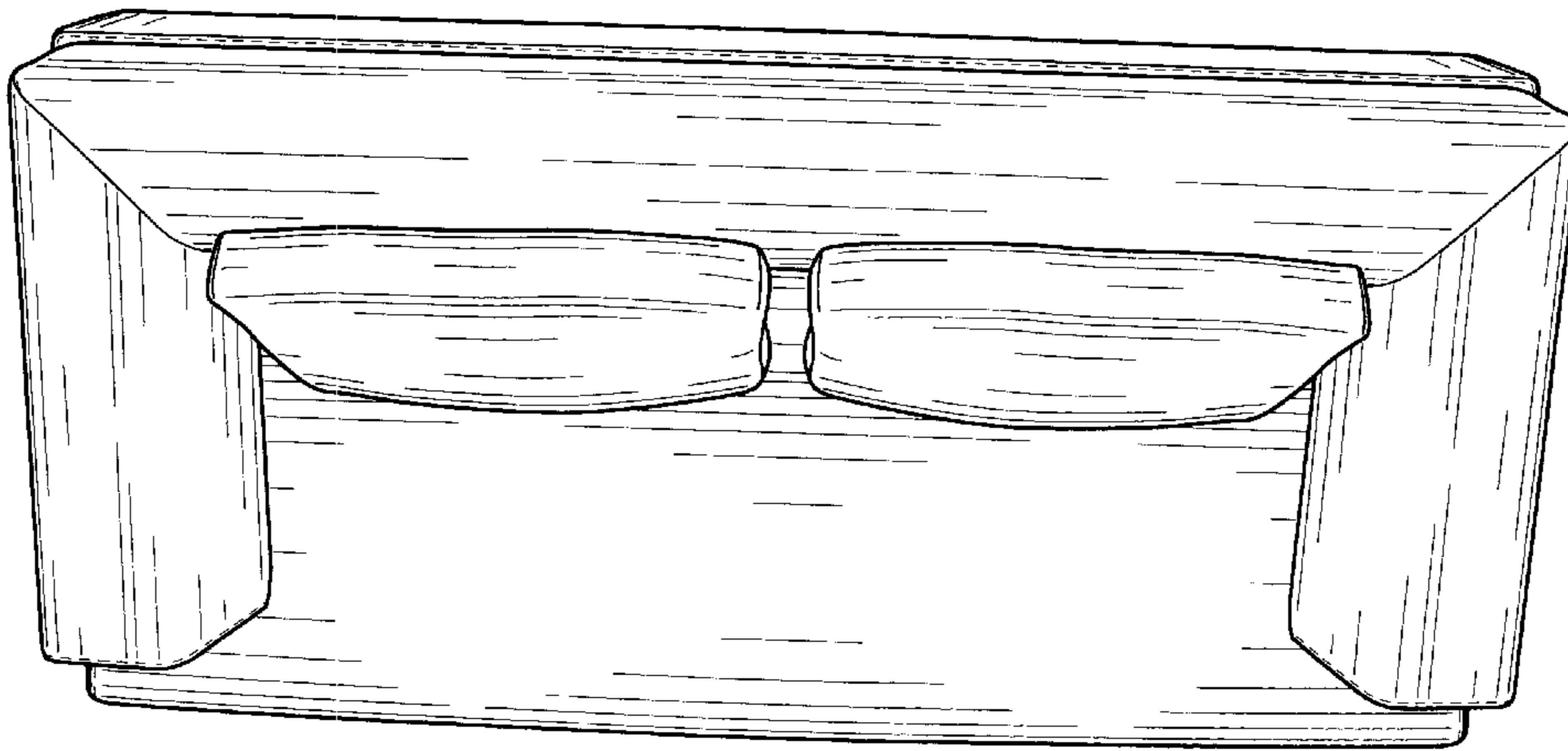


FIG. 2

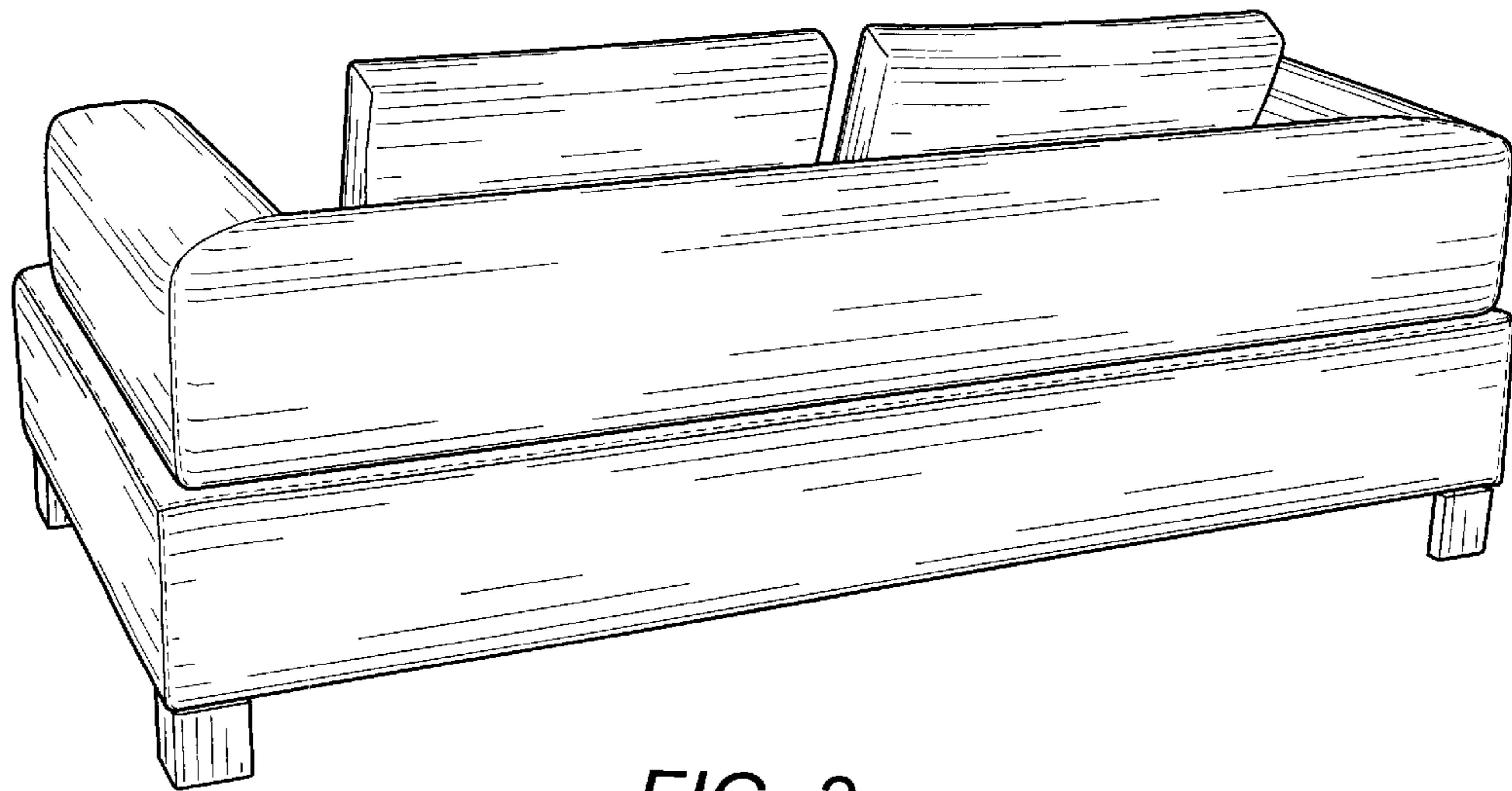


FIG. 3

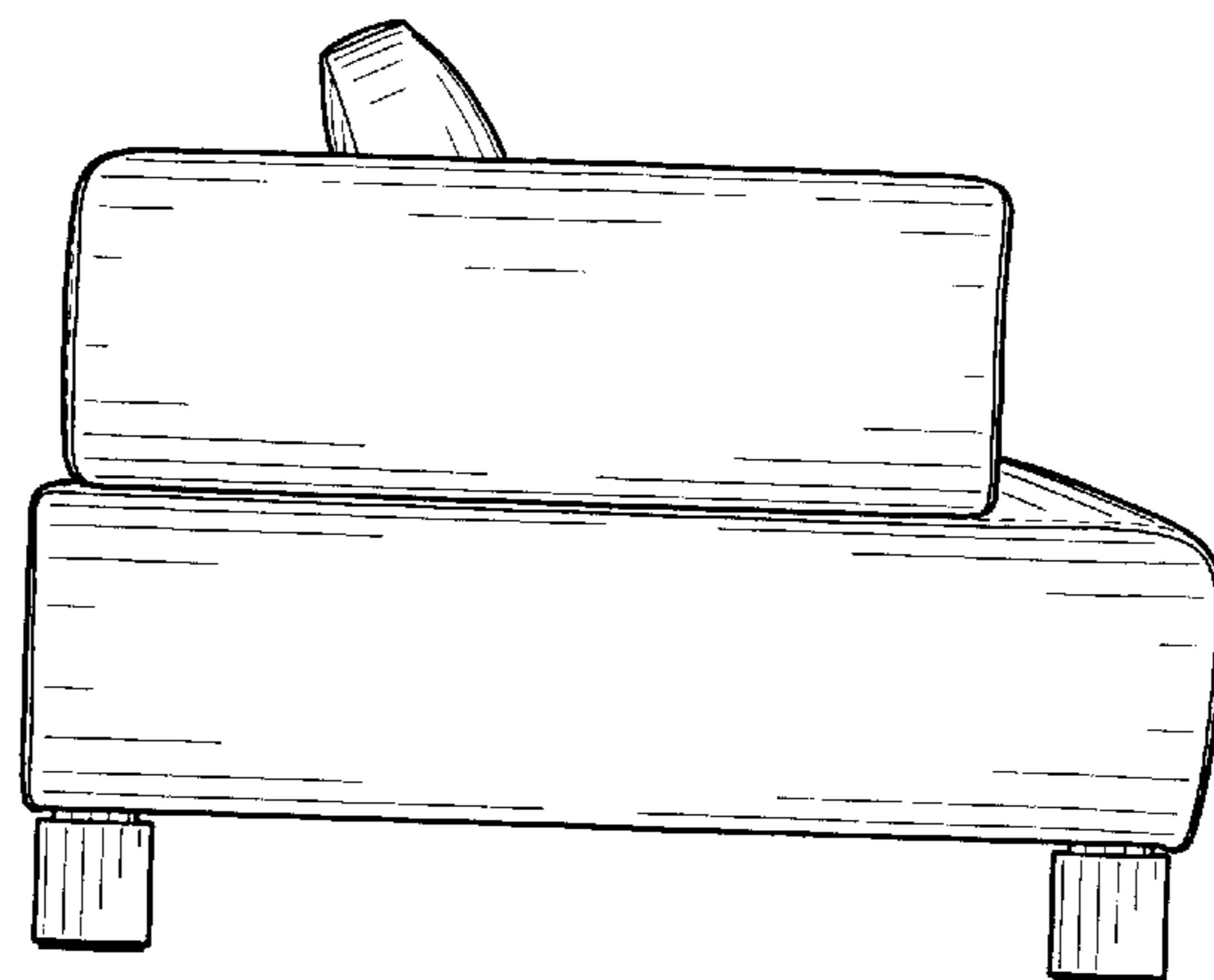


FIG. 4