

US00D540057S

(12) **United States Design Patent**  
**Doughty**

(10) **Patent No.:** **US D540,057 S**

(45) **Date of Patent:** **\*\* Apr. 10, 2007**

(54) **CHAIR**

(75) **Inventor:** **Frederic C. Doughty**, Ventura, CA  
(US)

(73) **Assignee:** **Agio International Company, Limited**,  
Kowloon (HK)

(\*\*) **Term:** **14 Years**

(21) **Appl. No.:** **29/245,846**

(22) **Filed:** **Dec. 29, 2005**

(51) **LOC (8) Cl.** ..... **06-01**

(52) **U.S. Cl.** ..... **D6/370; D6/376; D6/379**

(58) **Field of Classification Search** ..... D6/334-336,  
D6/369, 370, 374, 376, 379, 380, 500-502;  
297/411.42, 411.43, 445.1, 446.1, 451.9,  
297/452.63, 452.64

See application file for complete search history.

(56) **References Cited**

**U.S. PATENT DOCUMENTS**

D311,098 S	*	10/1990	Lee et al.	.....	D3/380
D335,587 S	*	5/1993	Backer	.....	D6/379
D339,007 S	*	9/1993	Grosfillex	.....	D6/379
D399,667 S	*	10/1998	Muller	.....	D6/370

D437,138 S	*	2/2001	Ricchio, Jr.	.....	D6/379
D443,993 S	*	6/2001	Kelley et al.	.....	D6/370
D457,342 S	*	5/2002	Muller	.....	D6/370
D474,904 S	*	5/2003	Ciabatti	.....	D6/370
D513,900 S	*	1/2006	Tseng	.....	D6/370
D520,255 S	*	5/2006	King	.....	D6/370
D522,767 S	*	6/2006	Camp et al.	.....	D6/376
D523,652 S	*	6/2006	Bell	.....	D6/376
D524,072 S	*	7/2006	King	.....	D6/380

\* cited by examiner

*Primary Examiner*—Mimosa De

(74) *Attorney, Agent, or Firm*—Williams Mullen; M. Bruce Harper

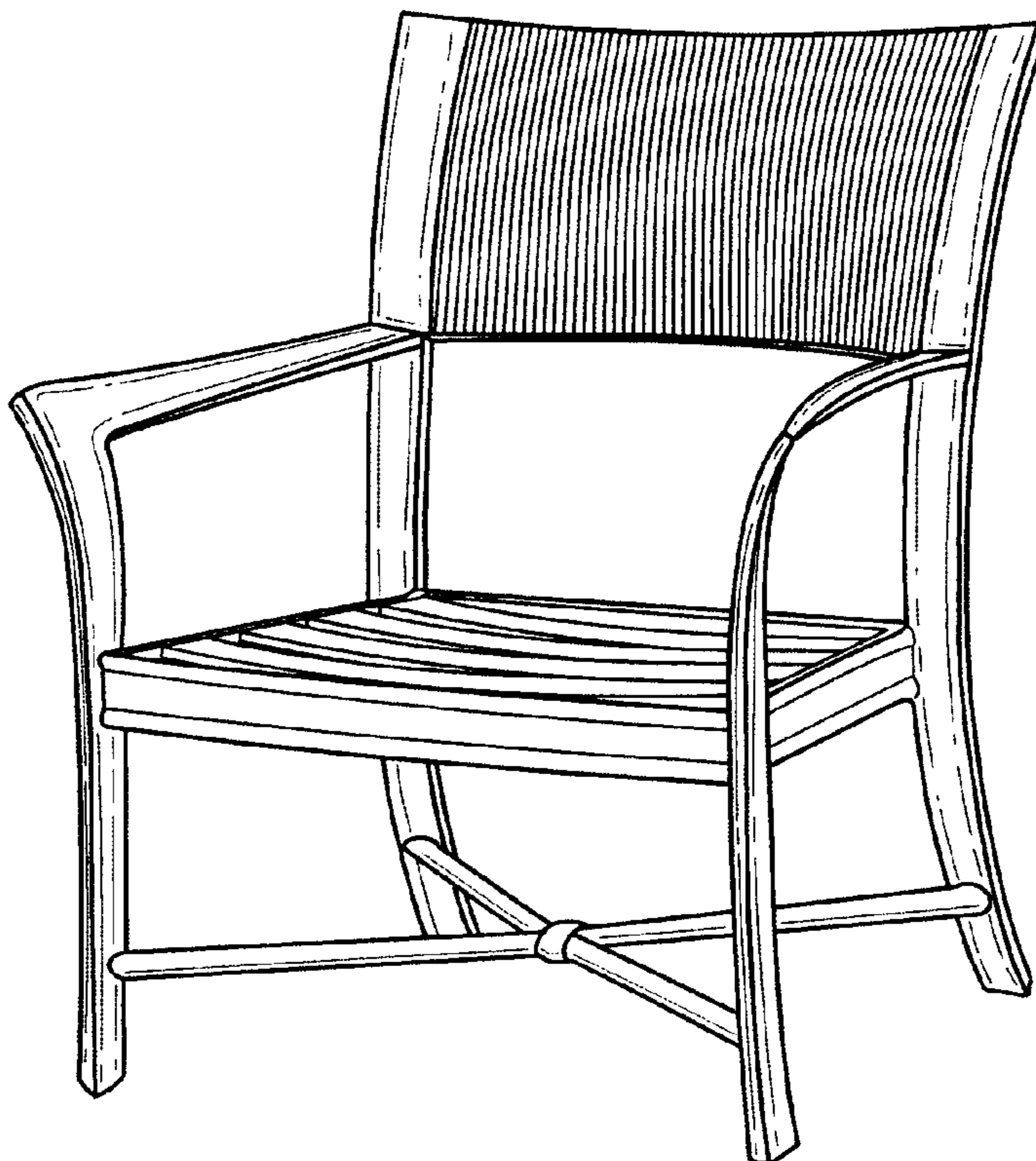
(57) **CLAIM**

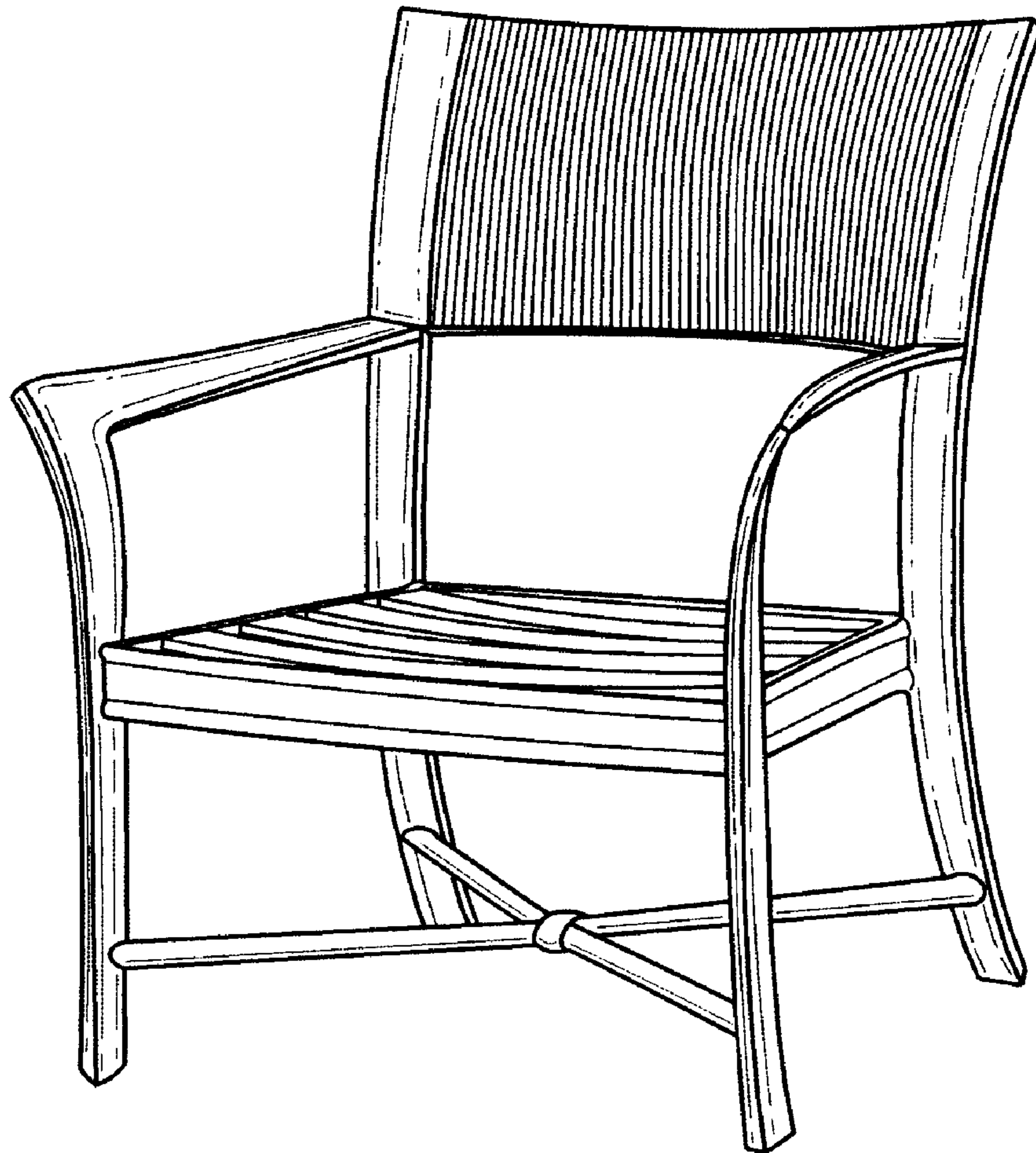
The ornamental design for a chair, as shown.

**DESCRIPTION**

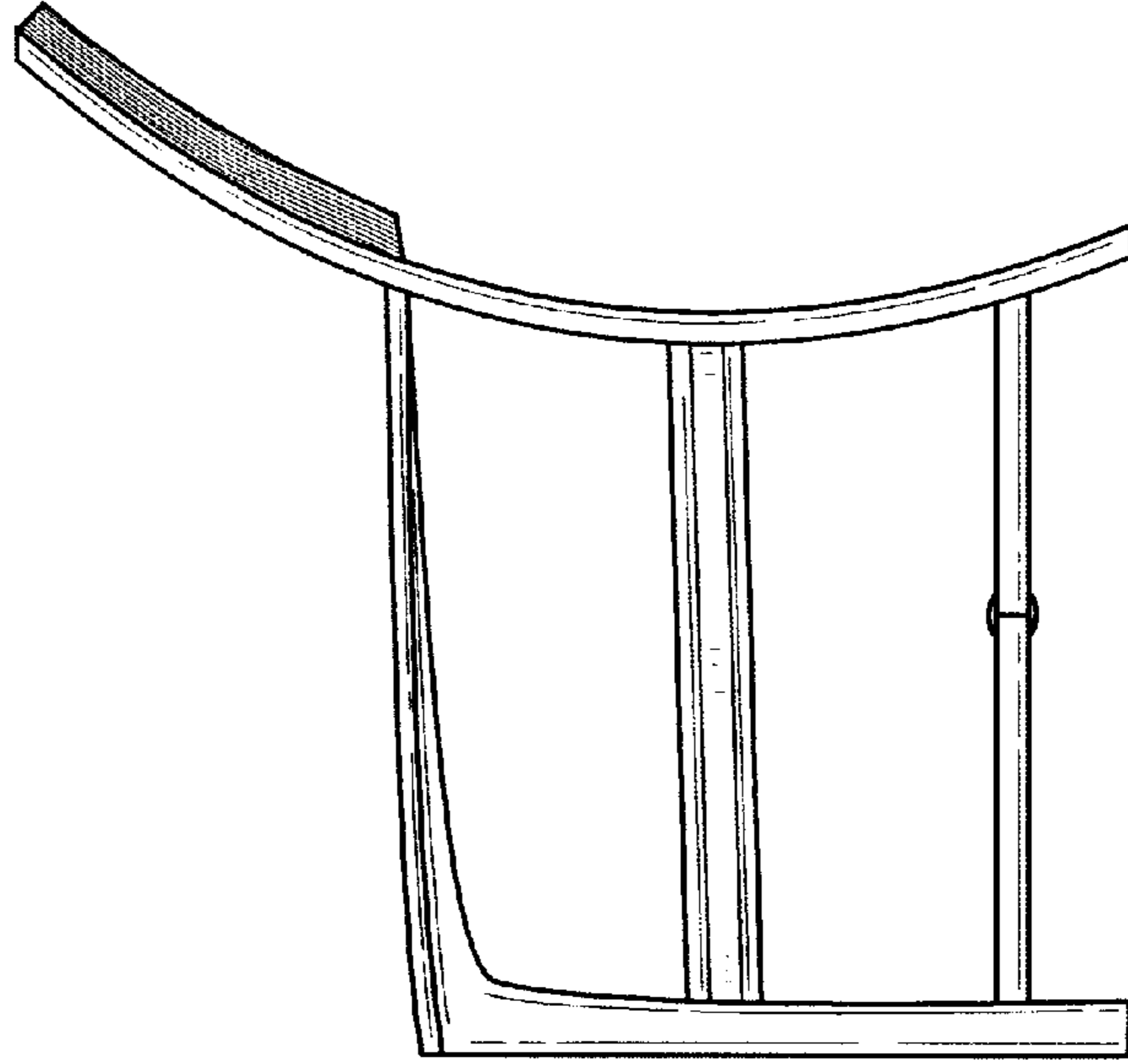
FIG. 1 is a left side and front perspective view;  
FIG. 2 is a right side view;  
FIG. 3 is a left side view;  
FIG. 4 is a front view;  
FIG. 5 is a rear view;  
FIG. 6 is a top view; and,  
FIG. 7 is a bottom view.

**1 Claim, 4 Drawing Sheets**

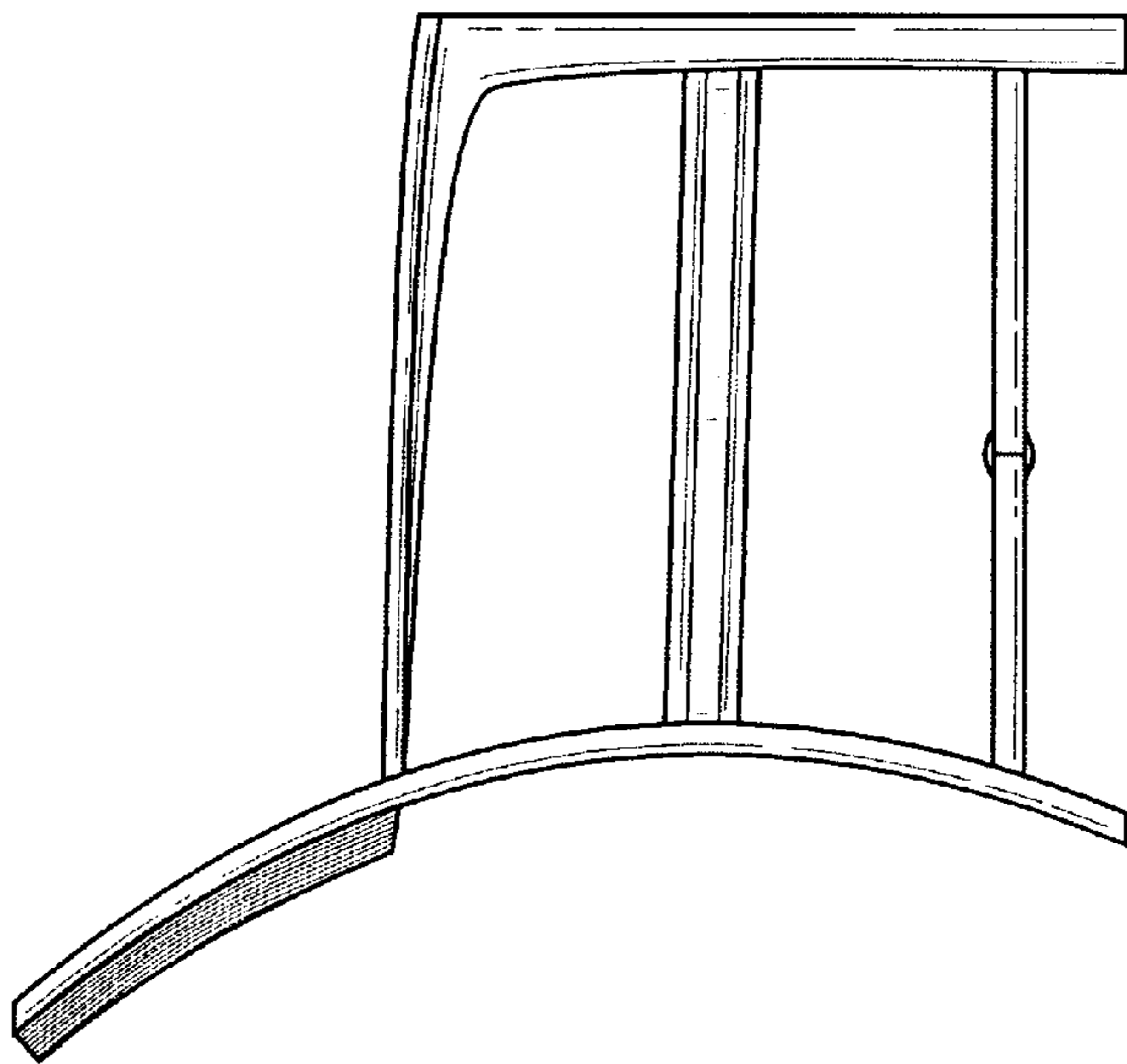




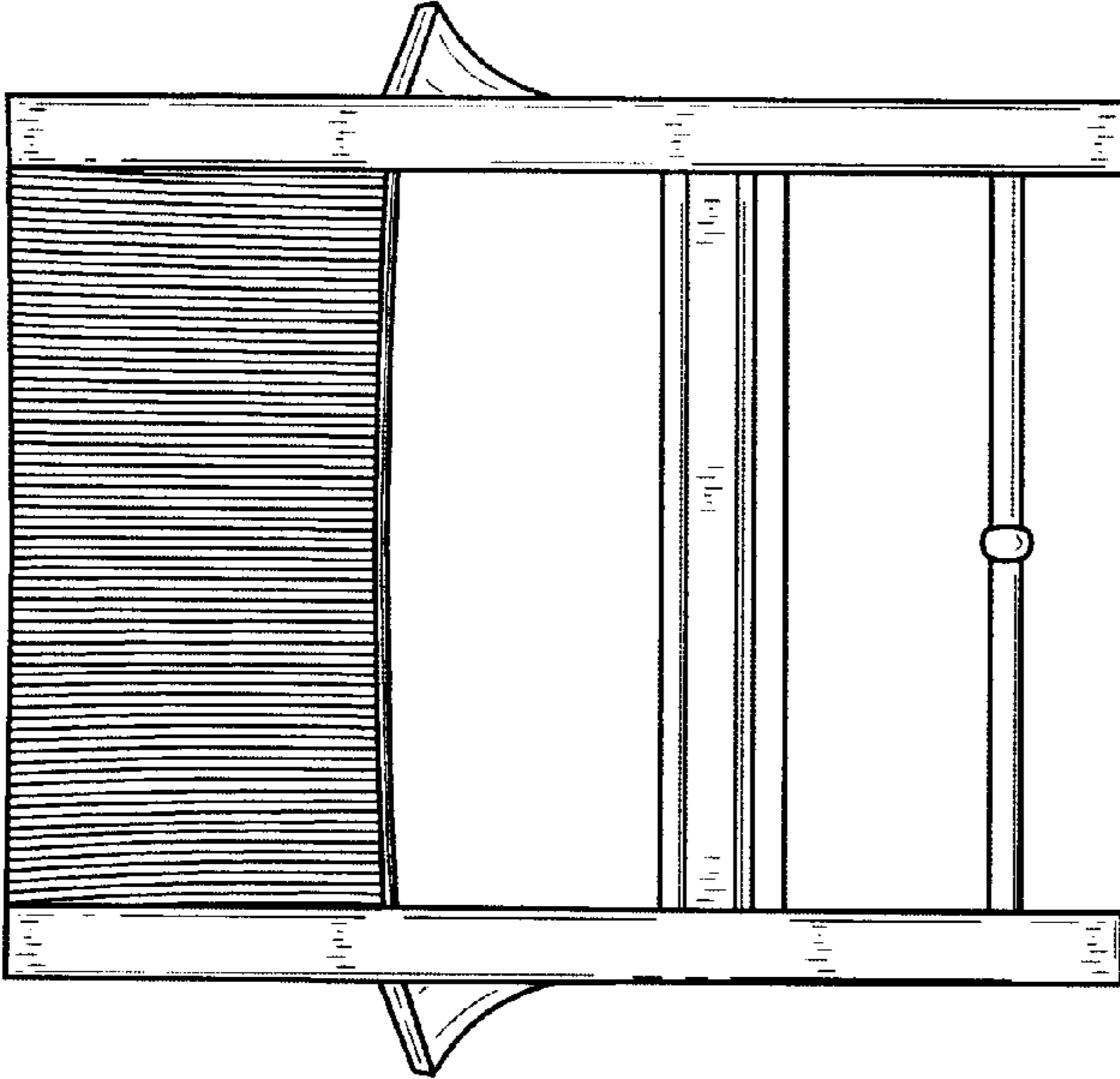
**FIG. 1**



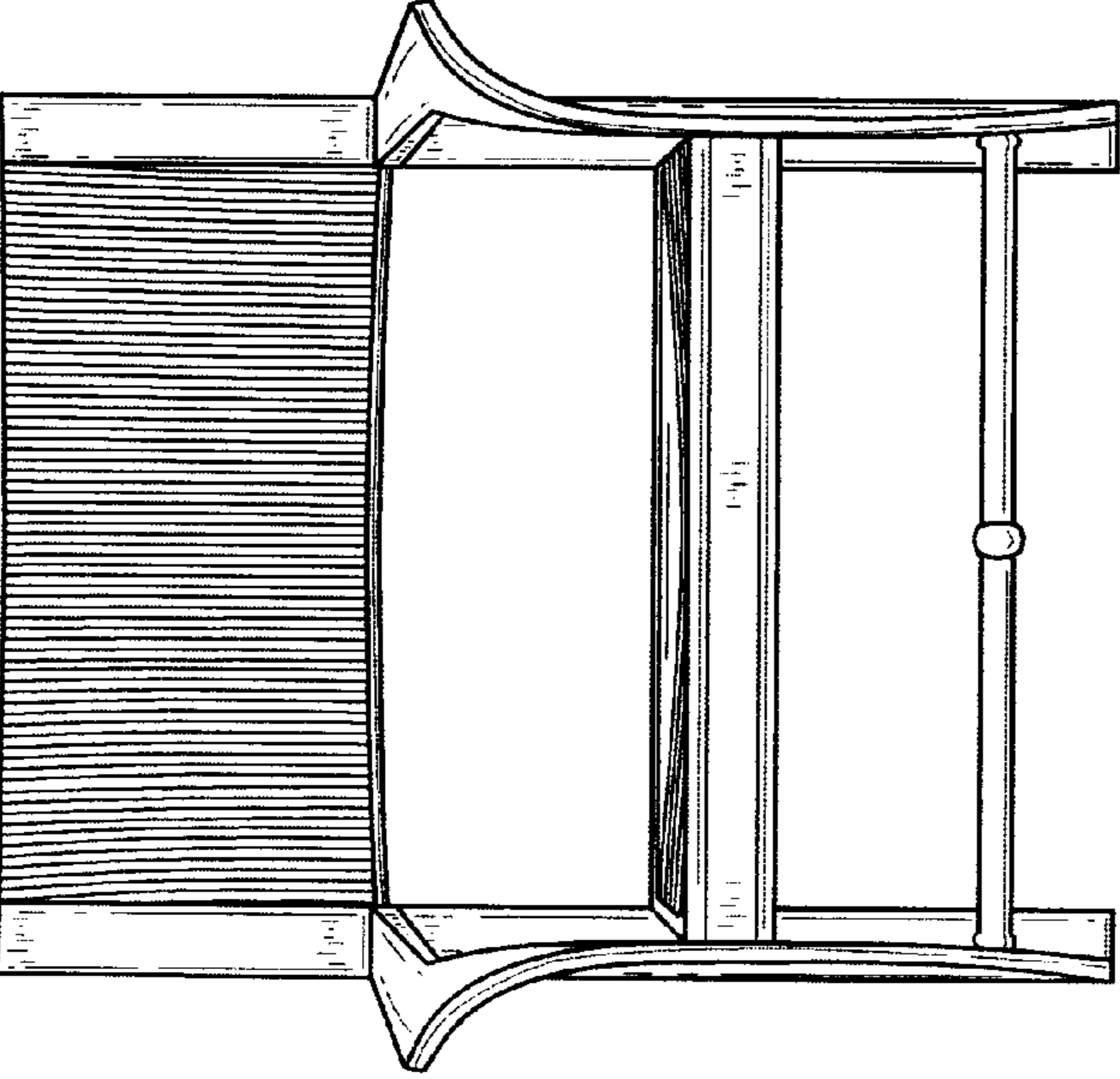
**FIG. 3**



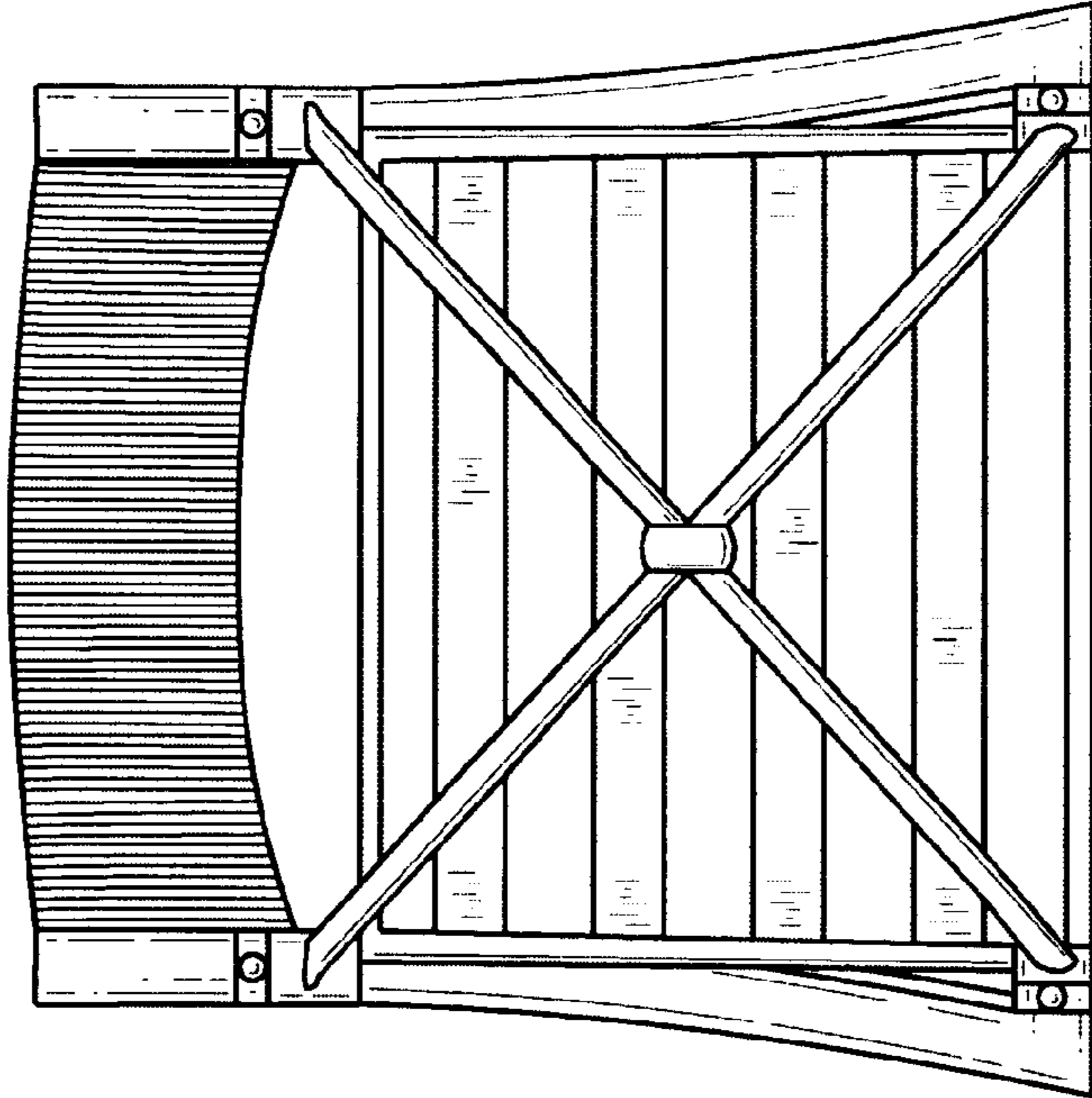
**FIG. 2**



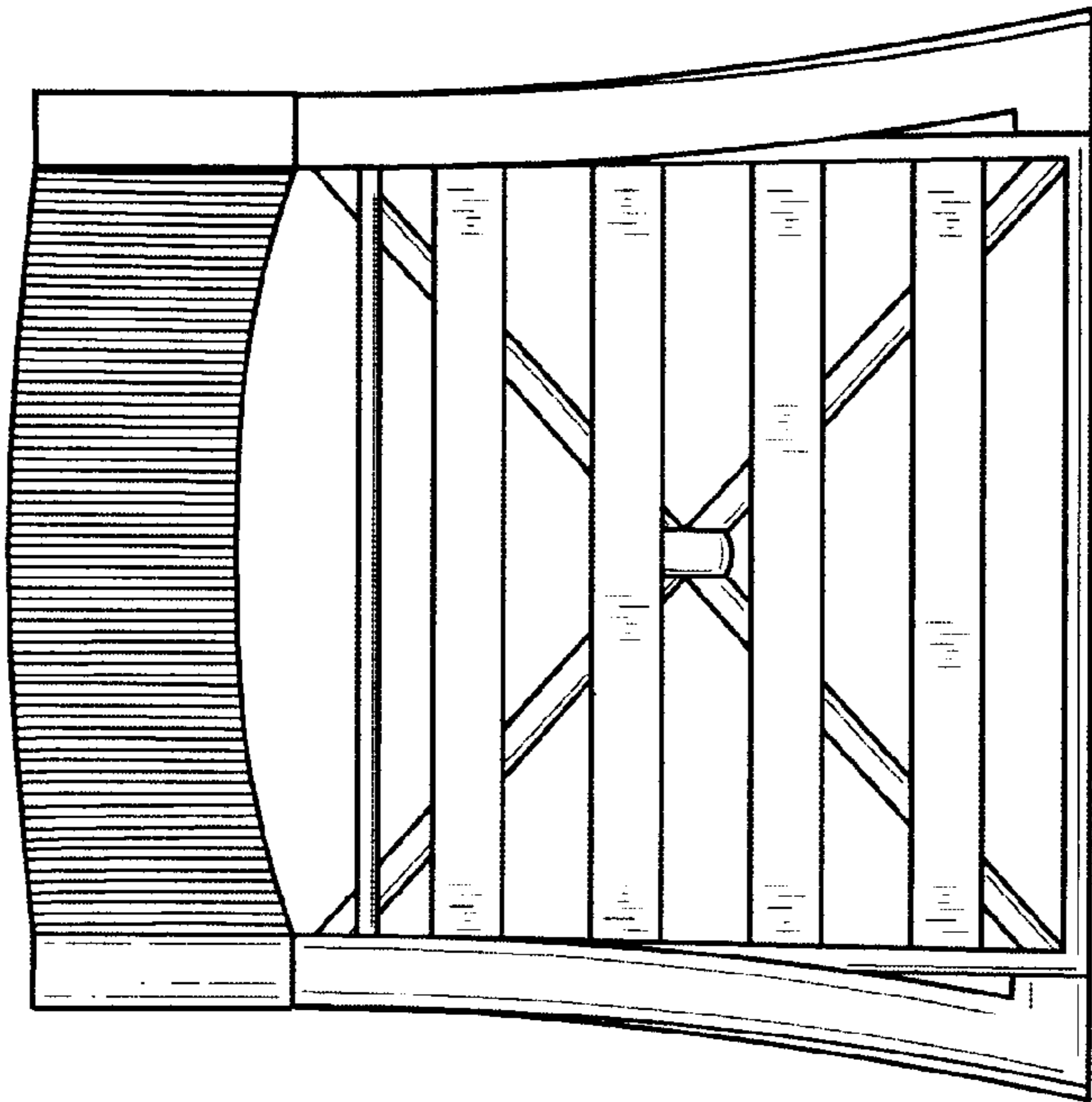
**FIG. 5**



**FIG. 4**



**FIG. 7**



**FIG. 6**