

US00D540055S

(12) **United States Design Patent**
Doughty

(10) **Patent No.:** **US D540,055 S**

(45) **Date of Patent:** **** Apr. 10, 2007**

(54) **CHAIR**

(75) **Inventor:** **Frederic C. Doughty**, Ventura, CA
(US)

(73) **Assignee:** **Agio International Co., Ltd.**, East
Kowloon (HK)

(**) **Term:** **14 Years**

(21) **Appl. No.:** **29/245,784**

(22) **Filed:** **Dec. 29, 2005**

(51) **LOC (8) Cl.** **06-01**

(52) **U.S. Cl.** **D6/370; D6/373**

(58) **Field of Classification Search** D6/334-336,
D6/369, 370, 373, 375, 376, 379, 380, 500-502;
297/411.42, 411.44, 411.45, 445.1, 446.1,
297/452.63, 452.64

See application file for complete search history.

(56) **References Cited**

U.S. PATENT DOCUMENTS

D87,266 S	*	6/1932	Levine	D6/370
D102,695 S	*	1/1937	McLellan	D6/370
D121,072 S	*	6/1940	Johnson	D6/370
D316,491 S	*	4/1991	Frinier	D6/379
D339,928 S	*	10/1993	Caldwell	D6/370
D340,146 S	*	10/1993	Caldwell	D6/370
D357,816 S	*	5/1995	Vine	D6/370
D358,721 S	*	5/1995	Hess	D6/373
D359,858 S	*	7/1995	Arthur, Jr.	D6/370

D368,597 S	*	4/1996	Tseng	D6/376
D370,359 S	*	6/1996	Tseng	D6/370
D372,134 S	*	7/1996	Martin	D6/376
D388,969 S	*	1/1998	Goodman	D6/376
D395,176 S	*	6/1998	Tseng	D6/379
D420,825 S	*	2/2000	Lin	D6/370
D431,727 S	*	10/2000	Bell	D6/373
D442,383 S	*	5/2001	Bell	D6/375
D445,272 S	*	7/2001	Rehmert et al.	D6/376
D448,188 S	*	9/2001	Caldwell	D6/370
D448,195 S	*	9/2001	Caldwell	D6/376
D485,083 S	*	1/2004	Frinier	D6/379
D525,799 S	*	8/2006	Lowsky	D6/370
D526,800 S	*	8/2006	Tseng	D6/370

* cited by examiner

Primary Examiner—Mimosa De

(74) *Attorney, Agent, or Firm*—Williams Mullen; M. Bruce
Harper

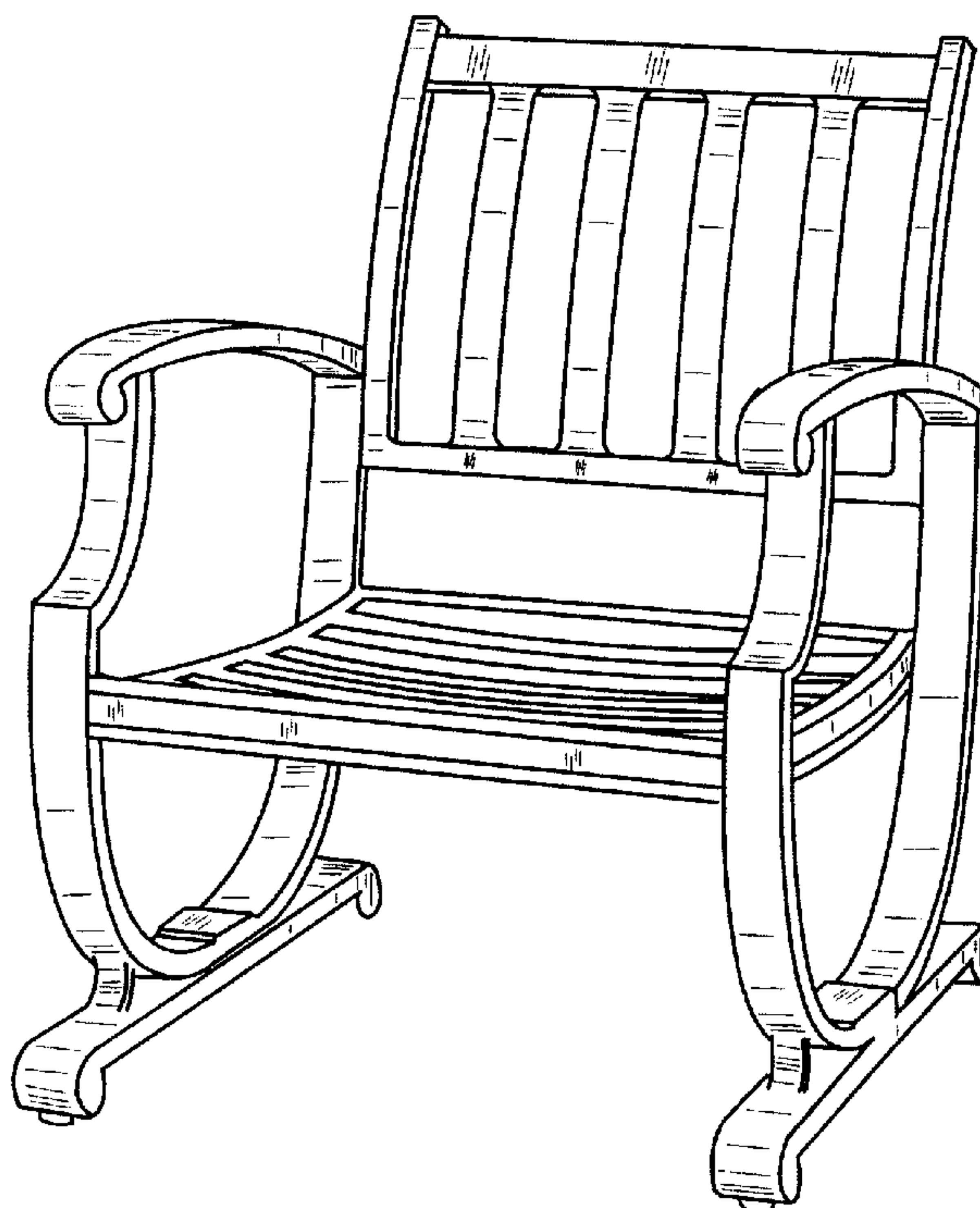
(57) **CLAIM**

The ornamental design for a chair, as shown.

DESCRIPTION

FIG. 1 is a left side and front perspective view;
FIG. 2 is a front view;
FIG. 3 is a rear view;
FIG. 4 is a right side view;
FIG. 5 is a left side view;
FIG. 6 is a top view; and,
FIG. 7 is a bottom view.

1 Claim, 4 Drawing Sheets



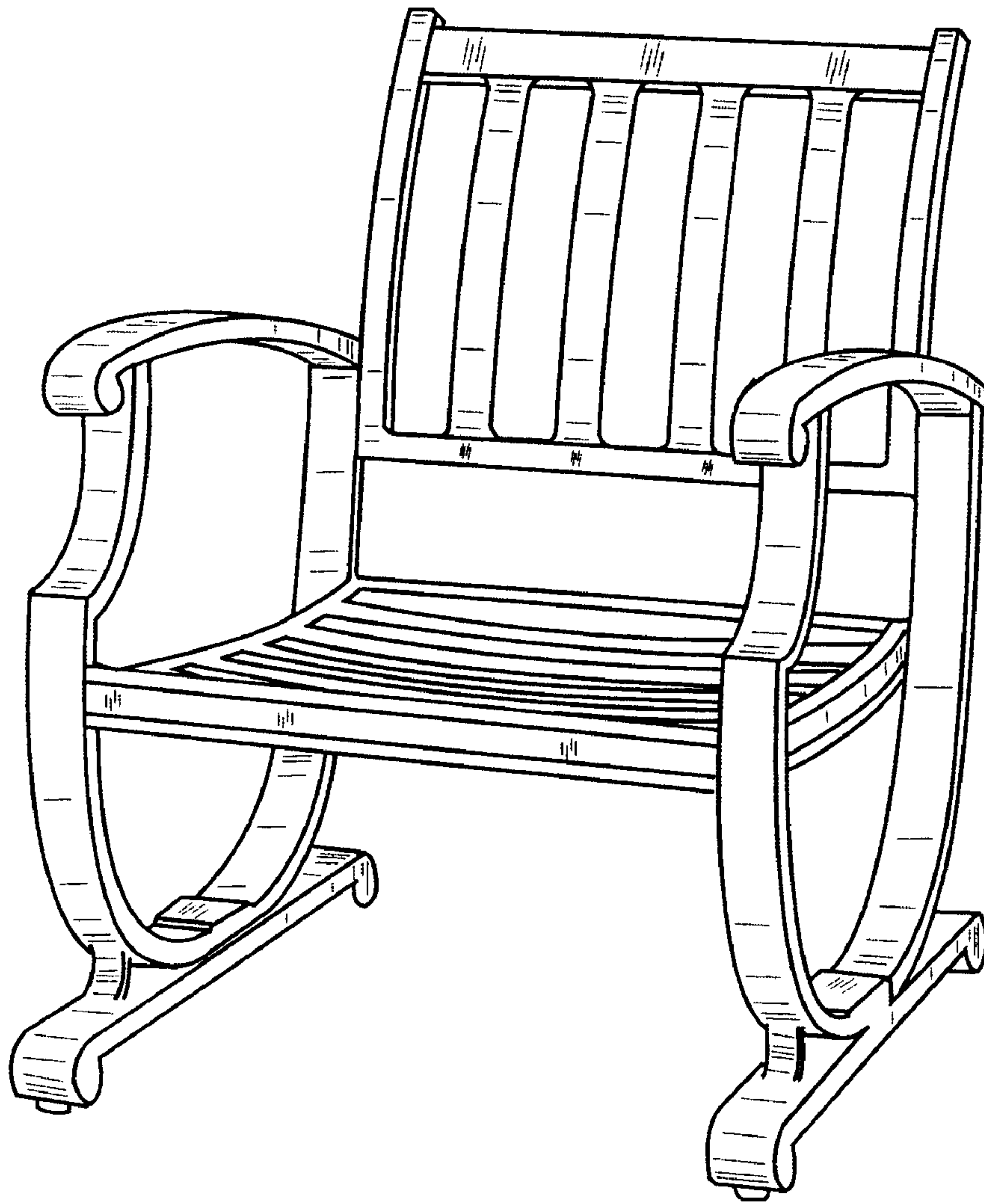


FIG. 1

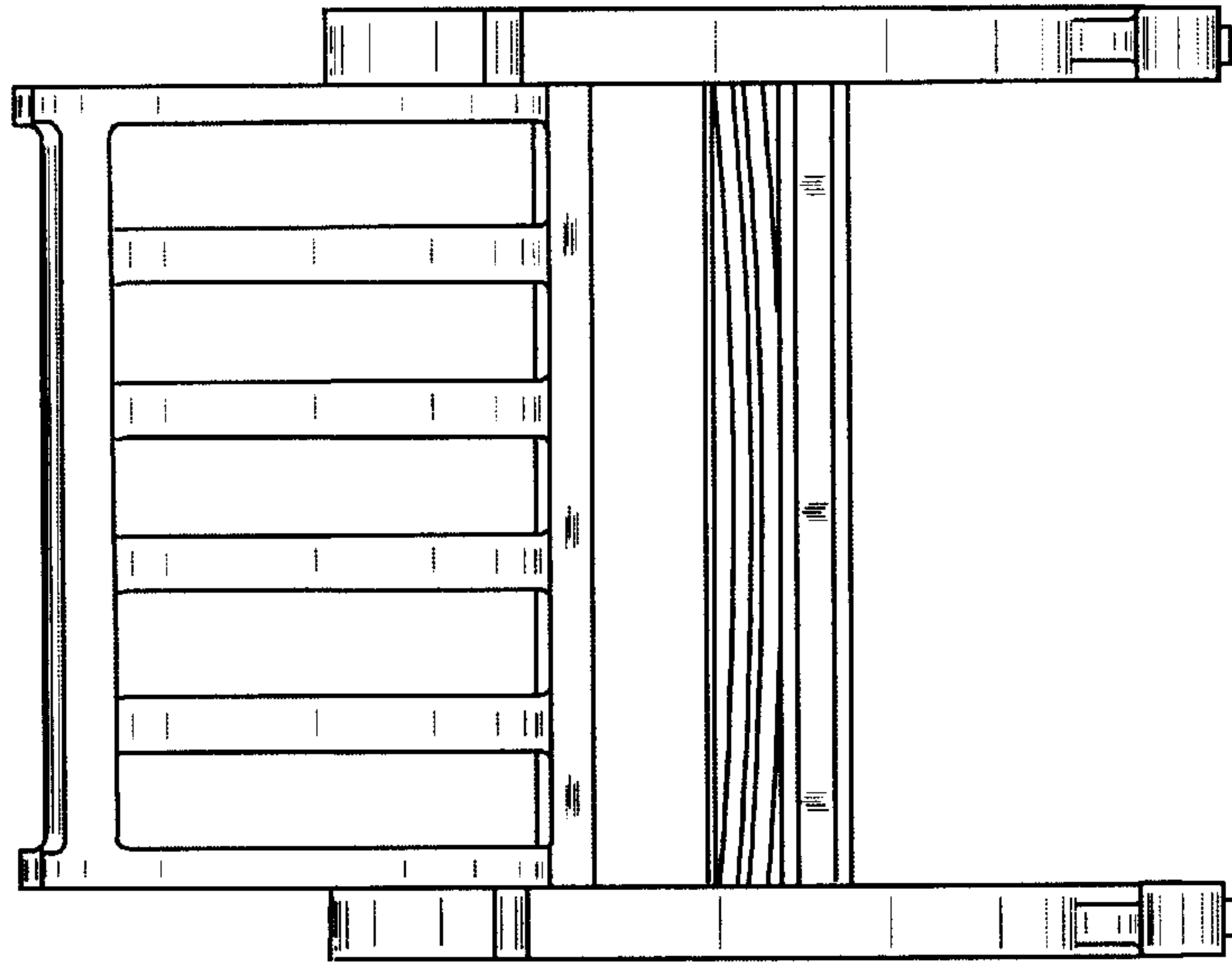


FIG. 3

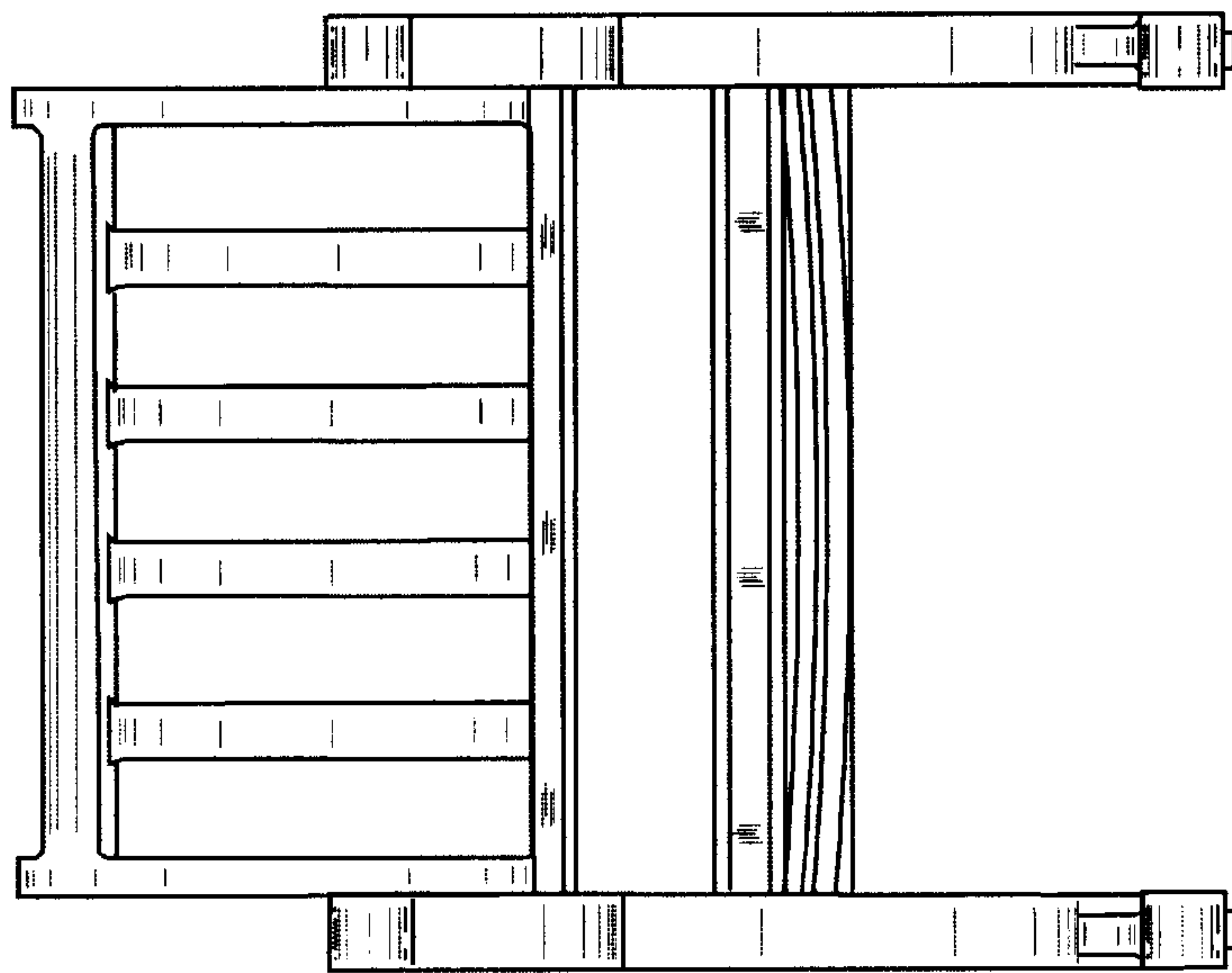


FIG. 2

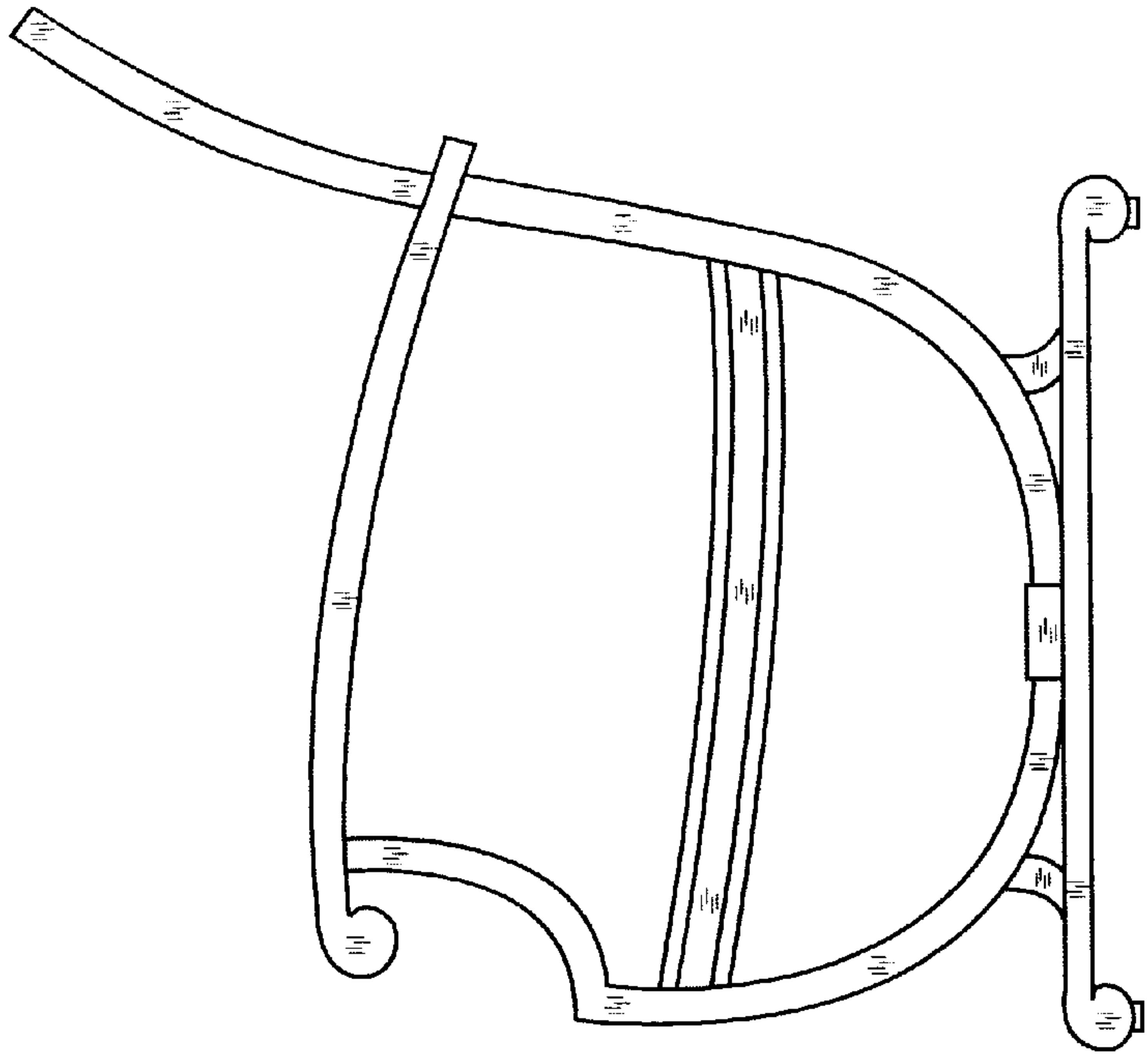


FIG. 5

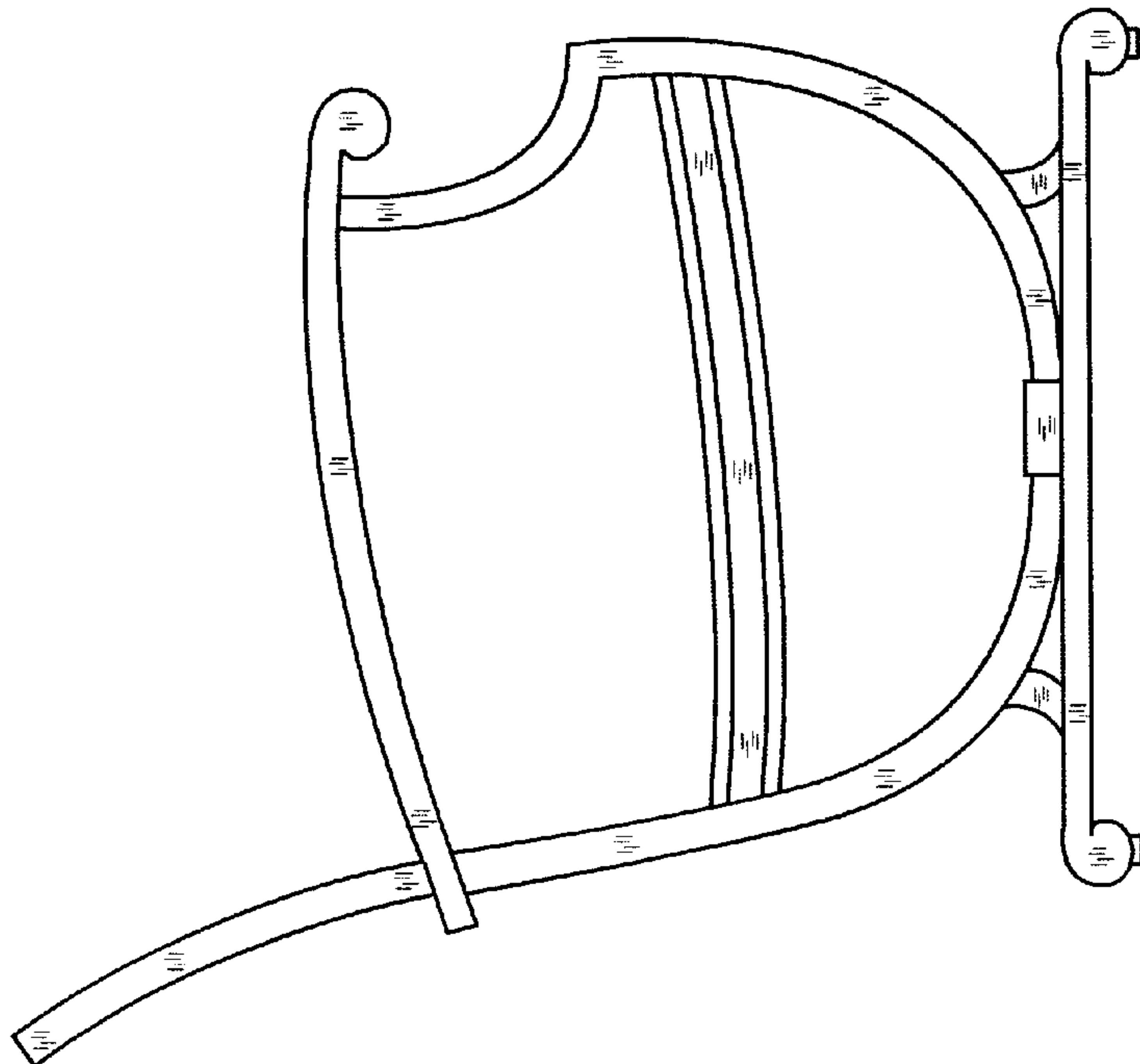


FIG. 4

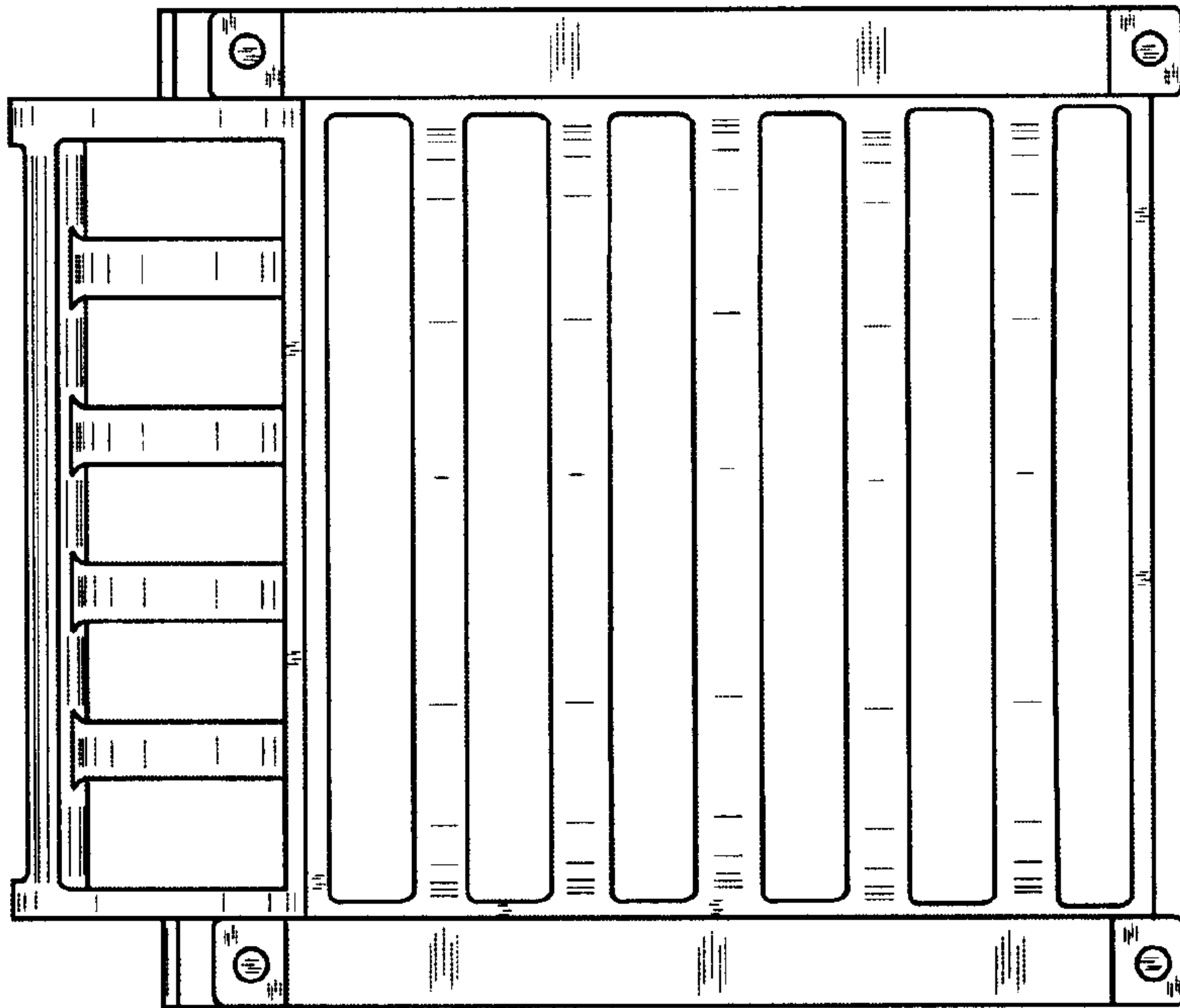


FIG. 6

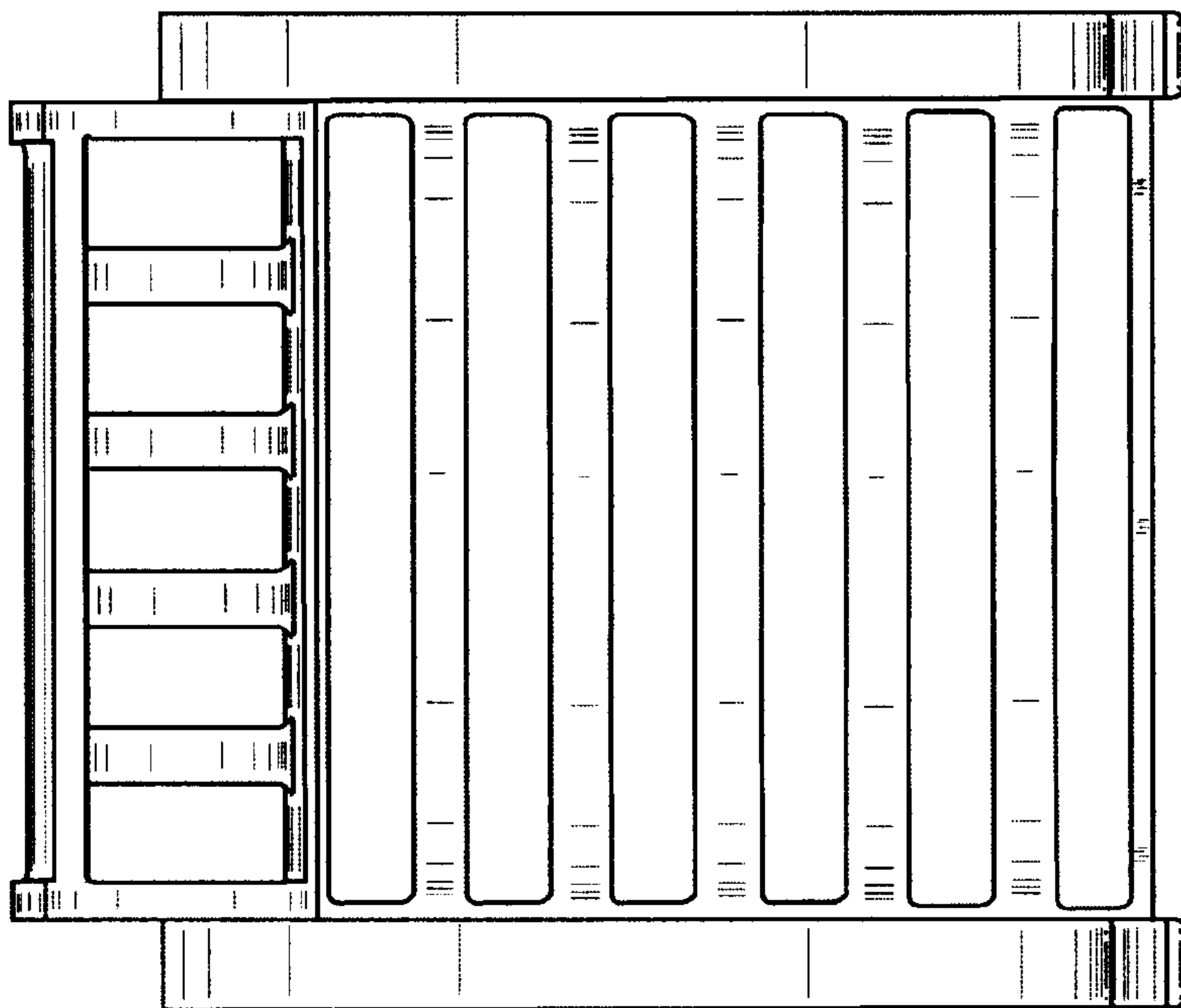


FIG. 7