

US00D540053S

(12) **United States Design Patent**  
**Kimoto**

(10) **Patent No.:** **US D540,053 S**

(45) **Date of Patent:** **\*\* Apr. 10, 2007**

(54) **CHAIR-TYPE MASSAGER**

(75) Inventor: **Fumizo Kimoto**, Tatsuno (JP)

(73) Assignee: **Sanyo Electric Co., Ltd.**,  
Moriguchi-Shi (JP)

(\*\*) Term: **14 Years**

(21) Appl. No.: **29/265,270**

(22) Filed: **Aug. 29, 2006**

(30) **Foreign Application Priority Data**

Mar. 1, 2006 (JP) ..... 2006-005023

(51) **LOC (8) Cl.** ..... **06-01**

(52) **U.S. Cl.** ..... **D6/367; D24/200**

(58) **Field of Classification Search** ..... D24/200,  
D24/215; 601/97-99, 102, 115, 116, 148,  
601/149; D6/334, 335, 336, 360, 361, 367,  
D6/371, 373, 500-502; 297/85, 281, 271.1,  
297/271.3, 423.2, 423.19, 411.45

See application file for complete search history.

(56) **References Cited**

**U.S. PATENT DOCUMENTS**

D372,801 S \* 8/1996 Fujimoto et al. .... D6/367

D471,372 S \* 3/2003 Inada et al. .... D6/367

D491,375 S \* 6/2004 Yuyama ..... D6/335

D502,607 S \* 3/2005 Miyake et al. .... D6/335

D502,817 S \* 3/2005 Inada et al. .... D6/367

D503,048 S \* 3/2005 Inada et al. .... D6/367

D508,617 S \* 8/2005 Potter ..... D6/367

D517,337 S \* 3/2006 Mori ..... D6/367

D517,338 S \* 3/2006 Inada et al. .... D6/367

D531,424 S \* 11/2006 Kusachi ..... D6/367

\* cited by examiner

*Primary Examiner*—Ian Simmons

*Assistant Examiner*—Melanie Levy

(74) *Attorney, Agent, or Firm*—Foley & Lardner LLP

(57) **CLAIM**

The ornamental design for a chair-type massager, as shown.

**DESCRIPTION**

FIG. 1 is a perspective view of a chair-type massager showing my new design;

FIG. 2 is a front view thereof;

FIG. 3 is a rear view thereof;

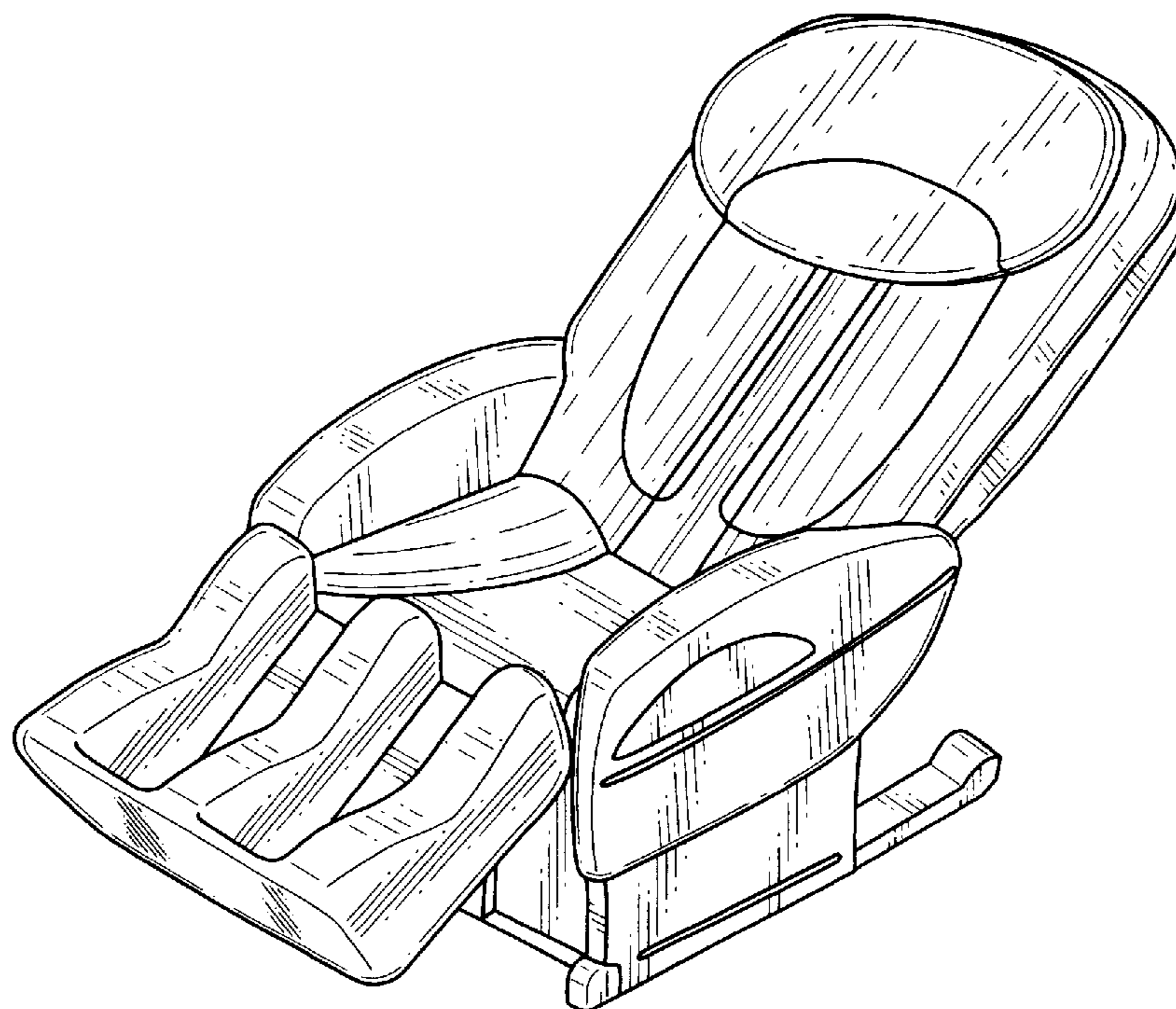
FIG. 4 is a top plan view thereof;

FIG. 5 is a bottom plan view thereof;

FIG. 6 is a right side view thereof; and,

FIG. 7 is a perspective view showing the state of backrest in an upright position and footrest in a put-down position thereof.

**1 Claim, 4 Drawing Sheets**



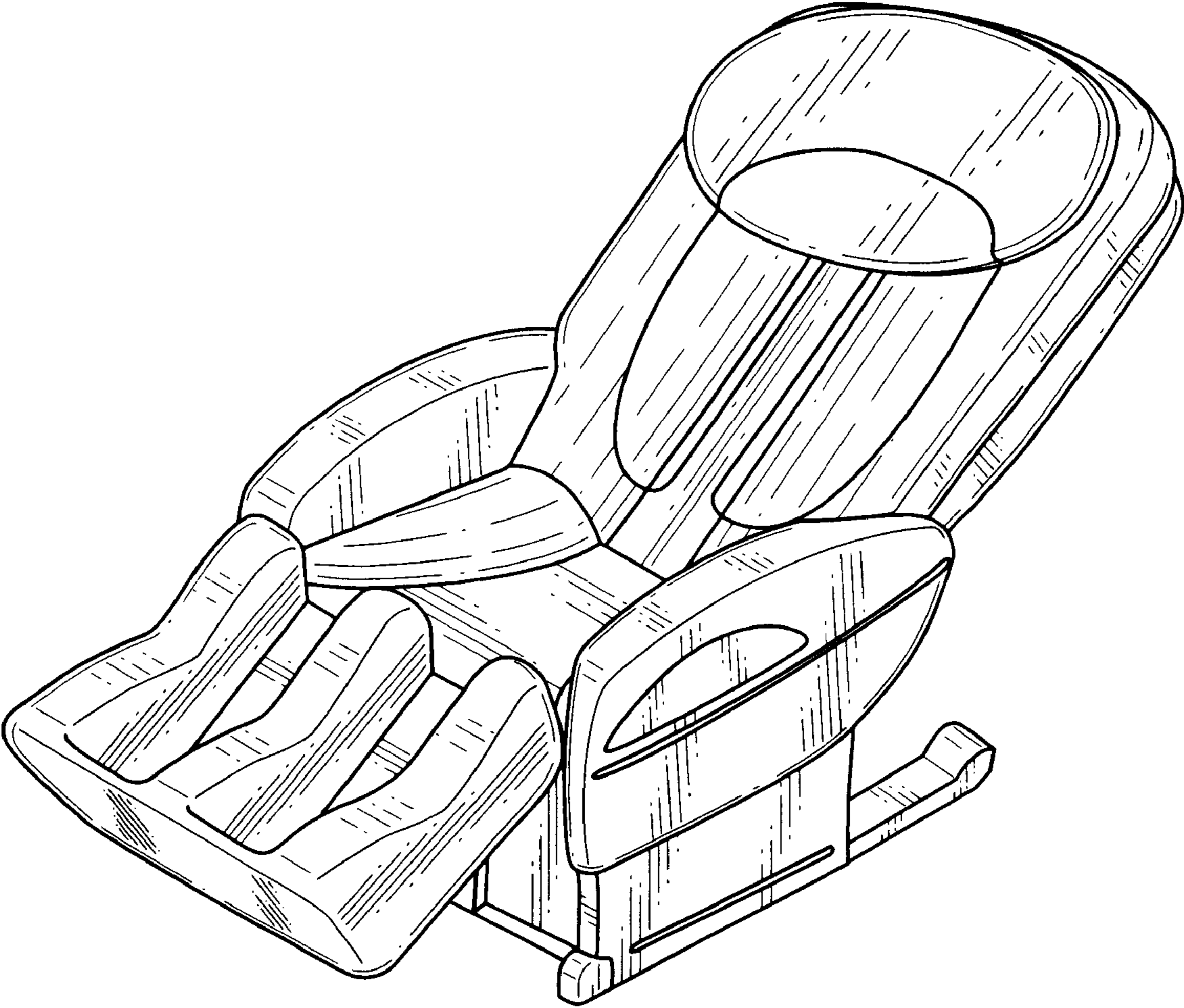


Fig. 1

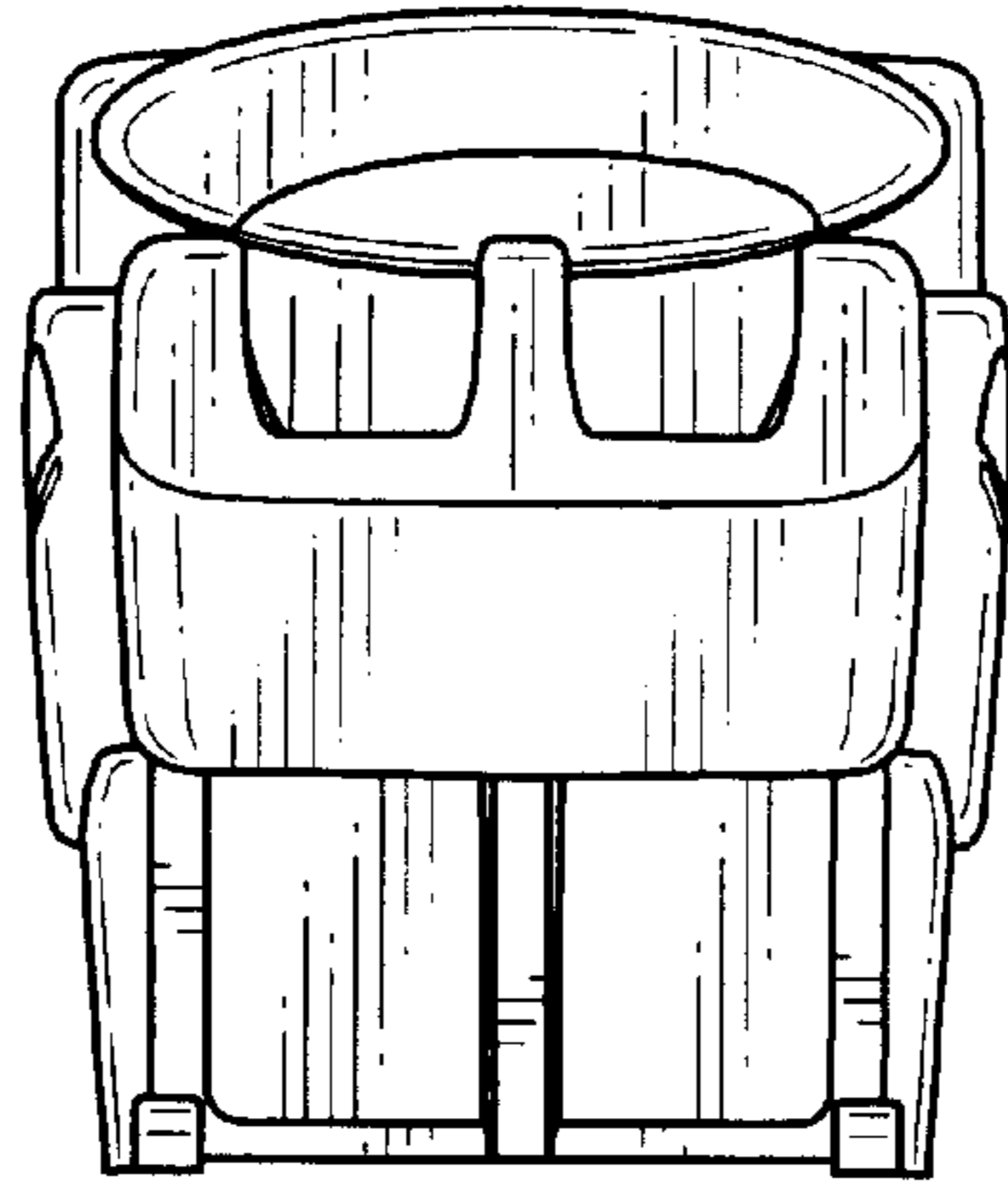


Fig. 2

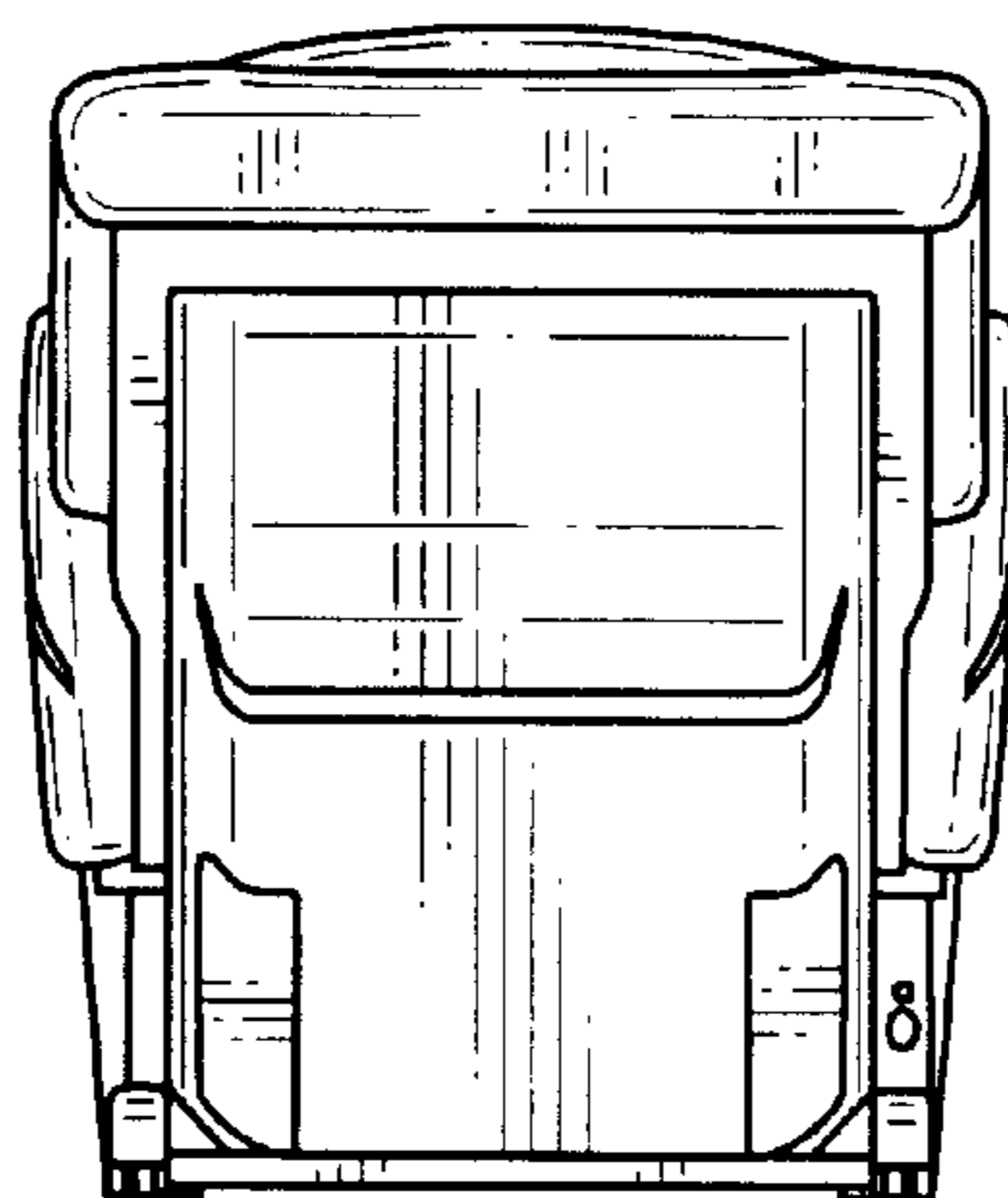


Fig. 3

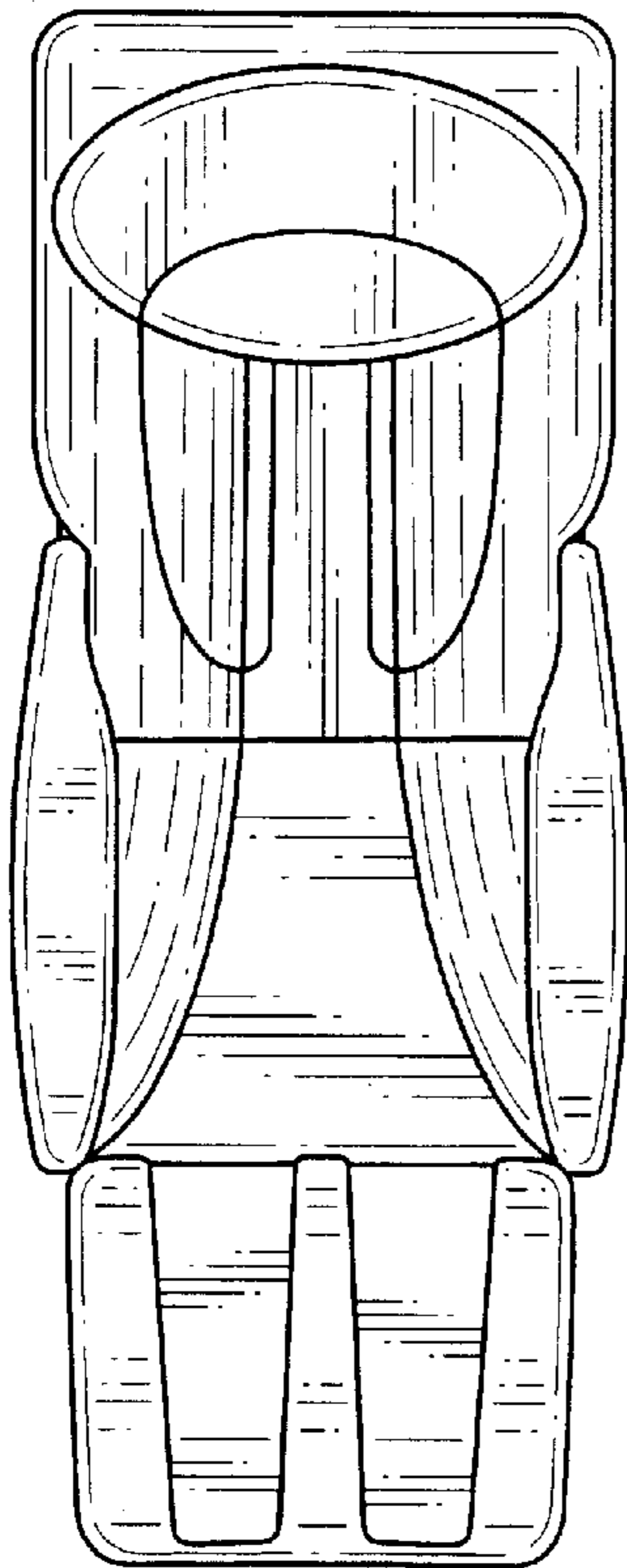


Fig. 4

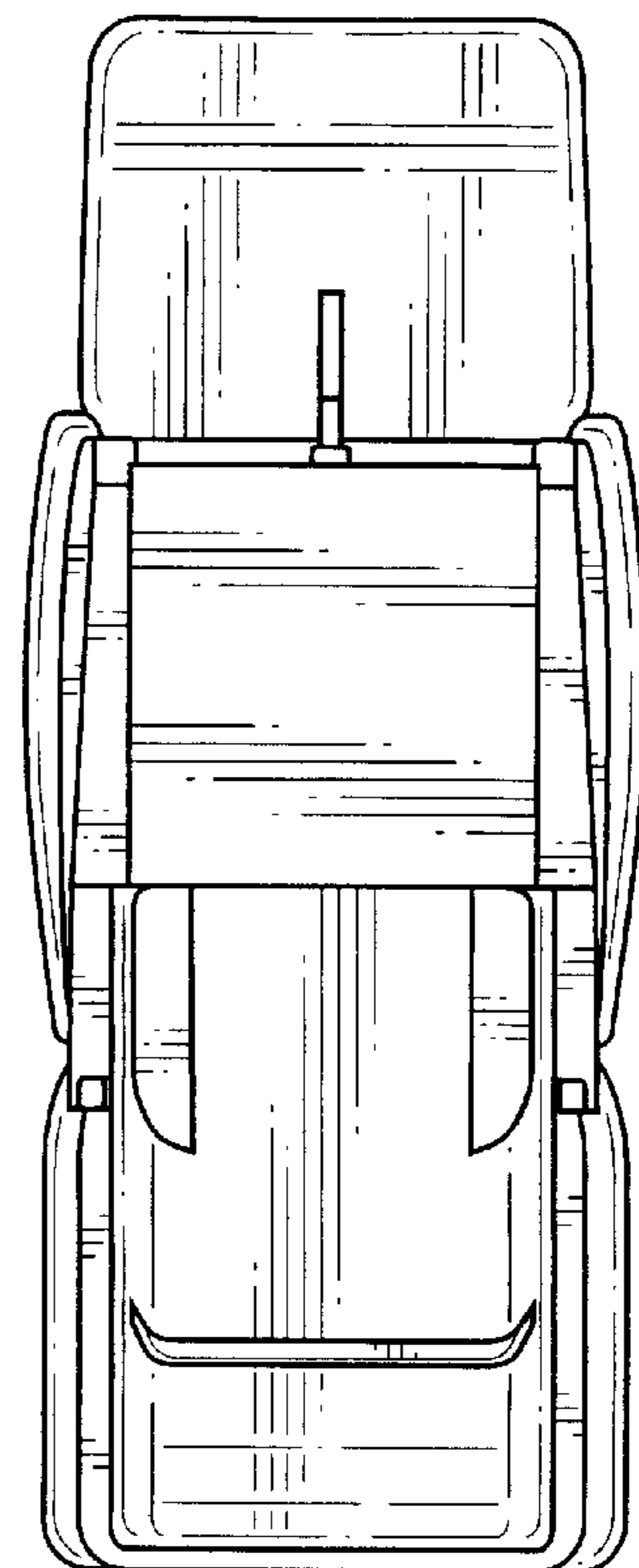


Fig. 5

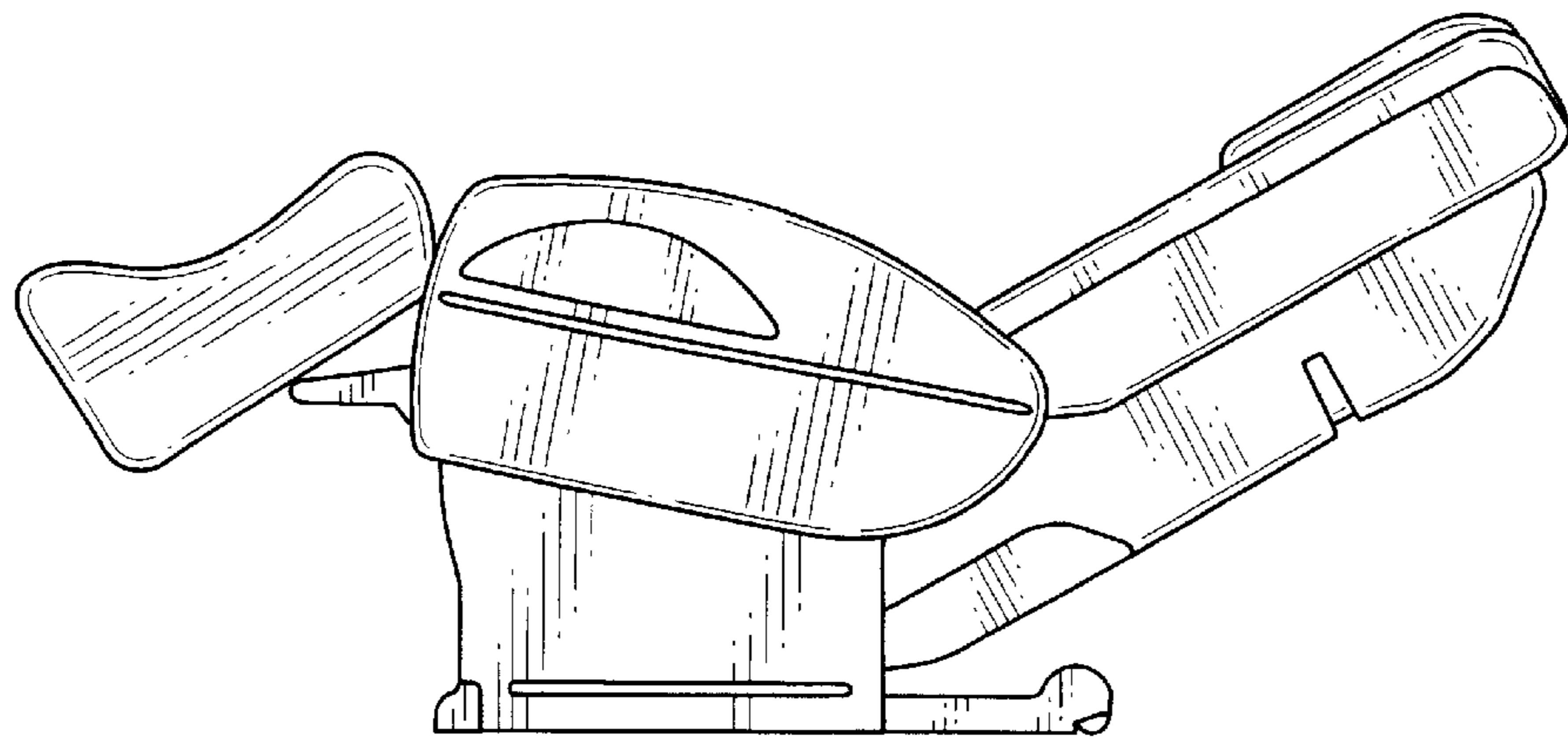


Fig. 6

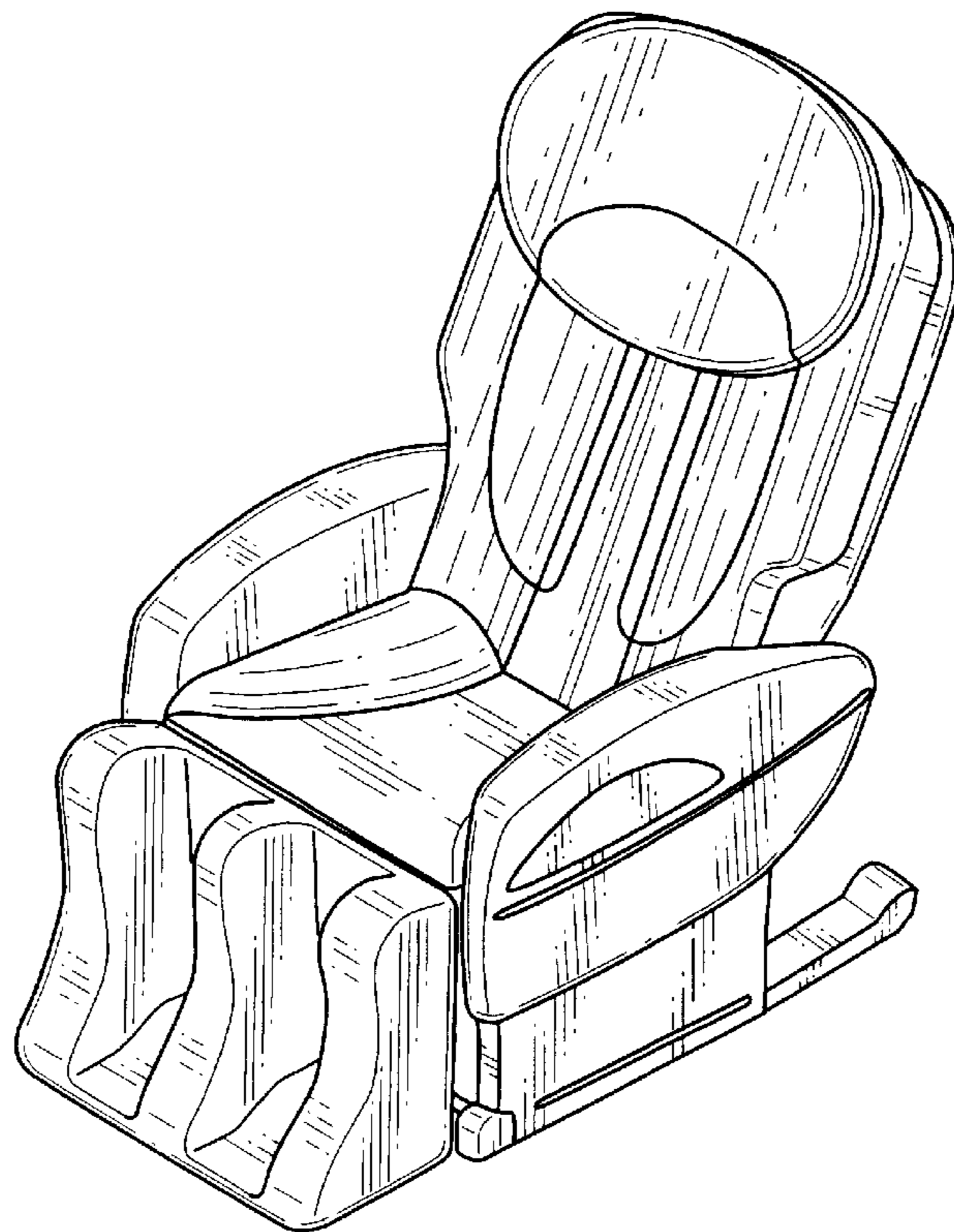


Fig. 7