

US00D540050S

(12) **United States Design Patent**
Su

(10) **Patent No.:** **US D540,050 S**

(45) **Date of Patent:** **** Apr. 10, 2007**

(54) **OFFICE CHAIR**

(76) **Inventor:** **Shu O Su**, No. 63, Lane 128, Beicheng Rd., Tainan City (TW)

(**) **Term:** **14 Years**

(21) **Appl. No.:** **29/258,091**

(22) **Filed:** **Apr. 14, 2006**

(51) **LOC (8) Cl.** **06-01**

(52) **U.S. Cl.** **D6/366**

(58) **Field of Classification Search** D6/334-336,
D6/364, 365, 366, 367, 379, 380, 498, 500-502;
297/296, 298, 411.36, 452.29, 452.3, 452.64;
248/188.7

See application file for complete search history.

(56) **References Cited**

U.S. PATENT DOCUMENTS

- D165,322 S * 12/1951 Burdick D6/366
- D188,656 S * 8/1960 Wagner D6/366
- D351,741 S * 10/1994 Pollock D6/366

- D393,755 S * 4/1998 Nemeth, Jr. D6/366
- D449,172 S * 10/2001 Van De Riet et al. D6/366
- D510,488 S * 10/2005 Su D6/366
- D512,574 S * 12/2005 Tsai D6/366

* cited by examiner

Primary Examiner—Mimosa De

(74) *Attorney, Agent, or Firm*—Pro-Techtor Int'l Services

(57) **CLAIM**

The ornamental design for a office chair, as shown and described.

DESCRIPTION

FIG. 1 is a perspective view of a office chair showing my new design;

FIG. 2 is a front view of the design;

FIG. 3 is a rear view of the design;

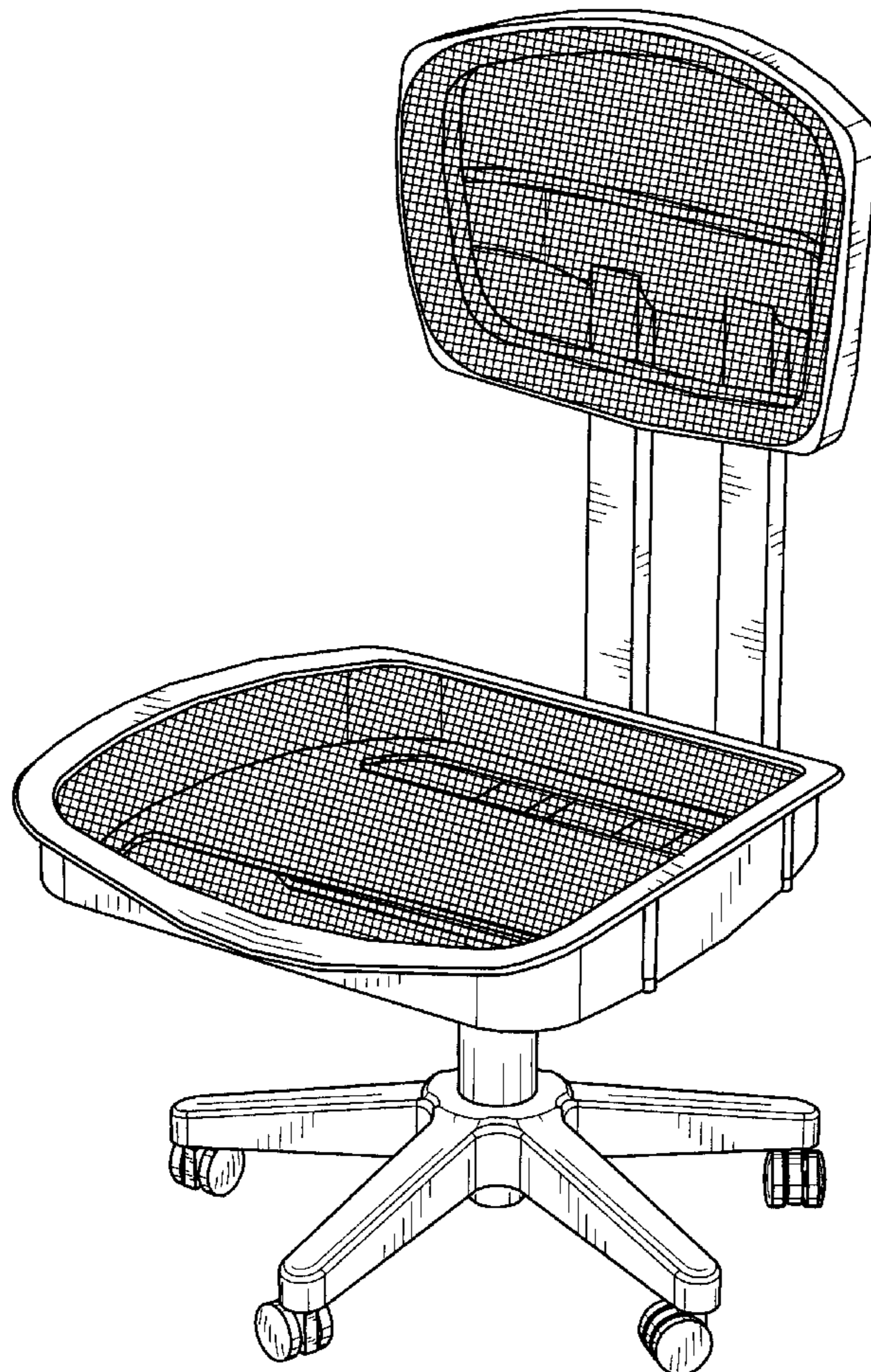
FIG. 4 is a left side view of the design;

FIG. 5 is a right side view of the design;

FIG. 6 is a top view of the design; and,

FIG. 7 is a bottom view of the design.

1 Claim, 4 Drawing Sheets



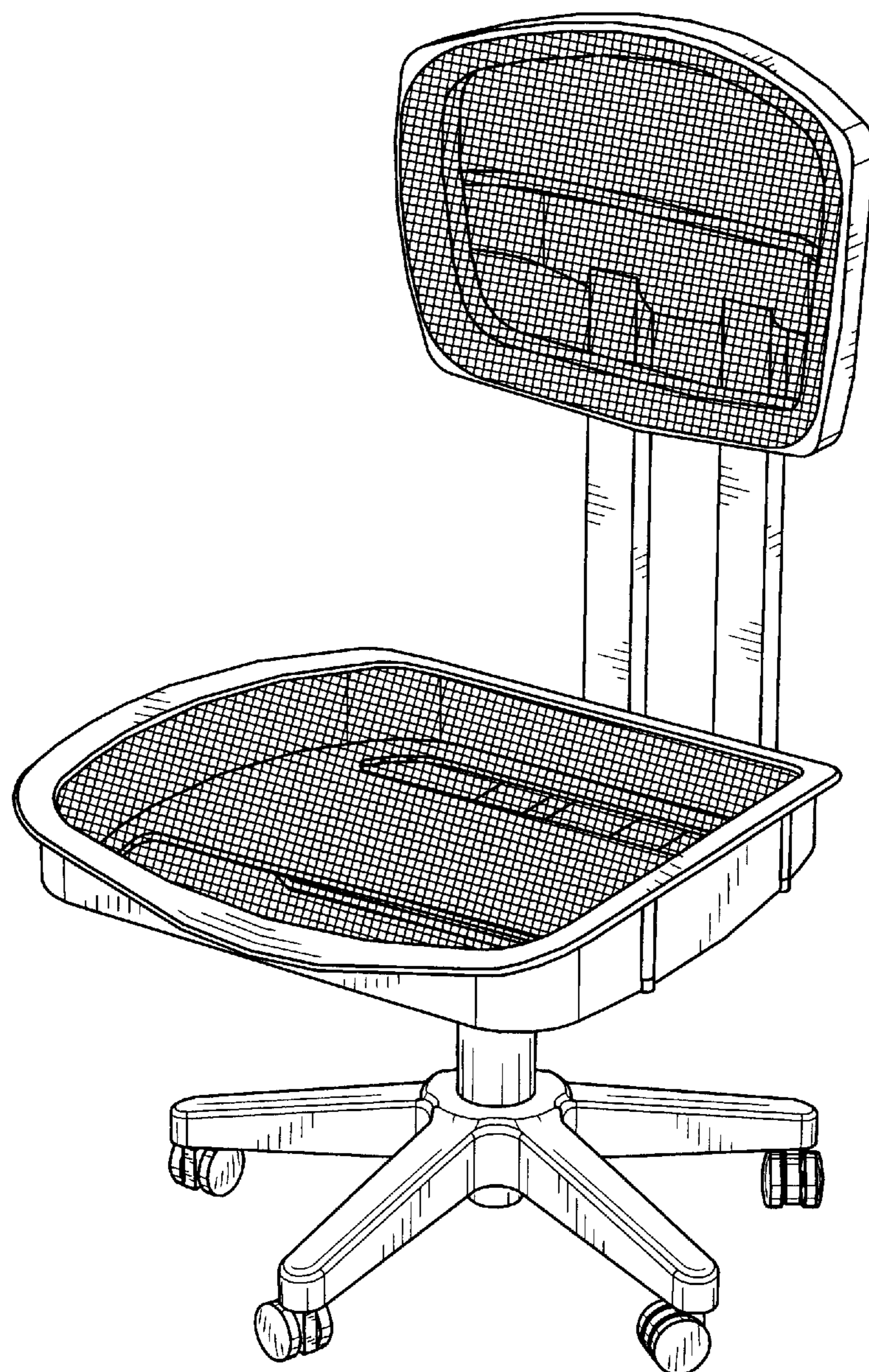


FIG. 1

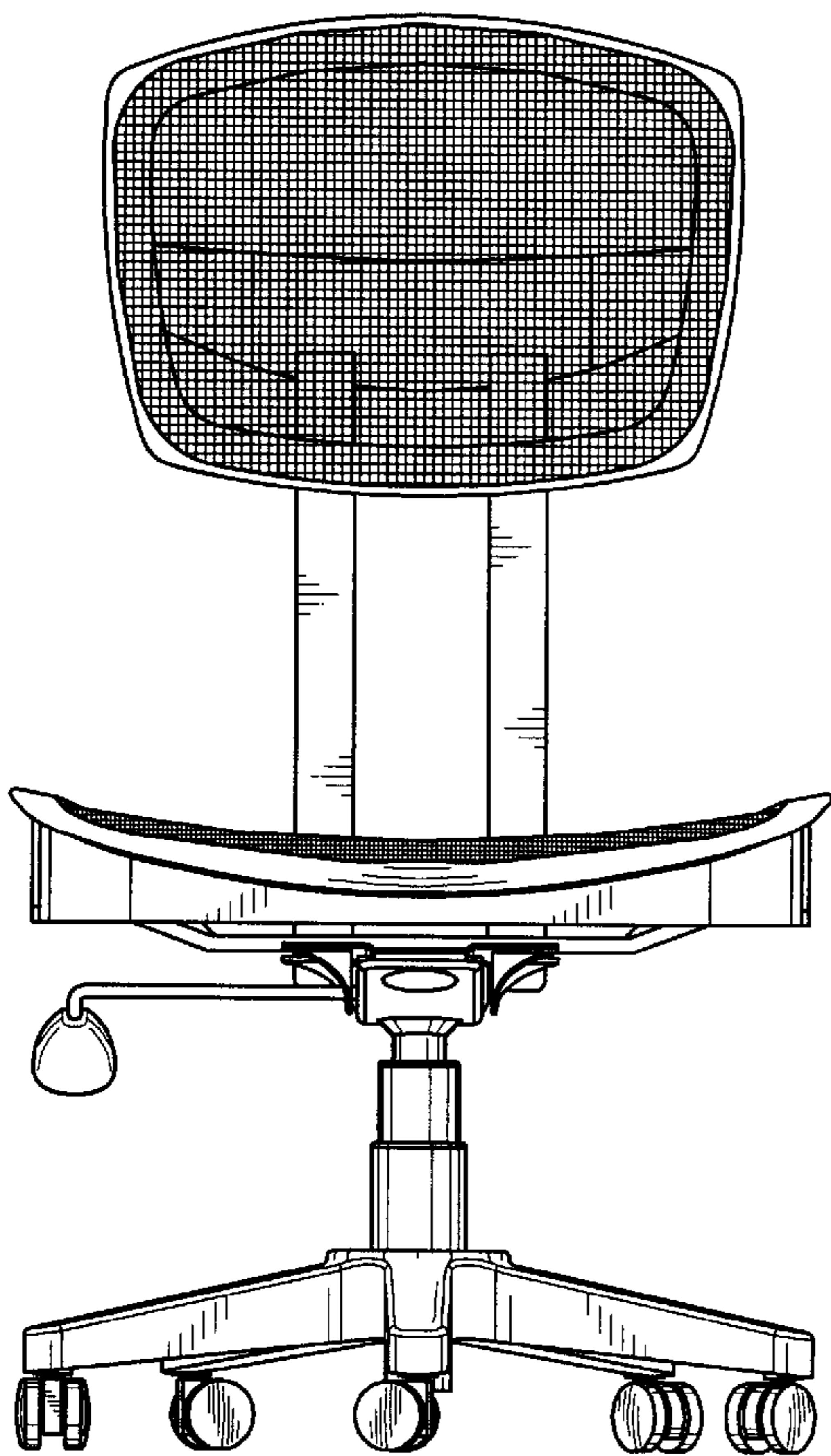


FIG. 2

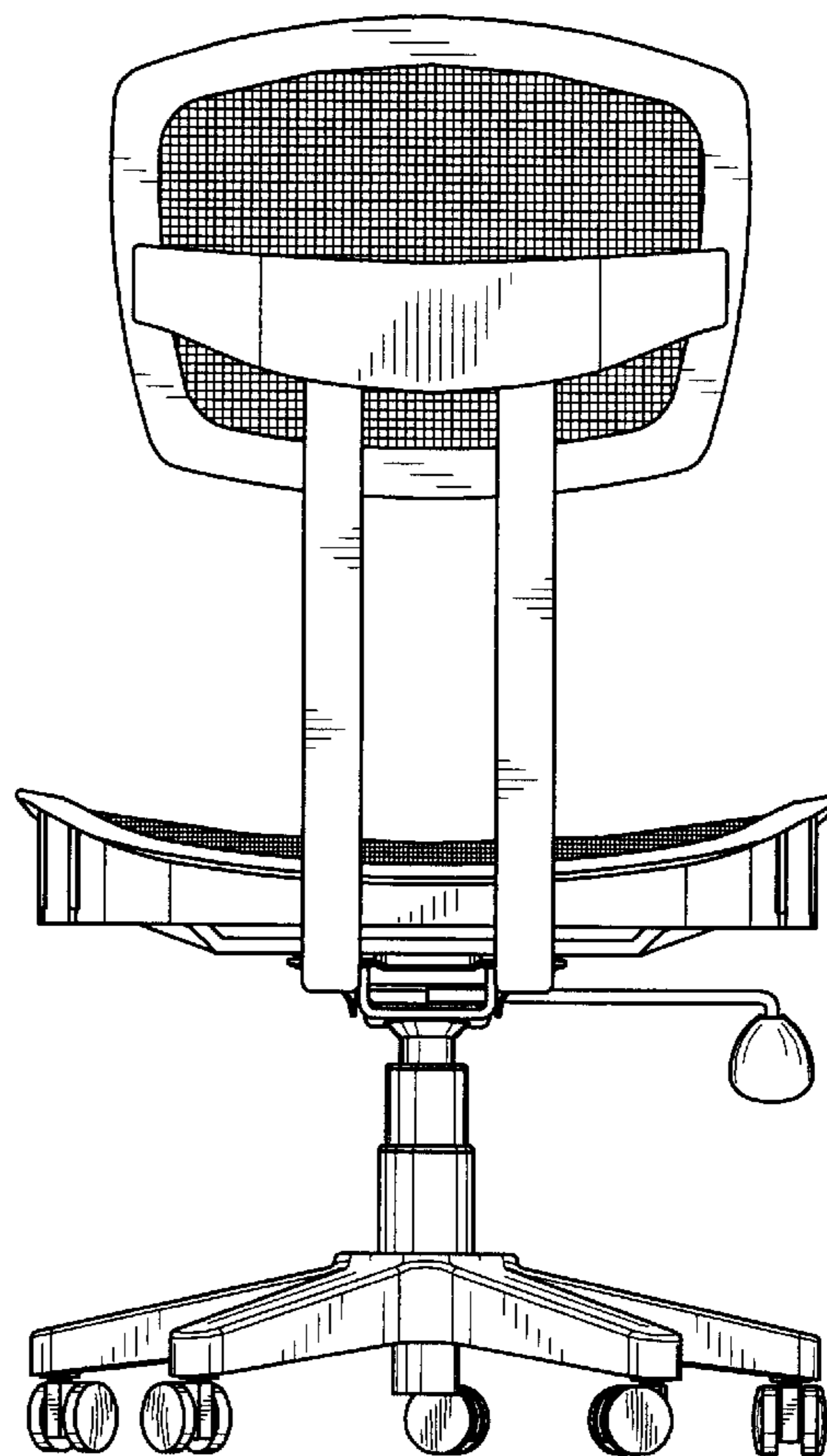


FIG. 3

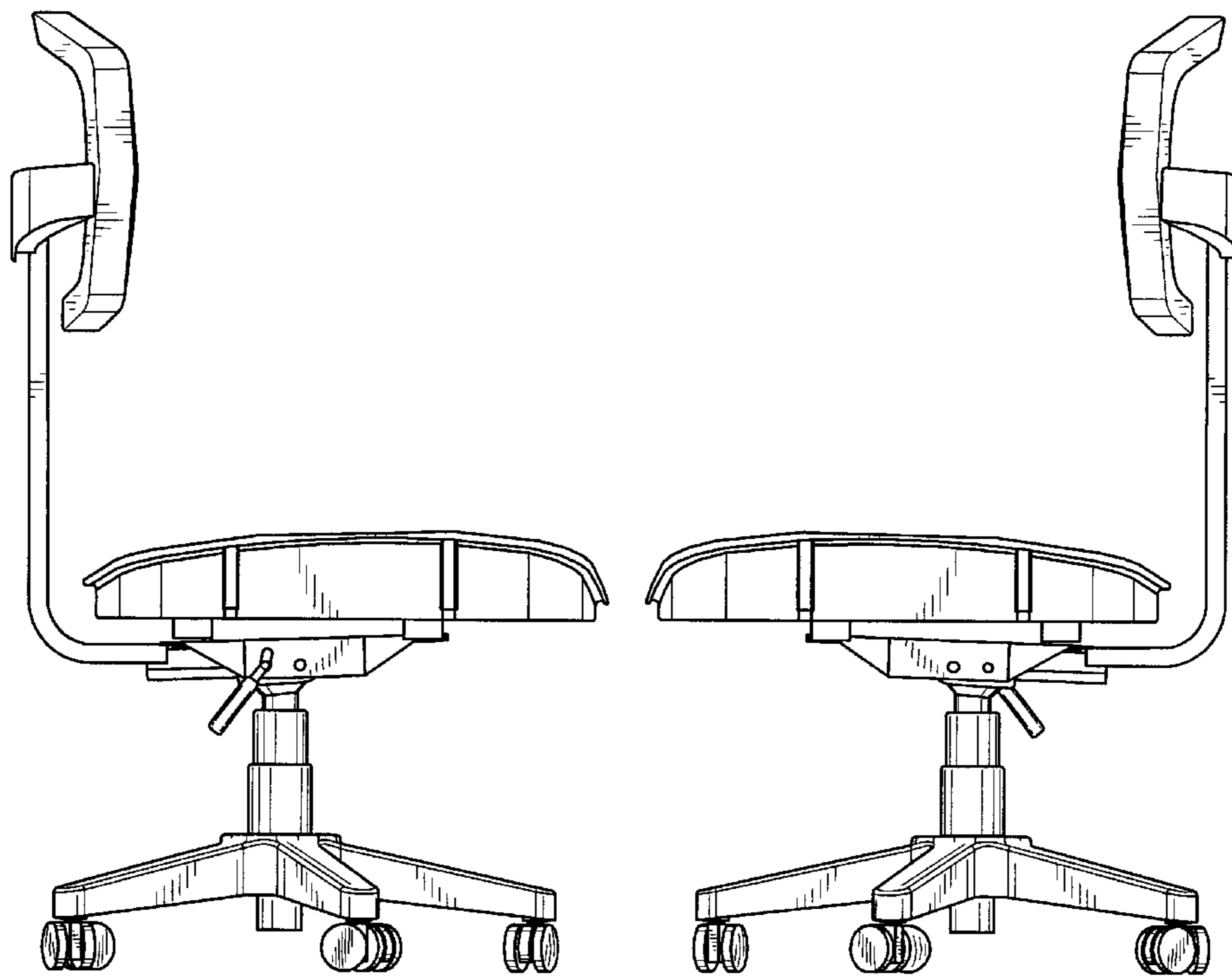


FIG. 4

FIG. 5

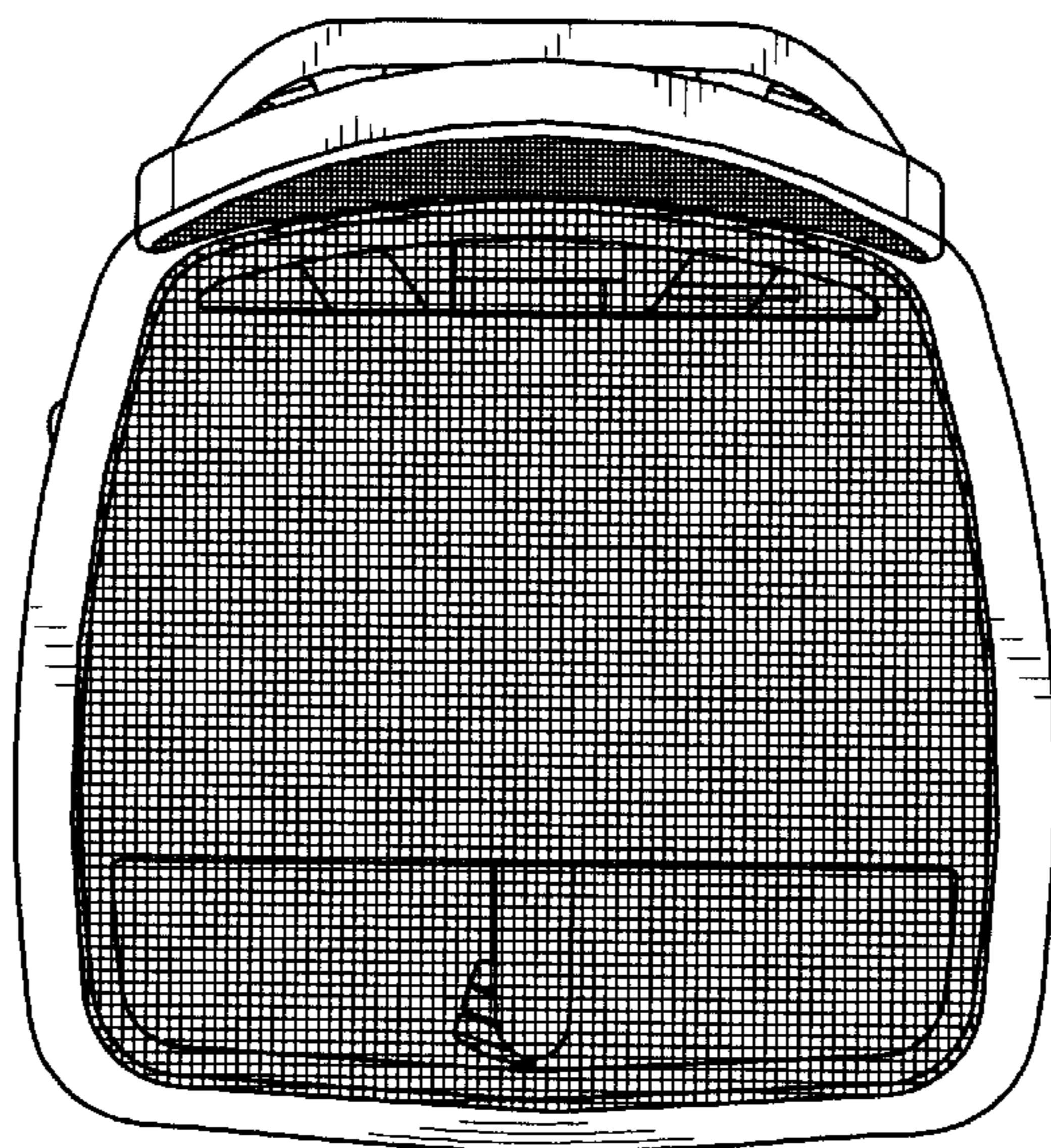


FIG. 6

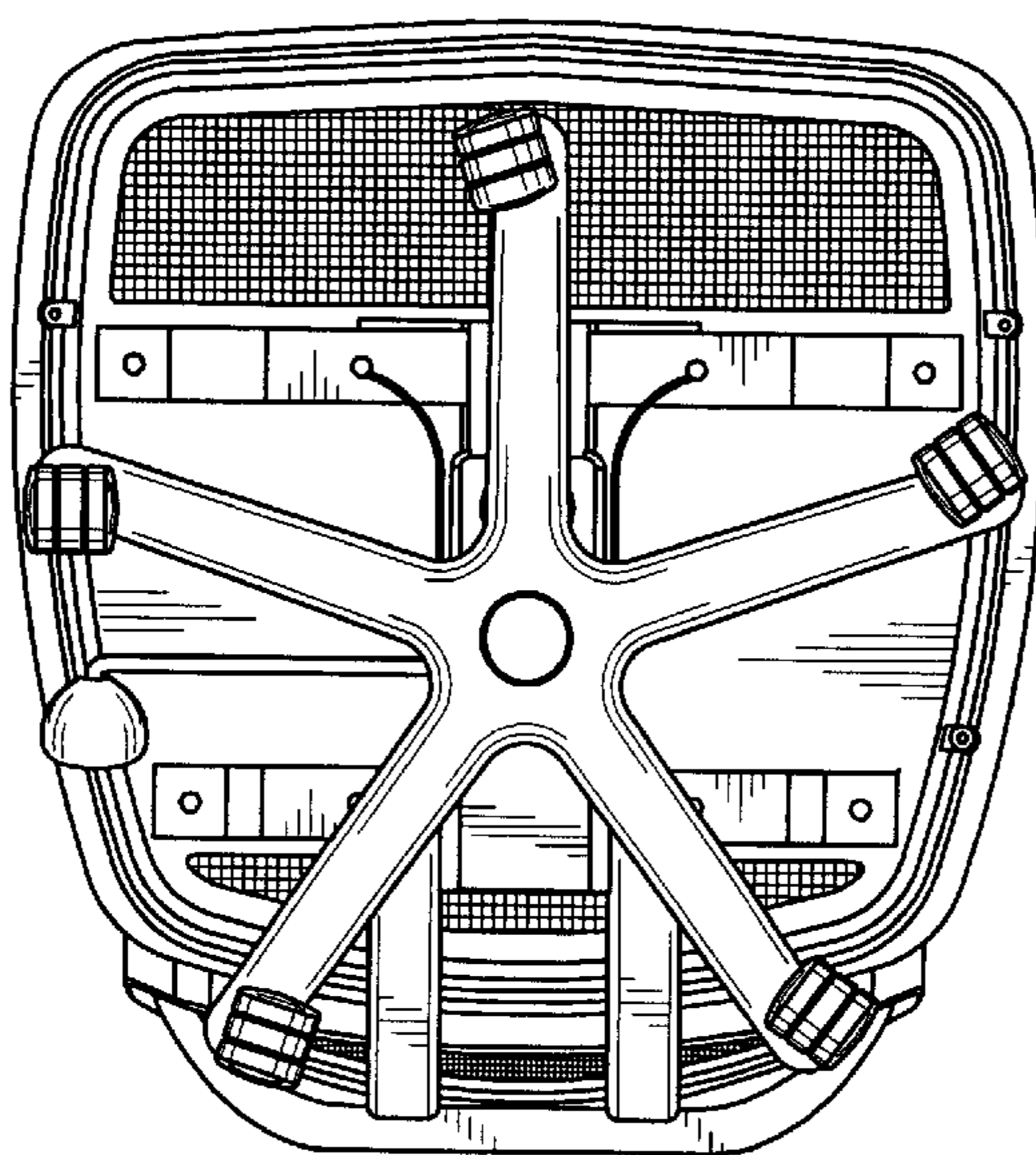


FIG. 7