

US00D540047S

(12) **United States Design Patent**
Mourgue

(10) **Patent No.:** **US D540,047 S**
(45) **Date of Patent:** **** Apr. 10, 2007**

(54) **OTTOMAN**

(75) Inventor: **Pascal Mourgue**, Montreuil sous Bois (FR)

(73) Assignee: **Cinna**, Briord, Serrieres de Briord (FR)

(**) Term: **14 Years**

(21) Appl. No.: **29/207,499**

(22) Filed: **Jun. 15, 2004**

(30) **Foreign Application Priority Data**

Jan. 7, 2004 (EP) 000126016

(51) **LOC (8) Cl.** **06-01**

(52) **U.S. Cl.** **D6/352**

(58) **Field of Classification Search** D6/334-339,
D6/349, 352, 364-366, 353, 369, 370, 495,
D6/500-502; 5/12.1; 297/445.1, 232, 446.1,
297/447.3, 448.1, 452.1

See application file for complete search history.

(56) **References Cited**

U.S. PATENT DOCUMENTS

D191,306 S * 9/1961 Grosskopf D6/349
D213,872 S * 4/1969 Leistikow D6/349
D277,906 S * 3/1985 Platner D6/352

OTHER PUBLICATIONS

Dream chair and ottoman, Levenger Catalog, Holiday 1994, p. 22.*

Selig chair and ottoman, Joske's Feb. Home Sale Catalog, p. 8, Feb. 8, 1982.*

Swivel Chair and ottoman, Modern Design catalog 19, 2 pgs.*

Craft Original chair and ottoman by Adrian Pearsall, 1 pg.*

* cited by examiner

Primary Examiner—Sandra S. Snapp

(74) *Attorney, Agent, or Firm*—Matthews, Shepard McKay & Bruneau, P.A.

(57) **CLAIM**

The ornamental design for an ottoman, as shown and described.

DESCRIPTION

FIG. 1 is a front elevational view, showing my new design for an ottoman;

FIG. 2 is a right and top perspective view thereof;

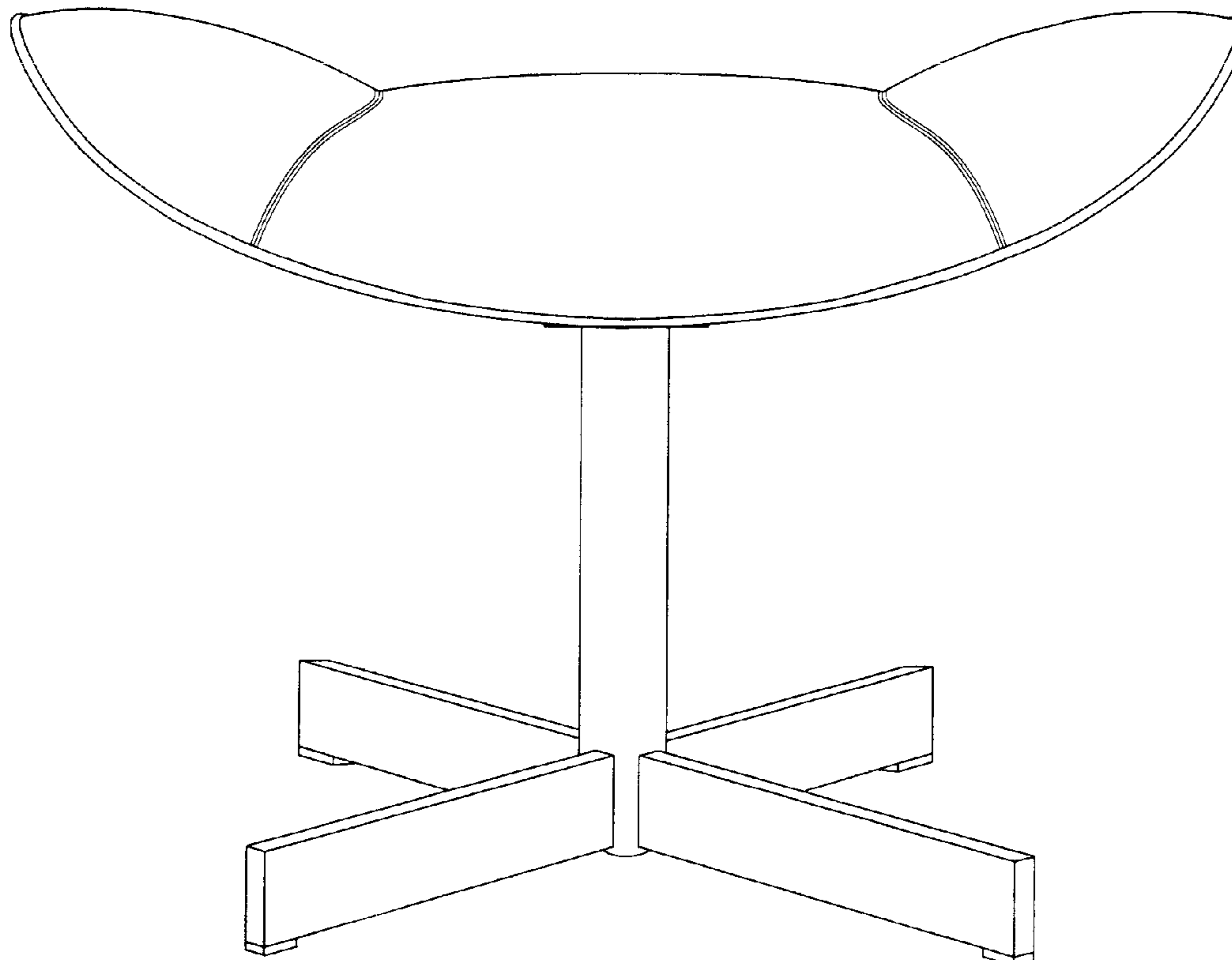
FIG. 3 is a left and top perspective view thereof;

FIG. 4 is a side elevational view thereof;

FIG. 5 is a top plan view thereof; and,

FIG. 6 is a bottom plan view thereof.

1 Claim, 6 Drawing Sheets



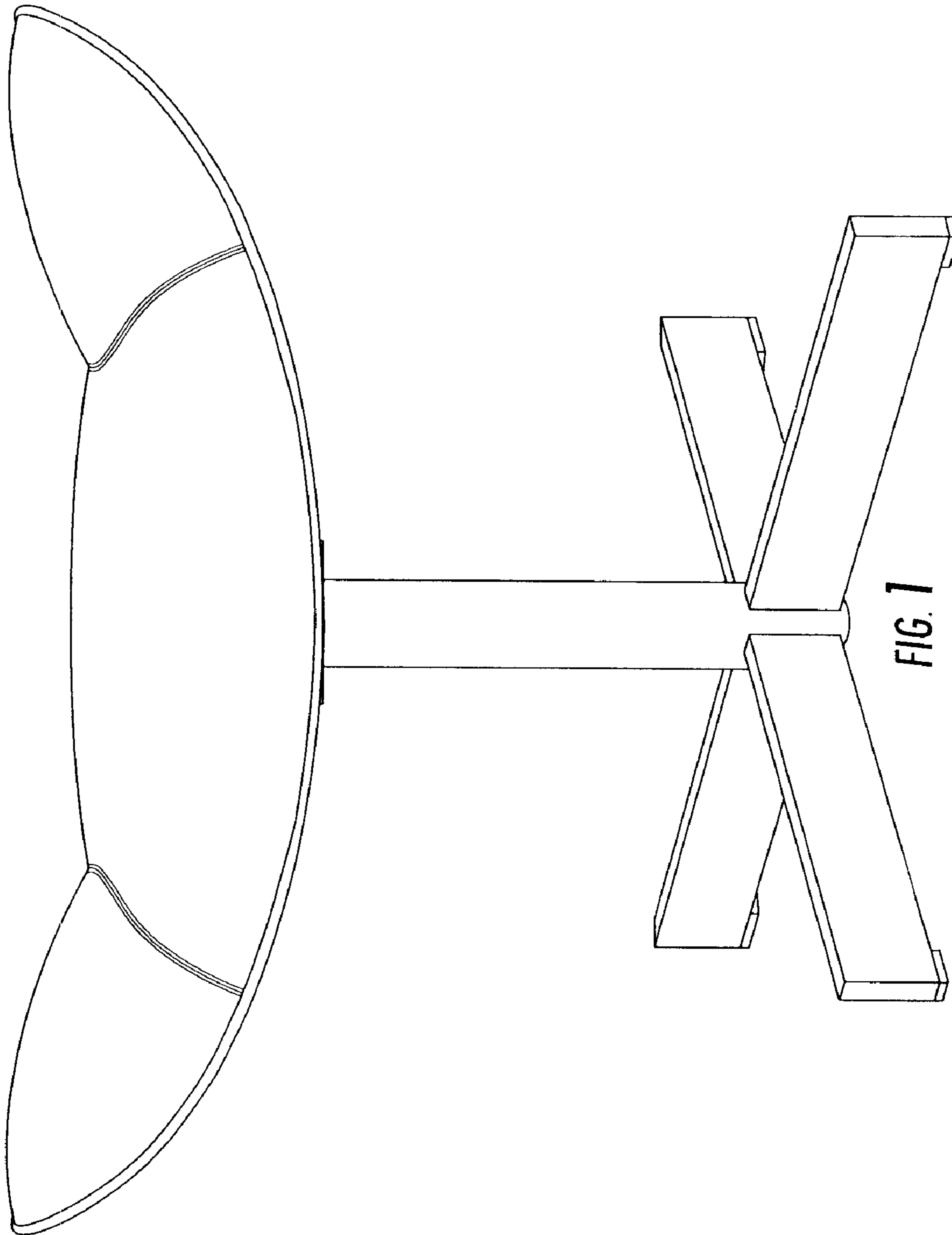
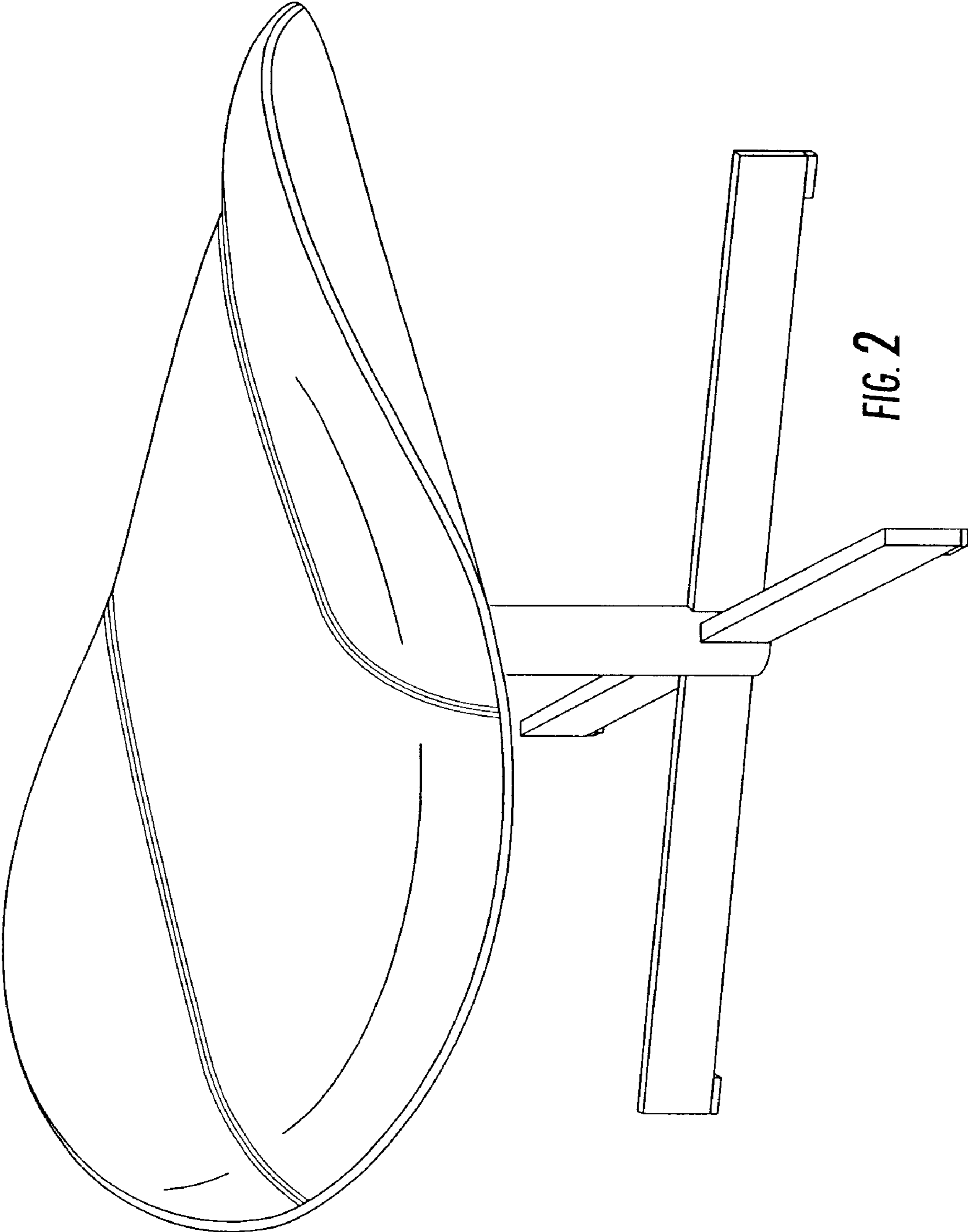


FIG. 1



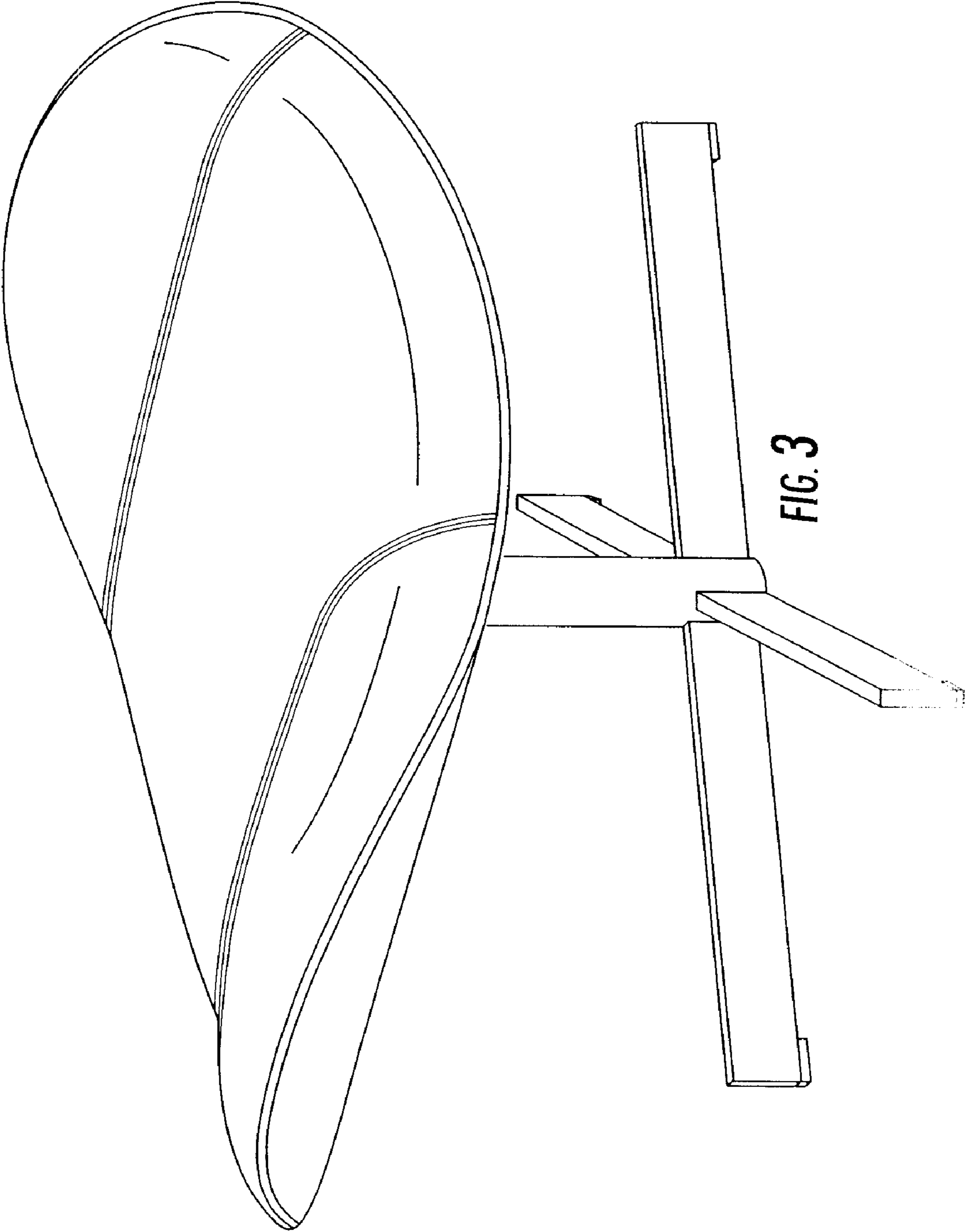


FIG. 3

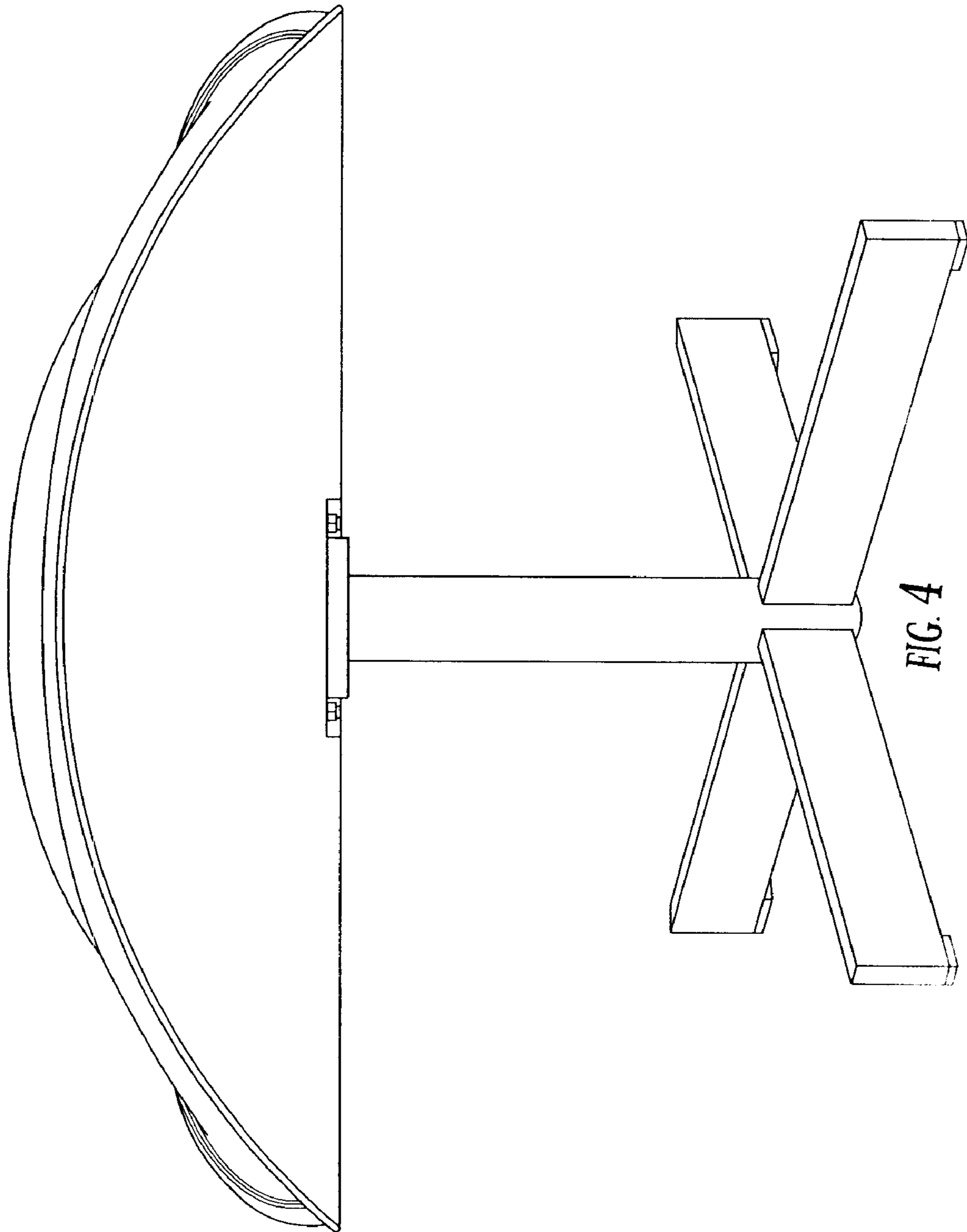


FIG. 4

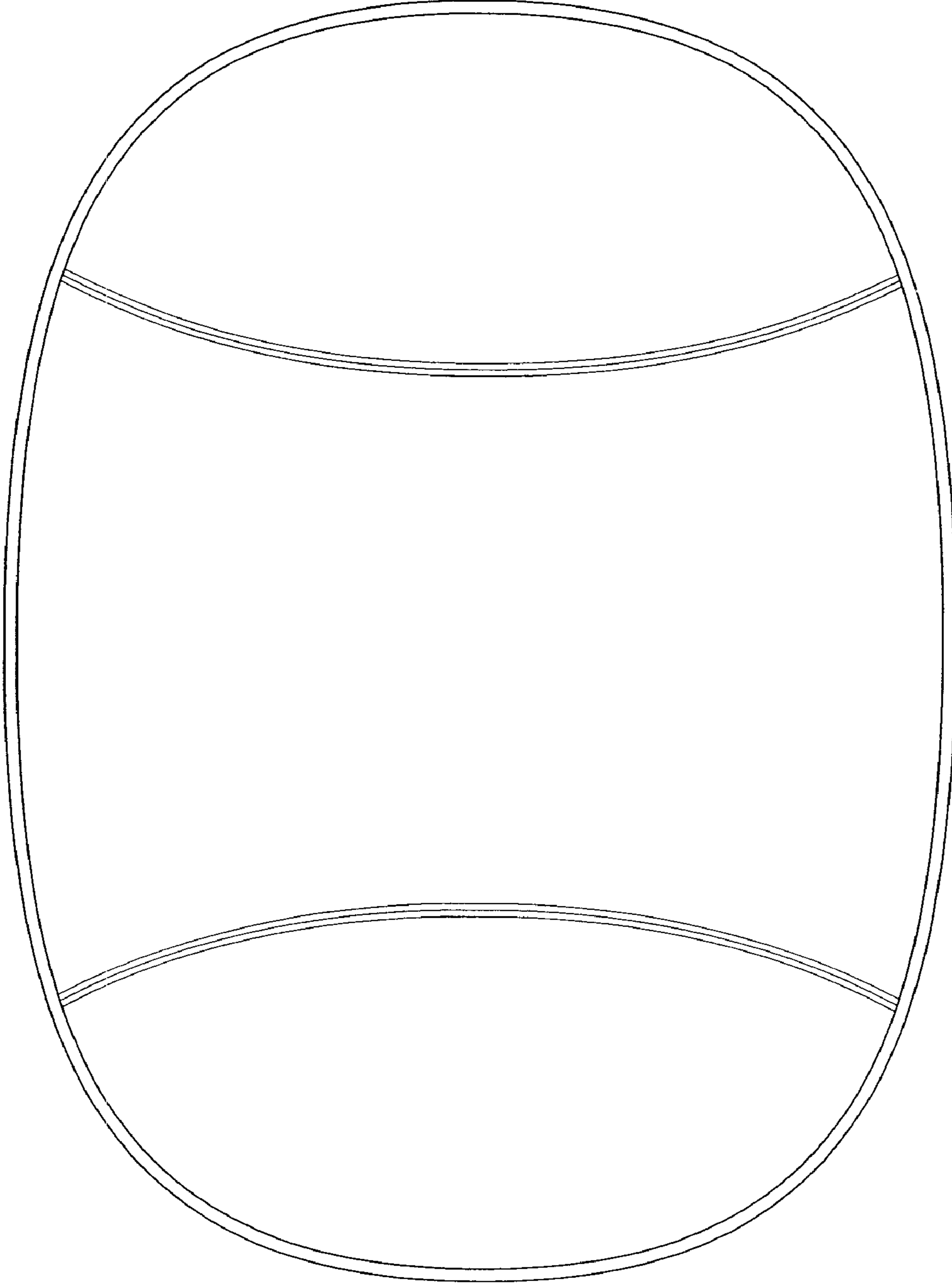


FIG. 5

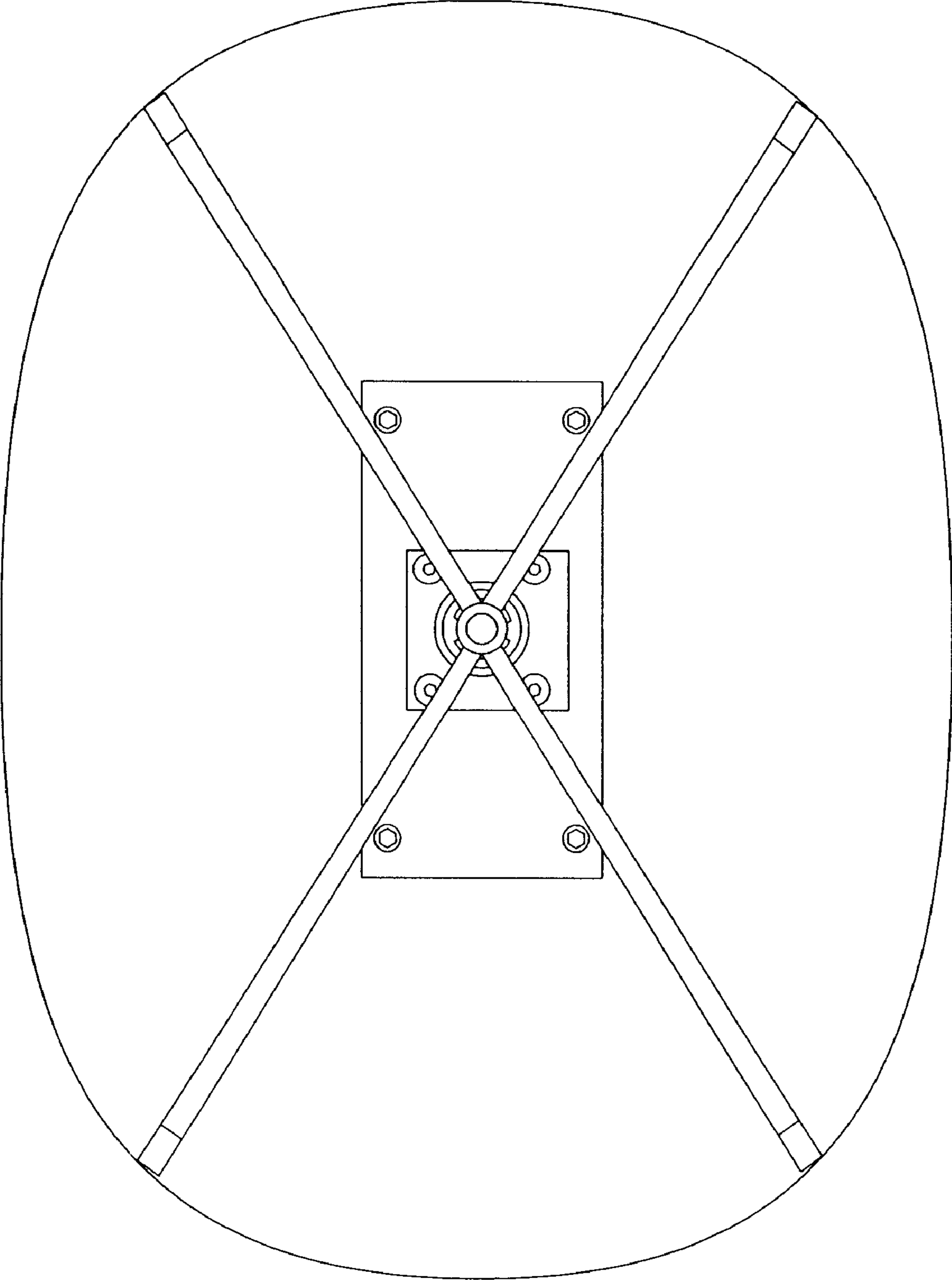


FIG. 6