



US00D540039S

(12) **United States Design Patent**
van Beuningen

(10) **Patent No.:** **US D540,039 S**

(45) **Date of Patent:** **** Apr. 10, 2007**

(54) **RECTANGULAR PAPER BIN**

(75) Inventor: **Robert-Jan Willem Antoine van Beuningen**, Eindhoven (NL)

(73) Assignee: **Brabantia Nederland B.V.**, Waalre (NL)

(**) Term: **14 Years**

(21) Appl. No.: **29/243,813**

(22) Filed: **Nov. 29, 2005**

(51) **LOC (8) Cl.** **03-01**

(52) **U.S. Cl.** **D3/314; D3/304**

(58) **Field of Classification Search** D3/301-315, D3/276, 203, 294, 279; D11/156, 147; D24/226-227; D9/425, 700, 432-435, 420, 456, 760, 414; D12/133; 206/528; D6/436, 469, 407, 396, D6/475-476, 525; D19/75-78; D30/107; 220/4.33; D34/19; D32/46; 226/643; D8/330; D7/620, 706, 409, 542; 229/162.1, 100, 122

See application file for complete search history.

(56) **References Cited**

U.S. PATENT DOCUMENTS

D243,914 S	*	4/1977	Marubashi et al.	D7/629
D246,439 S	*	11/1977	Lynn et al.	D9/425
D248,215 S	*	6/1978	Cherry	D9/418
D285,906 S	*	9/1986	Tyler	D9/425
D288,063 S	*	2/1987	Tyler	D9/425
D305,410 S	*	1/1990	Tyler	D9/425

D330,161 S	*	10/1992	Schuh	D9/423
D363,196 S	*	10/1995	Kristiansen	D7/698
D363,662 S	*	10/1995	Plater	D9/425
D381,512 S	*	7/1997	Green	D3/294
D390,109 S	*	2/1998	Tucker et al.	D9/425
D403,924 S	*	1/1999	Carlson	D7/602
D412,439 S	*	8/1999	Cormack	D9/425
D422,412 S	*	4/2000	Greene	D3/314
D443,184 S	*	6/2001	Maxwell et al.	D7/629
D495,491 S	*	9/2004	Ramirez et al.	D3/304
D505,840 S	*	6/2005	Schultz et al.	D7/629
D511,247 S	*	11/2005	Tsuchiya	D3/273

* cited by examiner

Primary Examiner—Louis S. Zarfaz

Assistant Examiner—Eric Goodman

(74) *Attorney, Agent, or Firm*—Abelman, Frayne & Schwab

(57) **CLAIM**

The ornamental design for a rectangular paper bin, as shown and described.

DESCRIPTION

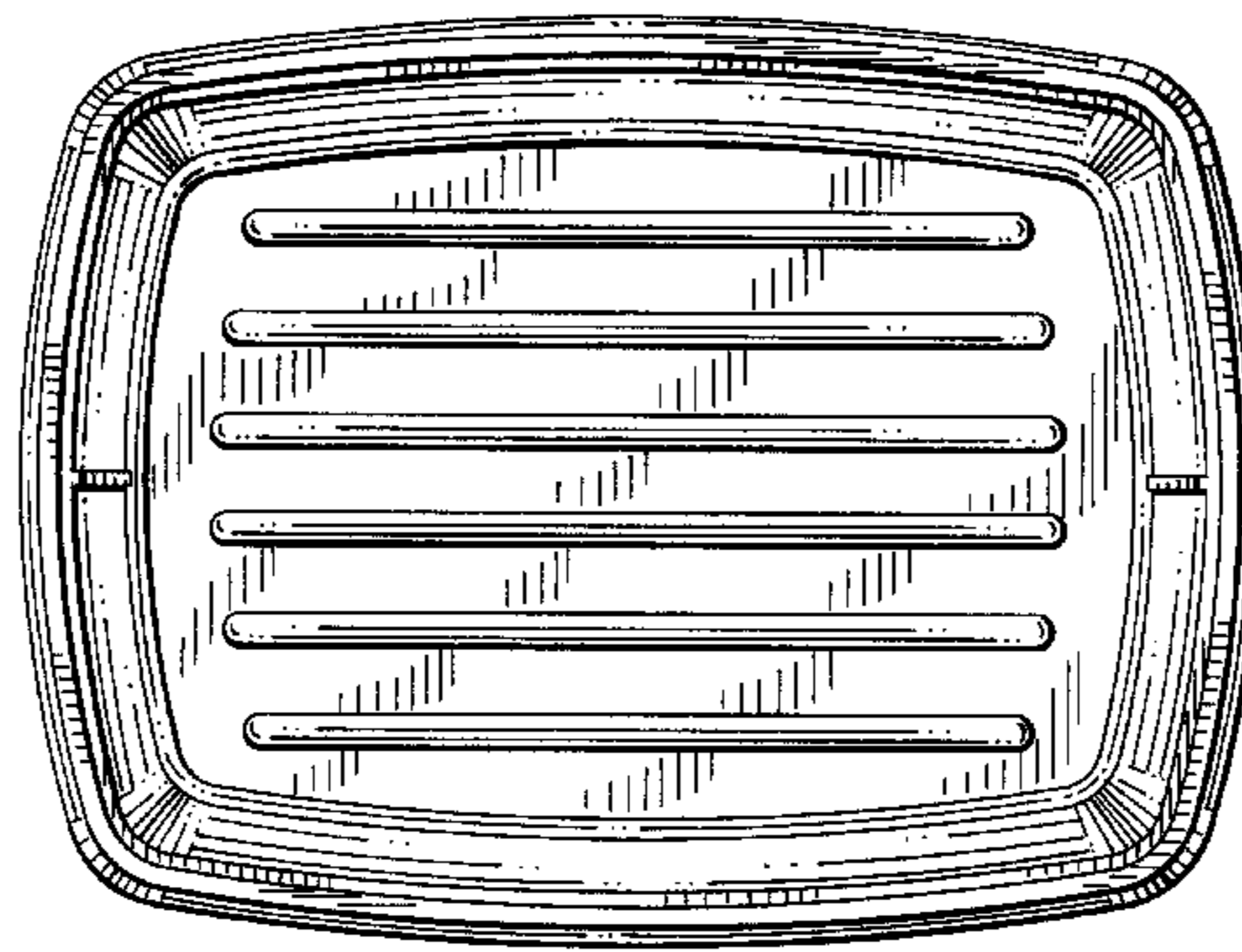
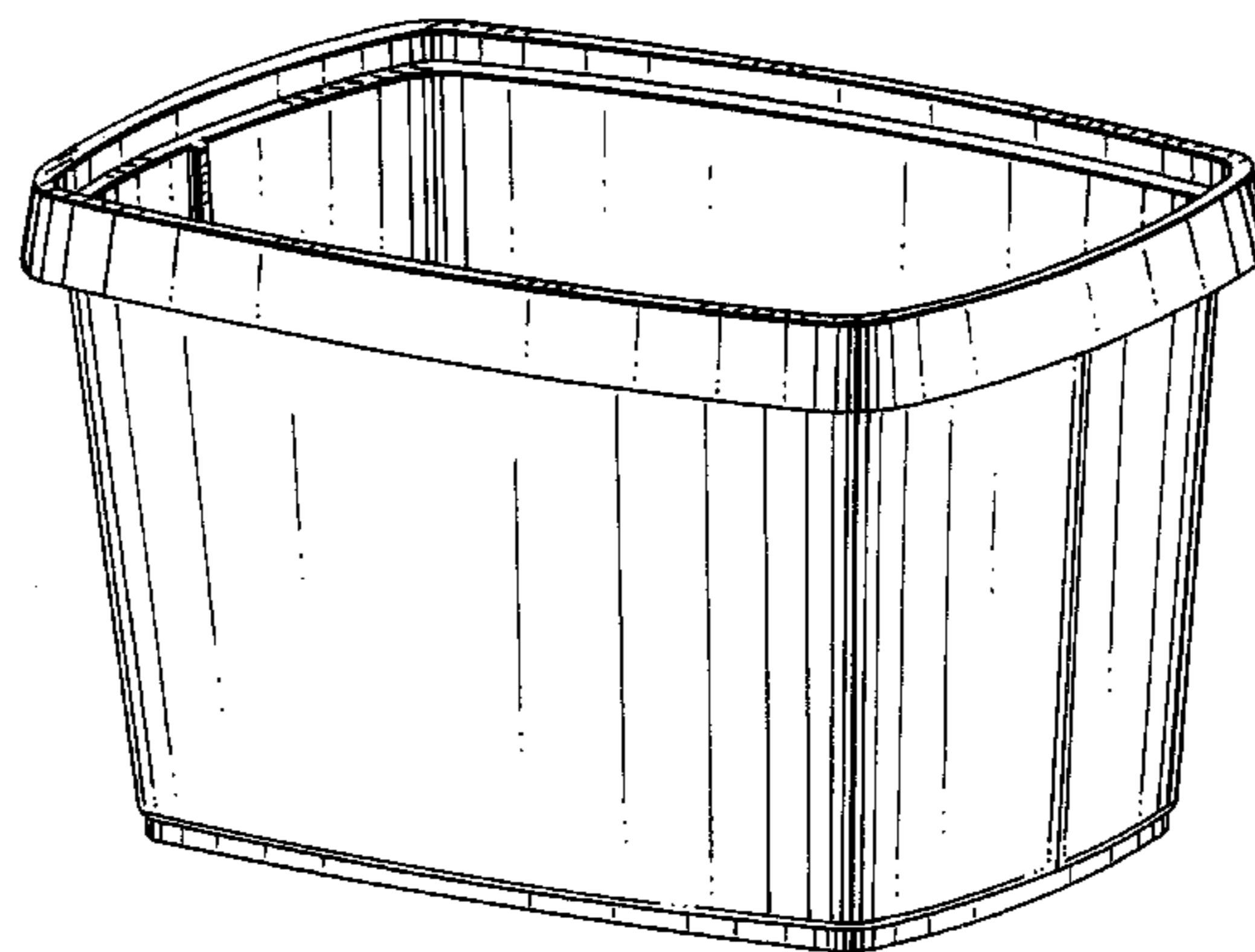
FIG. 1 is a top front right side perspective view of a rectangular paper bin showing my new design;

FIG. 2 is a right side elevational view thereof, with the left side being a mirror image thereof;

FIG. 3 is a top plan view thereof; and,

FIG. 4 is a front elevational view thereof, with the rear being a mirror image thereof.

1 Claim, 2 Drawing Sheets



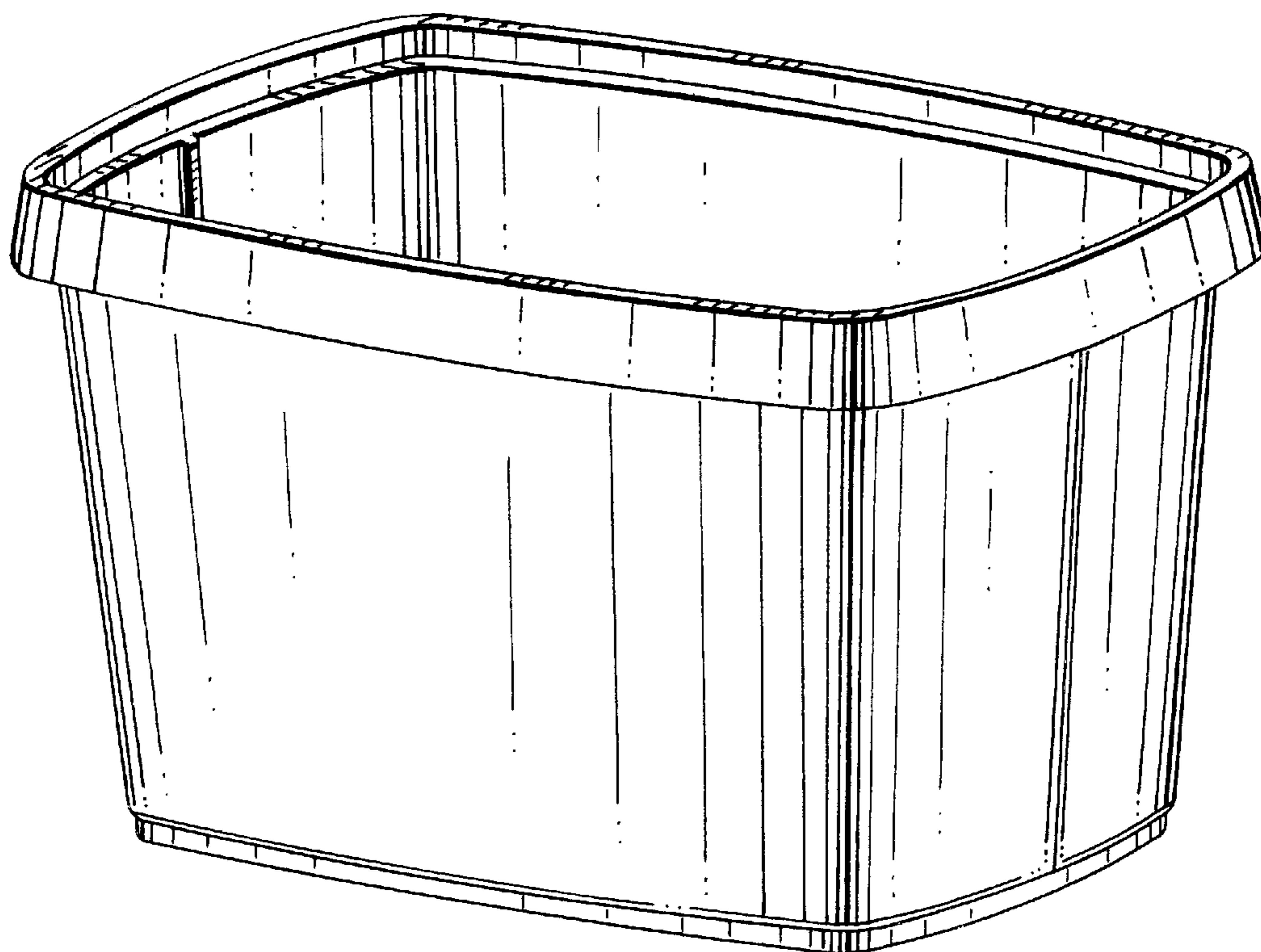


FIG. 1

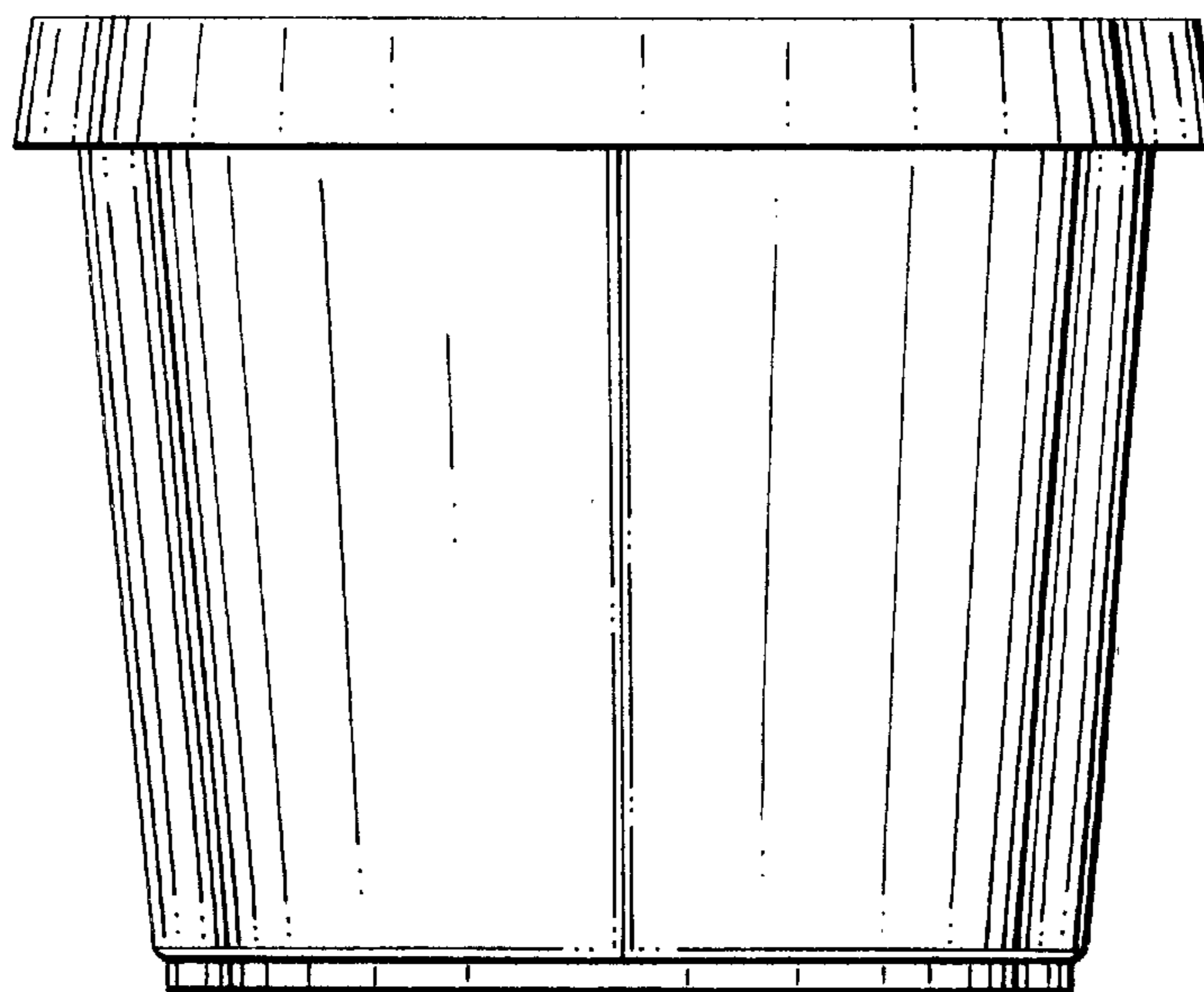


FIG. 2

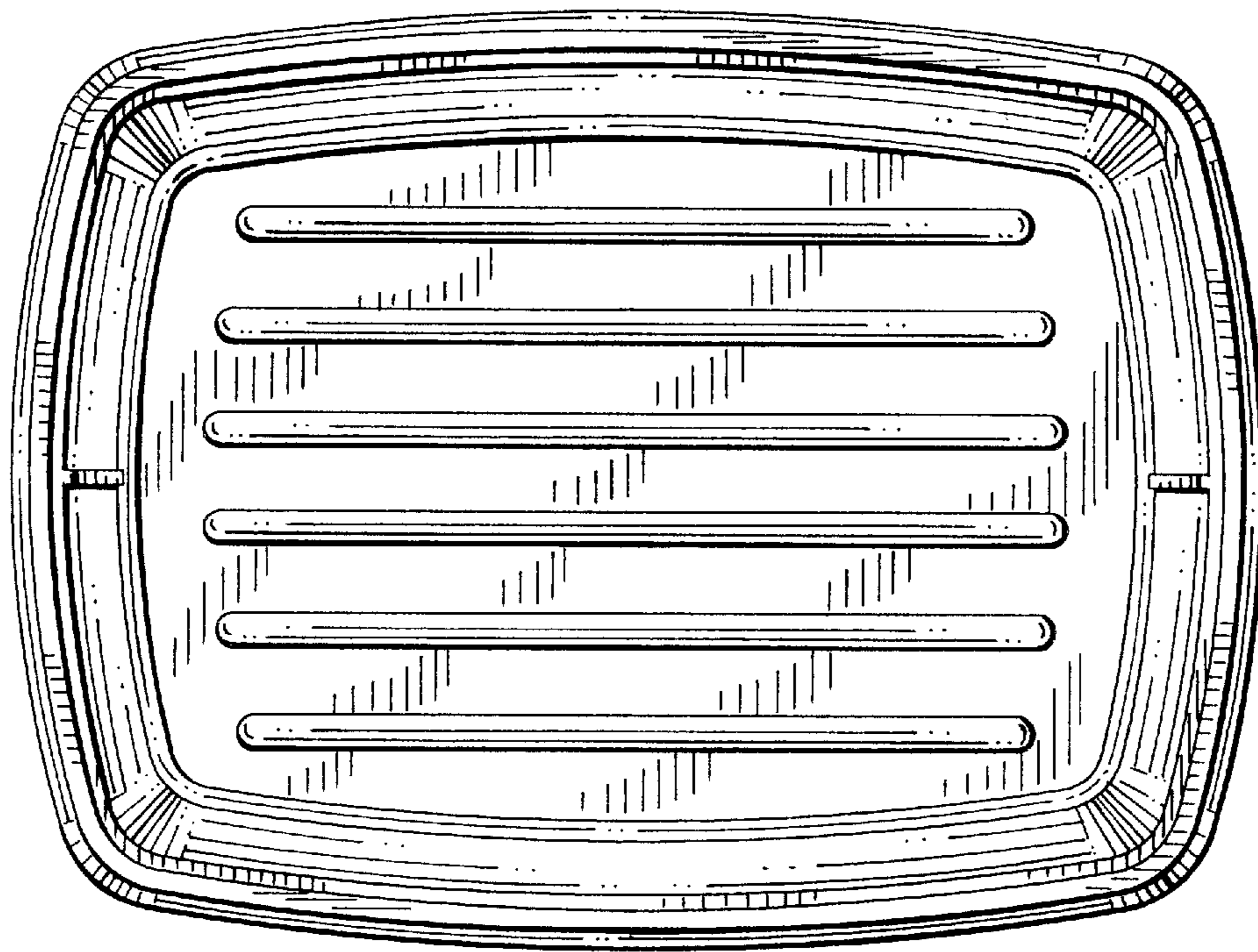


FIG. 3

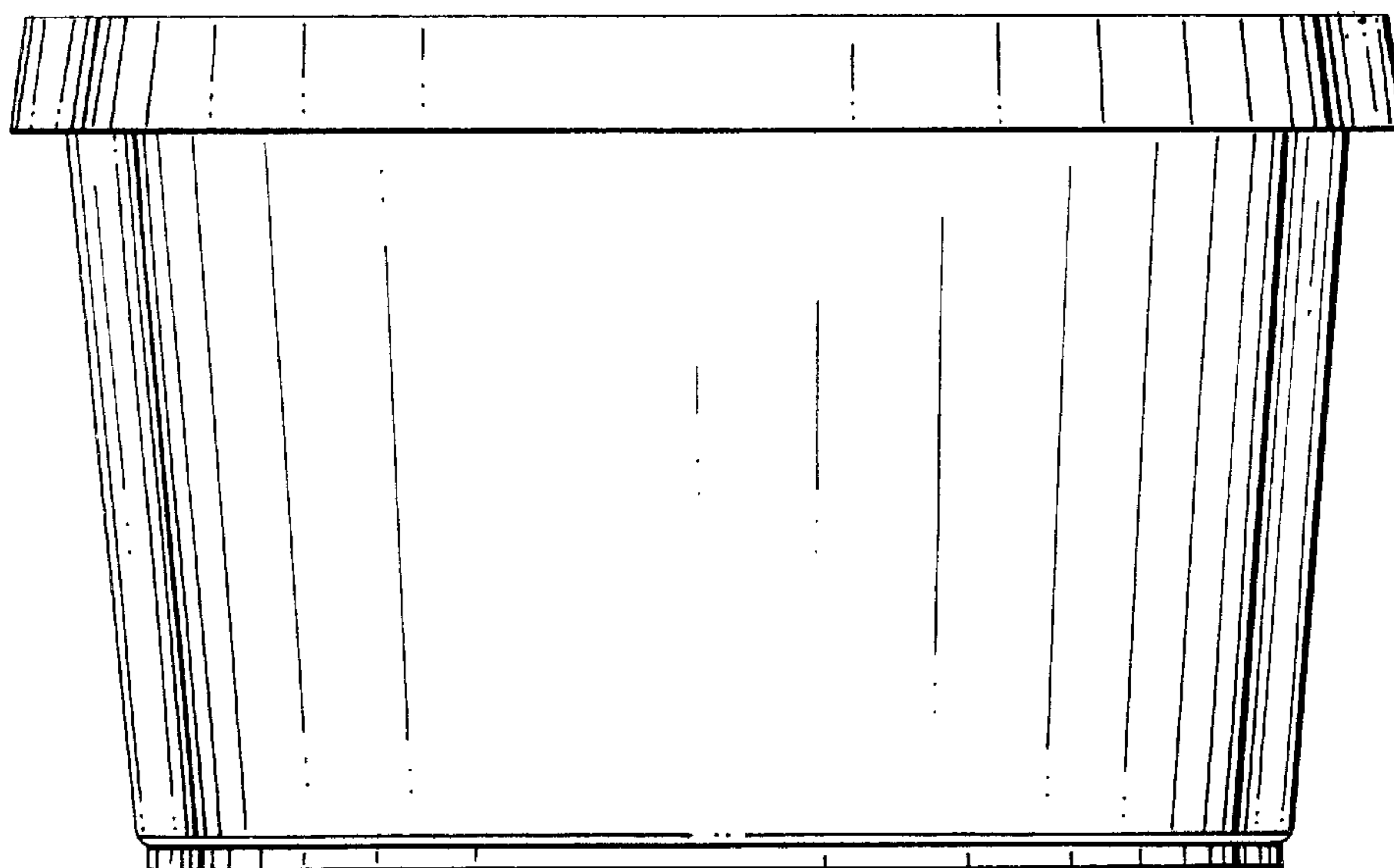


FIG. 4