



US00D540038S

(12) **United States Design Patent**
Hussaini et al.

(10) **Patent No.: US D540,038 S**

(45) **Date of Patent: ** Apr. 10, 2007**

(54) **STORAGE CASE**

(75) Inventors: **Saied Hussaini**, Miami, FL (US); **Marc Iacovelli**, Miami, FL (US)

(73) Assignee: **Intec, Inc.**, Miami, FL (US)

(**) Term: **14 Years**

(21) Appl. No.: **29/231,809**

(22) Filed: **Jun. 10, 2005**

(51) **LOC (8) Cl.** **03-01**

(52) **U.S. Cl.** **D3/294**; D3/201; D6/634;
D6/407

(58) **Field of Classification Search** D3/201,
D3/205, 218, 269, 273, 294, 295; D6/407,
D6/632-634; D14/345, 356, 474, 478; D24/227;
206/37, 307

See application file for complete search history.

D485,113 S * 1/2004 Bogacz et al. D6/632
D502,807 S * 3/2005 Jaron et al. D3/273
D503,831 S * 4/2005 Ames D28/78

OTHER PUBLICATIONS

Intec Game Cases PSP. Downloaded Oct. 24, 2006 at
http://www.walmart.com/catalog/product.do?product_id=3555265.*

PSB Game Cases. Downloaded Oct. 24, 2006 at <http://www.cduniverse.com/images.asp?pid=6823501&cart=415389433&style=games&image=front&ti...>.*

* cited by examiner

Primary Examiner—Philip S. Hyder

Assistant Examiner—RoseLynne (Ulm) Cody

(74) *Attorney, Agent, or Firm*—Berenato, White & Stavish

(57) **CLAIM**

The ornamental design for a storage case, as shown and described.

(56) **References Cited**

U.S. PATENT DOCUMENTS

2,990,054 A * 6/1961 Gellman 206/37
D257,790 S * 1/1981 Kesling D24/227
D322,031 S * 12/1991 Fleming D9/424
D354,653 S * 1/1995 Melk D6/632
D400,011 S * 10/1998 Palmer et al. D3/294
D401,463 S * 11/1998 Cheris et al. D6/634
D433,265 S * 11/2000 Khatemi D6/634
D443,981 S * 6/2001 DiVincenzo D3/205
D451,099 S * 11/2001 Lee D14/435

DESCRIPTION

FIG. 1 is a Perspective View of the storage case according to the present invention.

FIG. 2 is a top view of the storage case of FIG. 1.

FIG. 3 is a bottom view of the storage case of FIG. 1.

FIG. 4 is a front view of the storage case of FIG. 1.

FIG. 5 is a rear view of the storage case of FIG. 1.

FIG. 6 is a left side view of the storage case of FIG. 1; and,

FIG. 7 is a right side view of the storage case of FIG. 1.

1 Claim, 7 Drawing Sheets

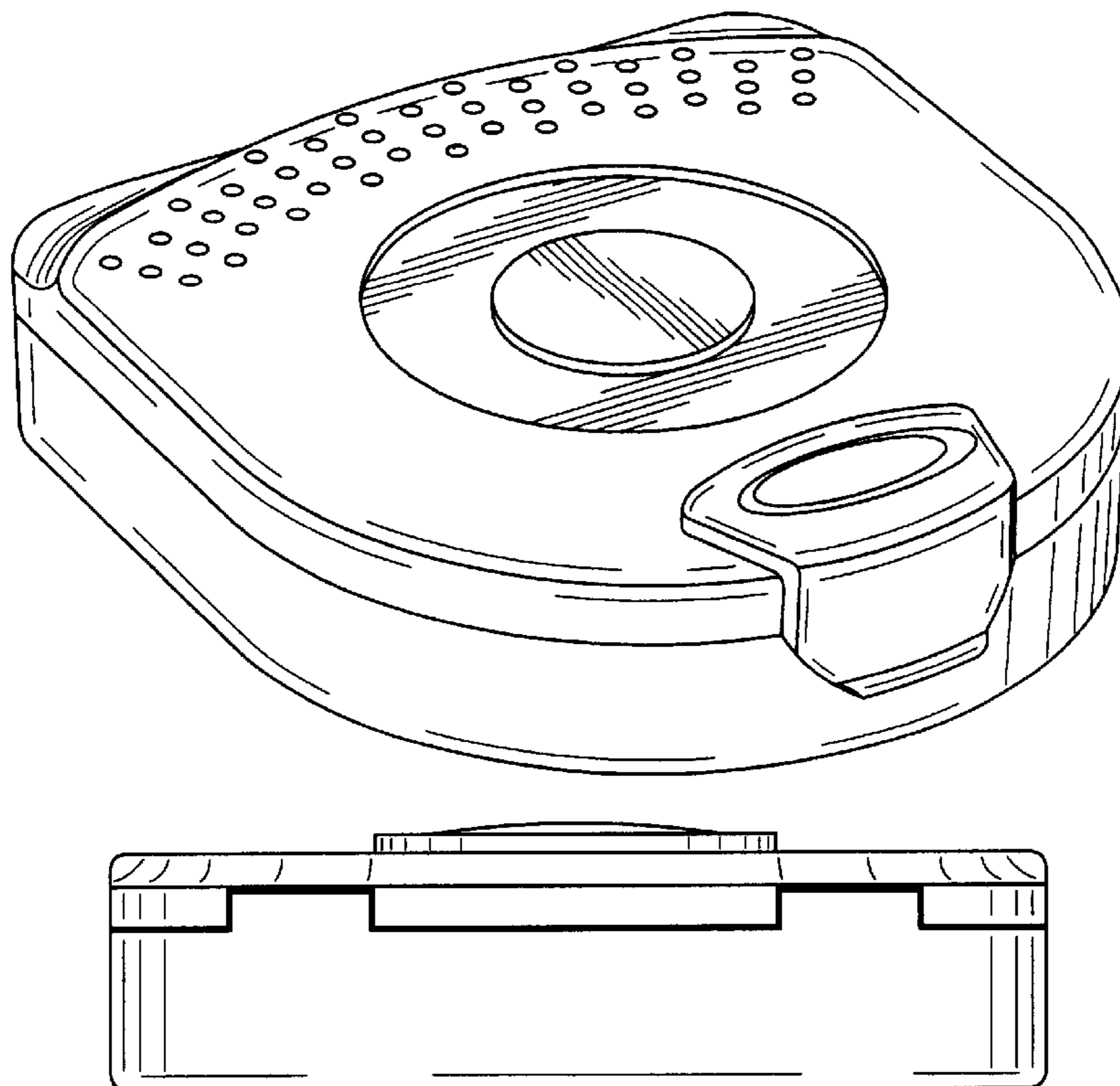


Fig. 1

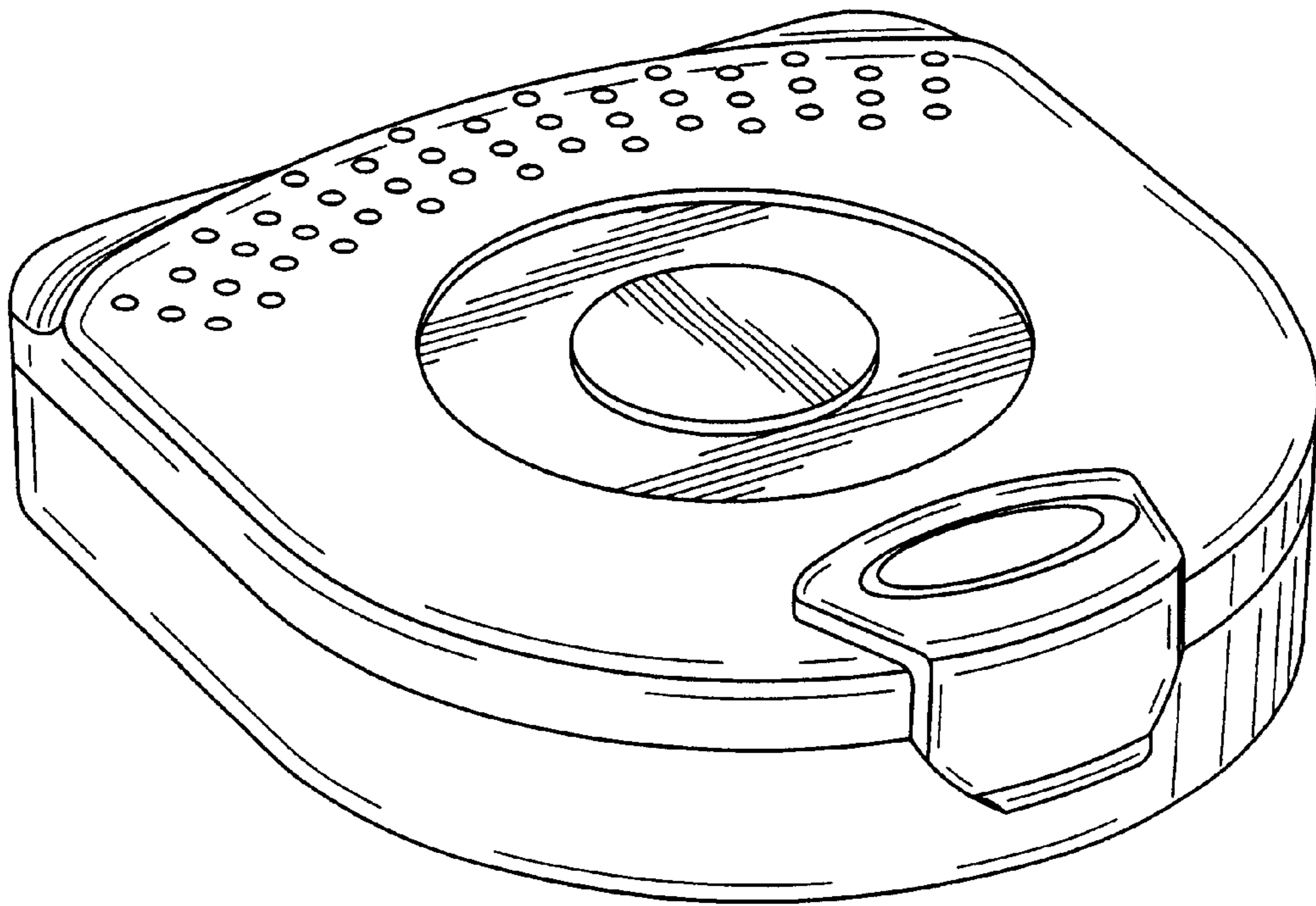


Fig. 2

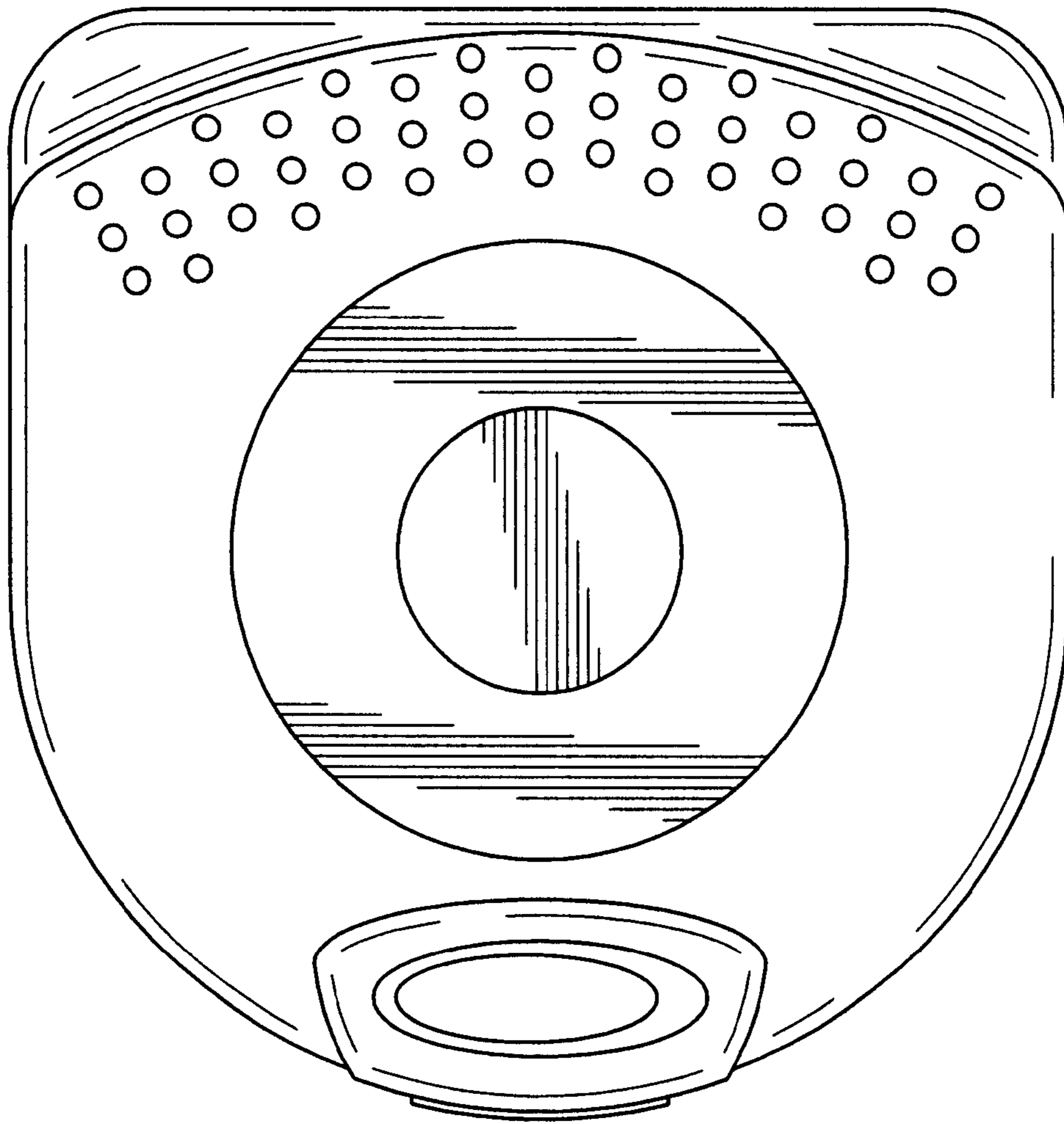


Fig. 3

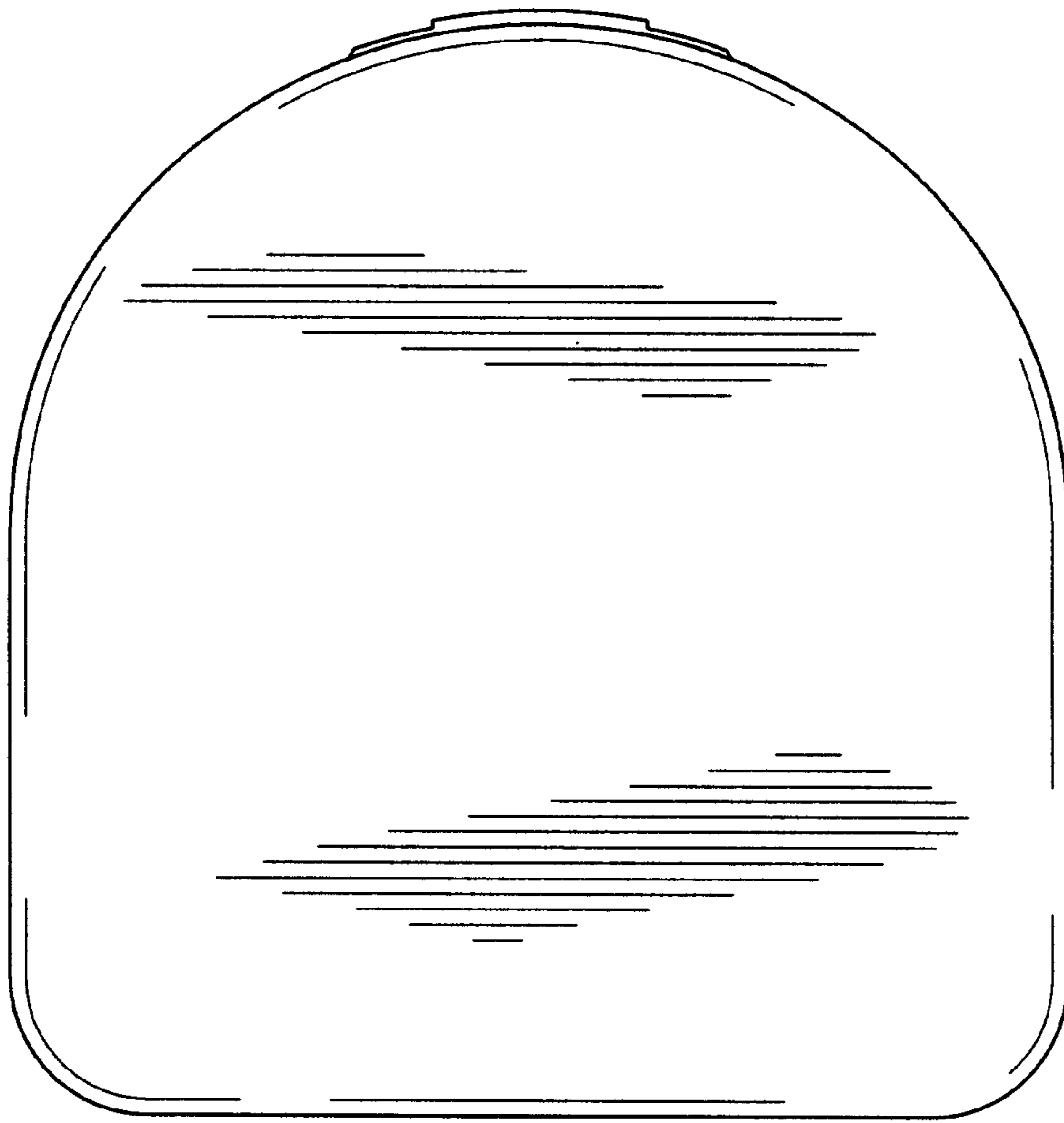


Fig. 4

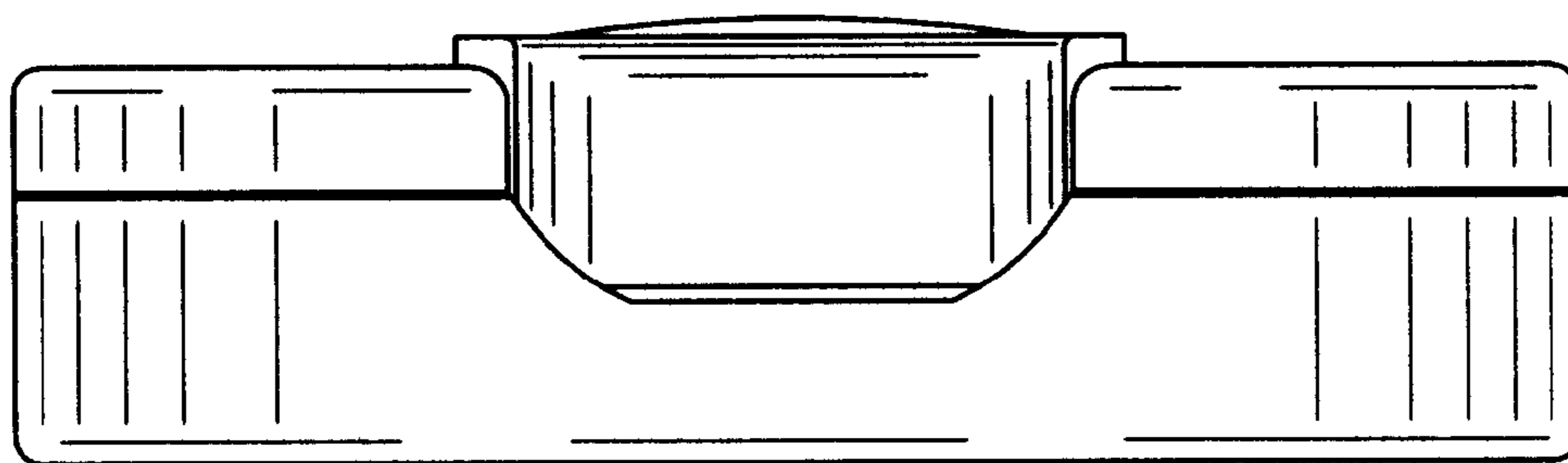


Fig. 5

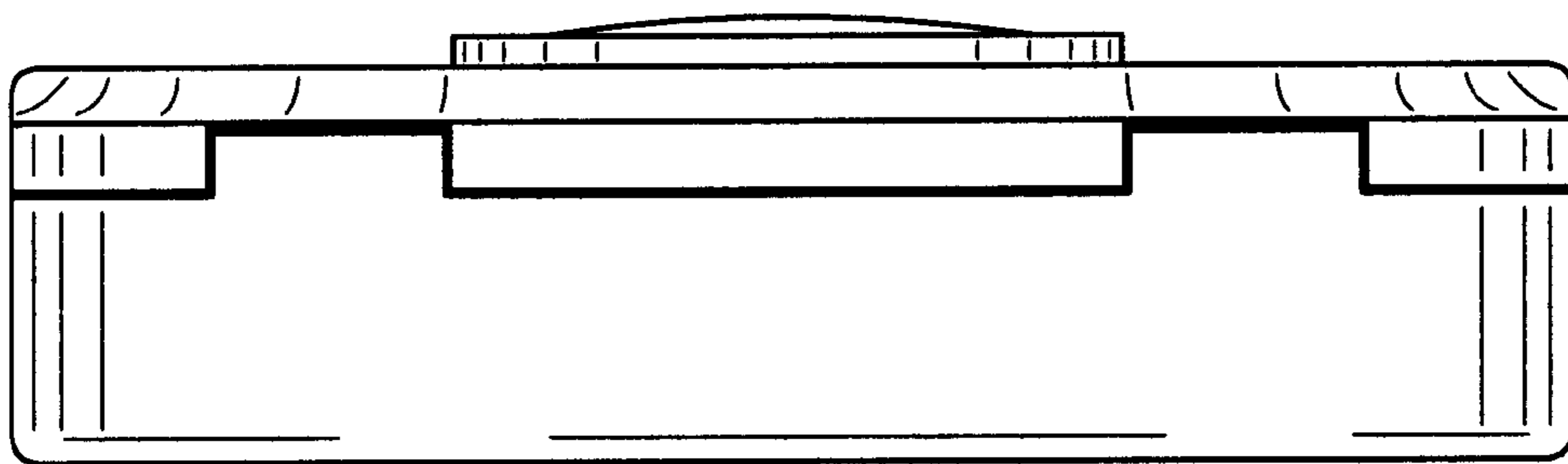


Fig. 6

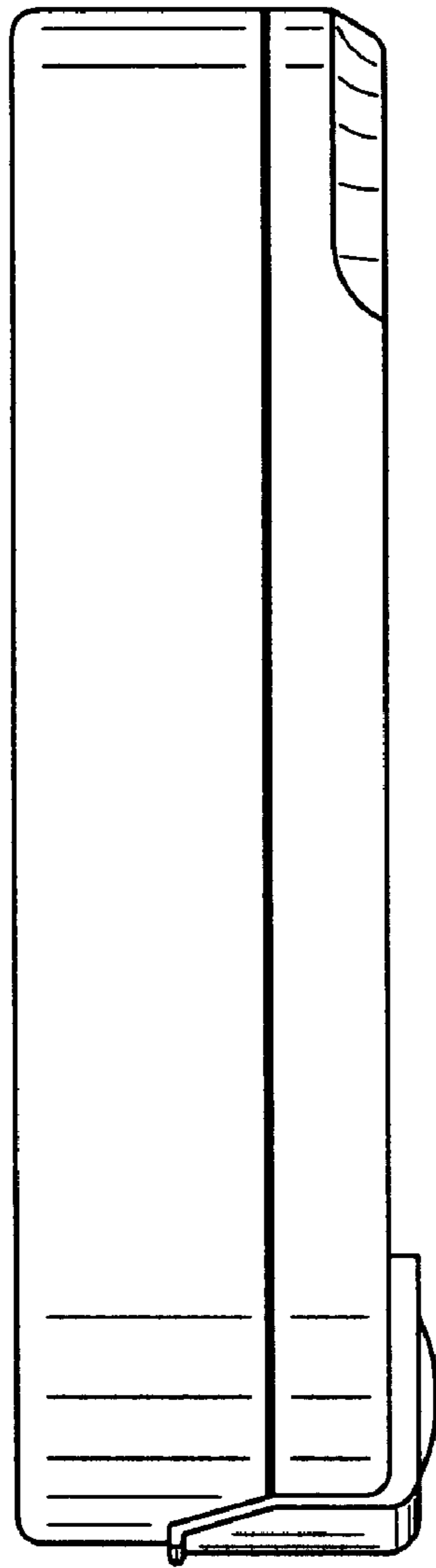


Fig. 7

