



US00D540034S

(12) **United States Design Patent**
Gonzalez

(10) **Patent No.:** **US D540,034 S**
(45) **Date of Patent:** **** Apr. 10, 2007**

- (54) **HANDBAG**
- (75) Inventor: **Alvaro Gonzalez**, Florence (IT)
- (73) Assignee: **J. Choo (Jersey) Limited**, St. Helier, Jersey (GB)
- (**) Term: **14 Years**
- (21) Appl. No.: **29/229,055**
- (22) Filed: **May 2, 2005**
- (51) **LOC (8) Cl.** **03-01**
- (52) **U.S. Cl.** **D3/243**
- (58) **Field of Classification Search** D3/201, D3/205, 226, 230–246, 254, 276, 289, 303, D3/305, 322, 324, 327, 901–903; 190/1, 190/100, 119, 102–110, 112, 113, 115; 150/110–115, 150/117–122, 127, 128, 130, 190, 197, 900, 150/902, 903
See application file for complete search history.

(56) **References Cited**
U.S. PATENT DOCUMENTS

490,976 A	*	1/1893	Delafontaine	69/25
D471,707 S	*	3/2003	Galliano	D3/243
D472,374 S	*	4/2003	Galliano	D3/243
D487,190 S	*	3/2004	Galliano	D3/243
D487,632 S	*	3/2004	Galliano	D3/246
D500,593 S	*	1/2005	Stulman	D3/243
D501,599 S	*	2/2005	Guyon	D3/246
D501,998 S		2/2005	Gonzalez		
D502,805 S		3/2005	Gonzalez		
D502,813 S		3/2005	Gonzalez		
D507,873 S	*	8/2005	Hanley	D3/243
D507,882 S		8/2005	Gonzalez		
D523,241 S	*	6/2006	Gonzalez	D3/243

OTHER PUBLICATIONS

J. Choo (Jersey) Limited, Tulita Hammock, Spring/Summer 2004 Catalogue.
J. Choo (Jersey) Limited, Tulita Crescent, Spring/Summer 2004 Catalogue.

U.S. Appl. No. 29/230,457, filed May 19, 2005.
U.S. Appl. No. 76/584,973, filed Apr. 2, 2004.

* cited by examiner

Primary Examiner—Louis S. Zarfes
Assistant Examiner—Kathleen Sims
(74) *Attorney, Agent, or Firm*—Fross Zelnick Lehrman & Zissu, P.C.; Lawrence E. Apolzon, Esq.

(57) **CLAIM**

The ornamental design for a handbag, as shown and described.

DESCRIPTION

FIG. 1 is a front perspective view of a handbag showing my handbag design;

FIG. 2 is a front view of the handbag shown in FIG. 1;

FIG. 3 is a rear view of the handbag shown in FIG. 1;

FIG. 4 is a left side view of the handbag shown in FIG. 1, the right side being a mirror image thereof;

FIG. 5 is a top view of the handbag shown in FIG. 1;

FIG. 6 is a bottom view of the handbag shown in FIG. 1;

FIG. 7 is a front perspective view of an alternative embodiment of the handbag shown in FIG. 1;

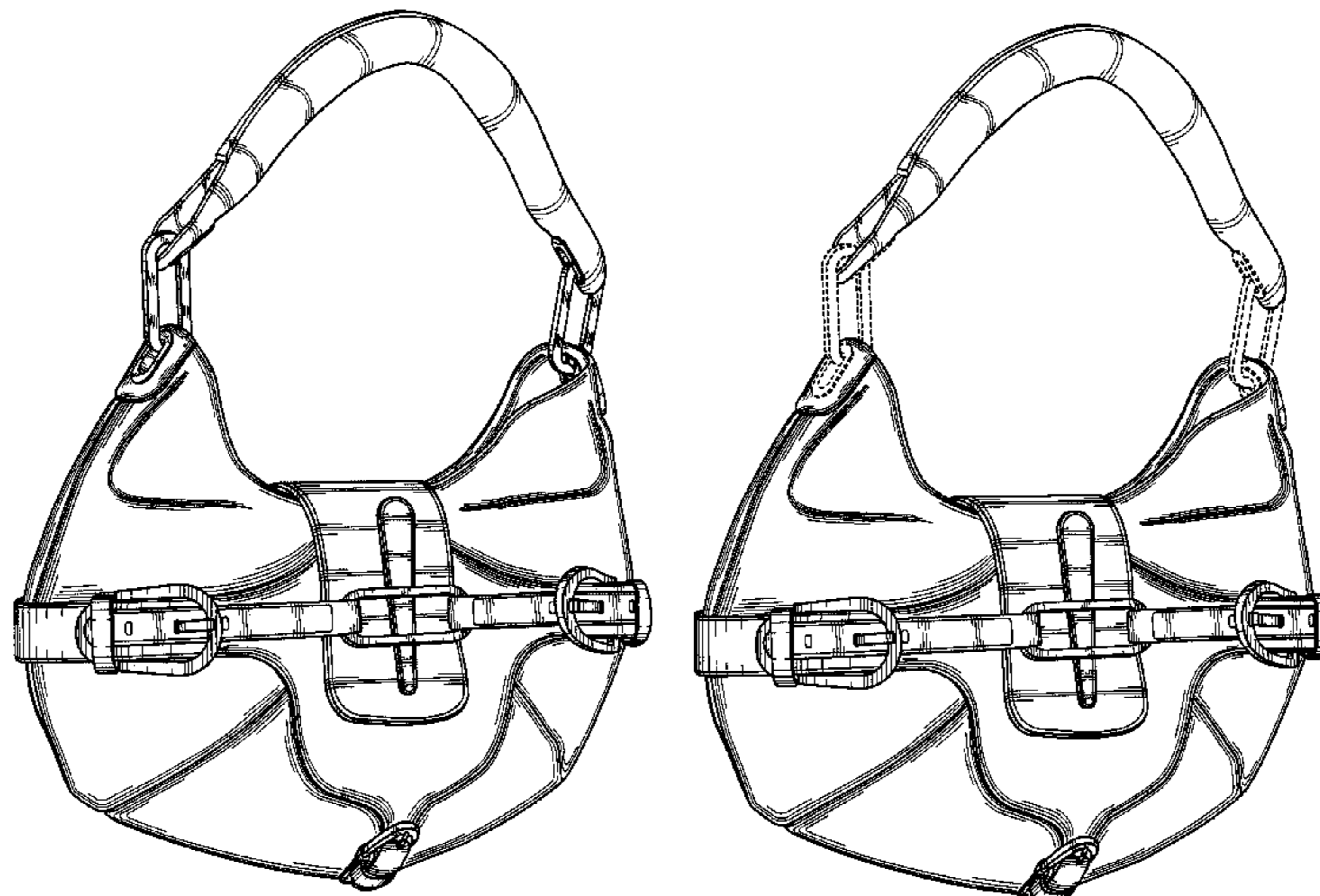
FIG. 8 is a front view of the handbag shown in FIG. 7;

FIG. 9 is a left side view of the handbag shown in FIG. 7, the right side being a mirror image thereof; and,

FIG. 10 is a top view of the handbag shown in FIG. 7.

The broken line showing of the grommets and handle links is for illustrative purposes only and forms no part of the claimed design.

1 Claim, 9 Drawing Sheets



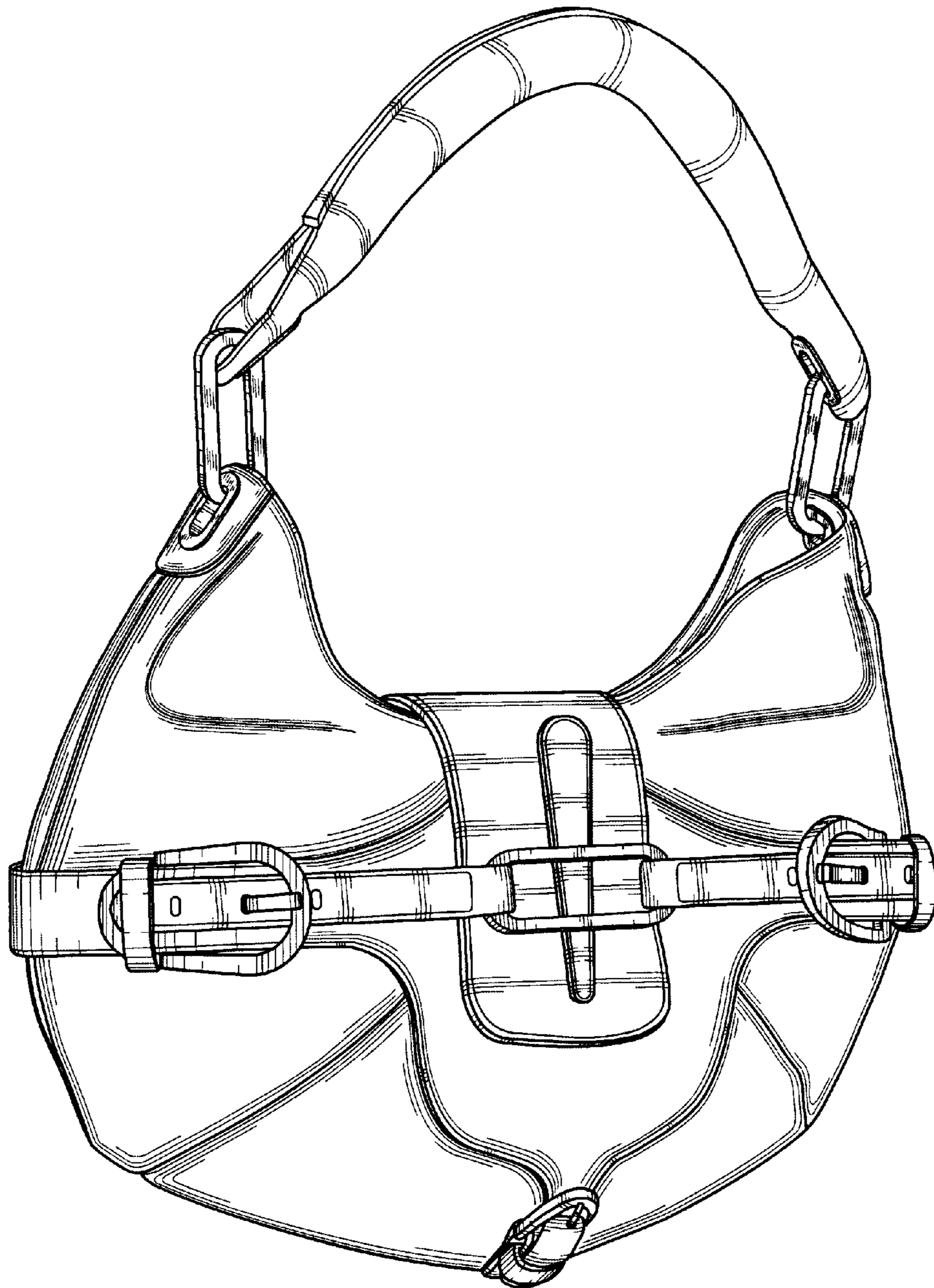


FIG. 1

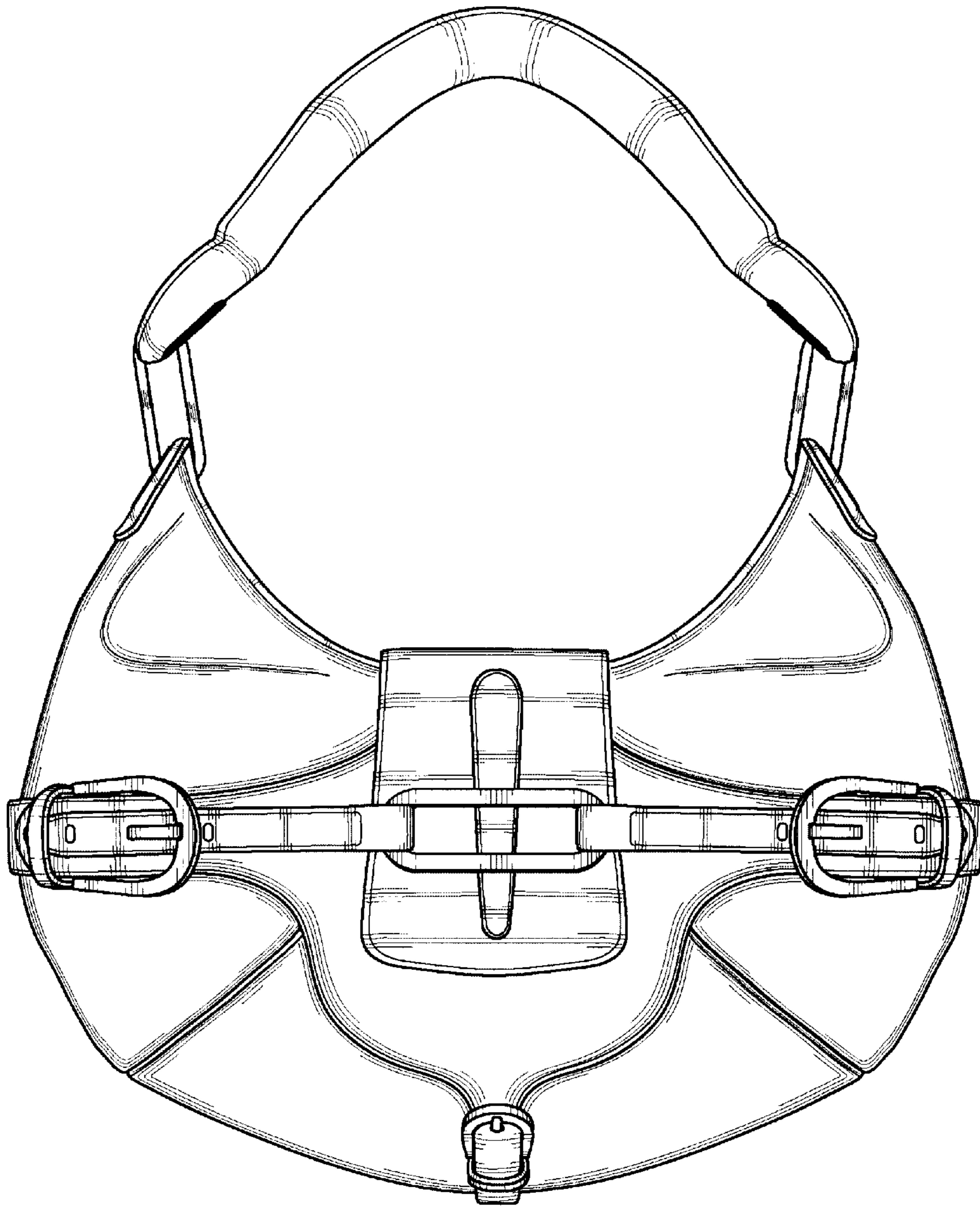


FIG. 2

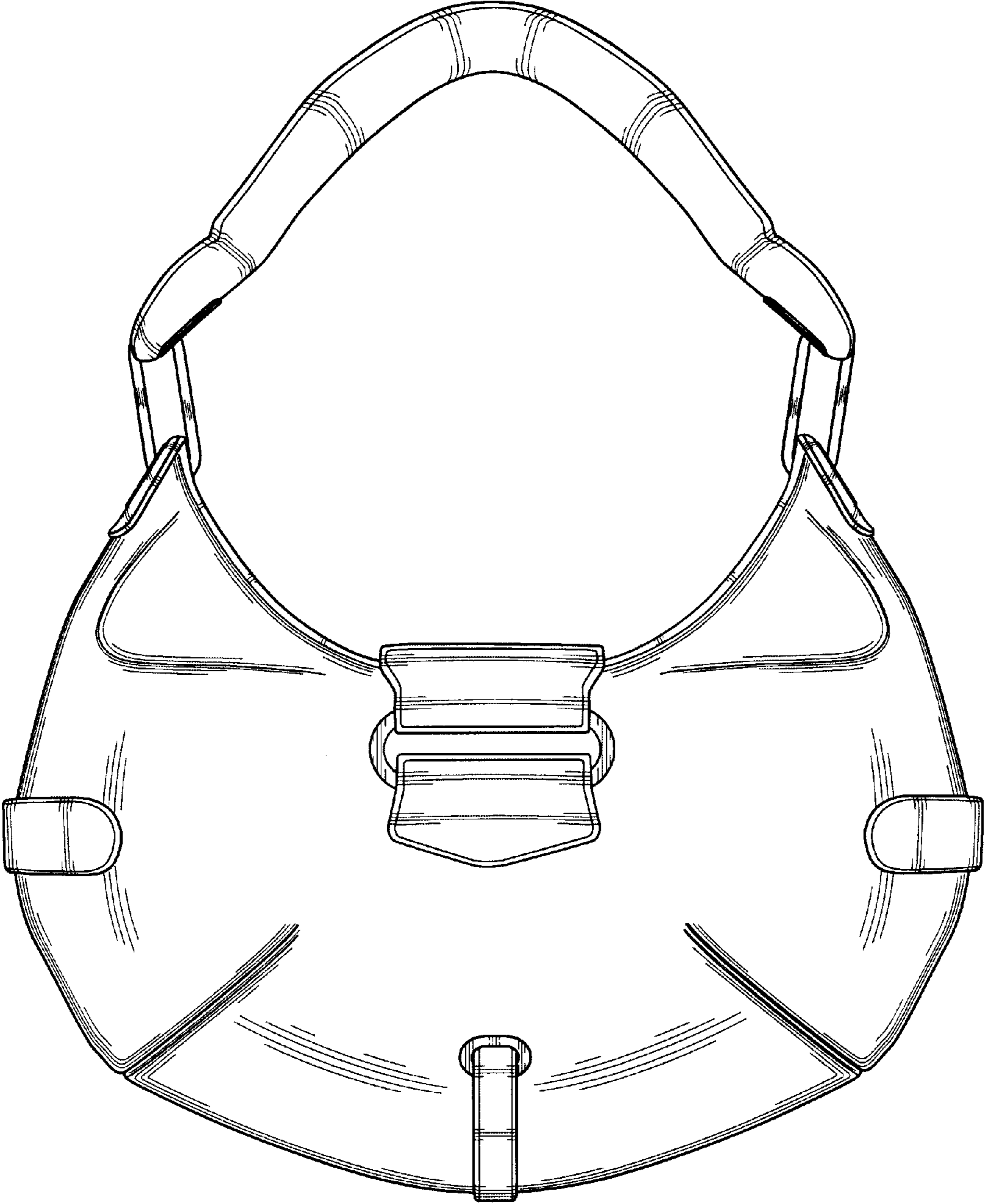


FIG. 3

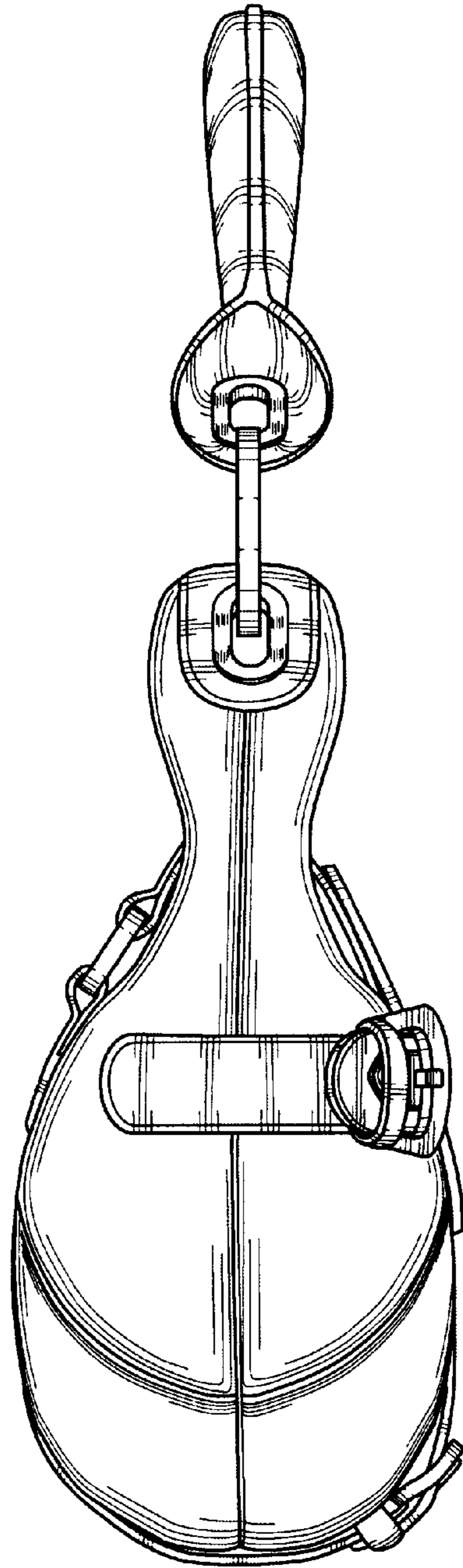


FIG. 4

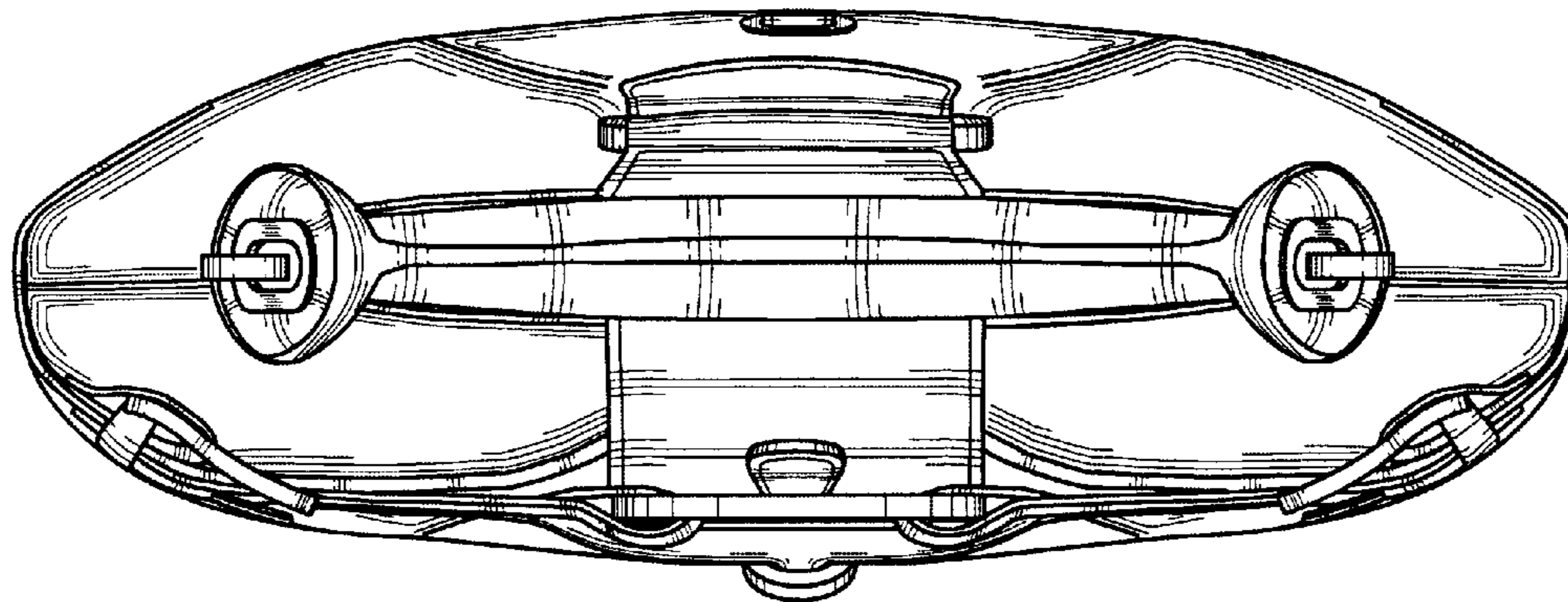


FIG. 5

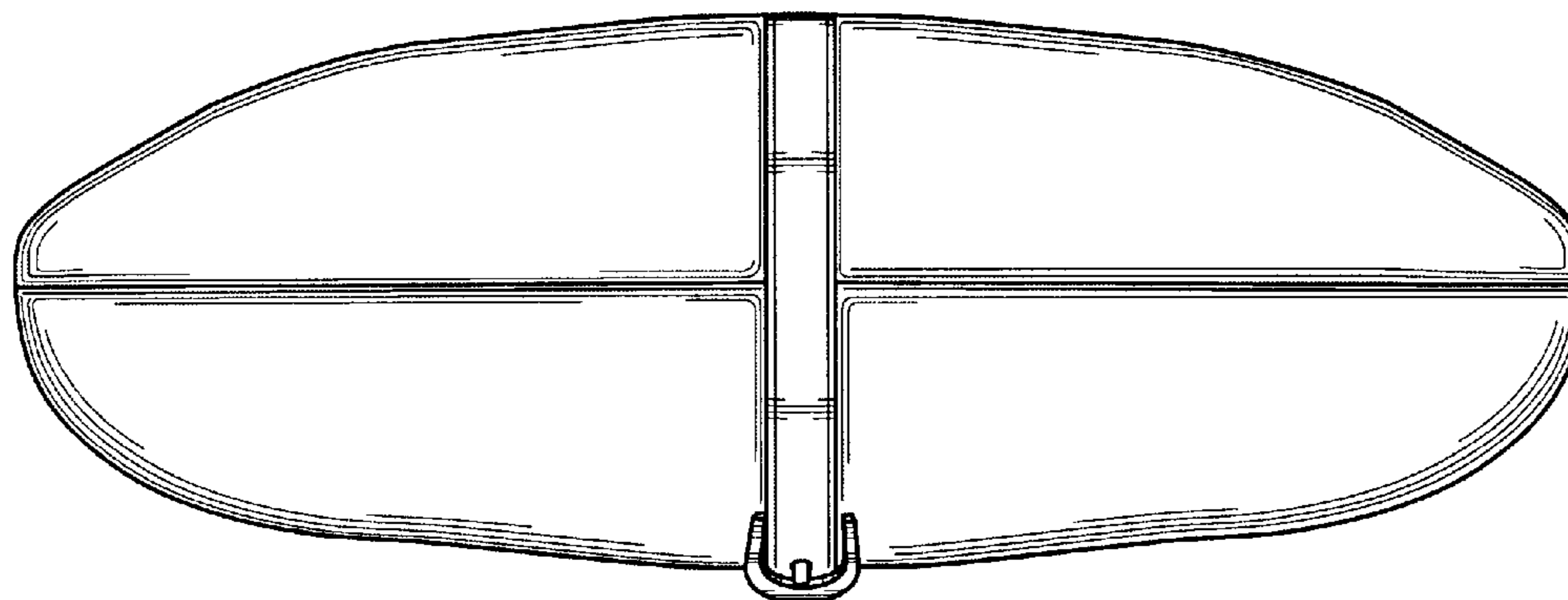


FIG. 6

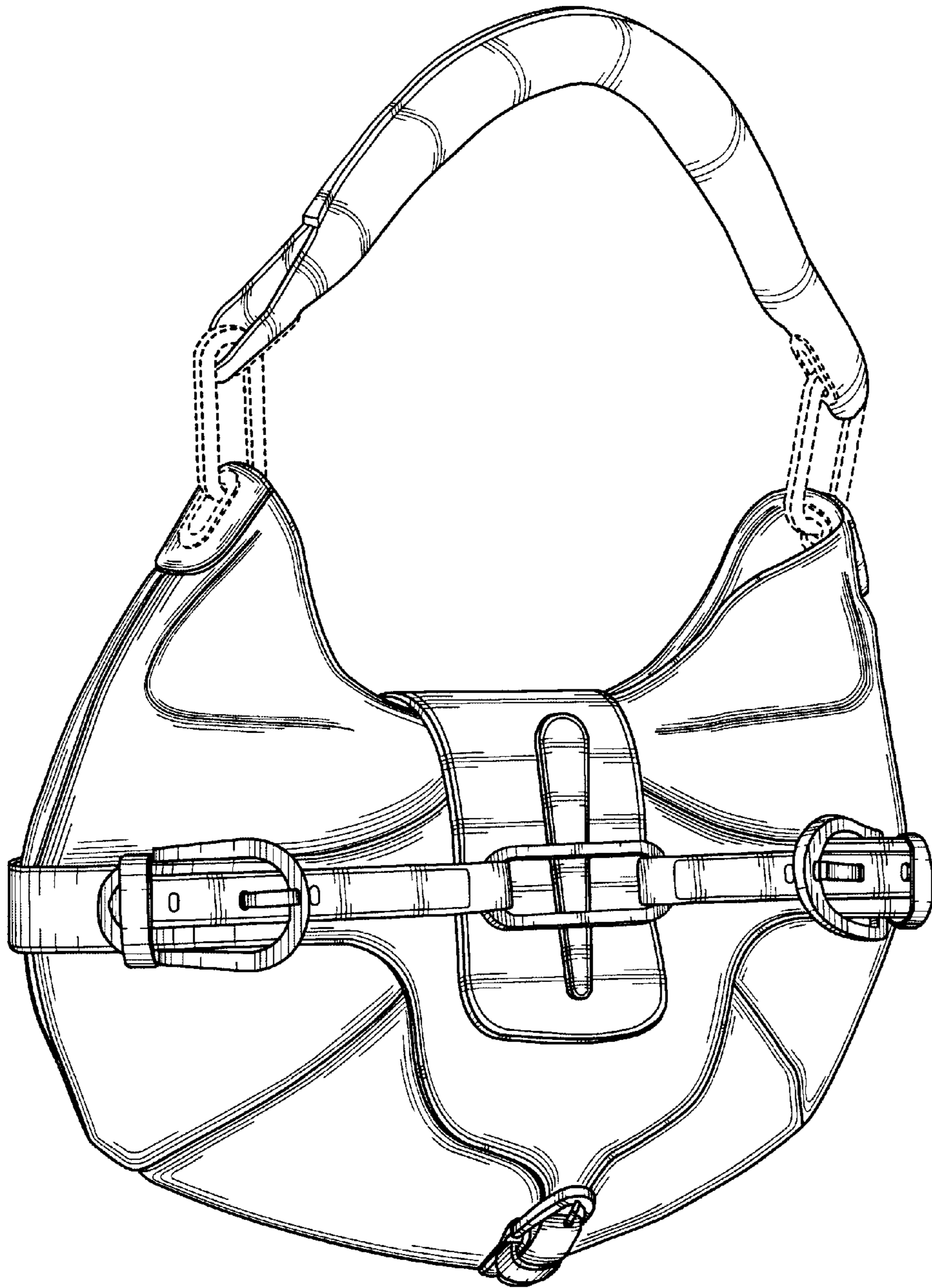


FIG. 7

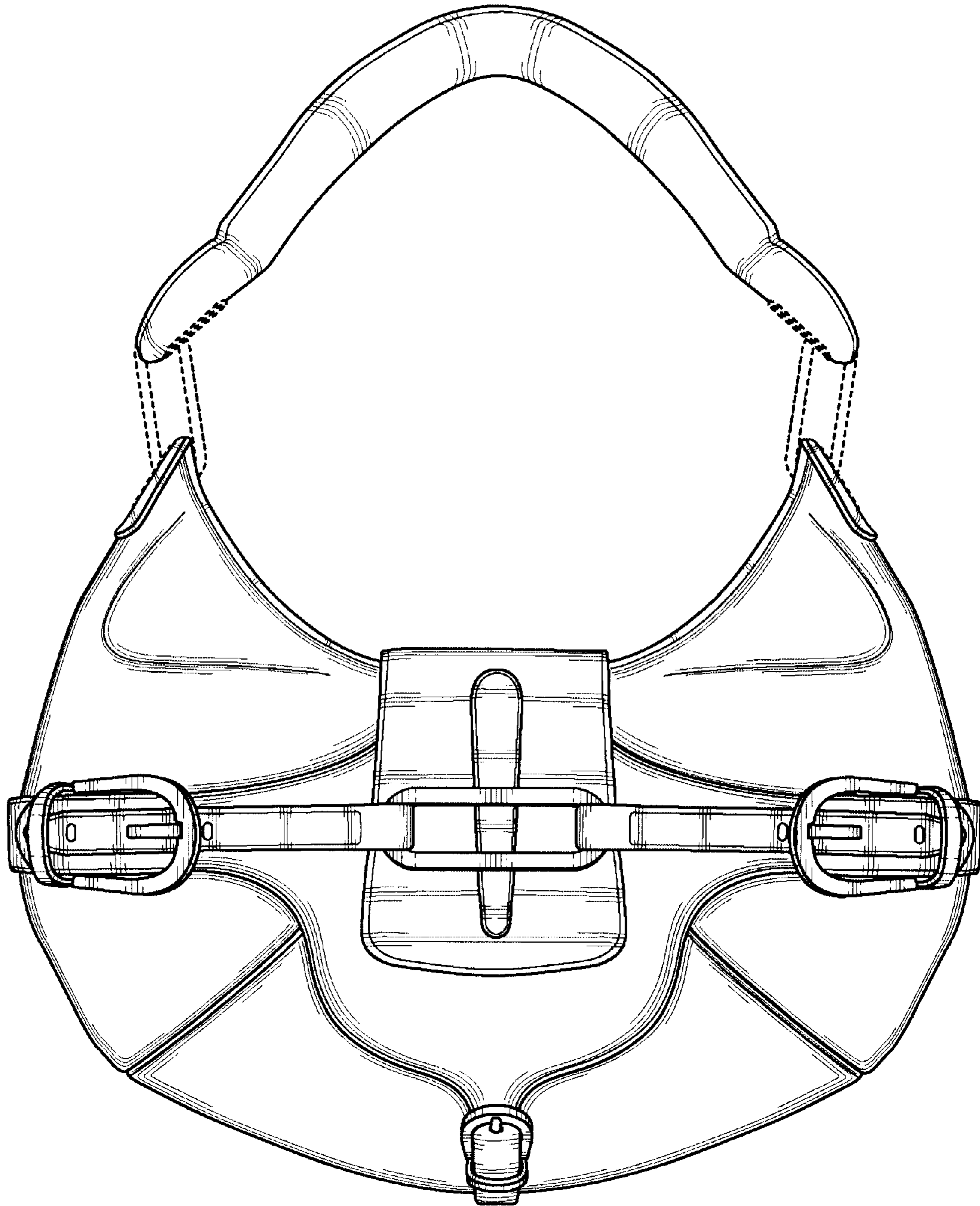


FIG. 8

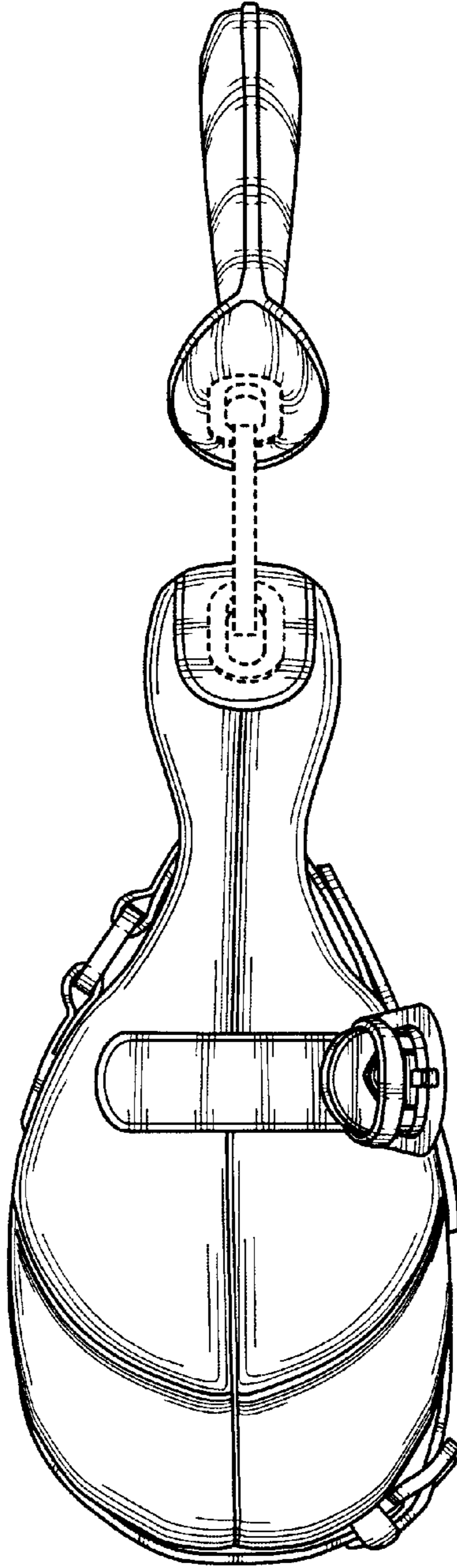


FIG. 9

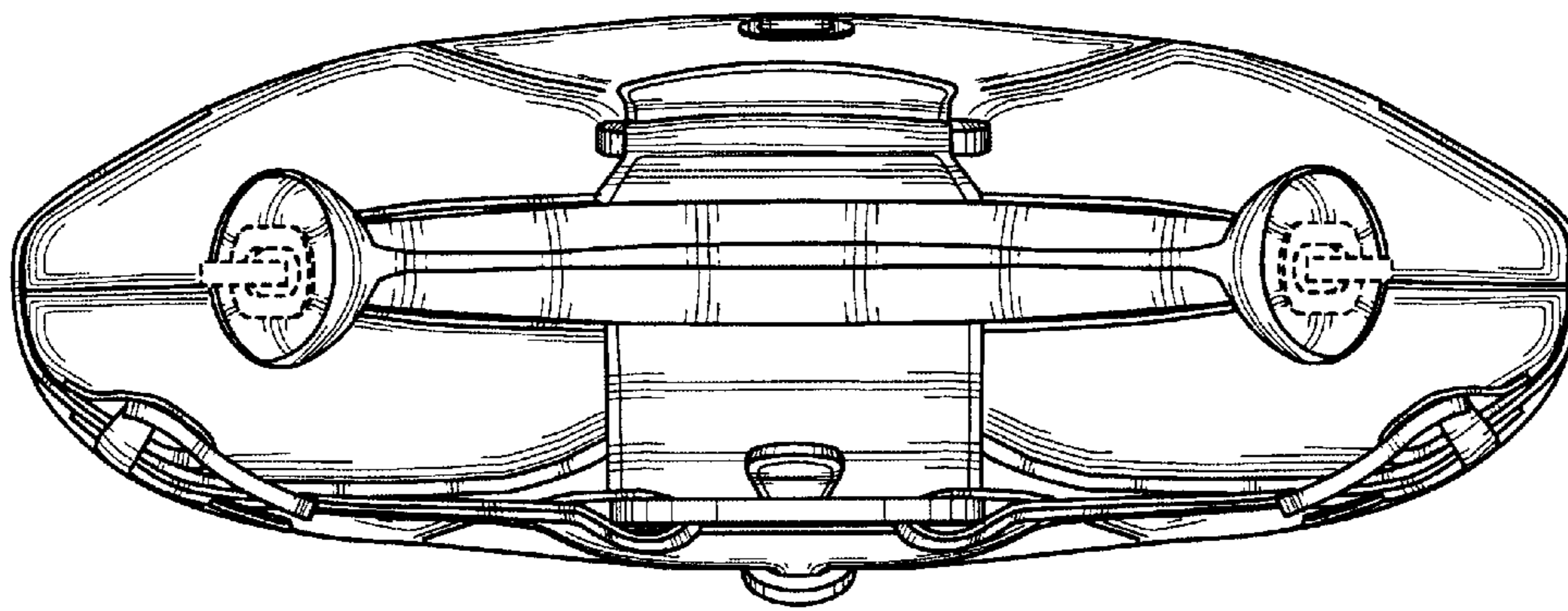


FIG. 10