



US00D540032S

(12) **United States Design Patent**
deDoes

(10) **Patent No.:** **US D540,032 S**

(45) **Date of Patent:** **** Apr. 10, 2007**

(54) **KNIFE SHEATH WITH CLIP FOR
LONGITUDINAL ATTACHMENT TO A
STRAP**

Primary Examiner—Catherine R. Oliver
(74) *Attorney, Agent, or Firm*—Shalom Wertsberger;
Saltamar Innovations

(76) **Inventor:** **Eric E. deDoes**, 3628 Turner Ridge
Rd., Somerville, ME (US) 04348

(57) **CLAIM**

The ornamental design for a knife sheath with clip for longitudinal attachment to a strap, as shown and described.

(**) **Term:** **14 Years**

DESCRIPTION

(21) **Appl. No.:** **29/254,411**

FIG. 1 is a rear perspective of the knife sheath, showing the transverse clip in an open position.

(22) **Filed:** **Feb. 23, 2006**

FIG. 2 is a rear view perspective of the knife sheath showing the transverse clip in a closed position.

(51) **LOC (8) Cl.** **03-01**

(52) **U.S. Cl.** **D3/220**

(58) **Field of Classification Search** D3/220;
D22/118, 117; 30/151, 162; 224/232
See application file for complete search history.

FIG. 3 is a front perspective of the knife sheath with the transverse clip in a closed position.

FIG. 4 is a front elevation view of the knife sheath, showing longitudinal attachment along a shoulder strap.

(56) **References Cited**

U.S. PATENT DOCUMENTS

4,759,483 A	7/1988	Willoughby	224/253
5,002,213 A	3/1991	Newton et al.	224/232
5,031,810 A	7/1991	Finn et al.	224/581
5,146,684 A	9/1992	Hagler	30/162
5,211,322 A	5/1993	Nealy	224/232
D448,442 S *	9/2001	Cheng	D22/118
2002/0152617 A1 *	10/2002	Liu	30/162

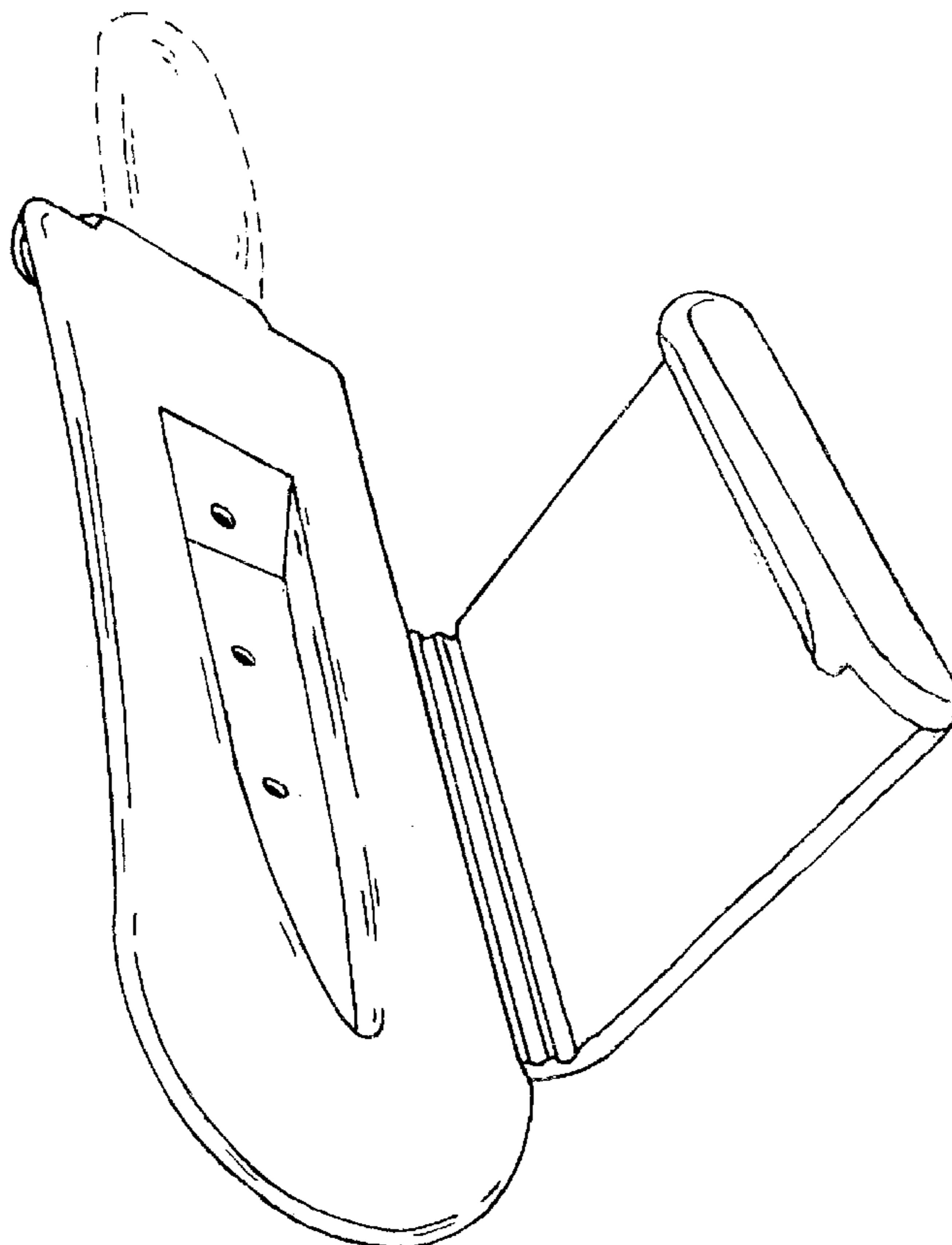
FIG. 5 is a front elevation view as in FIG. 4, shown without the optional knife; and,

FIG. 6 is a front perspective as shown in FIG. 3, shown without the optional knife.

The broken line showing of a knife in the drawings is included for the purpose of illustrating only and forms no part of the claimed design.

* cited by examiner

1 Claim, 6 Drawing Sheets



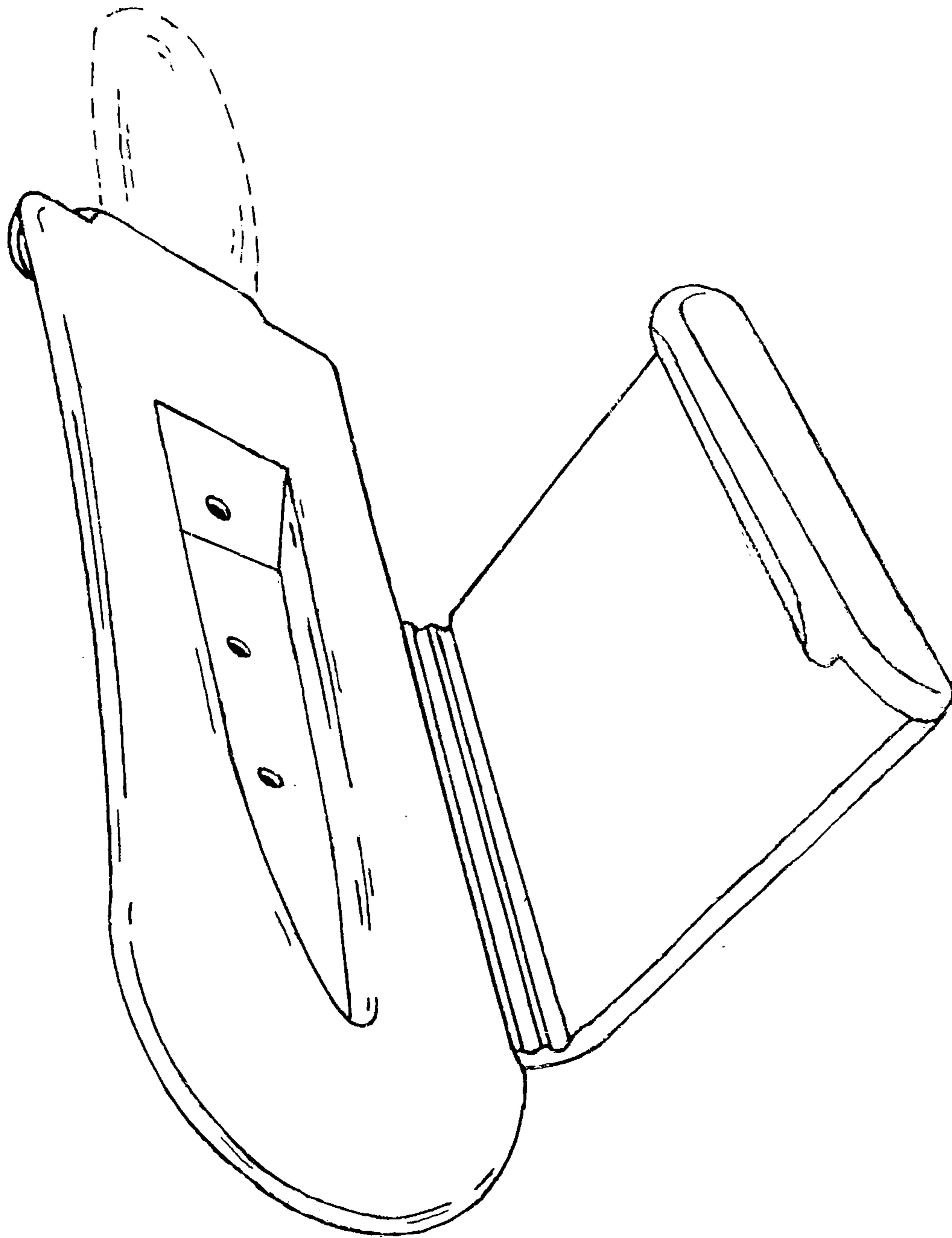


FIG. 1

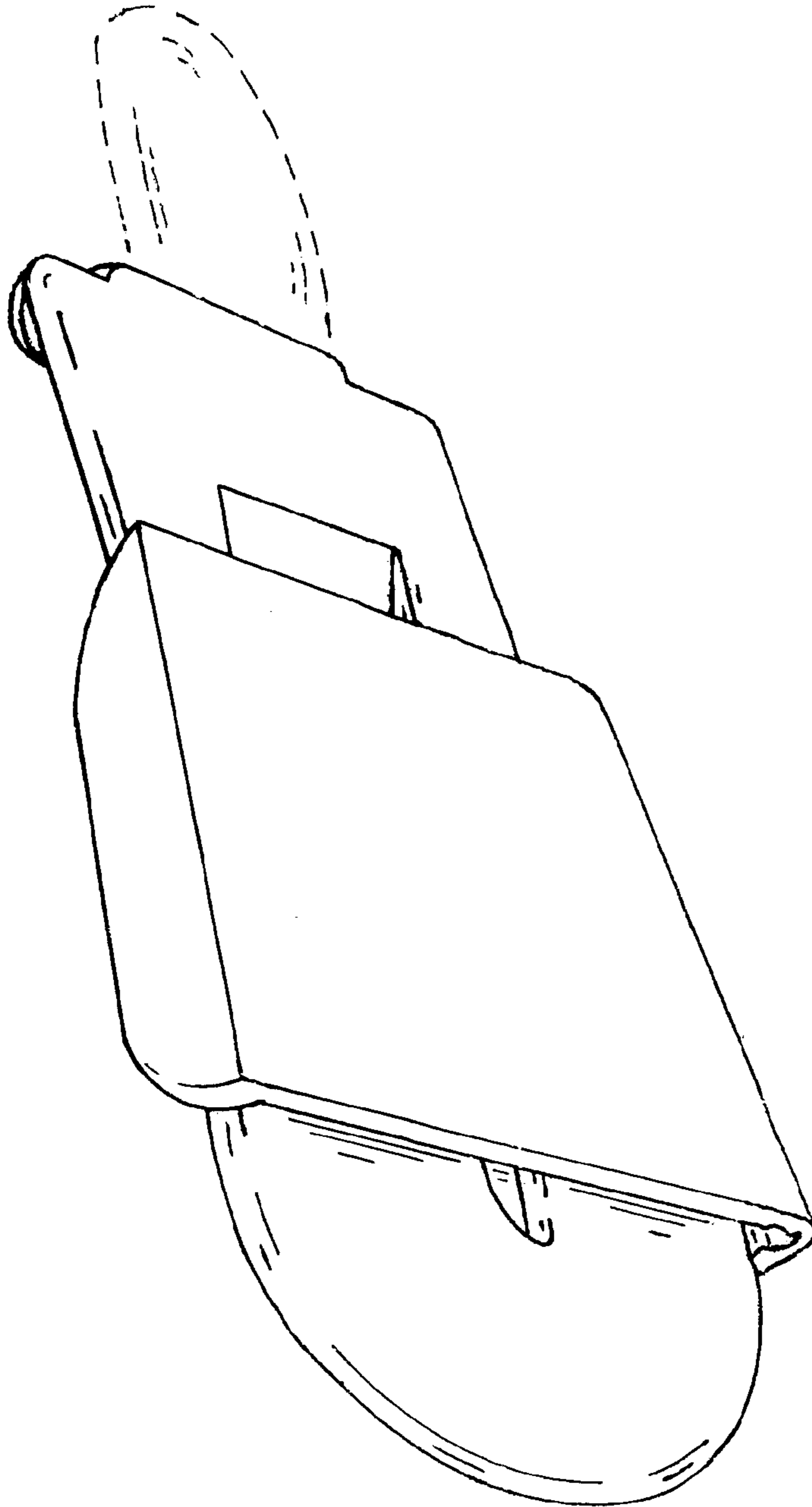


FIG. 2

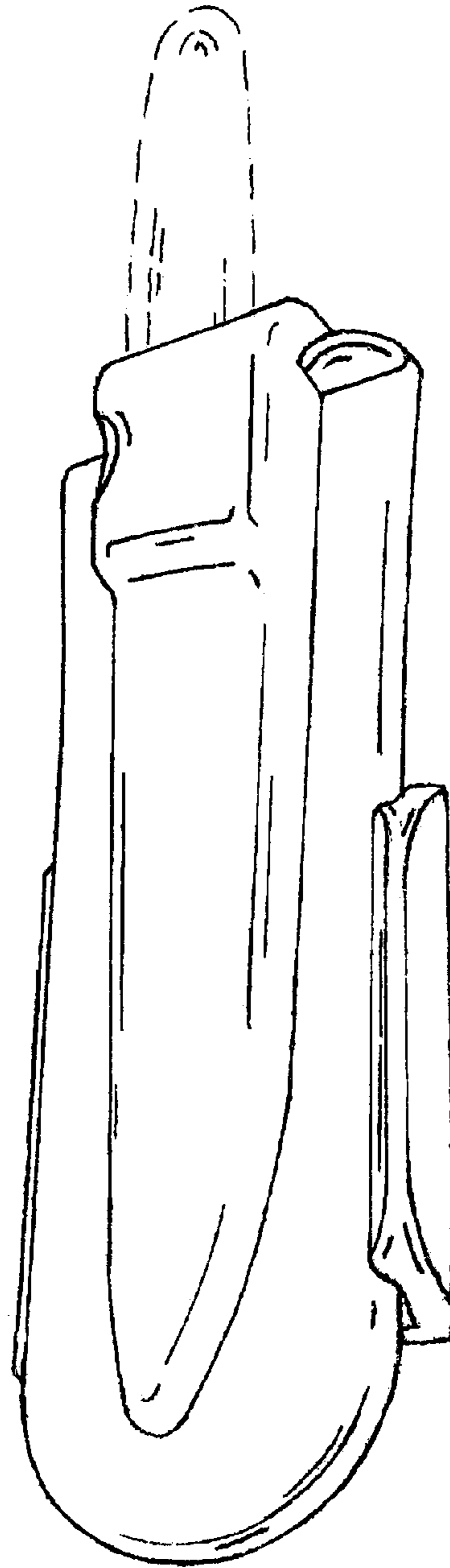


FIG. 3

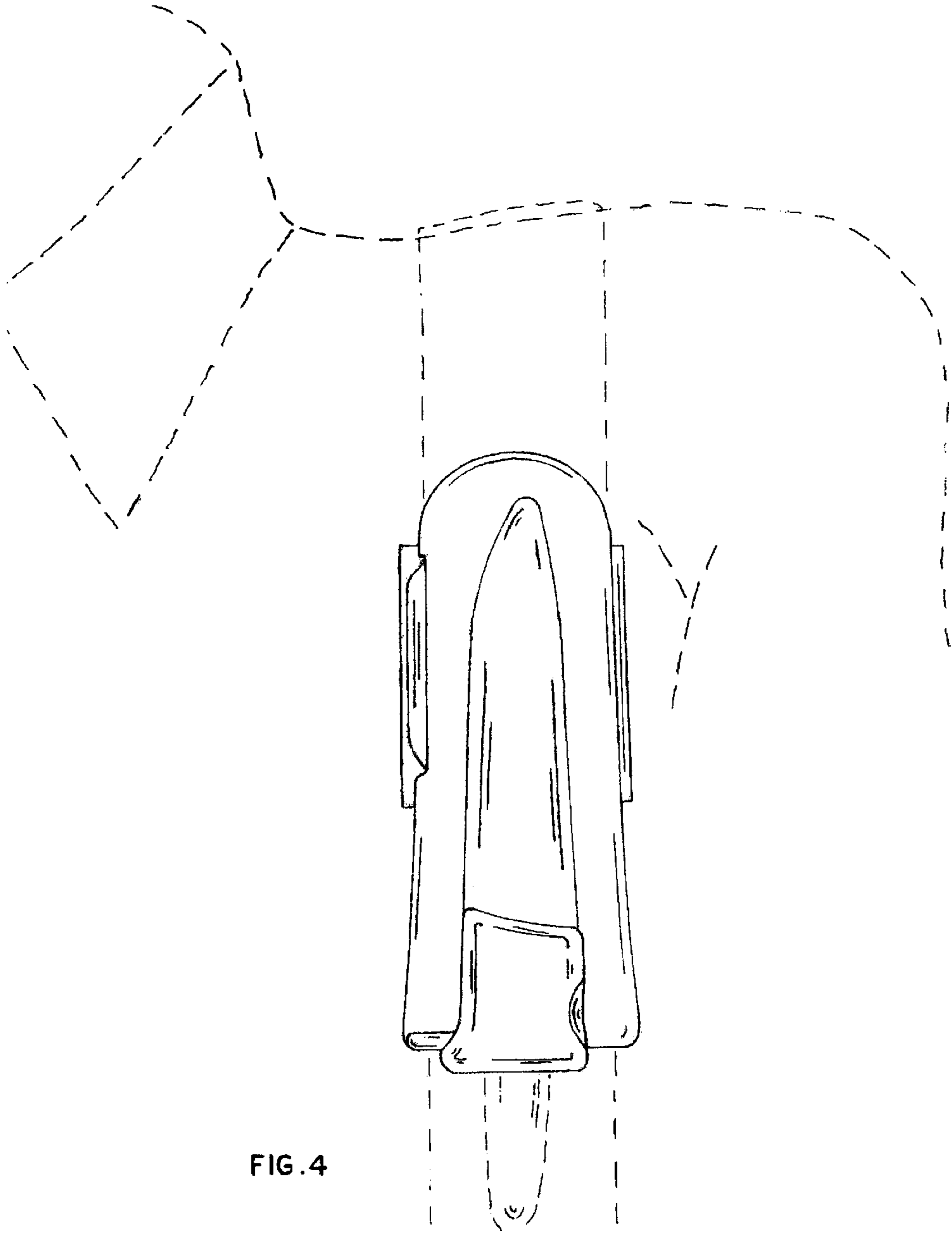


FIG.4

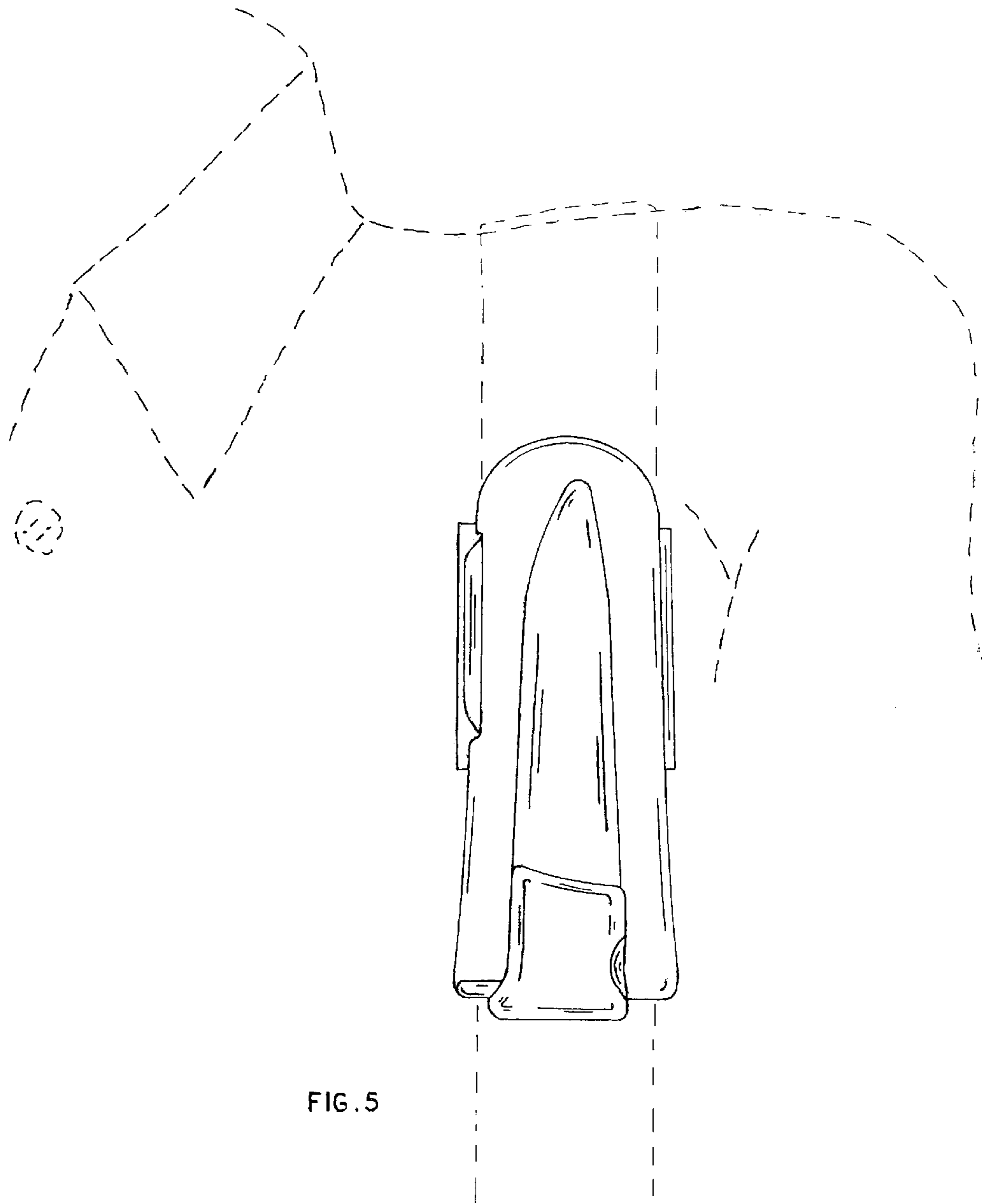




FIG. 6