

US00D540029S

(12) **United States Design Patent**
Morgan

(10) **Patent No.:** **US D540,029 S**

(45) **Date of Patent:** **** Apr. 10, 2007**

(54) **CRAFT HOOP WITH SLOTTED KNUCKLES**

6,158,153 A 12/2000 Morgan
D445,562 S * 7/2001 Bronstein et al. D3/26

(76) Inventor: **Robert Elliott Morgan**, 10025
Highway BB, Hillsboro, MO (US)
63050

* cited by examiner

(**) Term: **14 Years**

Primary Examiner—Louis S. Zarfes
Assistant Examiner—Anhdao Doan
(74) *Attorney, Agent, or Firm*—Erickson & Kleypas, LLC

(21) Appl. No.: **29/218,688**

(57) **CLAIM**

(22) Filed: **Dec. 6, 2004**

The ornamental design for a craft hoop with slotted knuckles, as shown and described.

(51) **LOC (8) Cl.** **02-07**

(52) **U.S. Cl.** **D3/26**

(58) **Field of Classification Search** D3/18,
D3/20–29; 38/102.1, 102.2, 102.91; 112/103
See application file for complete search history.

DESCRIPTION

(56) **References Cited**

U.S. PATENT DOCUMENTS

3,906,647	A	*	9/1975	Bates, Jr.	38/102.2
4,494,344	A	*	1/1985	Petcen	38/102.2
4,723,367	A	*	2/1988	Samoilov et al.	38/102.2
D298,697	S	*	11/1988	Sass	D3/18
D309,057	S	*	7/1990	Peters	D3/26
5,555,653	A		9/1996	Morgan		
5,722,191	A		3/1998	Morgan		
6,095,068	A	*	8/2000	Hori	112/103

FIG. 1 is a perspective view of a craft hoop with slotted knuckles according to the present invention.
FIG. 2 is a front elevational view of the craft hoop of FIG. 1.
FIG. 3 is a right side elevational view of the craft hoop of FIG. 1.
FIG. 4 is a bottom plan view of the craft hoop of FIG. 1.
FIG. 5 is a rear elevational view of the craft hoop of FIG. 1.
FIG. 6 is a left side elevational view of the craft hoop of FIG. 1; and,
FIG. 7 is a top plan view of the craft hoop of FIG. 1.

1 Claim, 2 Drawing Sheets

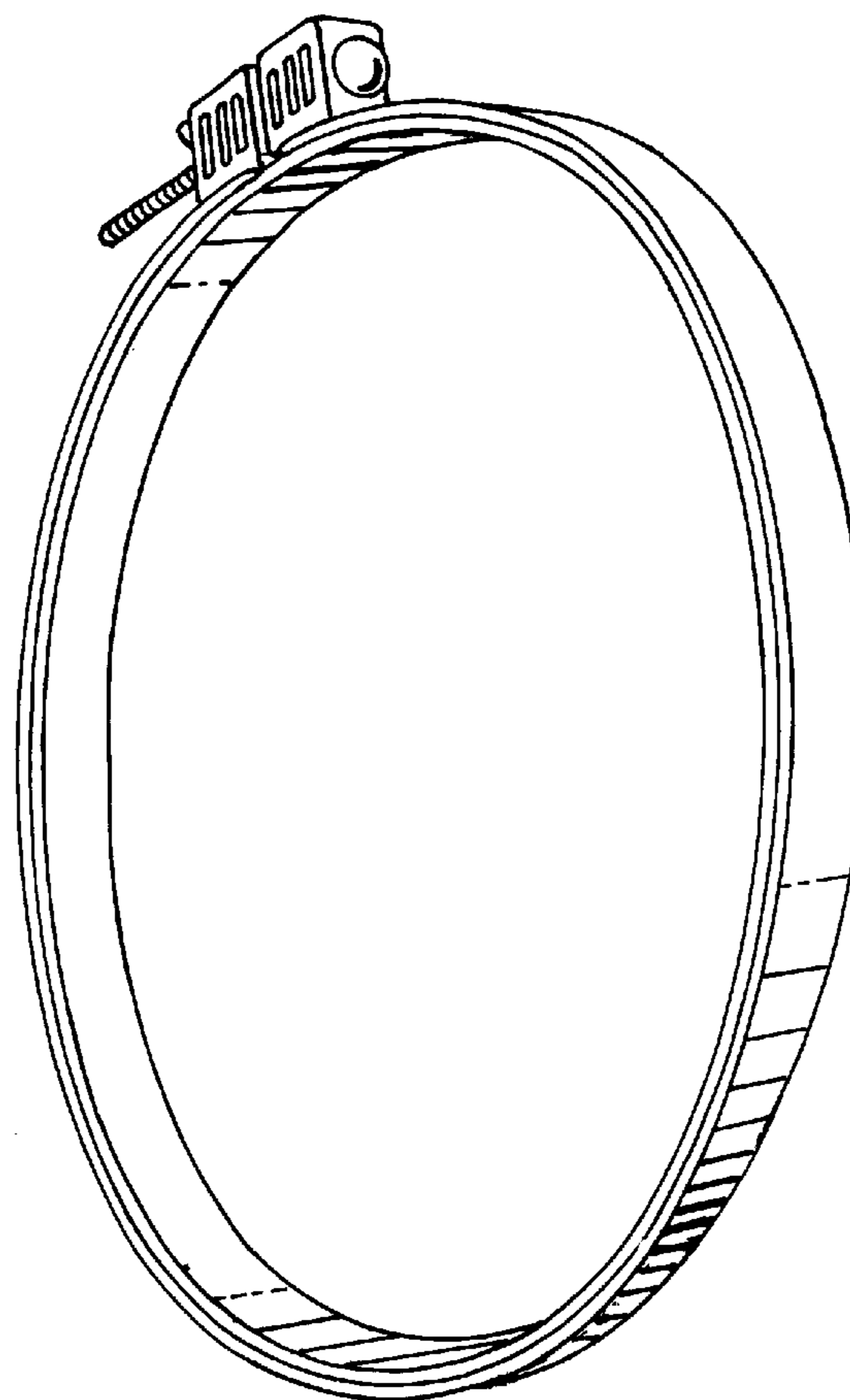


Fig. 1.

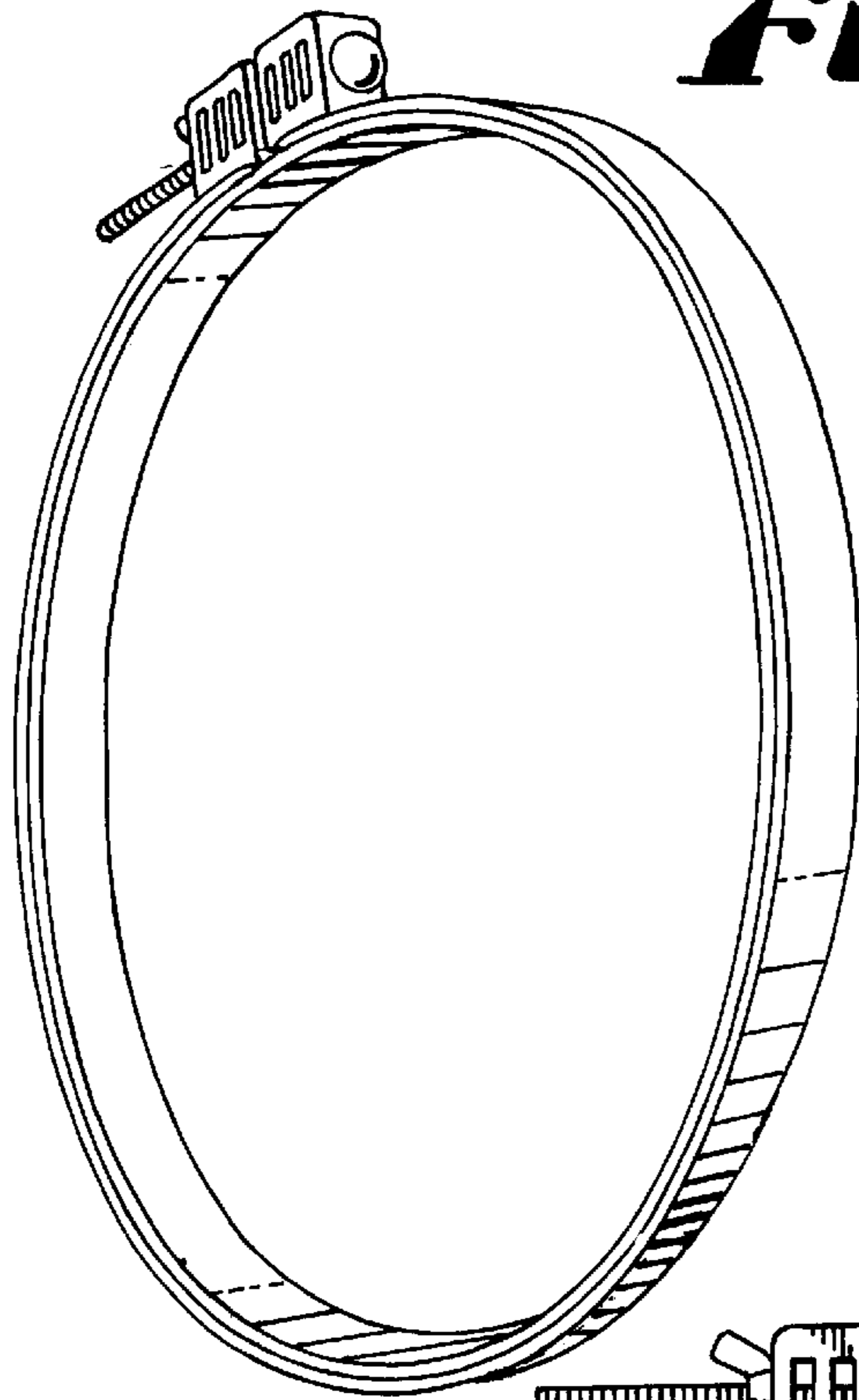


Fig. 3.

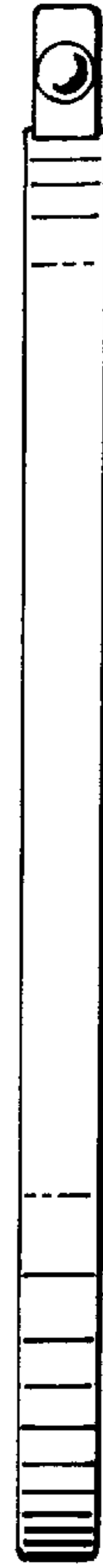


Fig. 2.

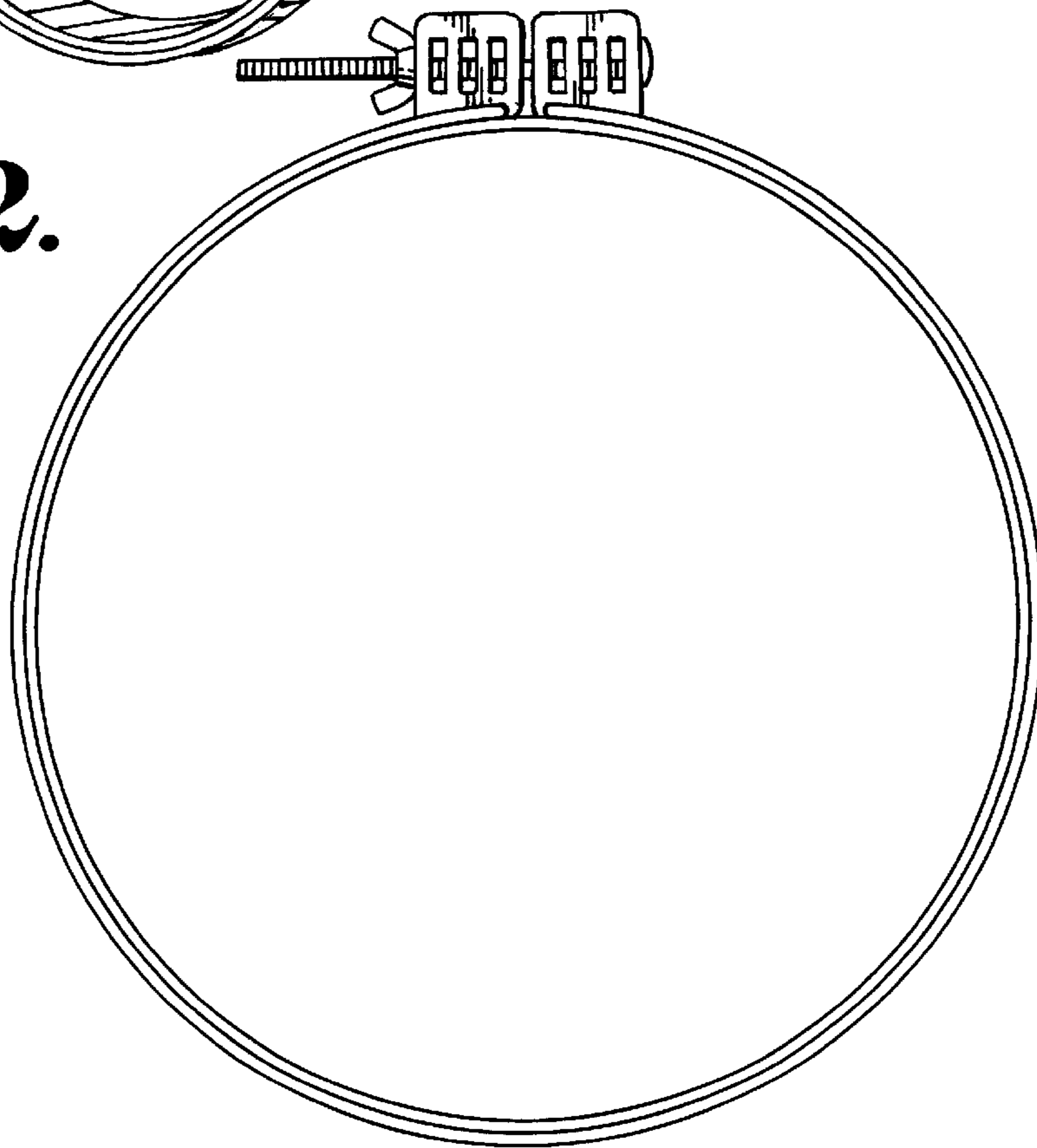




Fig. 4.

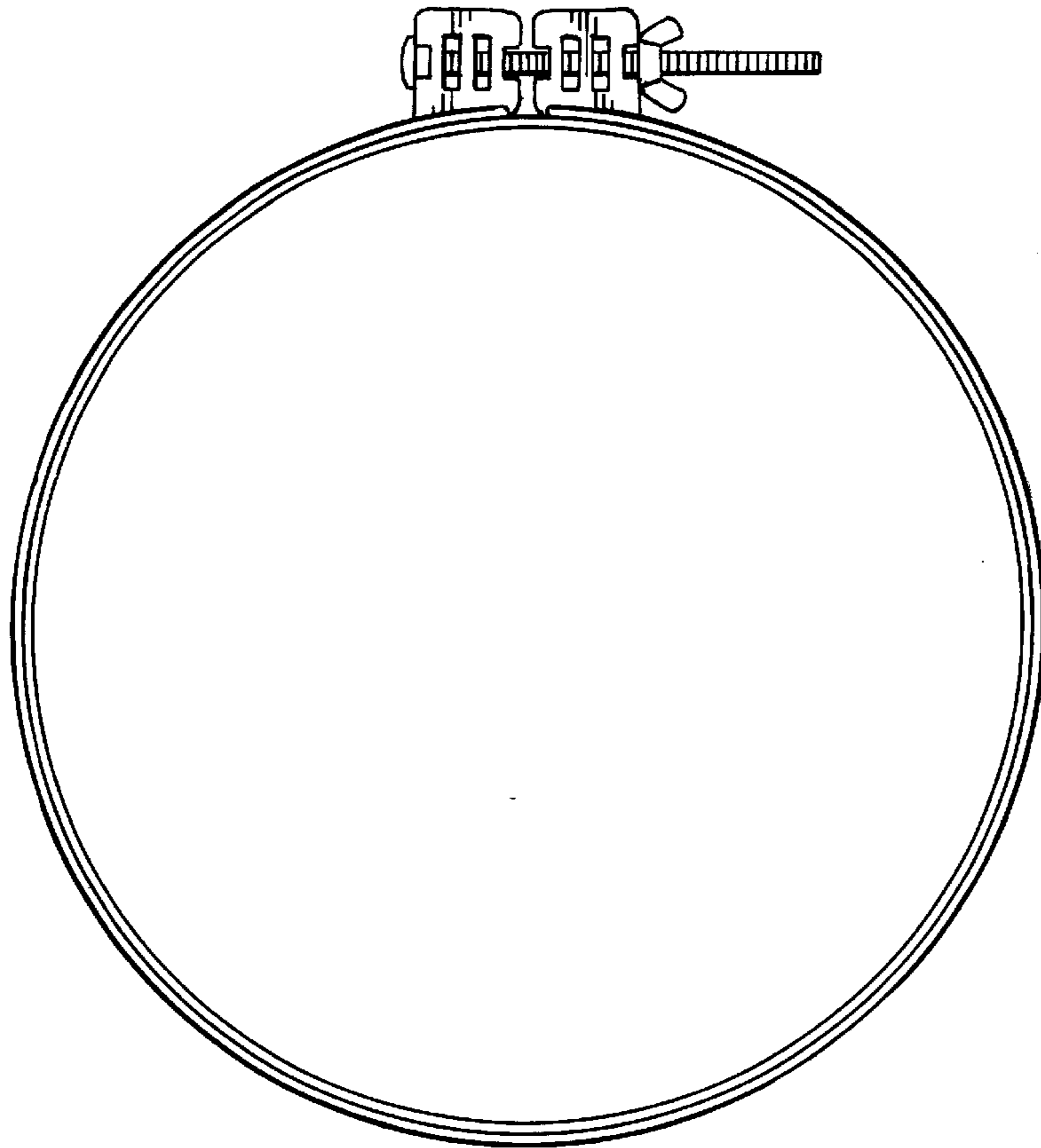


Fig. 5.



Fig. 6.



Fig. 7.