

US00D540006S

(12) **United States Design Patent**
Green et al.

(10) **Patent No.:** **US D540,006 S**

(45) **Date of Patent:** **** Apr. 10, 2007**

(54) **CONE AND POPSICLE PROTECTOR SET**

(76) Inventors: **Beverly Green**, 1047 Sentinal Oak Dr.,
Lake Wylie, SC (US) 29710; **Robert K. Hough**, 1034 Sentinal Oak Dr., Lake
Wylie, SC (US) 29710

(**) Term: **14 Years**

(21) Appl. No.: **29/251,122**

(22) Filed: **Jan. 4, 2006**

(51) **LOC (8) Cl.** **01-99**

(52) **U.S. Cl.** **D1/105**

(58) **Field of Classification Search** D1/101-2,
D1/105, 122, 199; 426/90-1, 100-101, 104,
426/132-4, 138-9, 421, 515; D21/386
See application file for complete search history.

(56) **References Cited**

U.S. PATENT DOCUMENTS

1,761,703	A	*	6/1930	Brimer	383/4
2,057,297	A	*	10/1936	Fatland	426/134
D107,761	S		1/1938	Fair		
2,321,519	A		6/1943	Rubinoff		
2,735,778	A	*	2/1956	Taylor	426/110
D192,225	S	*	2/1962	Coleman	D1/105
3,088,643	A	*	5/1963	Dunn	426/134
3,306,512	A		2/1967	Pagnini		
4,718,594	A	*	1/1988	Harazi	426/132
4,938,411	A		7/1990	Rizzuto		

D317,222	S	*	6/1991	Dodge	D1/102
5,152,454	A		10/1992	Warta et al.		
5,198,127	A	*	3/1993	Tilley et al.	249/92
D391,036	S	*	2/1998	Sotile	D1/105
6,032,825	A	*	3/2000	Guthrie	220/731
6,182,854	B1		2/2001	Jimenez et al.		
2003/0087011	A1	*	5/2003	Perkins	426/134
2004/0096553	A1	*	5/2004	Lynch	426/132
2005/0202138	A1	*	9/2005	Kazich	426/421

* cited by examiner

Primary Examiner—Robin Webster

Assistant Examiner—Karen E. Patterson

(74) *Attorney, Agent, or Firm*—Lawrence J. Gibney, Jr.

(57) **CLAIM**

The ornamental design for a cone and popsicle protector set,
as shown and described.

DESCRIPTION

FIG. 1 is a top plan view of the cone and popsicle protector set,
showing my new design;

FIG. 2 is a bottom plan view thereof;

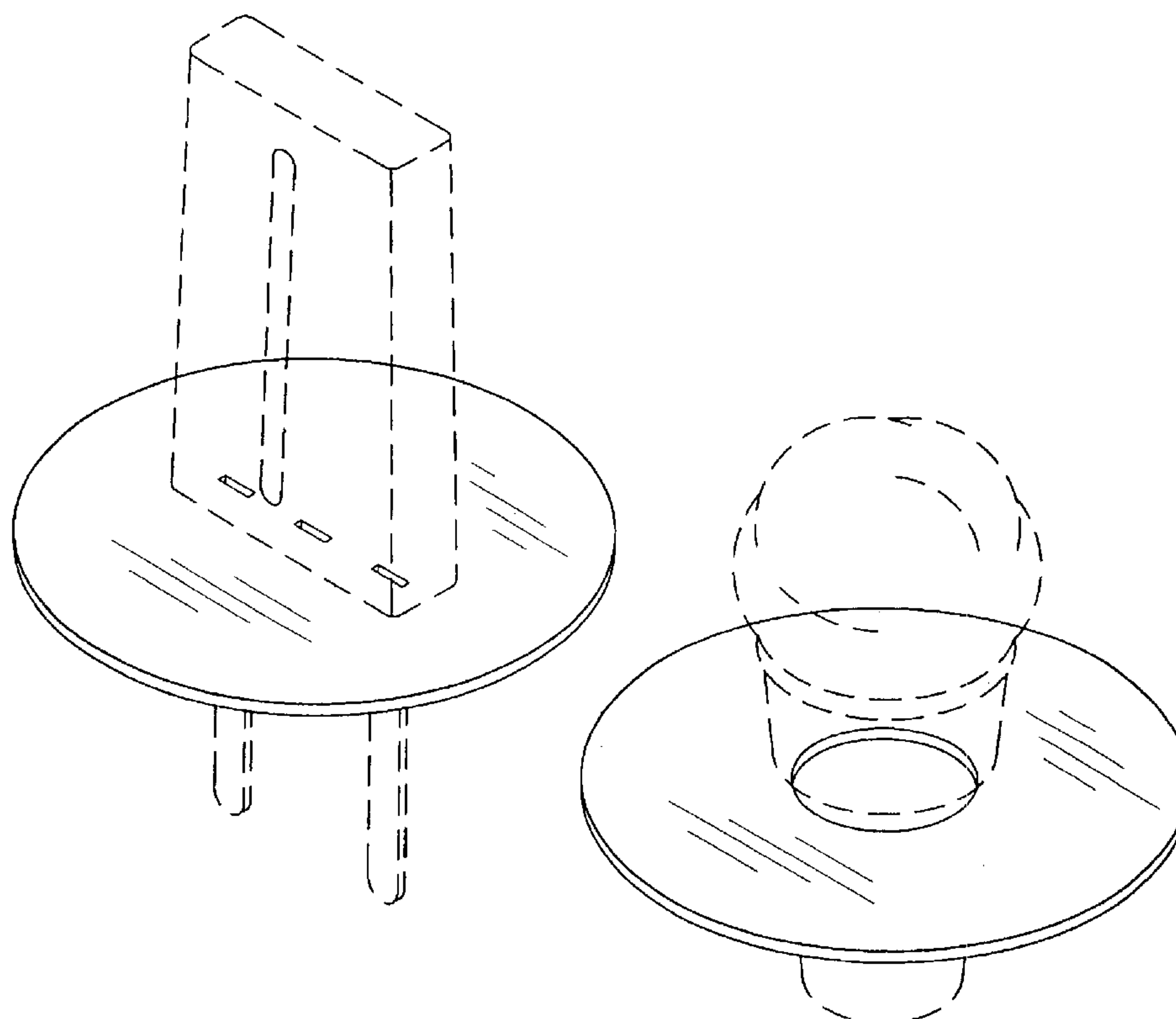
FIG. 3 is a right side elevational view thereof;

FIG. 4 is a front elevational view thereof; and,

FIG. 5 is an isometric view thereof.

The broken lines are included for the purpose of illustrating
environmental structure and form no part of the claimed
design.

1 Claim, 3 Drawing Sheets



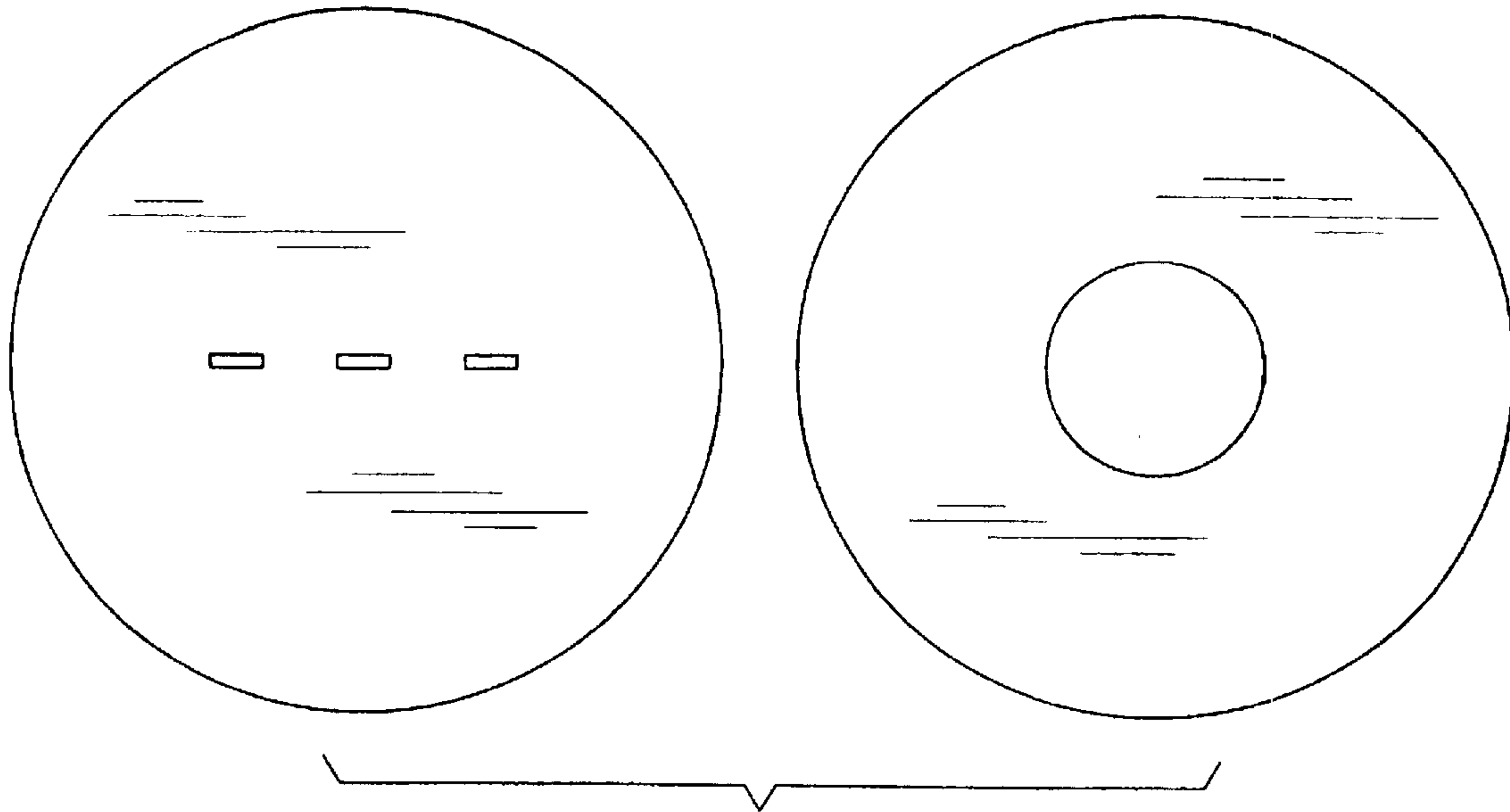


FIG. 1

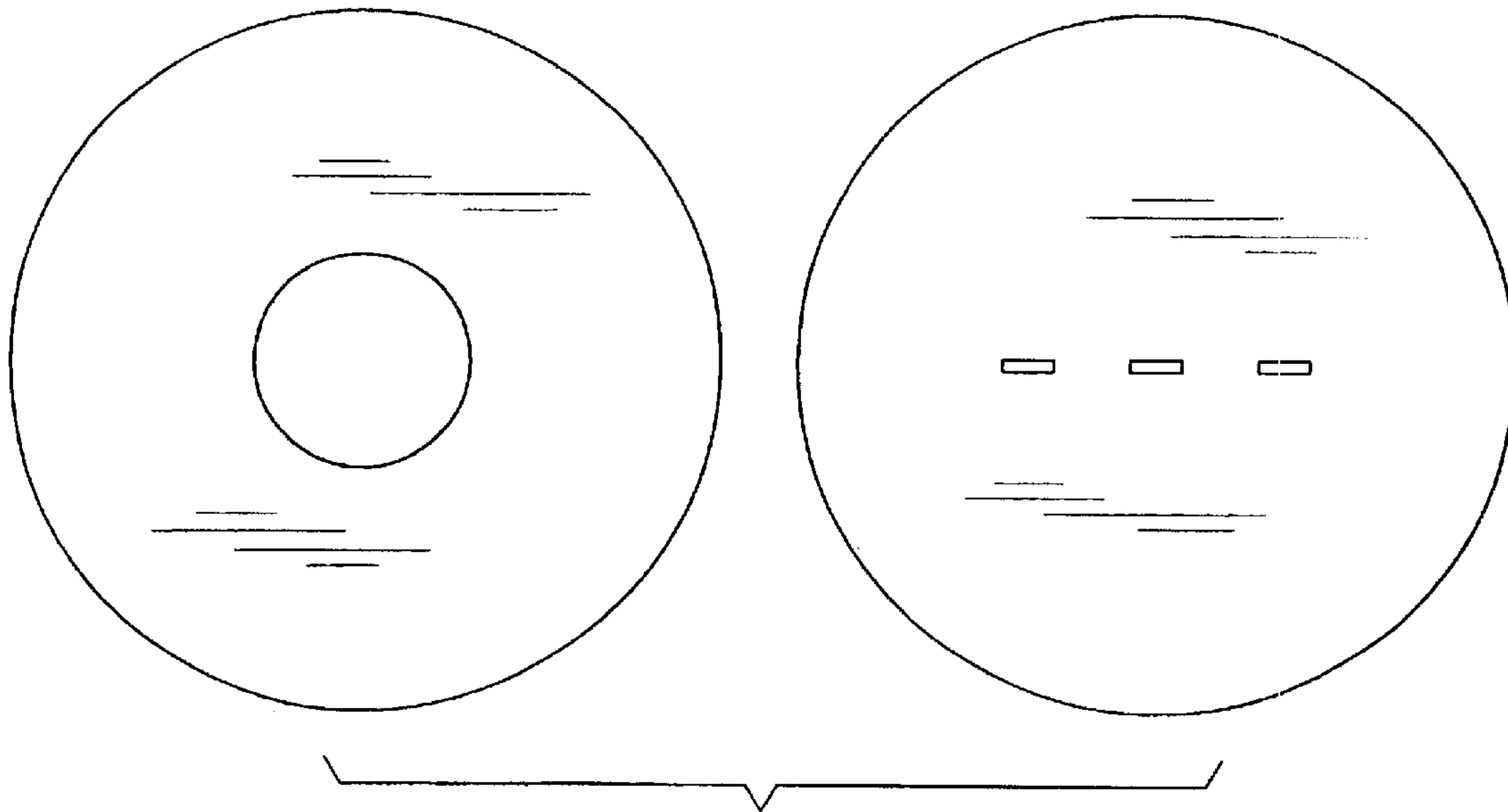


FIG. 2

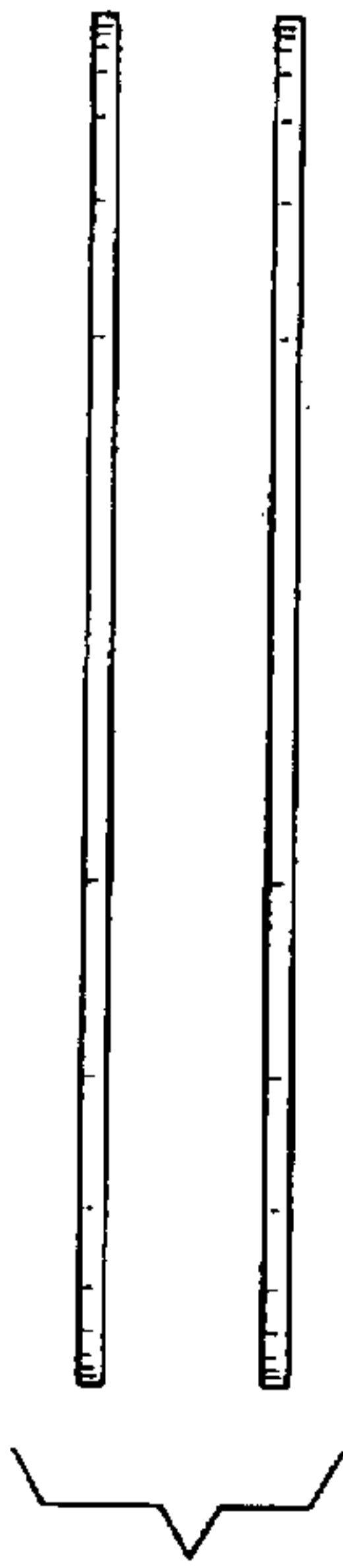


FIG. 3

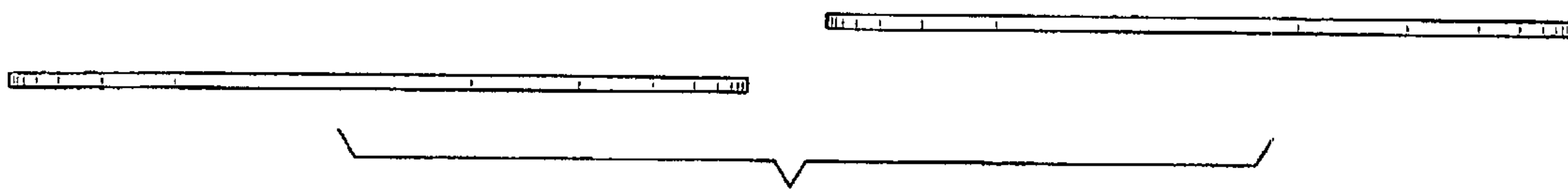


FIG. 4

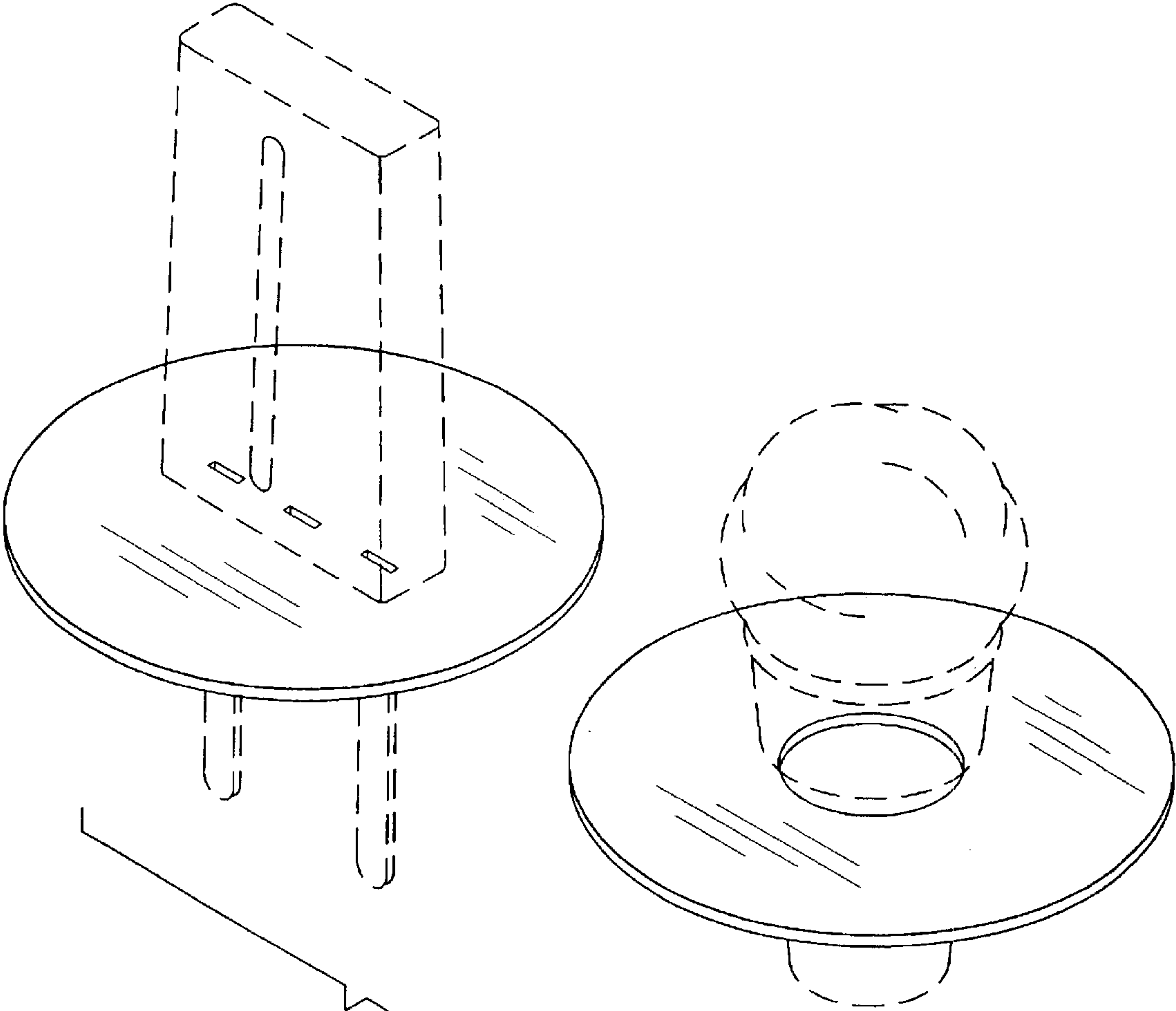


FIG. 5