

US00D540004S

(12) **United States Design Patent**  
**Kang et al.**

(10) **Patent No.:** **US D540,004 S**

(45) **Date of Patent:** **\*\* Apr. 3, 2007**

(54) **AUTOMATED TELLER MACHINE**

(75) Inventors: **Dong Goo Kang**, Gyeonggi-do (KR);  
**Jun Hae Kim**, Gyeonggi-do (KR);  
**Jong Ok Lee**, Gyeonggi-do (KR)

(73) Assignee: **Nautilus Hyosung Inc.** (KR)

(\*\*) Term: **14 Years**

(21) Appl. No.: **29/246,459**

(22) Filed: **Apr. 13, 2006**

(30) **Foreign Application Priority Data**

Jan. 26, 2006 (KR) ..... 30-2006-0003151

(51) **LOC (8) Cl.** ..... **99-00**

(52) **U.S. Cl.** ..... **D99/28**

(58) **Field of Classification Search** ..... D99/28,  
D99/43, 99; D20/1, 4, 5; D18/3.1, 3.3, 4.6;  
D6/421, 436, 470; D14/130, 302, 308; 235/379,  
235/380, 381; 221/128-130; 453/1-6, 21,  
453/58; 194/206, 217, 347, 350; 361/681;  
25/1

See application file for complete search history.

(56) **References Cited**

**U.S. PATENT DOCUMENTS**

D388,229 S \* 12/1997 Couch ..... D99/28

D405,833 S \* 2/1999 Mussett ..... D20/1  
D410,129 S \* 5/1999 Molander et al. .... D99/28  
5,984,177 A \* 11/1999 Do et al. .... 235/379  
D419,277 S \* 1/2000 Ishii et al. .... D99/35  
6,029,888 A \* 2/2000 Harvey ..... 235/379  
6,061,666 A \* 5/2000 Do et al. .... 705/43  
D447,164 S \* 8/2001 Forslund ..... D18/3.1  
D456,587 S \* 4/2002 Kit et al. .... D99/28  
6,527,172 B1 \* 3/2003 Lewis et al. .... 235/379  
D481,516 S \* 10/2003 Magee et al. .... D99/28  
D492,081 S \* 6/2004 Magee et al. .... D99/28  
D505,240 S \* 5/2005 Swaine et al. .... D99/28

\* cited by examiner

*Primary Examiner*—Paula A. Greene

(74) *Attorney, Agent, or Firm*—Fish & Richardson P.C.

(57) **CLAIM**

The ornamental design for an automated teller machine, as shown and described.

**DESCRIPTION**

FIG. 1 is a perspective view.

FIG. 2 is a front view.

FIG. 3 is a rear view.

FIG. 4 is a left side view that is symmetric with a right side view.

FIG. 5 is a top view; and,

FIG. 6 is a bottom view.

**1 Claim, 4 Drawing Sheets**

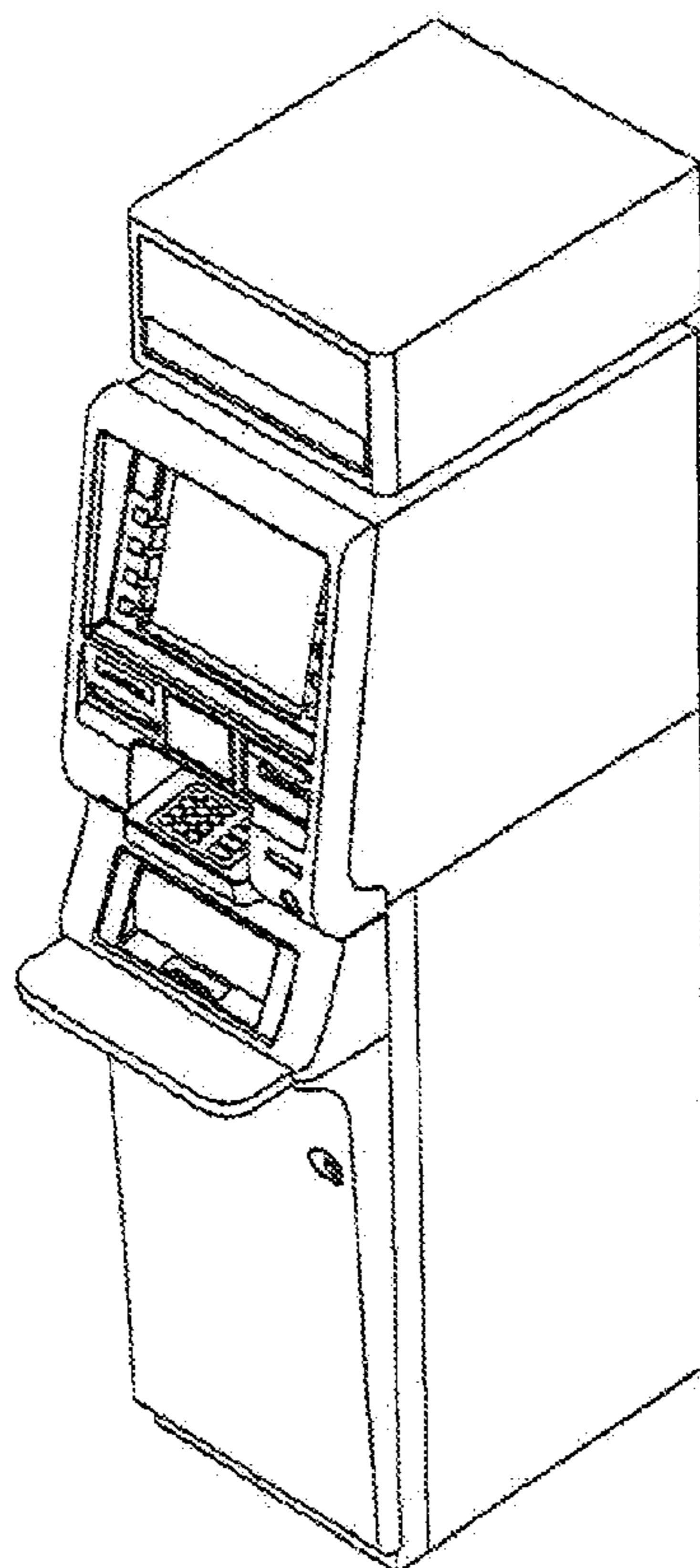


FIG. 1

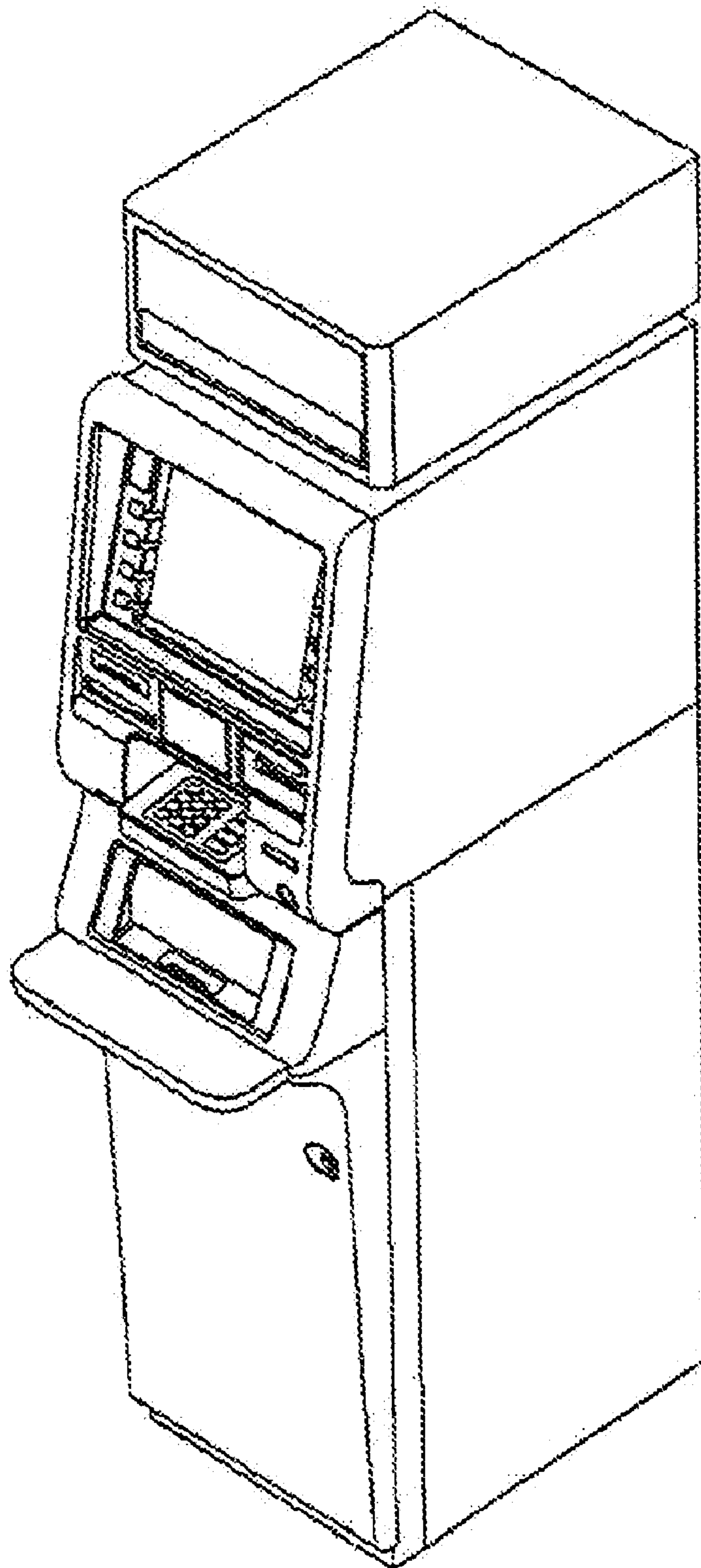


FIG. 2

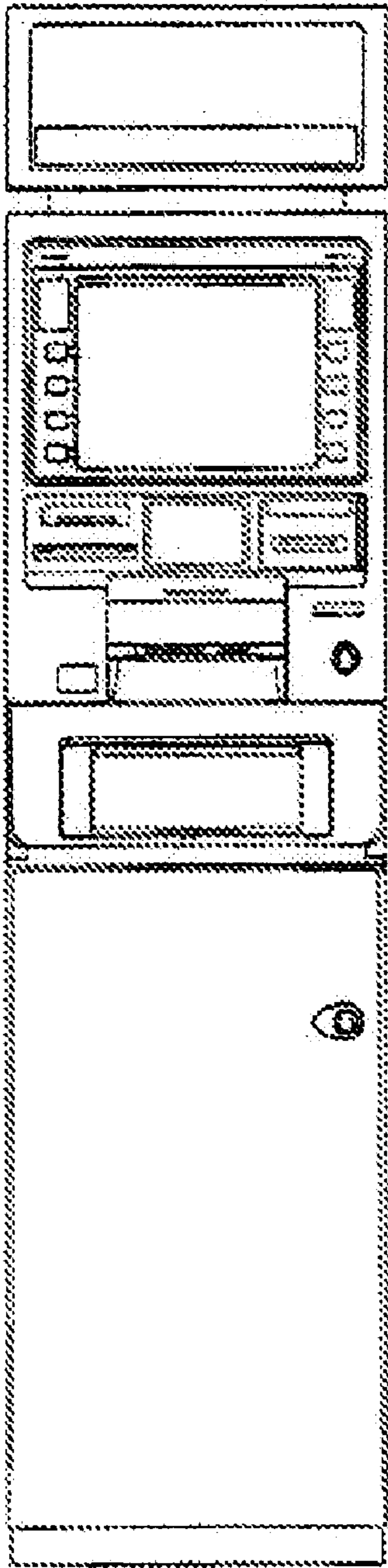


FIG. 3

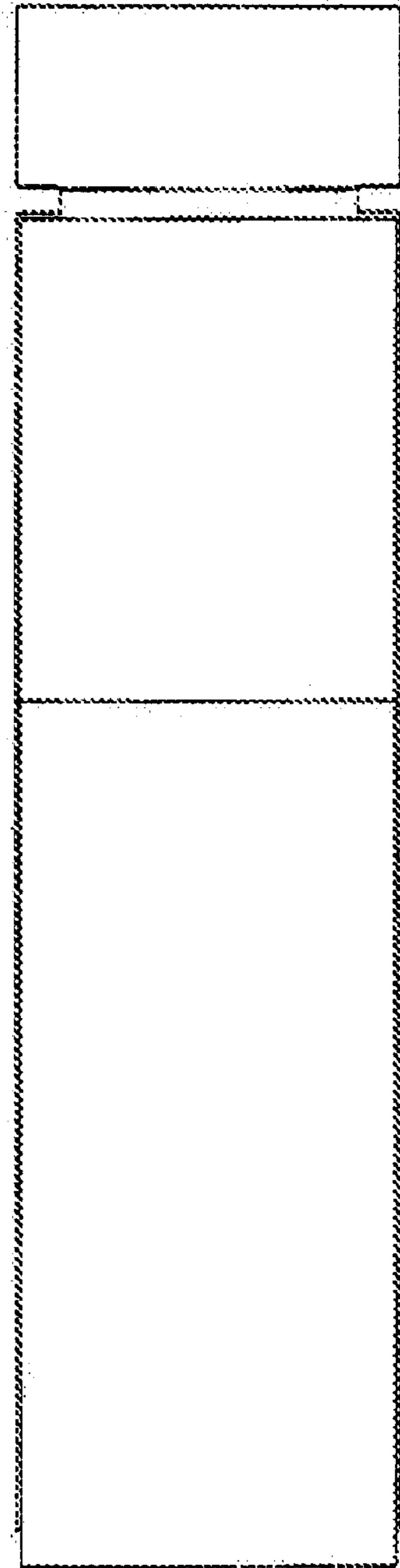


FIG. 4

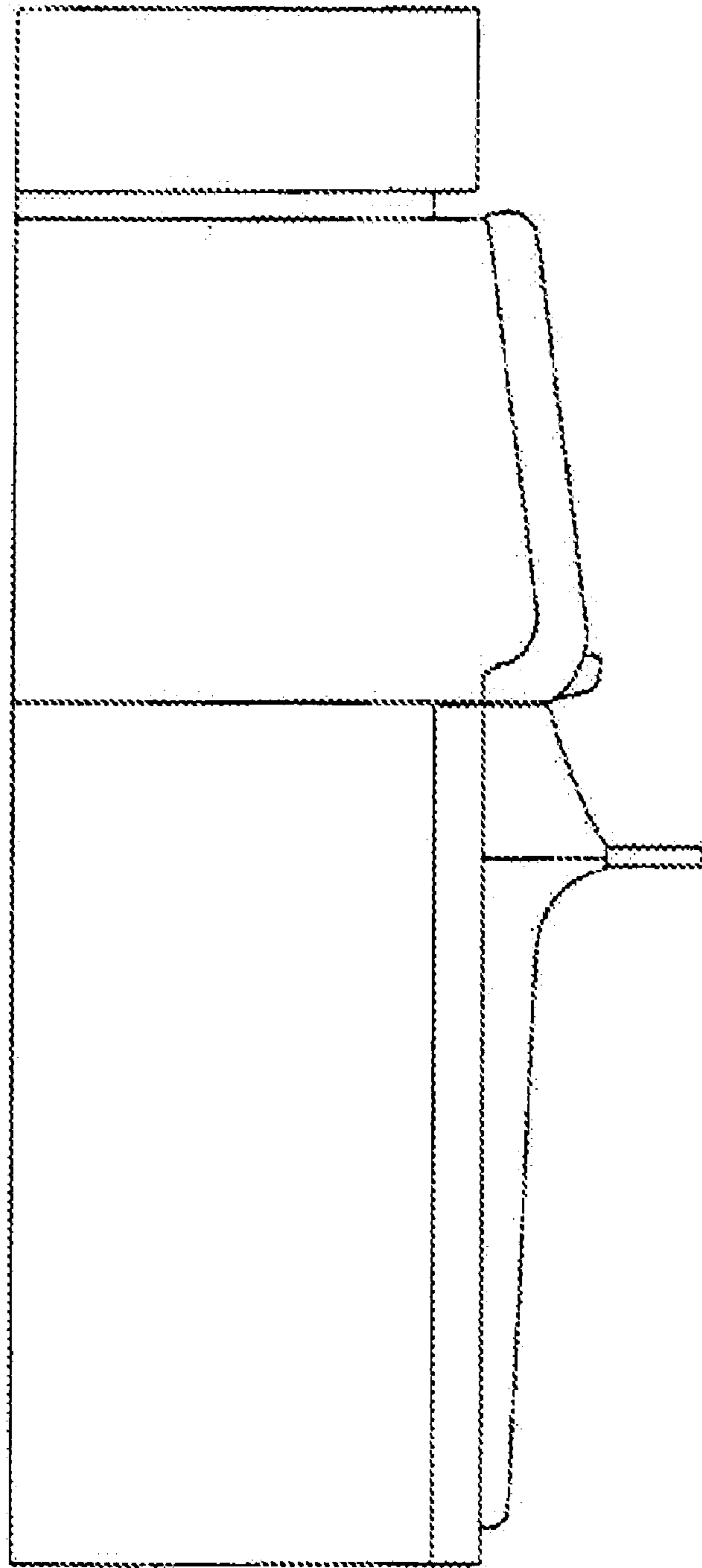


FIG. 5

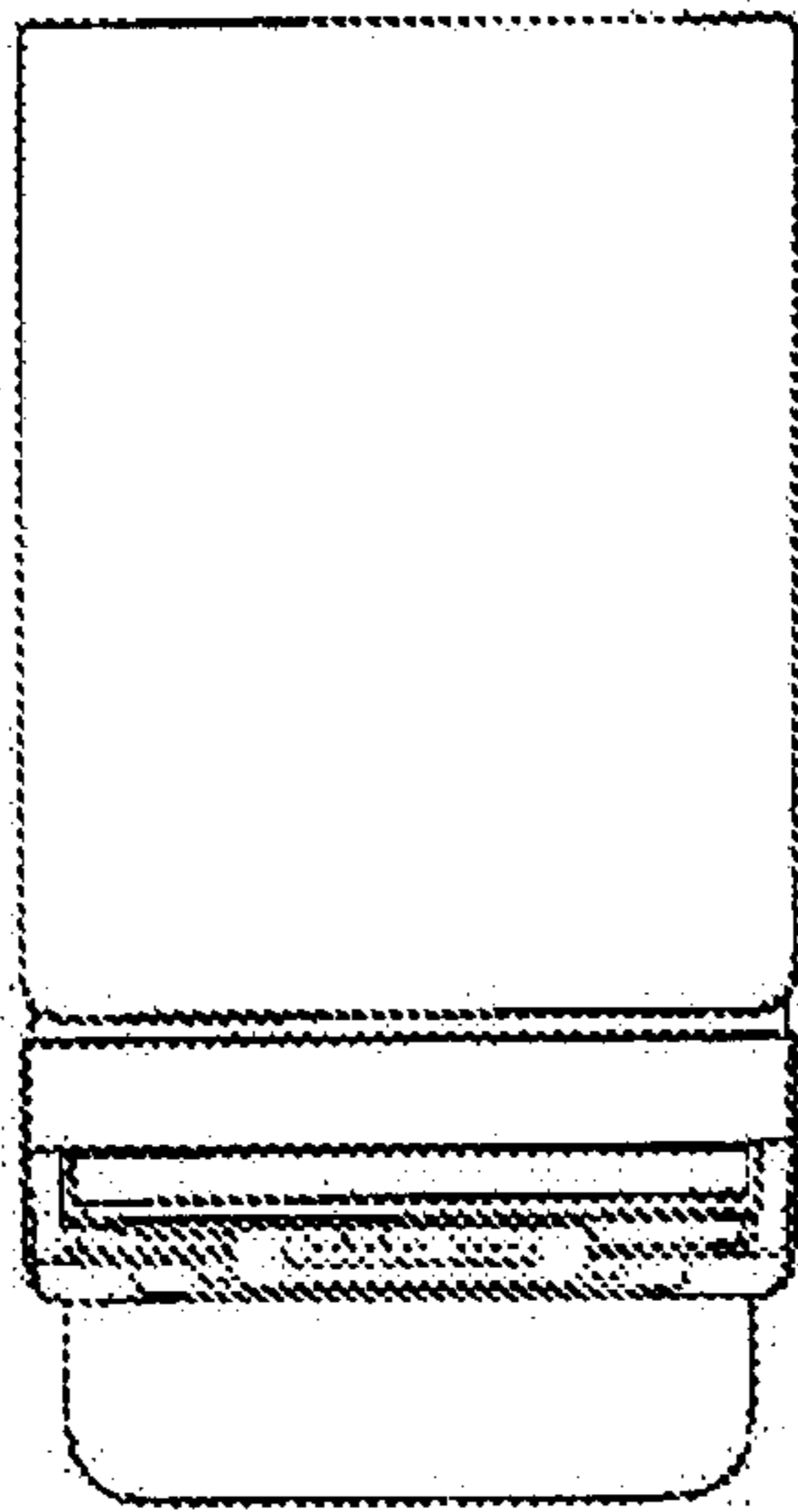


FIG. 6

