

US00D540000S

(12) **United States Design Patent**  
**Mandel**

(10) **Patent No.:** **US D540,000 S**

(45) **Date of Patent:** **\*\* Apr. 3, 2007**

(54) **ROBOTIC CANISTER**

(75) Inventor: **Logan Flash Mandel**, Los Angeles, CA (US)

(73) Assignee: **GMPC, LLC**, Santa Monica, CA (US)

(\*\*) Term: **14 Years**

(21) Appl. No.: **29/244,760**

(22) Filed: **Dec. 13, 2005**

(51) **LOC (8) Cl.** ..... **09-09**

(52) **U.S. Cl.** ..... **D34/7**

(58) **Field of Classification Search** ..... D34/1,  
D34/7, 9, 10, 11; 220/908, 908.1, 262-264

See application file for complete search history.

(56) **References Cited**

**U.S. PATENT DOCUMENTS**

1,733,243	A	*	10/1929	Sexton	.....	220/640
2,789,723	A	*	4/1957	Perez	.....	220/561
D218,636	S	*	9/1970	Mangold et al.	.....	D34/7
5,174,462	A	*	12/1992	Hames	.....	220/87.1
D355,060	S	*	1/1995	Bernstein et al.	.....	D32/37
D442,330	S	*	5/2001	Cousins	.....	D27/173
D465,629	S	*	11/2002	Lin	.....	D34/7

D489,853	S	*	5/2004	Verbeek et al.	.....	D34/7
D490,199	S	*	5/2004	Daams et al.	.....	D34/7
D517,761	S	*	3/2006	Yang et al.	.....	D34/7
7,086,569	B2	*	8/2006	Stravitz	.....	222/157
D529,677	S	*	10/2006	Lin	.....	D34/7
D530,475	S	*	10/2006	Lin	.....	D34/7

\* cited by examiner

*Primary Examiner*—Cynthia E. Ramirez

(74) *Attorney, Agent, or Firm*—Christie, Parker & Hale, LLP.

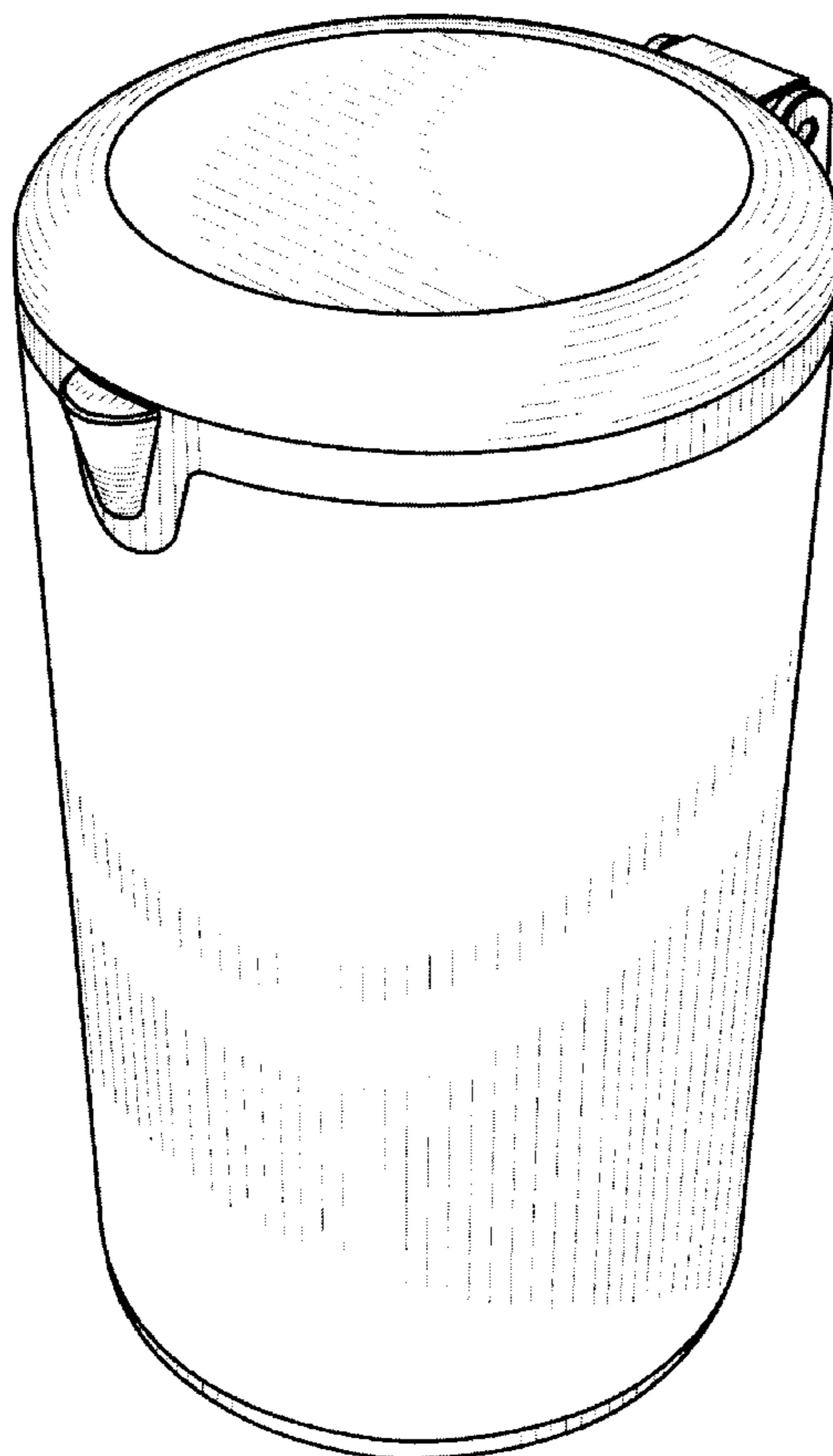
(57) **CLAIM**

The ornamental design for a robotic canister, as shown and described.

**DESCRIPTION**

FIG. 1 is a front view of a robotic canister showing my new design with its lid in a closed position;  
FIG. 2 is a rear view thereof;  
FIG. 3 is a right side view thereof;  
FIG. 4 is a left side view thereof;  
FIG. 5 is a top plan view thereof;  
FIG. 6 is a bottom plan view thereof;  
FIG. 7 is a front top perspective view thereof; and,  
FIG. 8 is a rear top perspective view thereof.

**1 Claim, 4 Drawing Sheets**



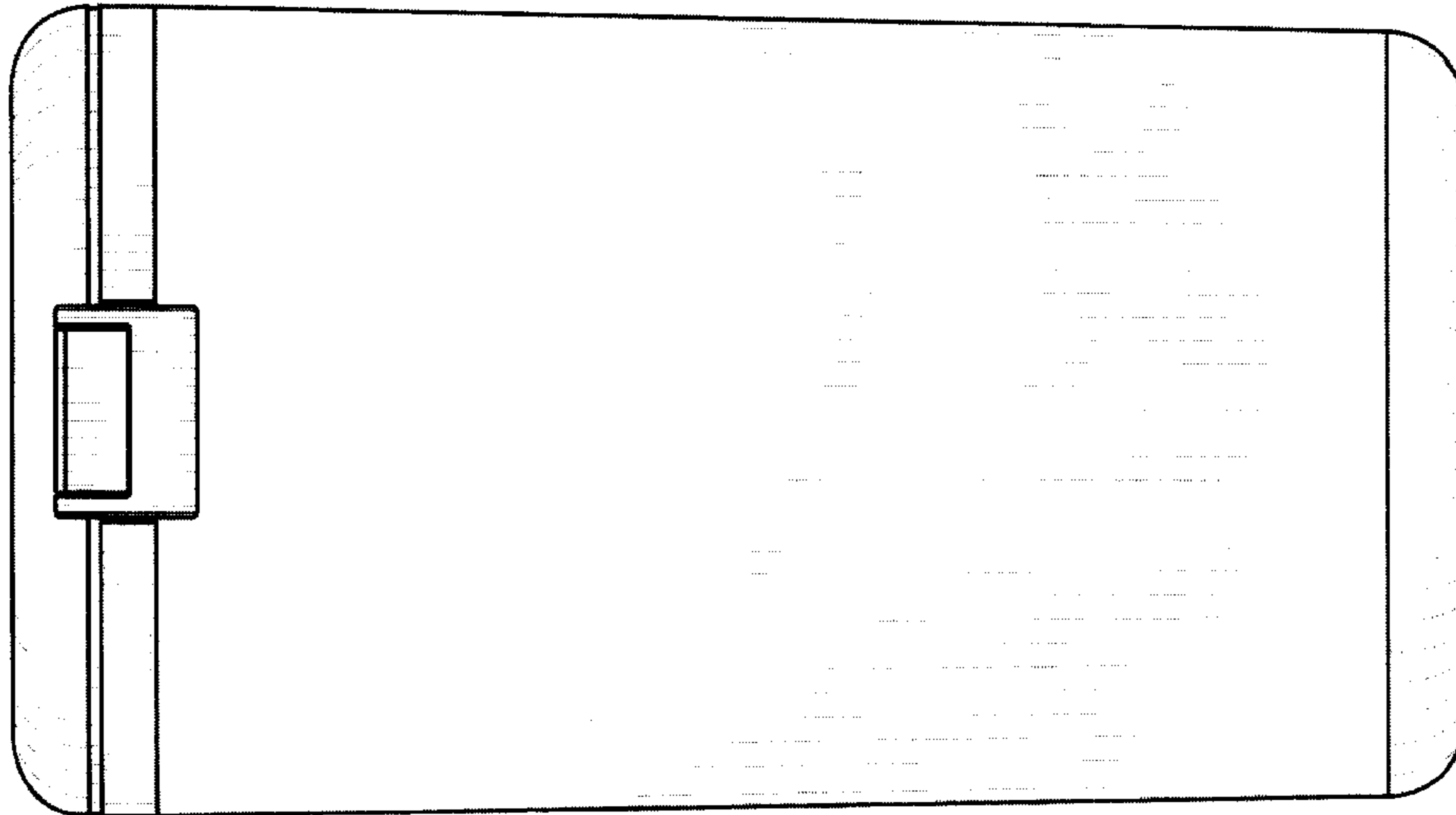


FIG-2

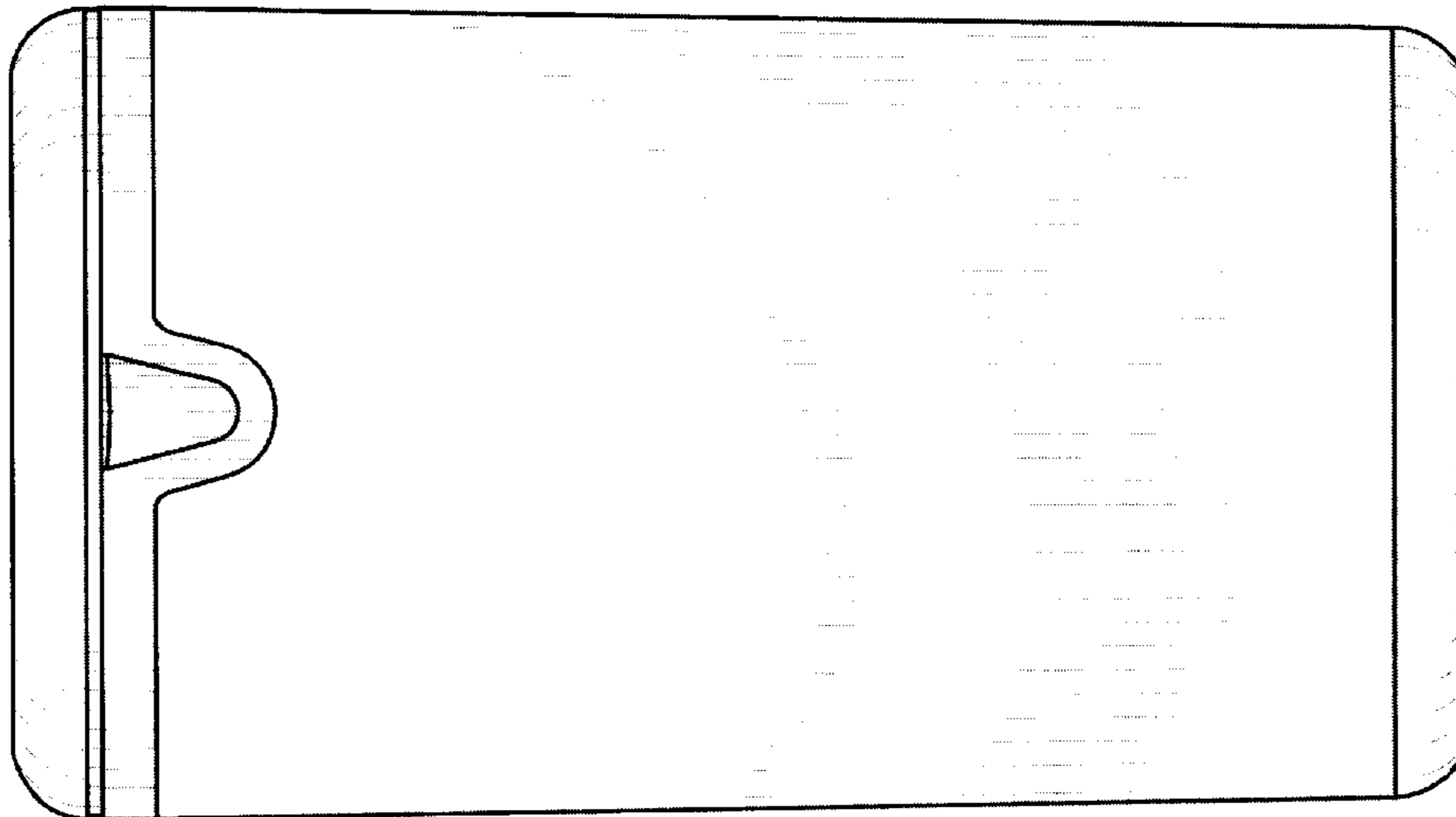


FIG-1

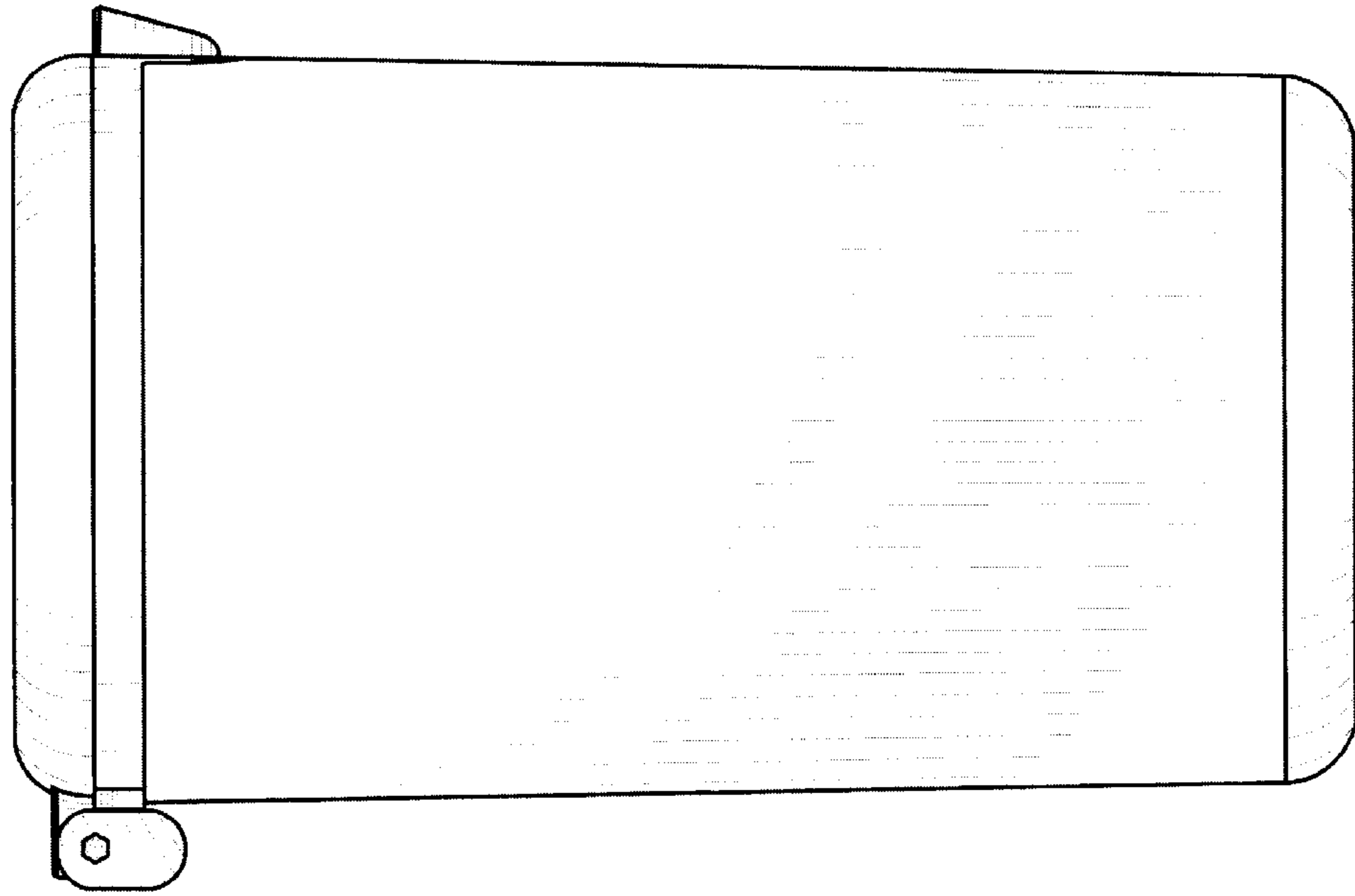


FIG-4



FIG-3

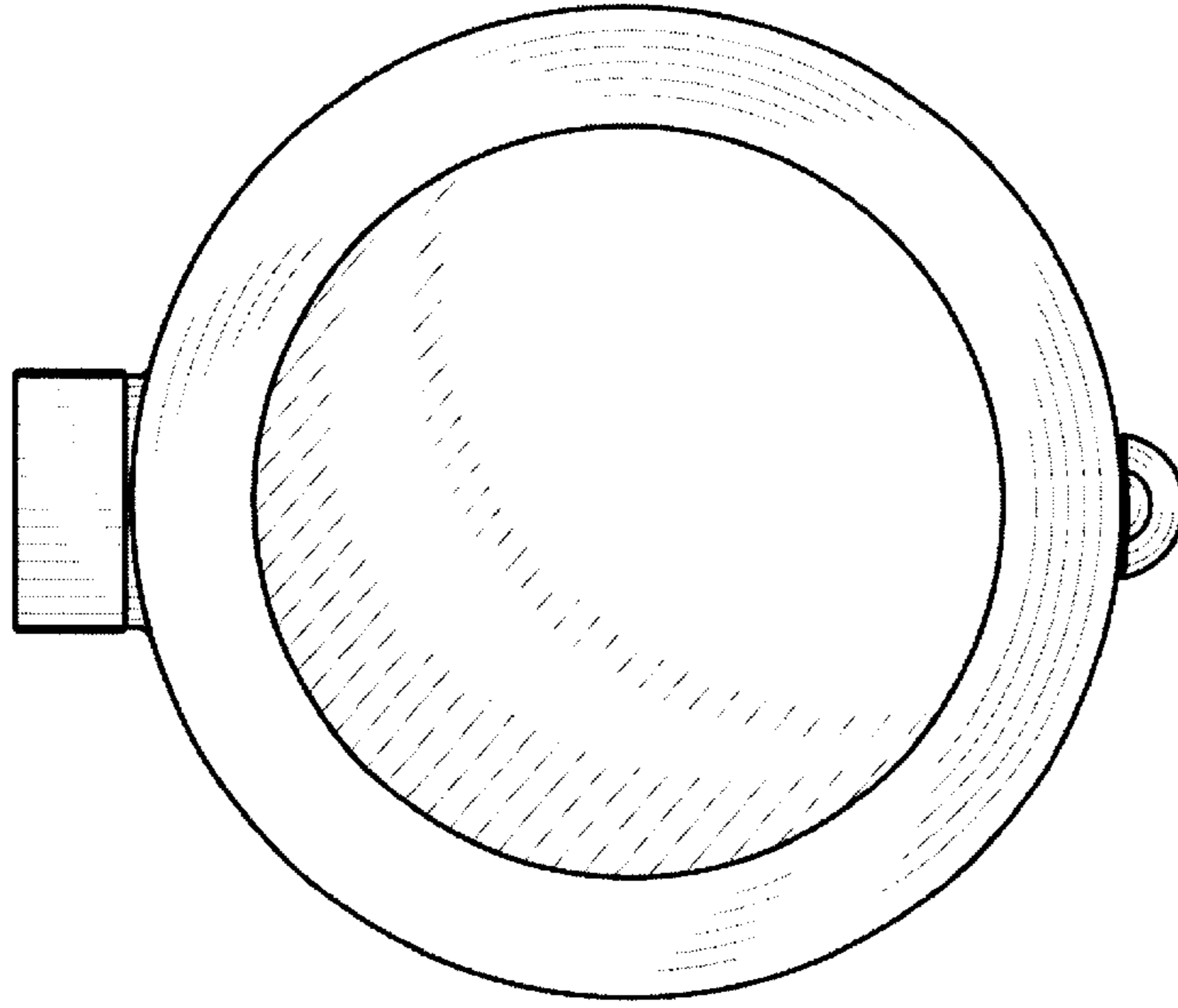


FIG-6

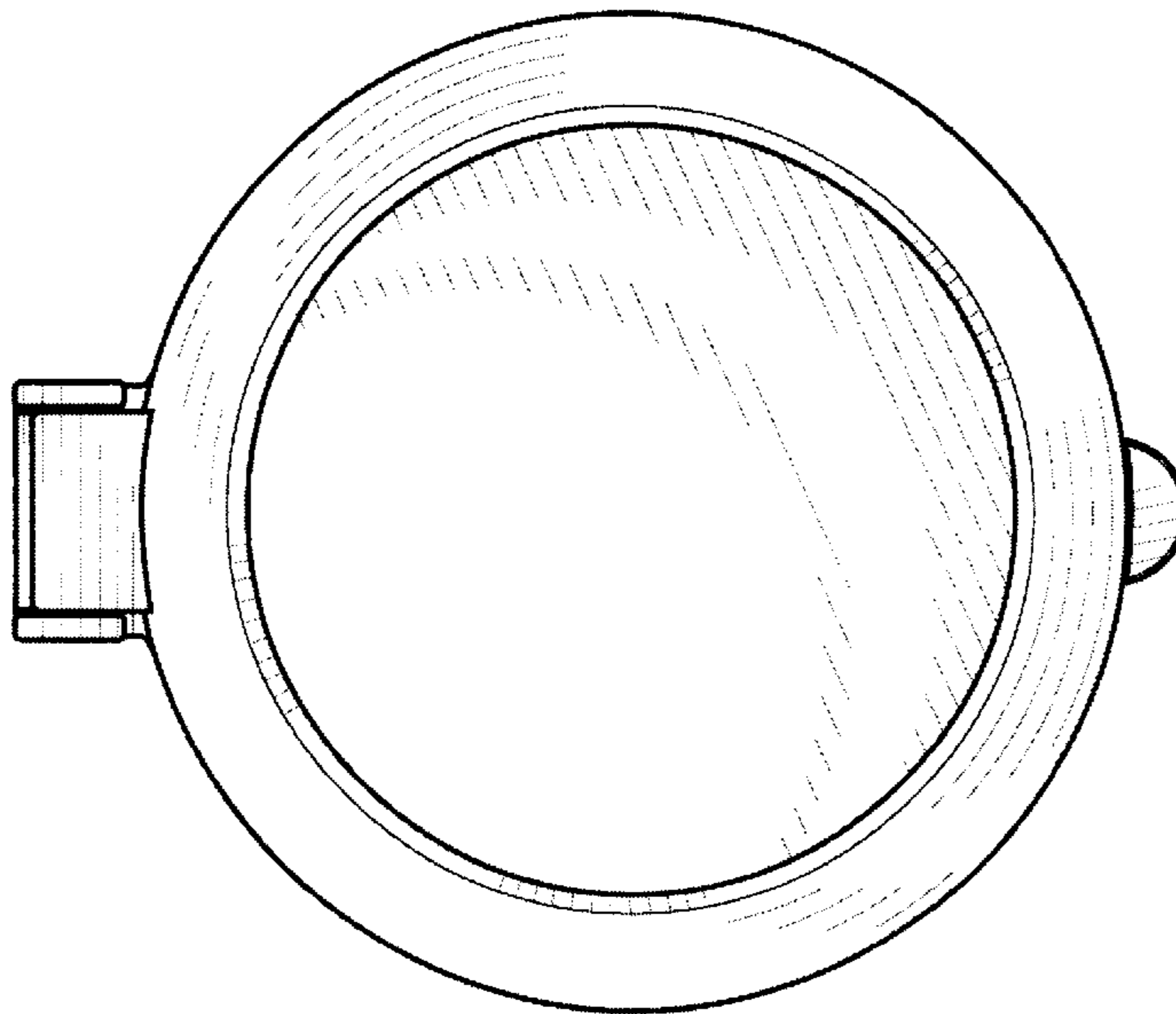


FIG-5

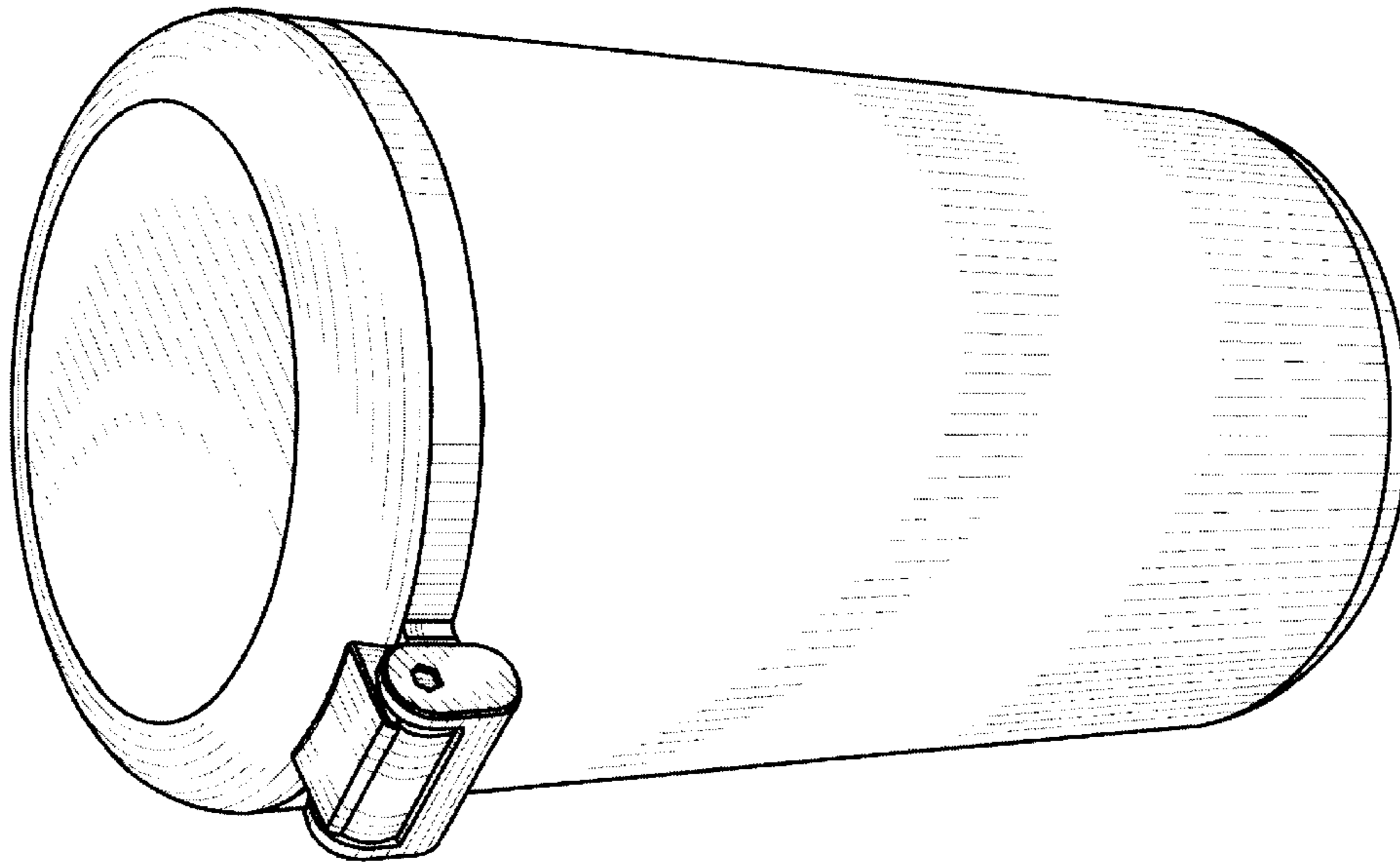


FIG-8

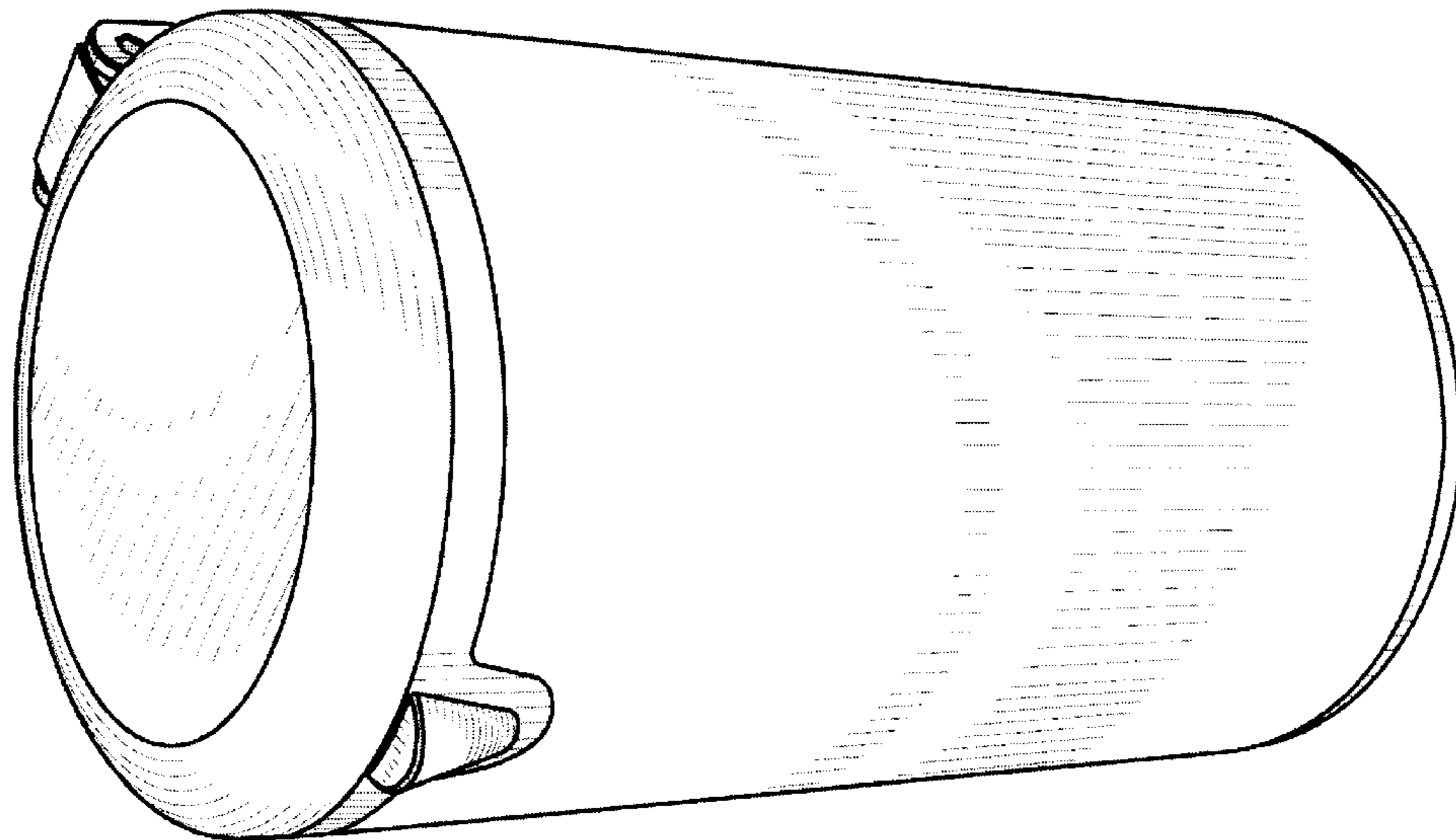


FIG-7