



US00D539994S

(12) **United States Design Patent**
Pezzetta et al.

(10) **Patent No.:** **US D539,994 S**

(45) **Date of Patent:** **** Apr. 3, 2007**

(54) **DISHWASHER DOOR**

(75) Inventors: **Roberto Pezzetta**, Porcia (IT); **Robert H. Martin**, Anderson, SC (US); **Kent Allen Stephen Crookshanks**, Anderson, SC (US); **Victor Cascianelli**, Anderson, SC (US)

(73) Assignee: **Electrolux Home Products, Inc.**, Cleveland, OH (US)

(**) Term: **14 Years**

(21) Appl. No.: **29/246,051**

(22) Filed: **Jan. 10, 2006**

(51) **LOC (8) Cl.** **15-05**

(52) **U.S. Cl.** **D32/3**

(58) **Field of Classification Search** D32/2,
D32/3, 28, 5, 6, 8, 25, 30; D7/348-349, 405-406;
134/58 DC, 113, 135, 200, 201; 312/32,
312/108, 109; D15/81, 85, 89, 91, 199
See application file for complete search history.

(56) **References Cited**

U.S. PATENT DOCUMENTS

D405,311 S * 2/1999 Holbrook, Jr. D7/340
D495,102 S * 8/2004 Kaczmarek D32/3

D495,556 S * 9/2004 Milrud et al. D7/405
D511,870 S * 11/2005 Paik D32/2
D512,543 S * 12/2005 Jeong D32/2
D512,544 S * 12/2005 Jeong et al. D32/3
D513,548 S * 1/2006 Jeong D32/2
D515,255 S * 2/2006 Jeong D32/3

* cited by examiner

Primary Examiner—Louis S. Zarfaz

Assistant Examiner—Kathleen Sims

(74) *Attorney, Agent, or Firm*—Banner & Witcoff, Ltd.

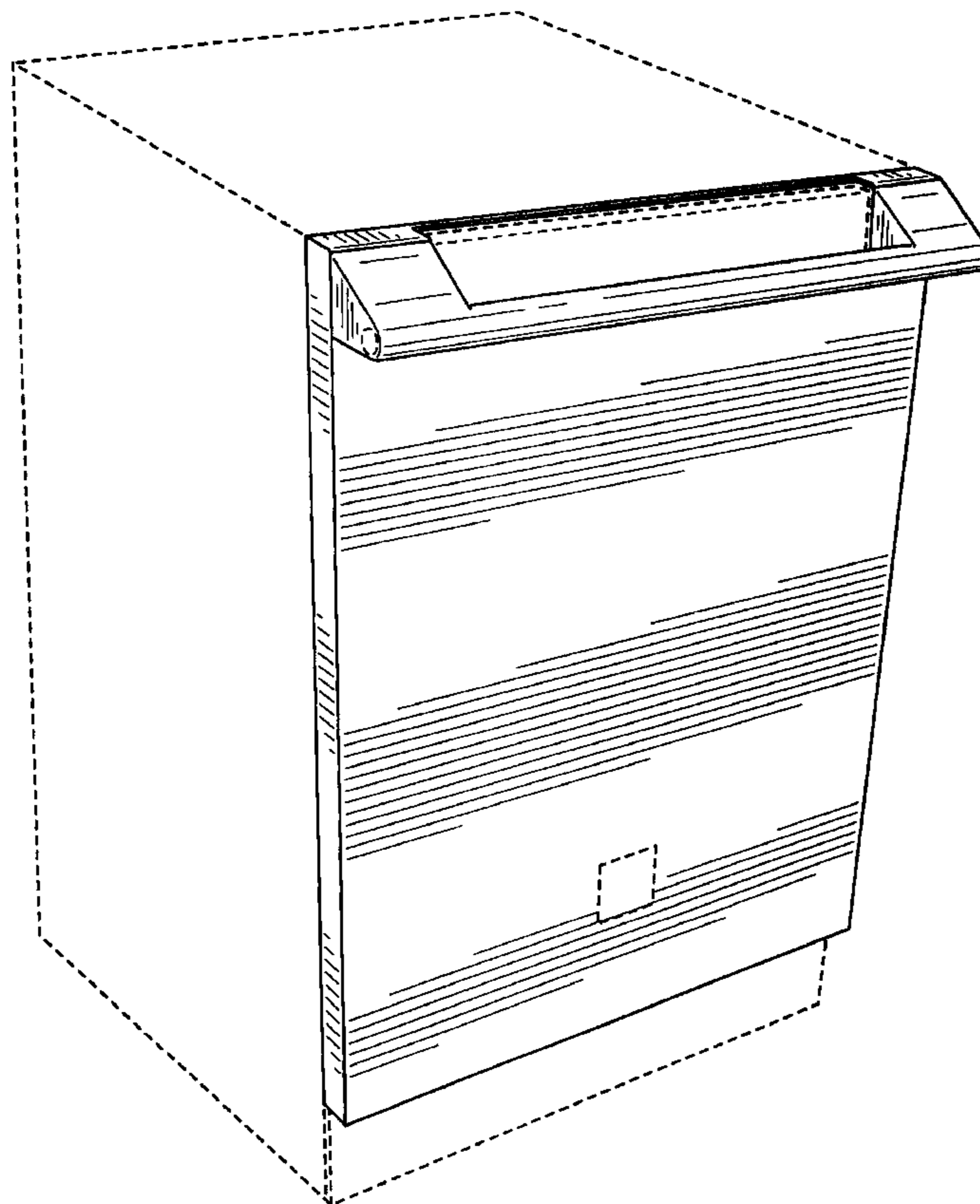
(57) **CLAIM**

The ornamental design for a dishwasher door, as shown and described.

DESCRIPTION

FIG. 1 is a front perspective view of a dishwasher door showing our new design;
FIG. 2 is a front view thereof;
FIG. 3 is a right side view thereof;
FIG. 4 is a left side view thereof;
FIG. 5 is a top view thereof; and,
FIG. 6 is a bottom view thereof.
The broken line showing of various regions, including the unshaded areas therein, is for illustrative purposes and forms no part of the claimed design.

1 Claim, 5 Drawing Sheets



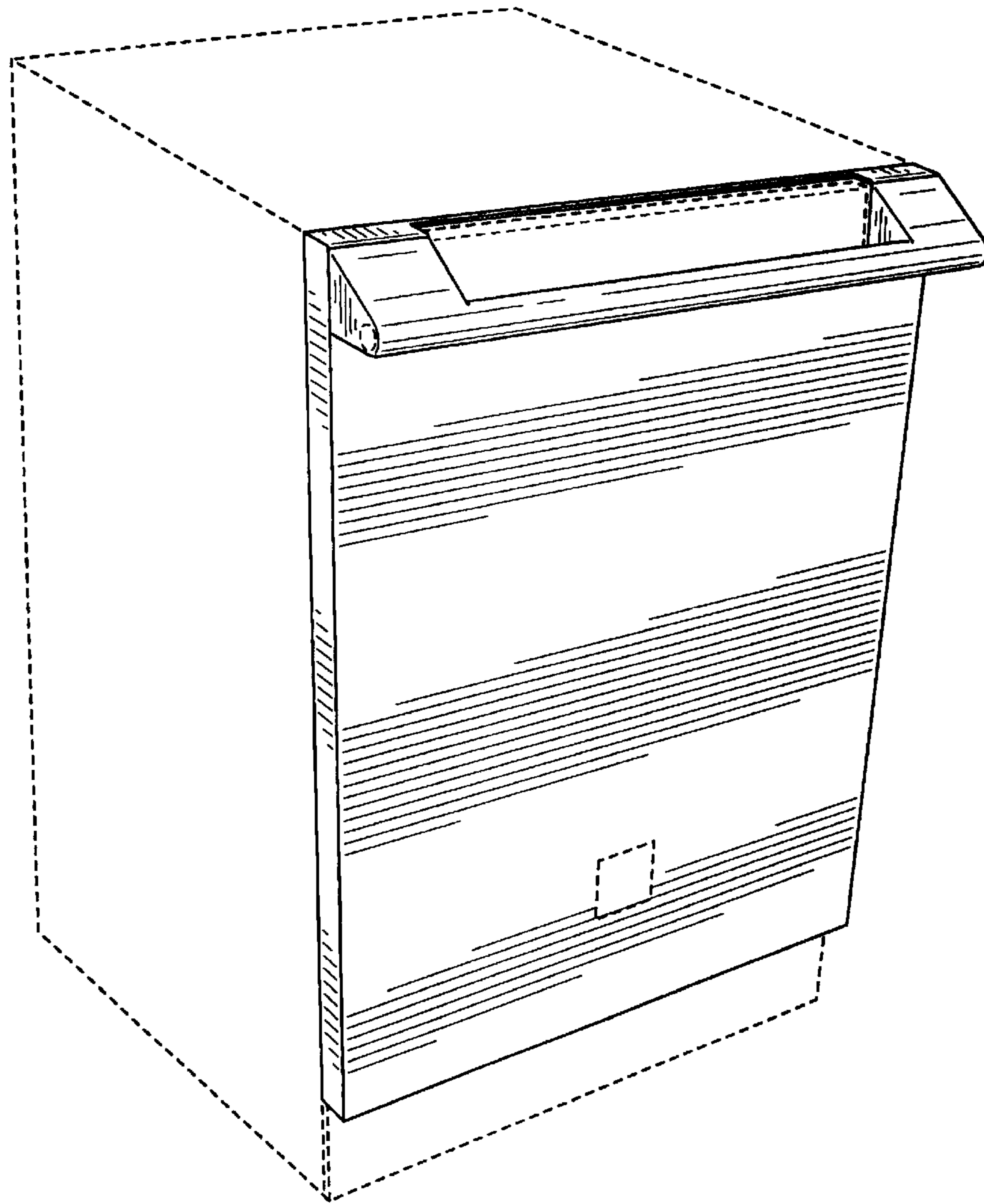


FIG. 1

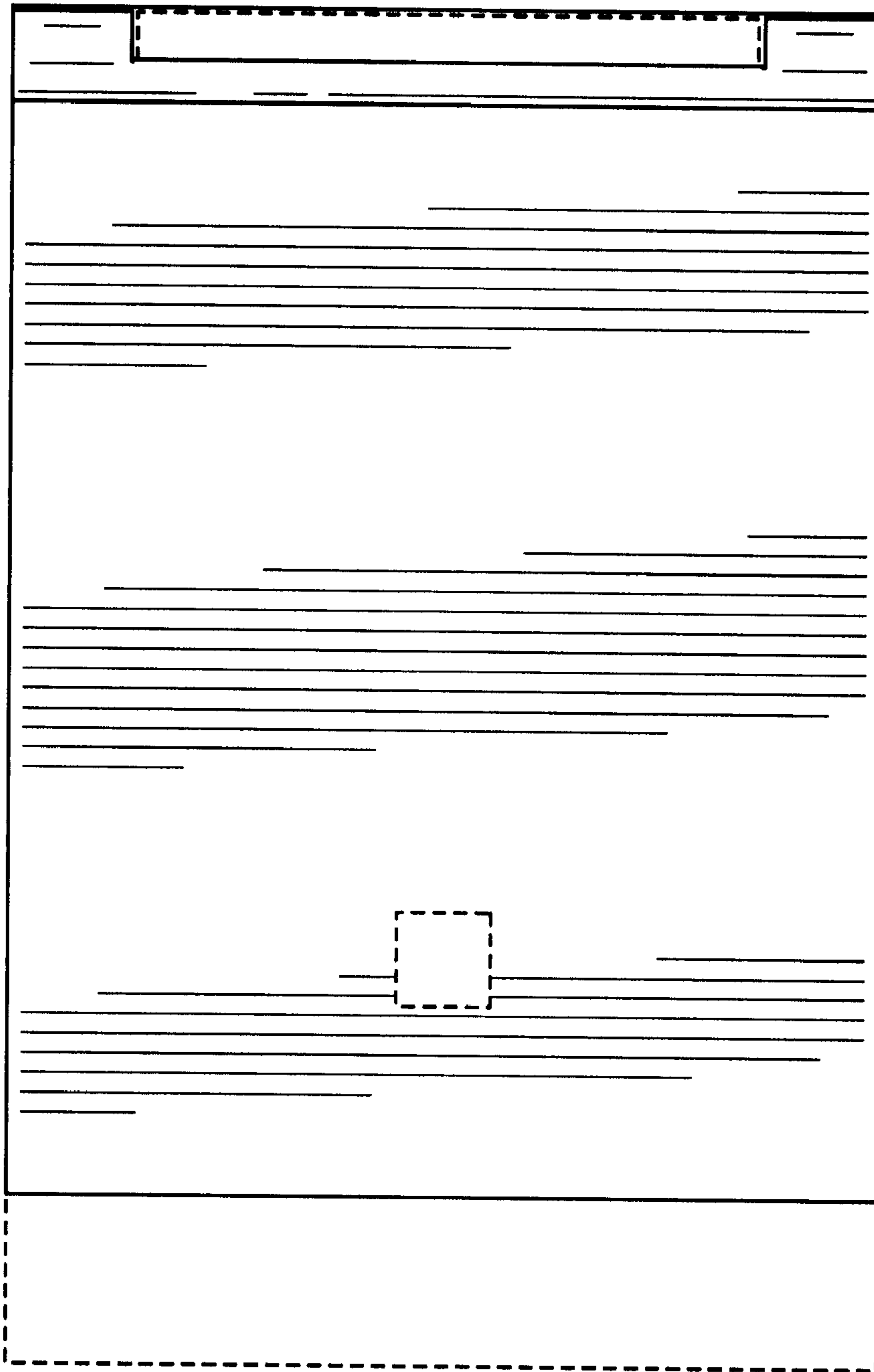


FIG. 2

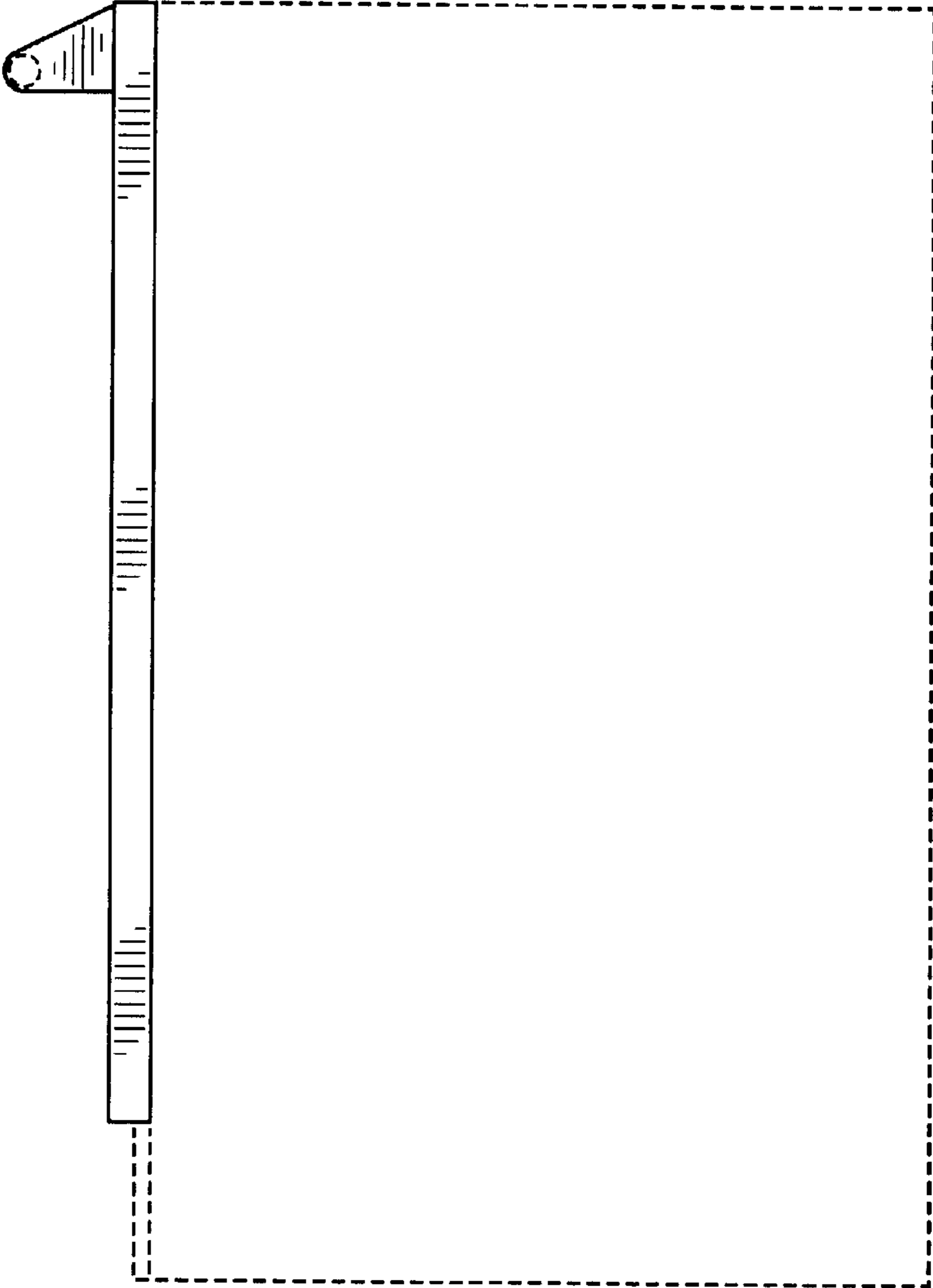


FIG. 3

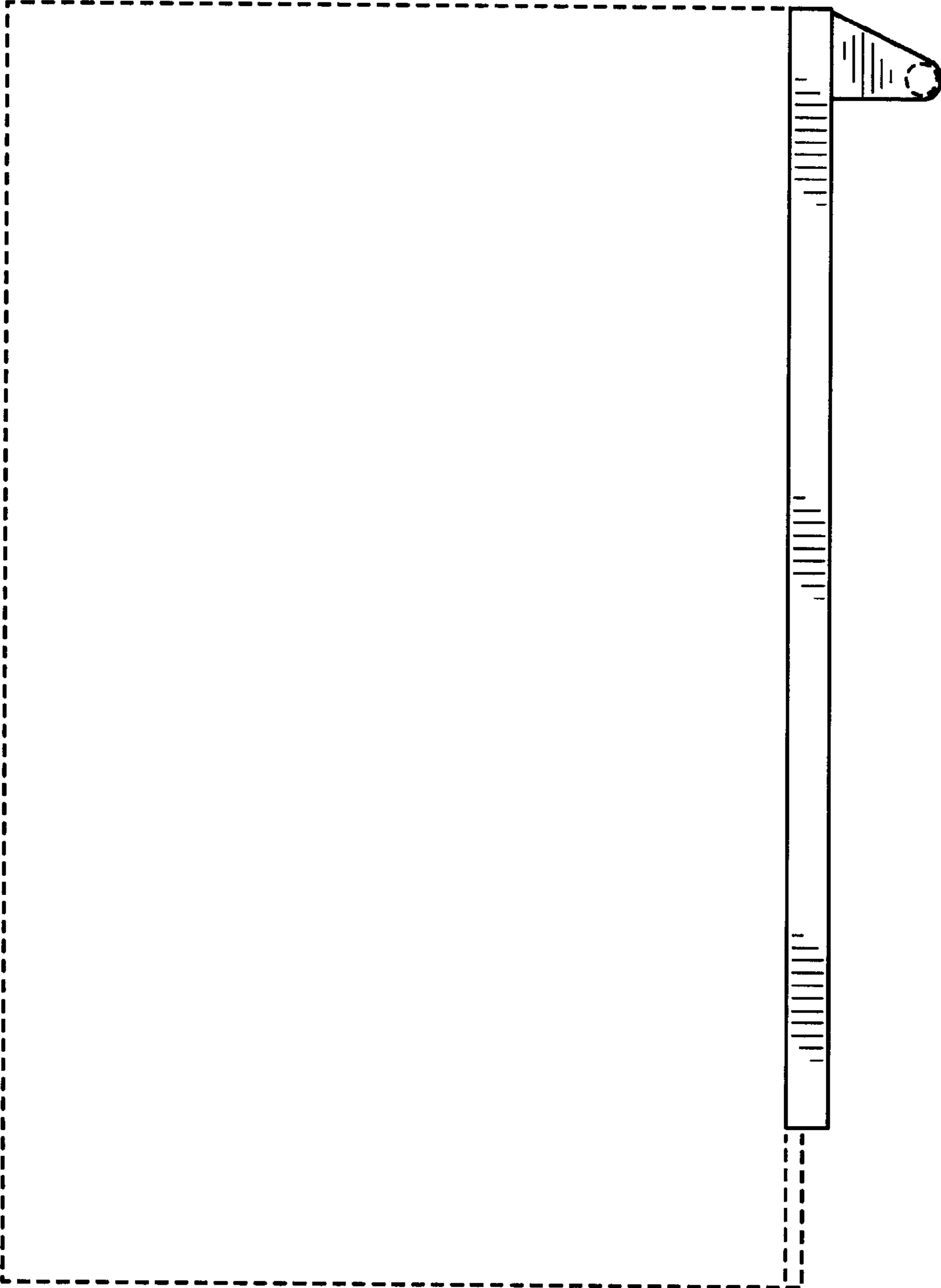


FIG. 4

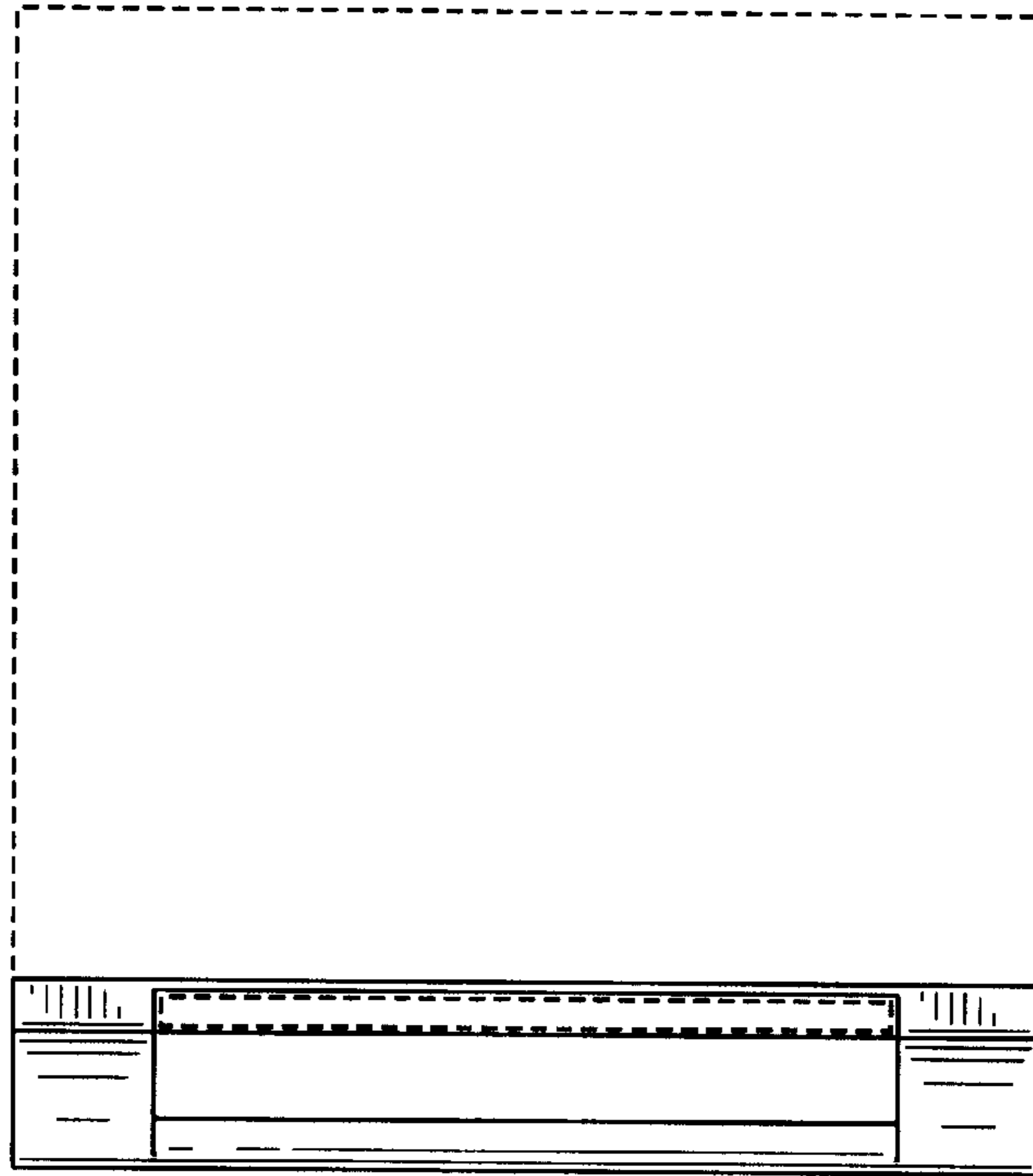


FIG. 5

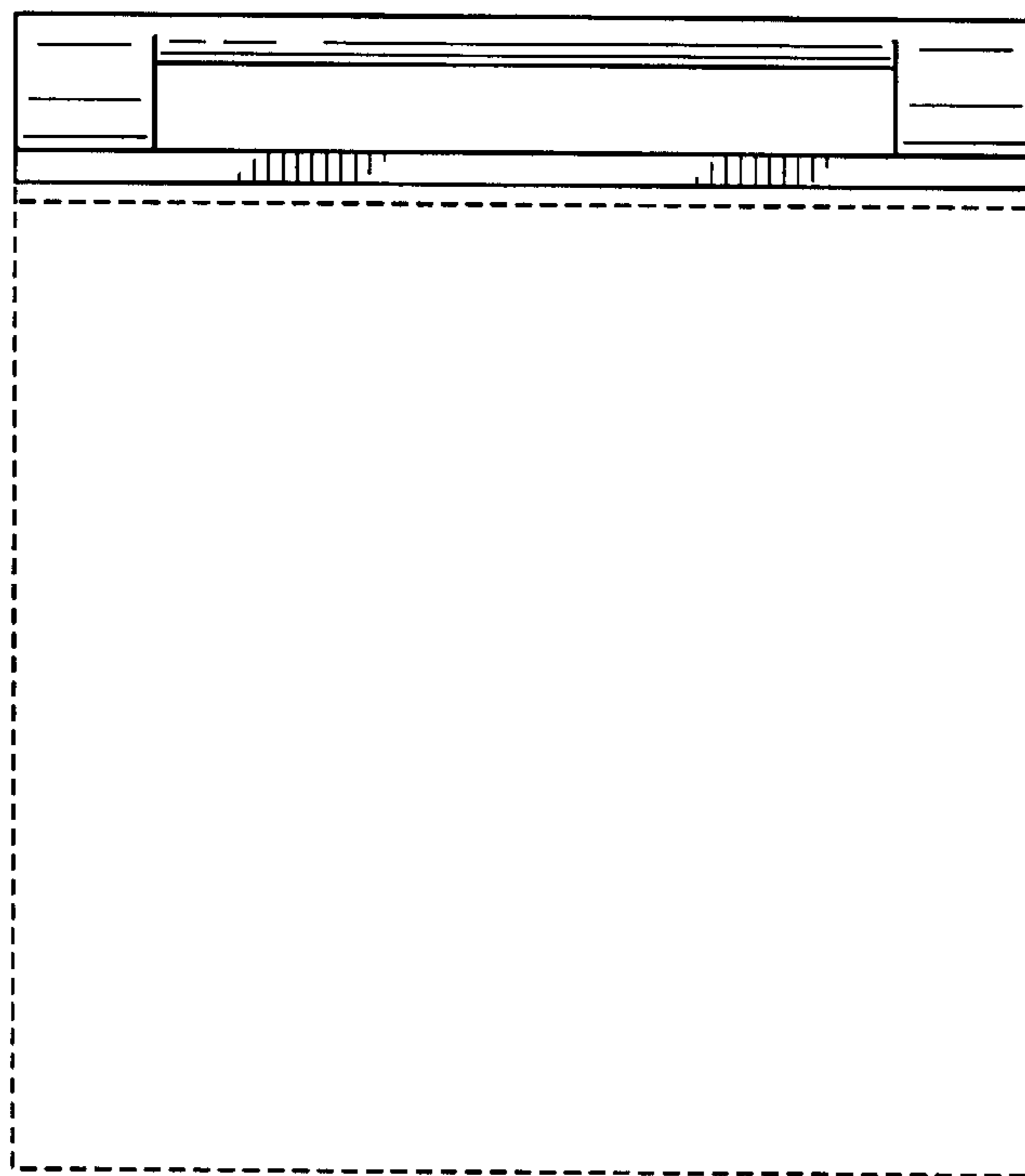


FIG. 6