



US00D539991S

(12) **United States Design Patent** (10) **Patent No.:** **US D539,991 S**
Petrie et al. (45) **Date of Patent:** **** Apr. 3, 2007**

(54) **BIRD FEEDER**

(75) Inventors: **Aidan Petrie**, Jamestown, RI (US);
Marco Wo, Providence, RI (US)

(73) Assignee: **Droll Yankees, Inc.**, Foster, RI (US)

(**) Term: **14 Years**

(21) Appl. No.: **29/233,150**

(22) Filed: **Jun. 29, 2005**

(51) **LOC (8) Cl.** **30-03**

(52) **U.S. Cl.** **D30/127**

(58) **Field of Classification Search** D30/121,
D30/124-128, 133; 119/51.01, 52.2-52.4,
119/57.8-57.9

See application file for complete search history.

(56) **References Cited**

U.S. PATENT DOCUMENTS

D193,558 S *	9/1962	Parry	D30/127
3,568,641 A *	3/1971	Kilham	119/57.8
D231,369 S *	4/1974	Kilham	D30/127
D251,021 S *	2/1979	Blasbalg	D30/127
D252,591 S *	8/1979	Hyde, Jr.	D30/127
4,259,927 A *	4/1981	Clarke	119/57.9
D262,917 S *	2/1982	Kilham	D30/127
4,996,947 A *	3/1991	Petrides	119/57.9
5,215,039 A *	6/1993	Bescherer	119/57.8
5,235,935 A *	8/1993	Edwards	119/57.8
D349,981 S *	8/1994	Fasino	D30/127
D367,134 S *	2/1996	Bescherer	D30/127
D385,067 S *	10/1997	Whittles	D30/124

* cited by examiner

Primary Examiner—M. H. Tung

Assistant Examiner—Susan Moon Lee

(74) *Attorney, Agent, or Firm*—Salter & Michaelson

(57) **CLAIM**

The ornamental design for a bird feeder, as shown and described.

DESCRIPTION

FIG. 1 is a perspective view of a first embodiment of a bird feeder, showing our new design;

FIG. 2 is a front elevational view of the first embodiment thereof, the rear elevational view being a mirror image thereof;

FIG. 3 is a right side elevational view of the first embodiment thereof, the left side elevational view being a mirror image thereof;

FIG. 4 is a top plan view of the first embodiment thereof;

FIG. 5 is a bottom plan view of the first embodiment thereof;

FIG. 6 is a perspective view of a second embodiment of a bird feeder, showing our new design;

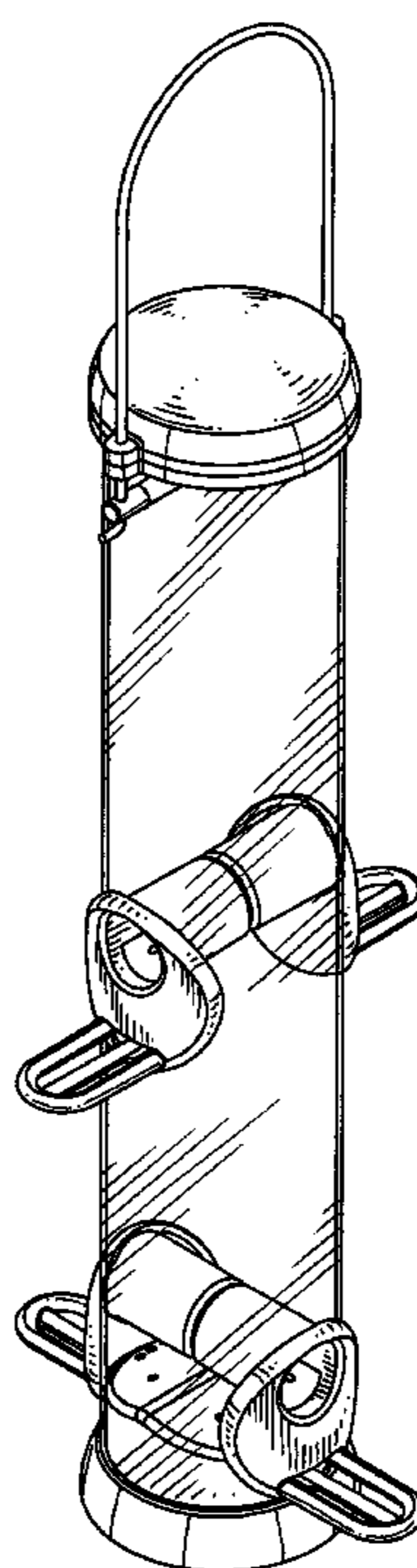
FIG. 7 is a front elevational view of the second embodiment thereof, the rear elevational view being a mirror image thereof;

FIG. 8 is a right side elevational view of the second embodiment thereof, the left side elevational view being a mirror image thereof;

FIG. 9 is a top plan view of the second embodiment thereof; and,

FIG. 10 is a bottom plan view of the second embodiment thereof.

1 Claim, 6 Drawing Sheets



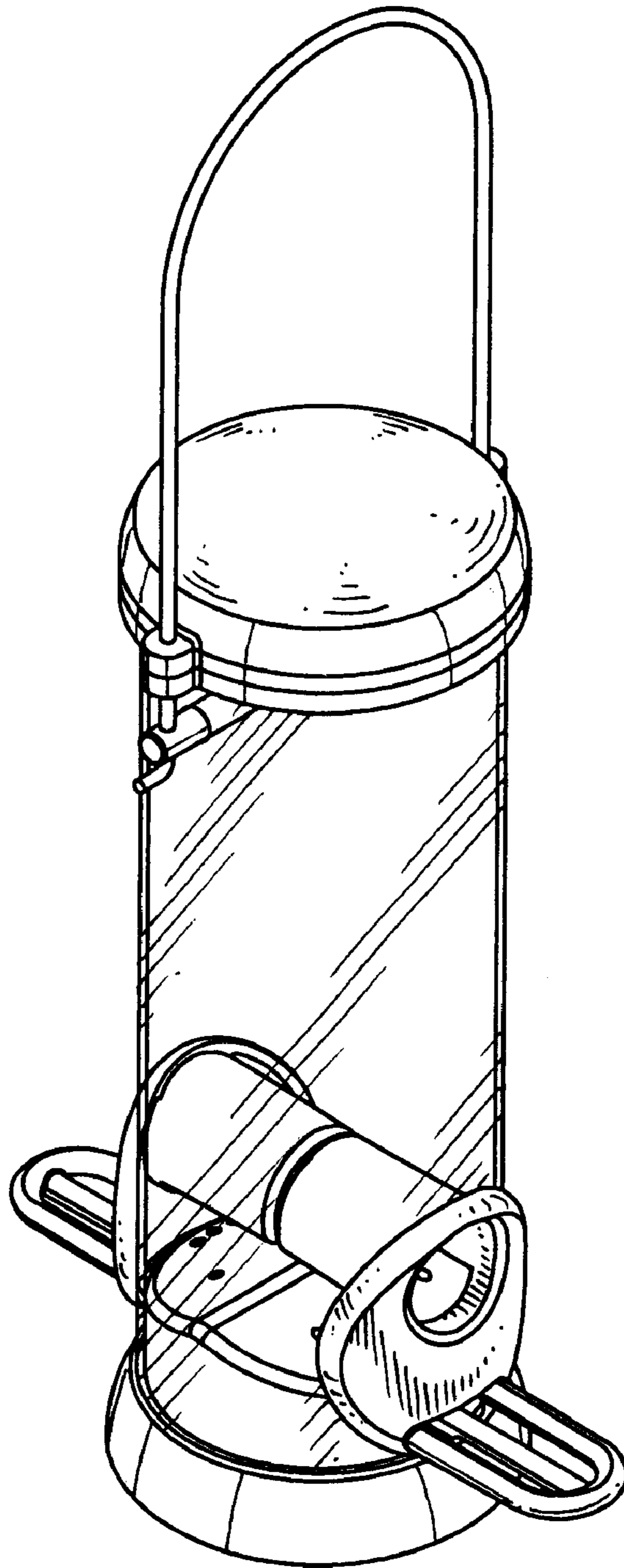


FIG. 1

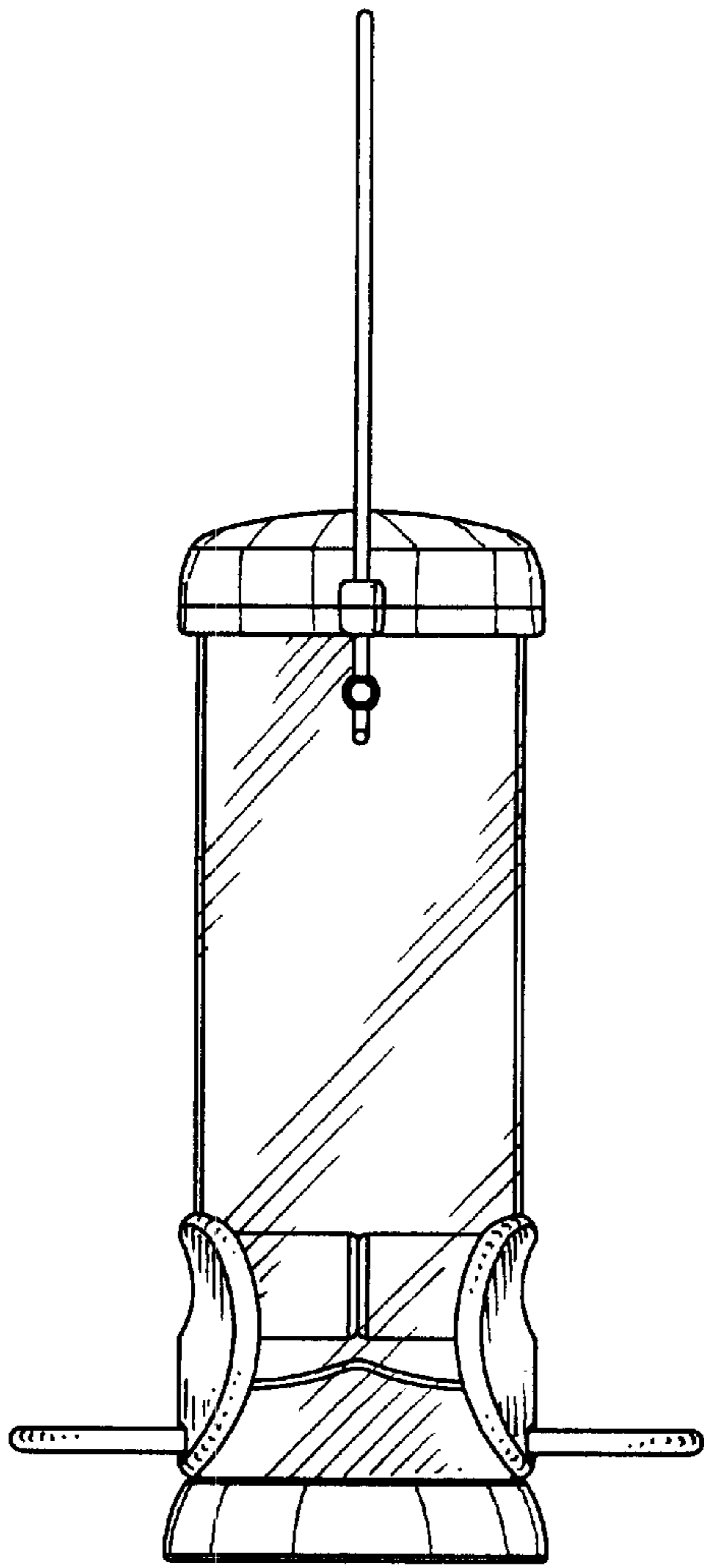


FIG. 2

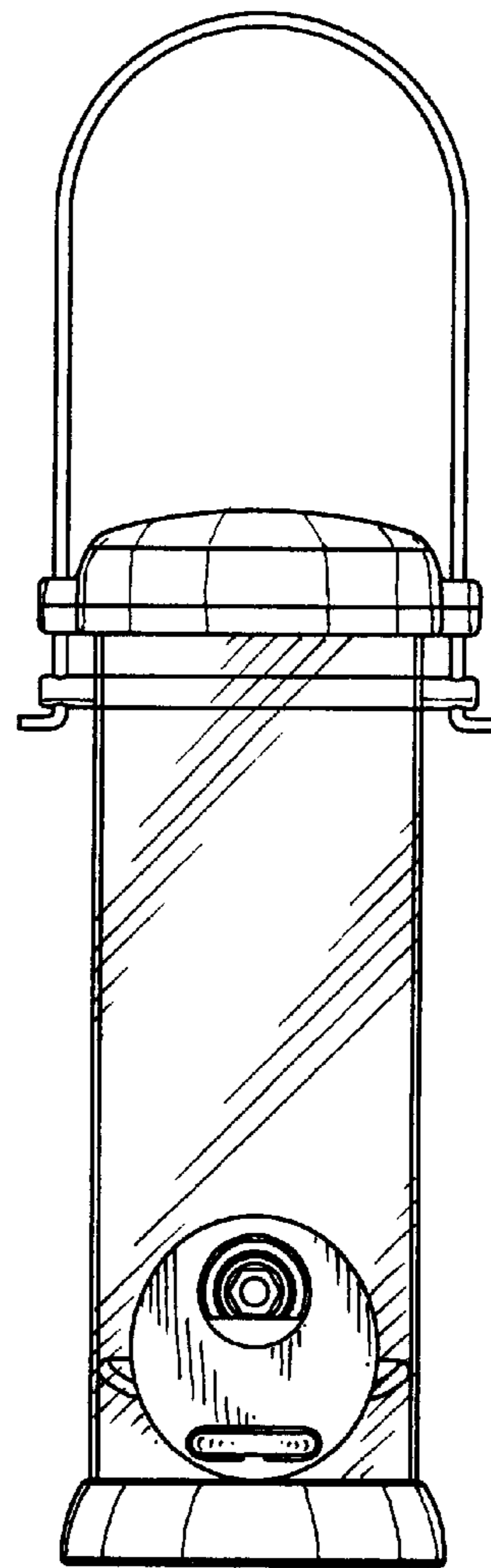


FIG. 3

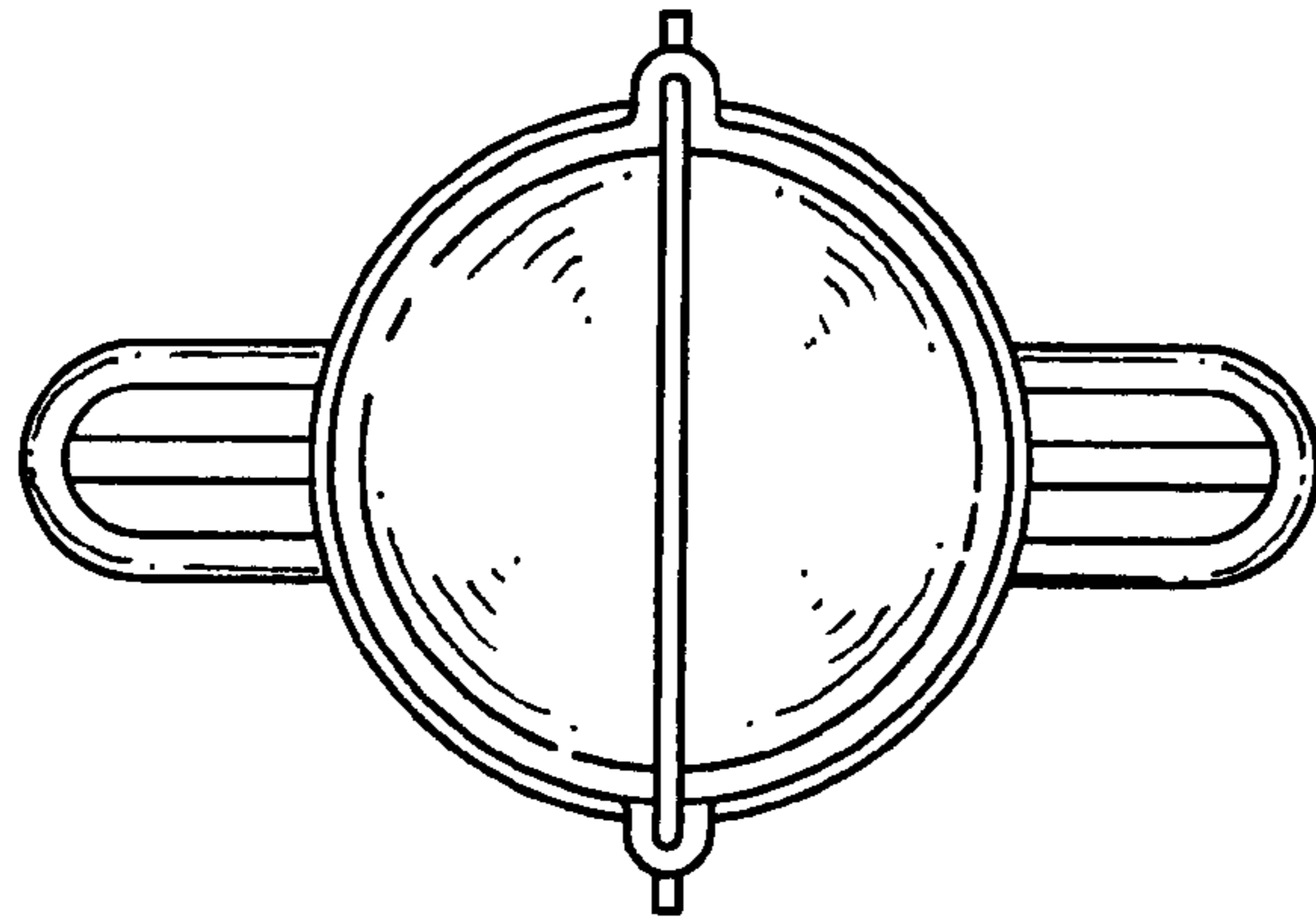


FIG. 4

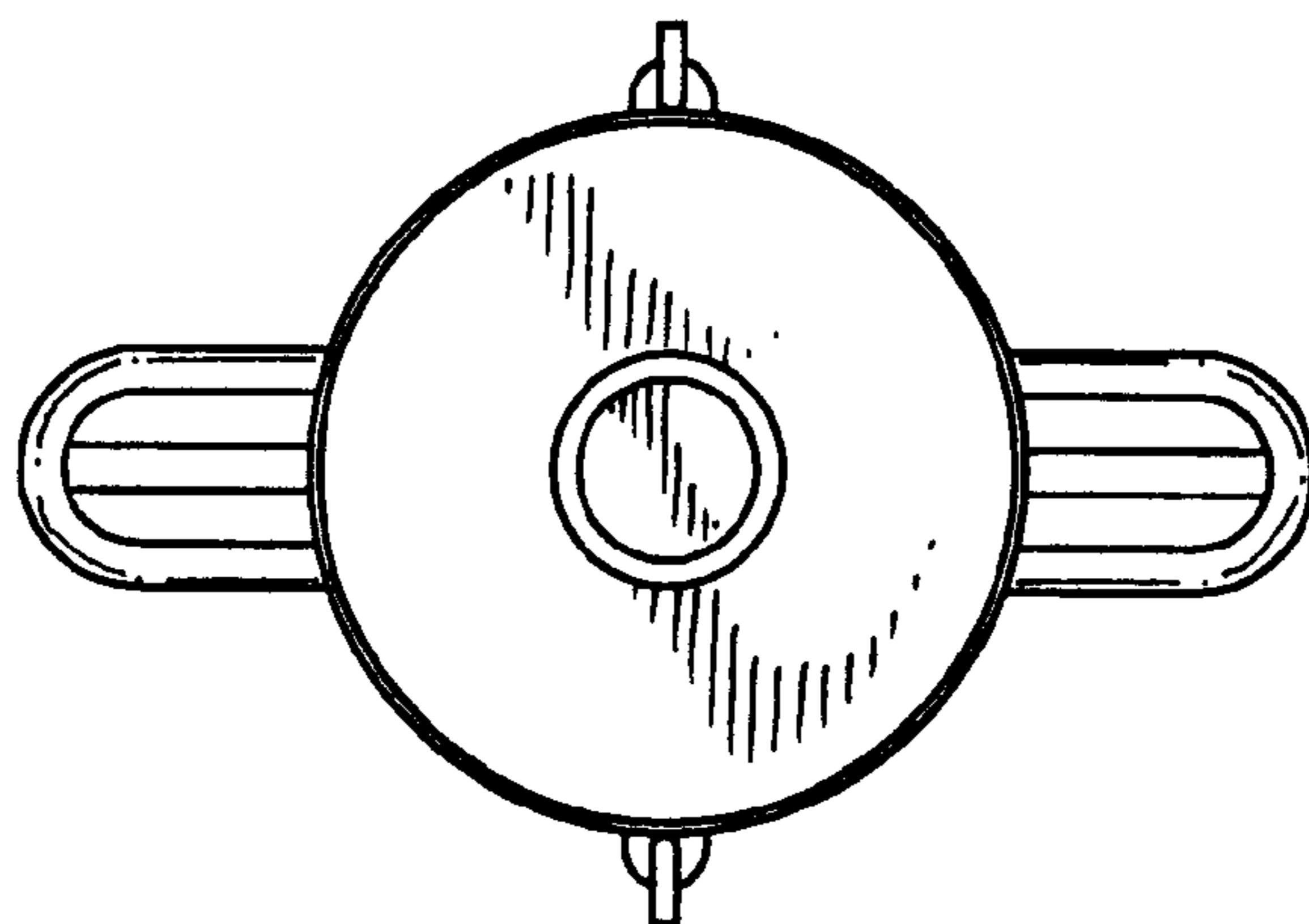


FIG. 5

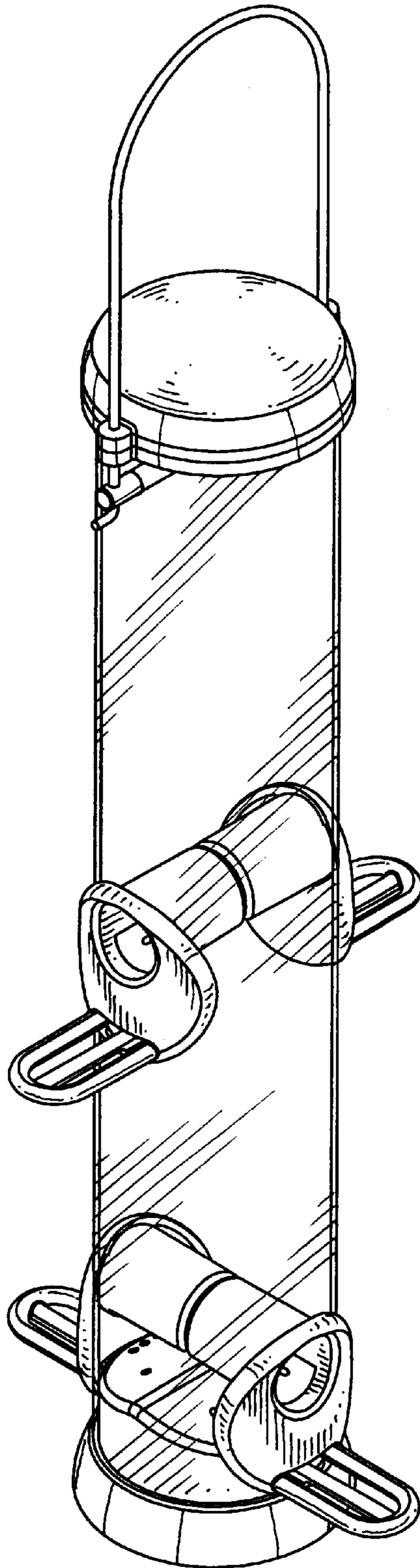


FIG. 6

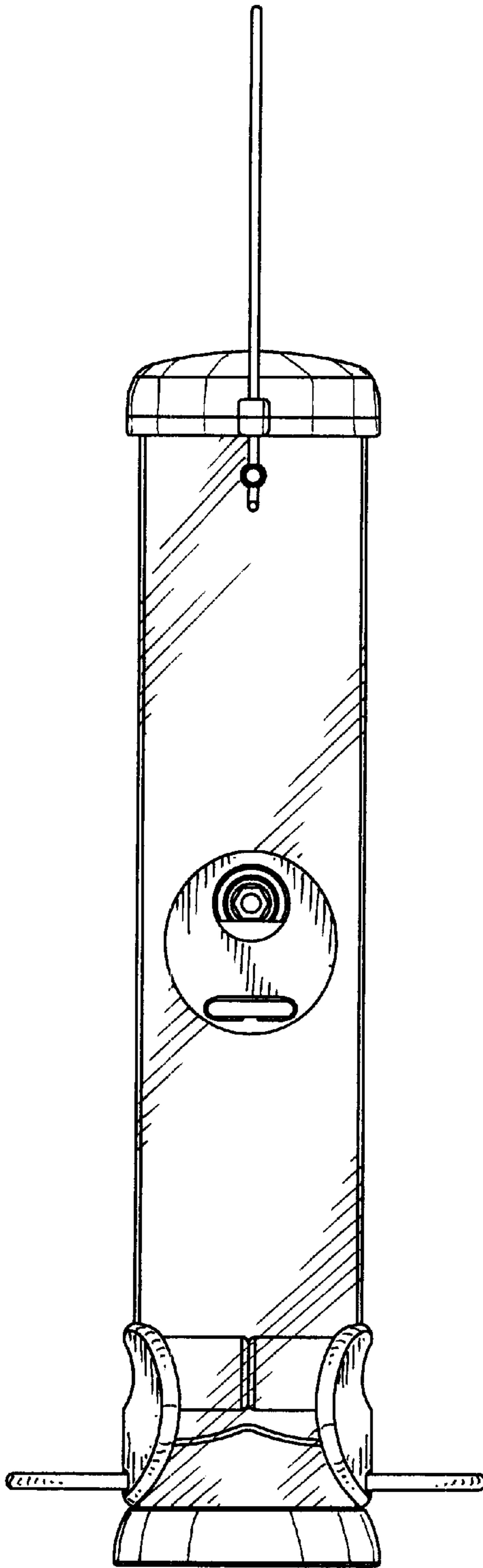


FIG. 7

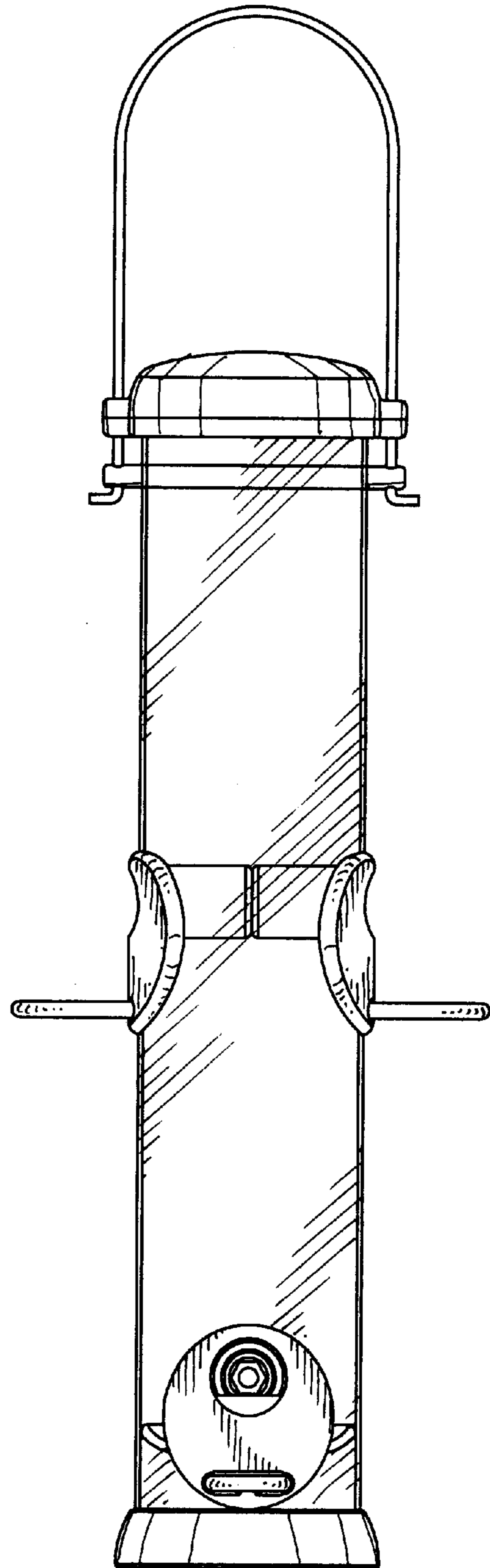


FIG. 8

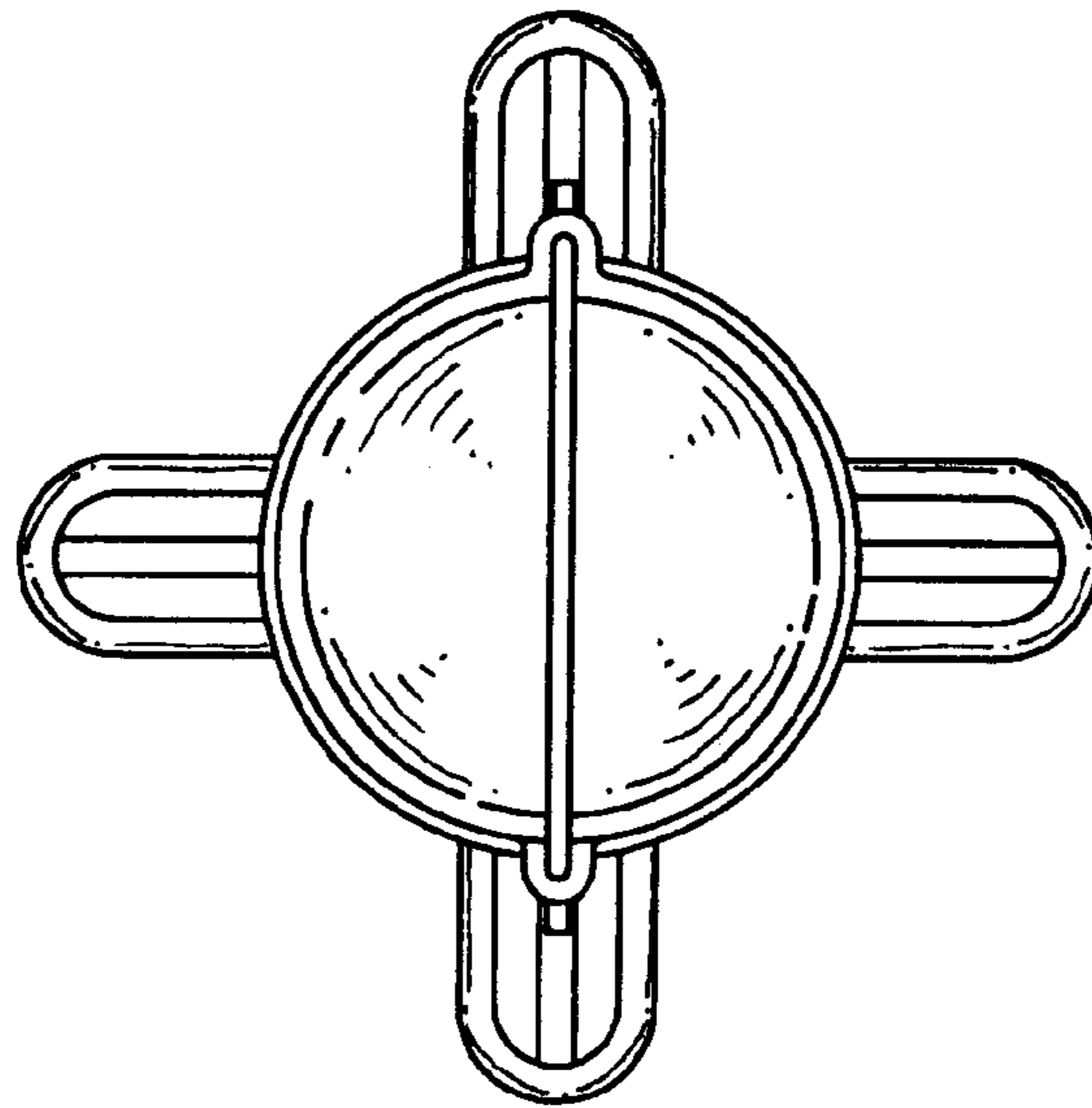


FIG. 9

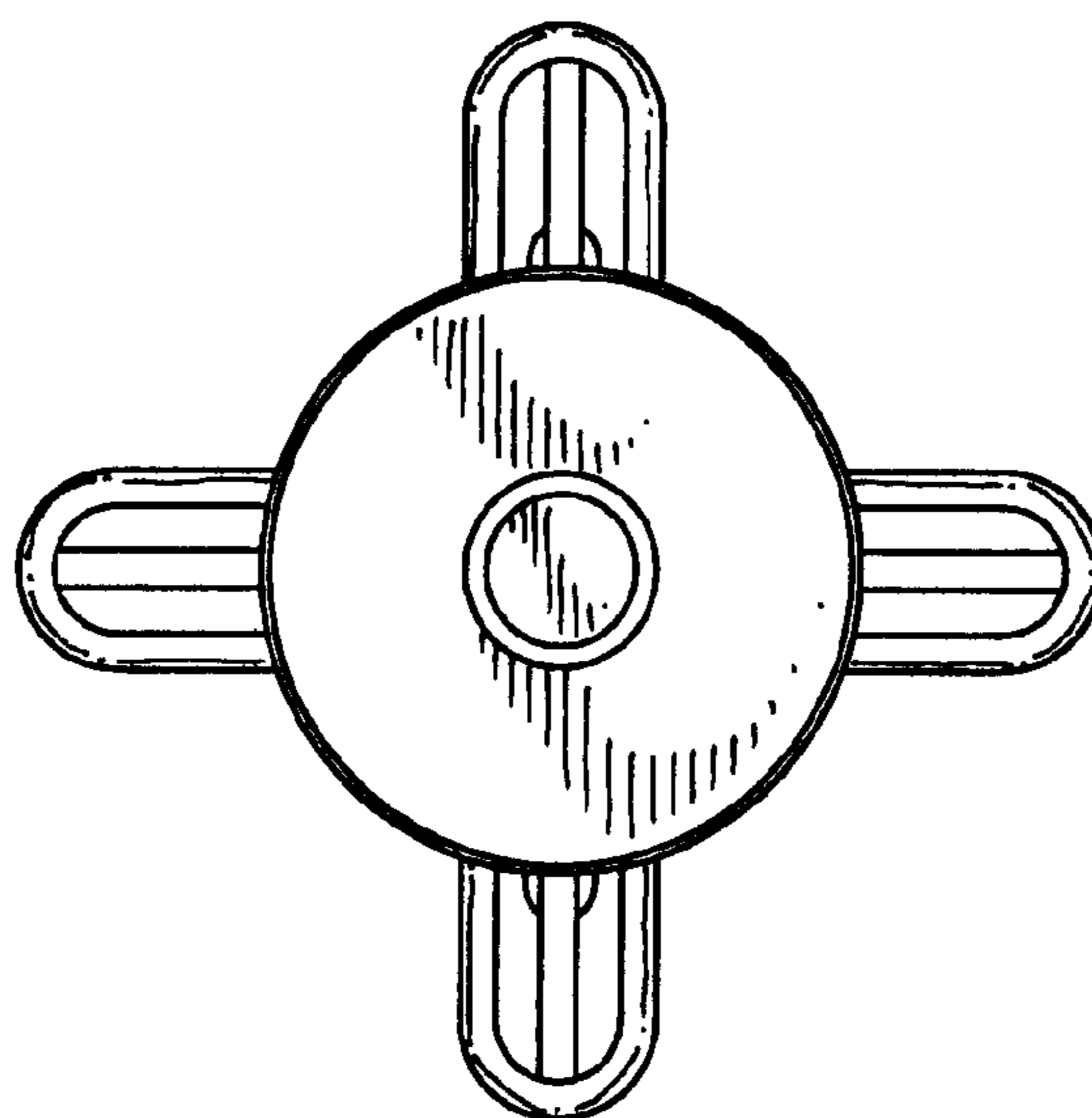


FIG. 10