



US00D539988S

(12) **United States Design Patent** (10) **Patent No.:** **US D539,988 S**
Crafoord et al. (45) **Date of Patent:** **** Apr. 3, 2007**

(54) **WELDING HELMET VISOR**

(75) Inventors: **David Crafoord**, Bromma (SE); **Rutger Belin**, Leksand (SE); **Lennart C. Fredriksson**, Basvagen (SE); **Jonas D. Fridholm**, Bromma (SE); **Oskar E. Juhlin**, Gustavsberg (SE); **Niklas Lilenthal**, Djura (SE); **Kjell I. Mases**, Gagnef (SE)

(73) Assignee: **3M Innovative Properties Company**, St. Paul, MN (US)

(**) Term: **14 Years**

(21) Appl. No.: **29/236,040**

(22) Filed: **Aug. 9, 2005**

(51) **LOC (8) Cl.** **29-02**

(52) **U.S. Cl.** **D29/122**

(58) **Field of Classification Search** D29/102-110, D29/122; 2/7-8, 15, 410, 424, 427, 429, 2/9, 430-433, 441; 219/147; 359/361; 434/234; D24/110.2, 110.3; 128/206.21
See application file for complete search history.

(56) **References Cited**

U.S. PATENT DOCUMENTS

D249,396 S	9/1978	Kamata	
D250,856 S	* 1/1979	Siebert D29/110
D251,156 S	2/1979	Schleicher et al.	
D294,747 S	3/1988	Gevert	
D312,513 S	11/1990	Morin	
D322,493 S	* 12/1991	Metzger D29/110
D324,588 S	* 3/1992	Metzger D29/110
D331,299 S	11/1992	Kamata	
D331,474 S	12/1992	Lehtonen	
D340,546 S	10/1993	Kamata	
D351,685 S	10/1994	Kamata	
D354,375 S	1/1995	Lechner	
D361,867 S	8/1995	Taniuchi	
D365,666 S	12/1995	Gumpp	
D370,310 S	* 5/1996	Reuber et al. D29/110

(Continued)

OTHER PUBLICATIONS

U.S. Appl. No. 29/236,038, filed Aug. 9, 2005 to Belin et al. entitled Welding Helmet Visor Flanges.
U.S. Appl. No. 29/236,039, filed Aug. 9, 2005 to Fredriksson et al. entitled Side Portion Of A Welding Helmet.
U.S. Appl. No. 29/236,061, filed Aug. 9, 2005 to Fridholm et al. entitled Welding Helmet Lens Frame.
U.S. Appl. No. 29/236,062, filed Aug. 9, 2005 to Juhlin et al. entitled Top Portion Of A Welding Helmet.
U.S. Appl. No. 29/236,060, filed Aug. 9, 2005 to Lilenthal et al. entitled Side Portion Of A Welding Helmet.
U.S. Appl. No. 29/236,009, filed Aug. 9, 2005 to Mases et al. entitled Ear Portion Of A Welding Helmet.
U.S. Appl. No. 29/236,058, filed Aug. 9, 2005 to Lilenthal et al. entitled Welding Helmet Lens Shield.
U.S. Appl. No. 29/236,057, filed Aug. 9, 2005 to Lilenthal et al. entitled Welding Helmet.
JPO Design Division Prior Art Ref. No. HA 15021476 disclosed on page 122 of GOGGLE vol. 11, dated Nov. 1, 2003, which is furnished in the National Center for Industrial Property Information on Sep. 25, 2003.

Primary Examiner—Ruth McInroy

(74) *Attorney, Agent, or Firm*—Karl G. Hanson

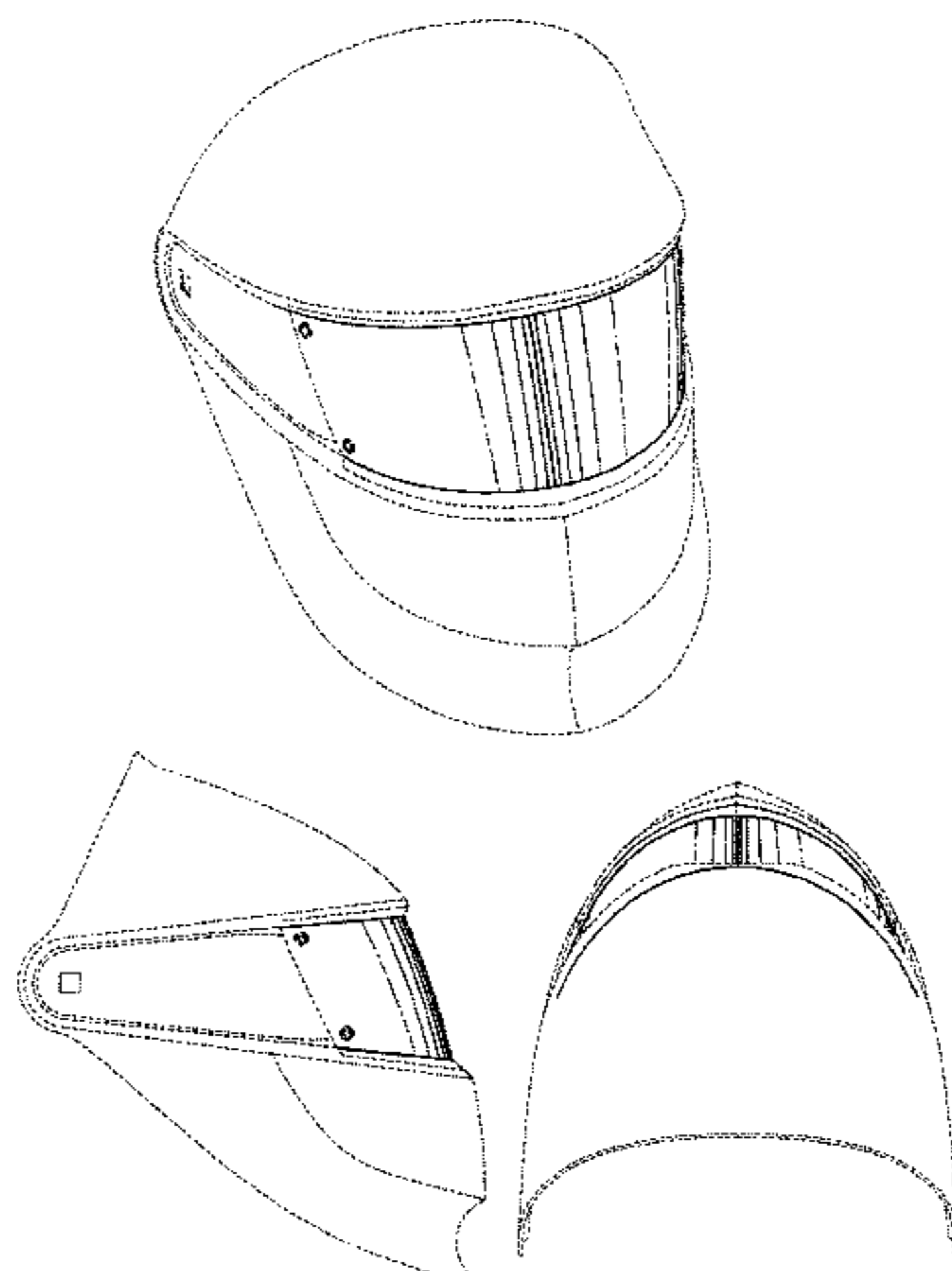
(57) **CLAIM**

The ornamental design for a welding helmet visor, as shown and described.

DESCRIPTION

FIG. 1 is a perspective view, showing the new design for a welding helmet visor;
FIG. 2 is a left side view, the right side view being a mirror image thereof;
FIG. 3 is a top view thereof;
FIG. 4 is a front view thereof;
FIG. 5 is a bottom view thereof; and,
FIG. 6 is a rear view thereof.
The broken lines form no part of the claimed design, and the shading is provided to illustrate contour only and is not an indication of texture, gloss, etc.

1 Claim, 4 Drawing Sheets



US D539,988 S

Page 2

U.S. PATENT DOCUMENTS

D373,223 S	*	8/1996	Pernicka et al.	D29/110	D452,643 S	1/2002	Morita	
D393,933 S		4/1998	Huh		D461,935 S	8/2002	Hahm	
D394,732 S	*	5/1998	Huh	D29/110	D475,815 S	6/2003	Kalhok	
D398,421 S	*	9/1998	Crafoord et al.	D29/110	D481,832 S	* 11/2003	Huh	D29/110
D411,900 S		7/1999	Puleo		D482,502 S	11/2003	Huh	
5,970,514 A	*	10/1999	Wang-Lee	2/9	D482,503 S	11/2003	Huh	
D418,255 S		12/1999	Hohdorf		D485,947 S	1/2004	Pelletier et al.	
D419,727 S	*	1/2000	Verkic et al.	D29/110	D485,948 S	1/2004	Yi	
D445,546 S		7/2001	Gafforio		D489,492 S	* 5/2004	Wu	D29/110
D446,357 S		8/2001	Shida		D492,817 S	7/2004	Simpson	
D446,887 S	*	8/2001	Young	D29/107	D497,223 S	10/2004	Kalhok	
D450,160 S		11/2001	Kalhok		D498,881 S	11/2004	Yi	
D452,592 S		12/2001	Kalhok		D498,883 S	11/2004	Simpson	

* cited by examiner

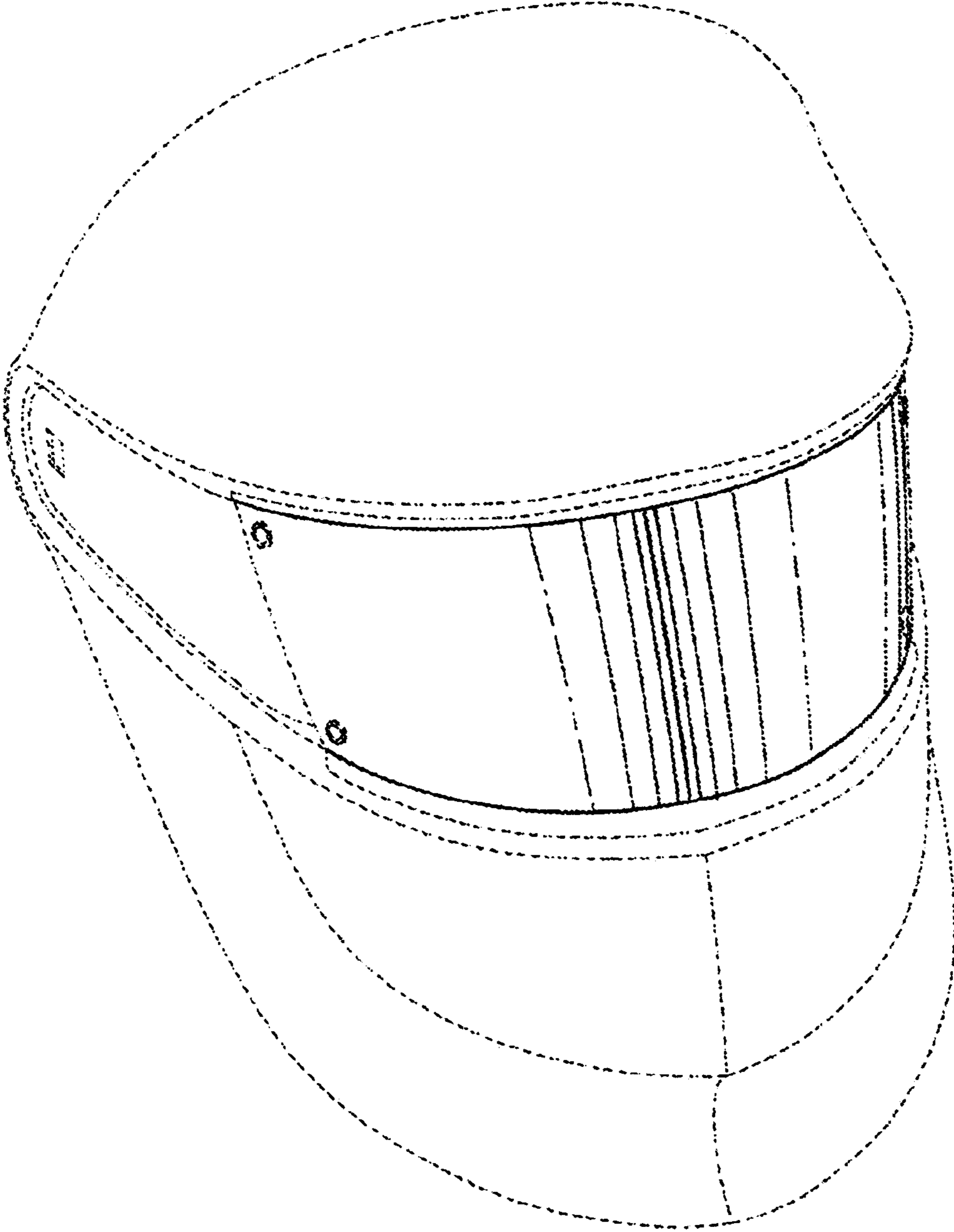


Fig. 1

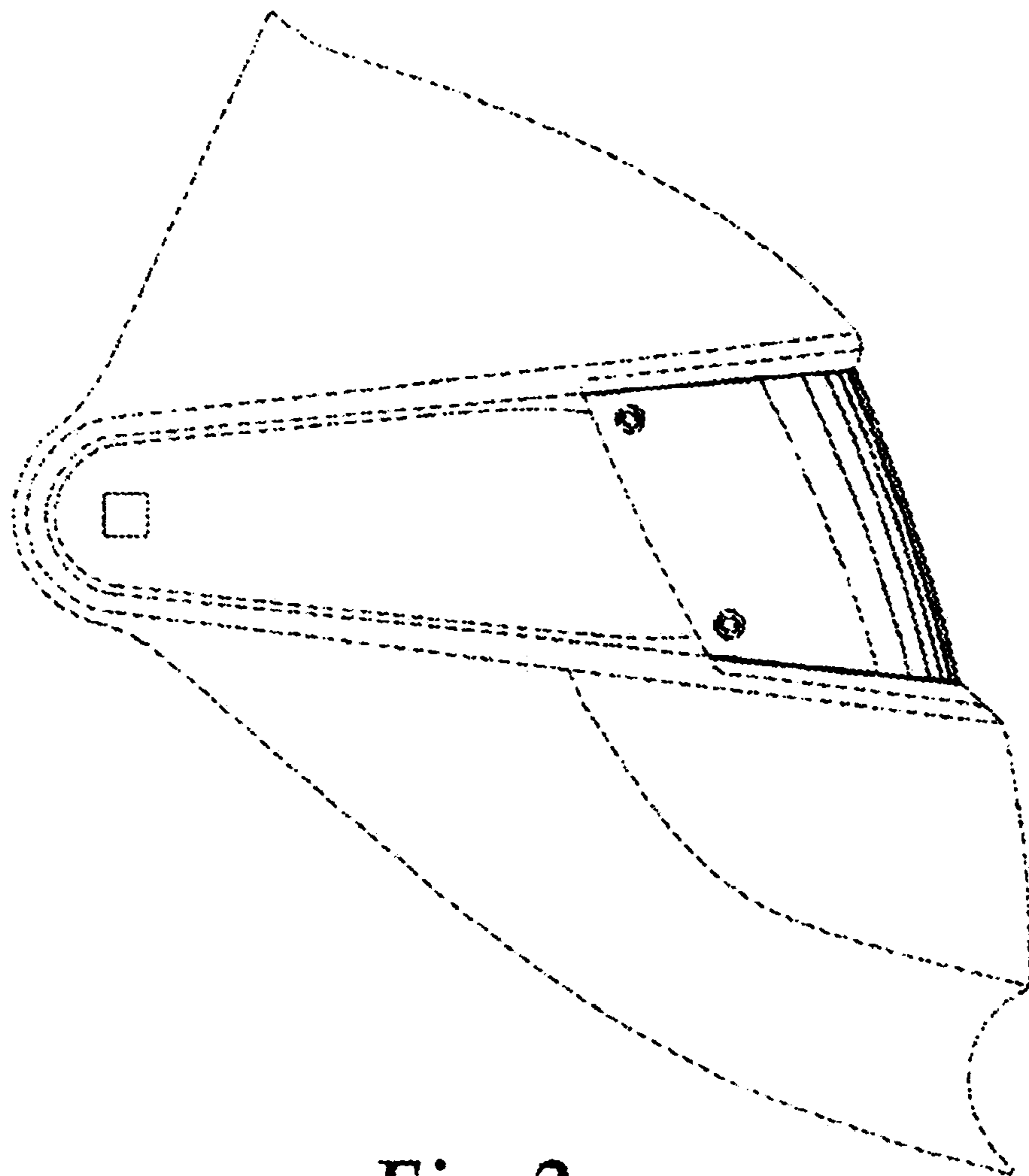
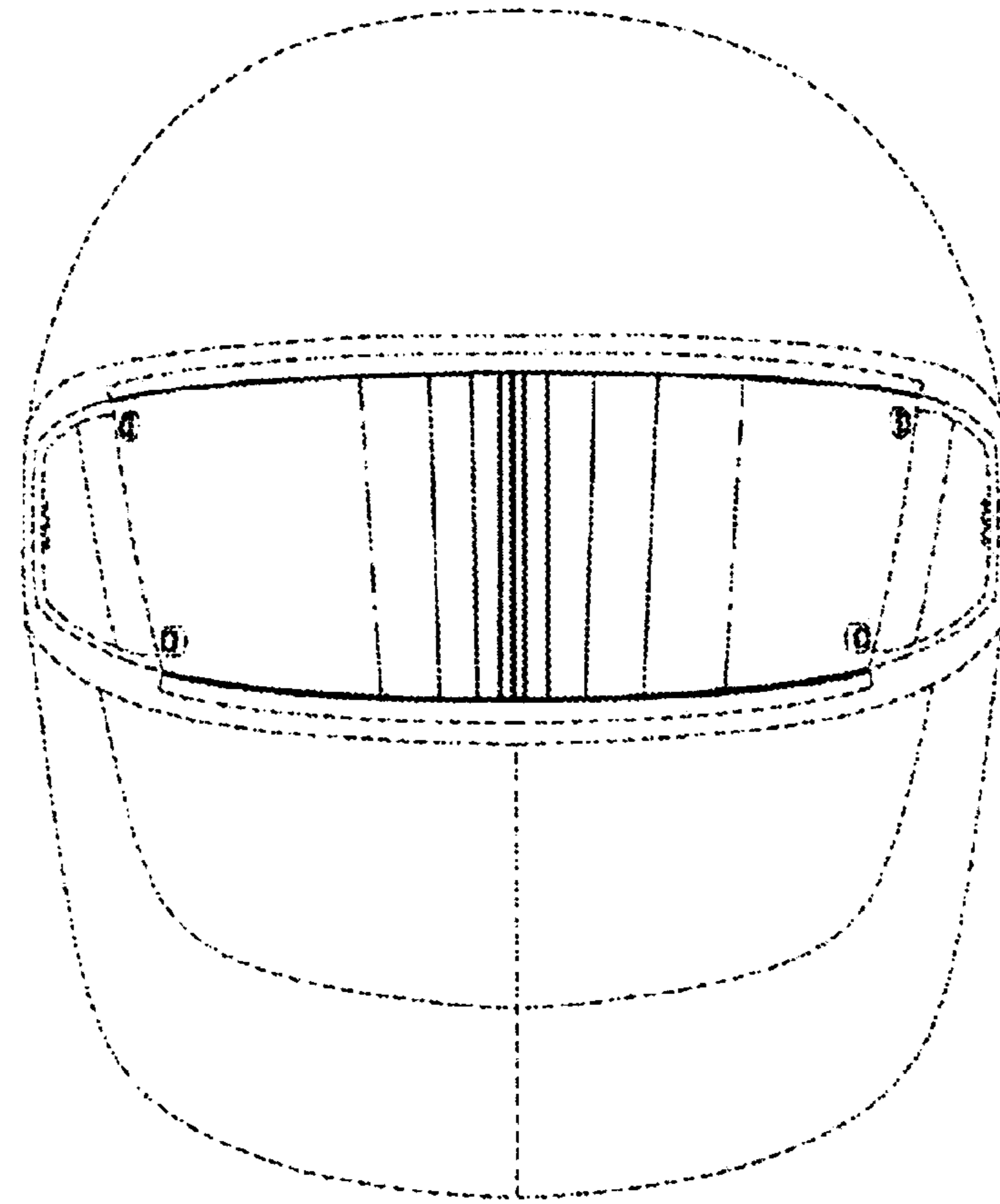
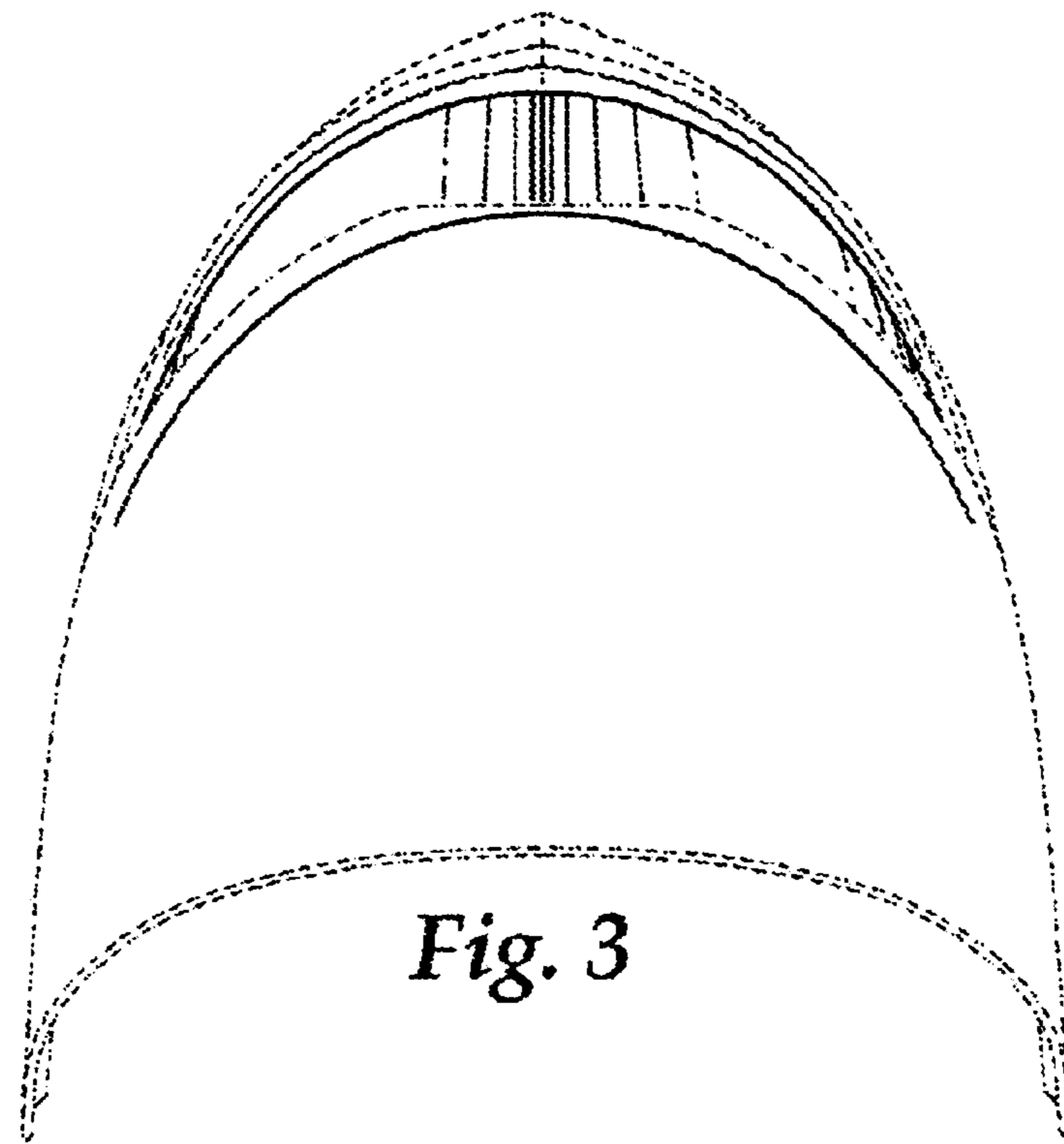


Fig. 2



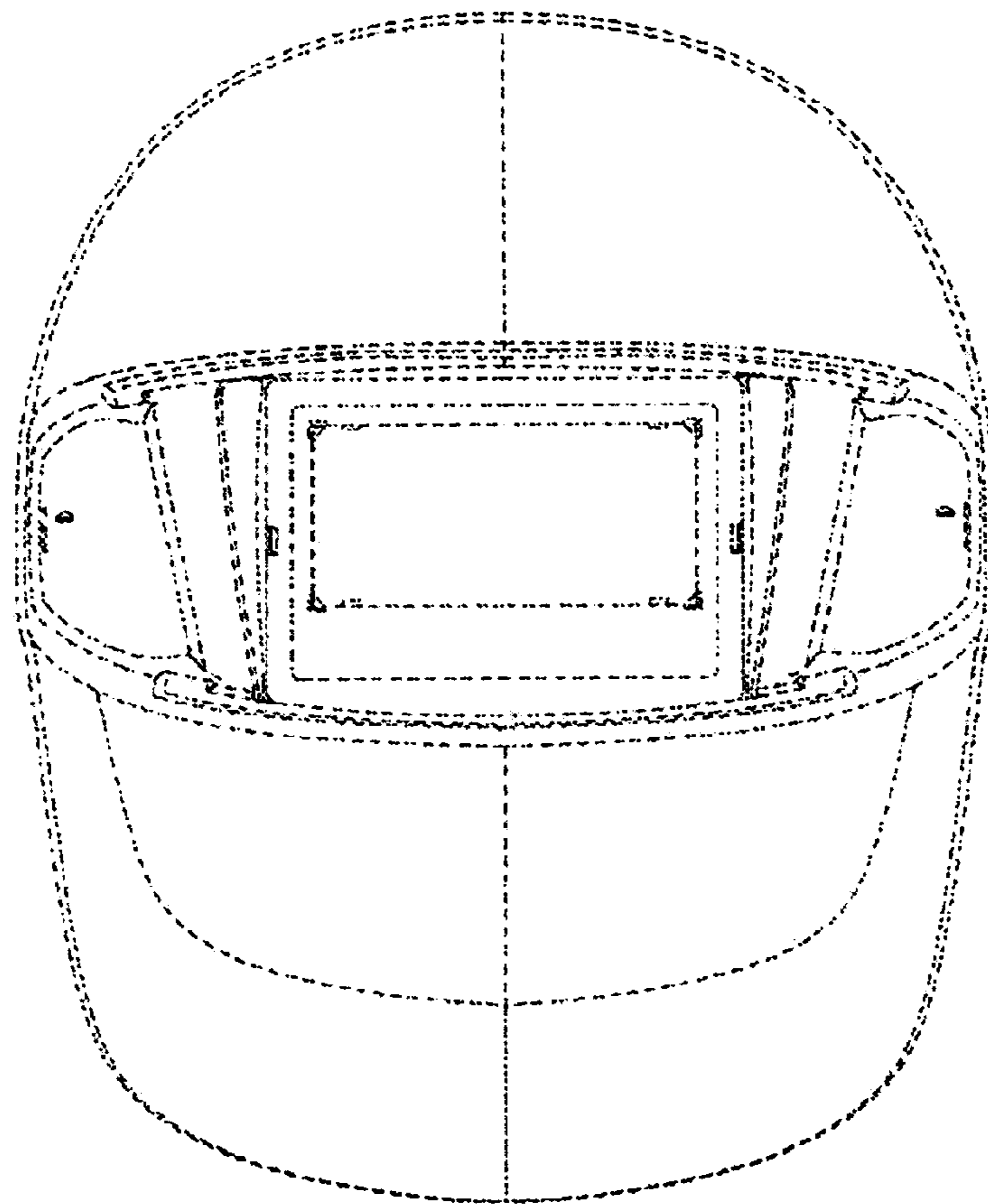
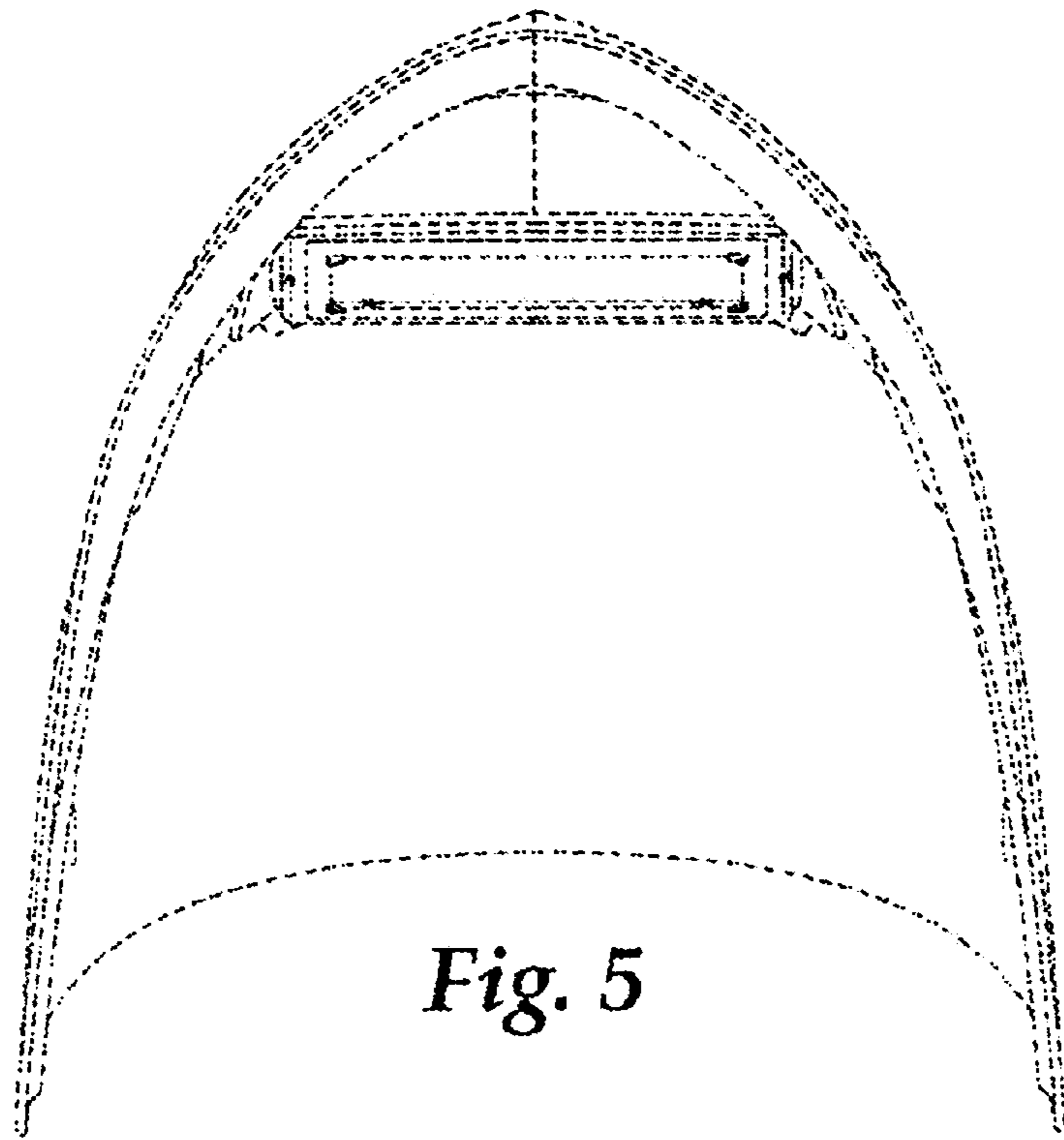


Fig. 6