

US00D539976S

(12) **United States Design Patent**
Lin

(10) **Patent No.:** **US D539,976 S**

(45) **Date of Patent:** **** Apr. 3, 2007**

(54) **CAMERA LIGHTER**

D345,987 S * 4/1994 Nihei D16/209
D434,058 S * 11/2000 Shinohara et al. D16/219

(76) Inventor: **Rong Lin**, 2916 Arabian Pl. NE.,
Marietta, GA (US) 30062

* cited by examiner

(**) Term: **14 Years**

Primary Examiner—Jennifer Rivard

(21) Appl. No.: **29/257,371**

(57) **CLAIM**

(22) Filed: **Apr. 4, 2006**

The ornamental design for a camera lighter, as shown.

(51) **LOC (8) Cl.** **27-05**

(52) **U.S. Cl.** **D27/148**

(58) **Field of Classification Search** D27/141,
D27/142, 148, 154–161; 431/129, 143, 153,
431/253–256, 273–277; D21/514; D16/200–218
See application file for complete search history.

DESCRIPTION

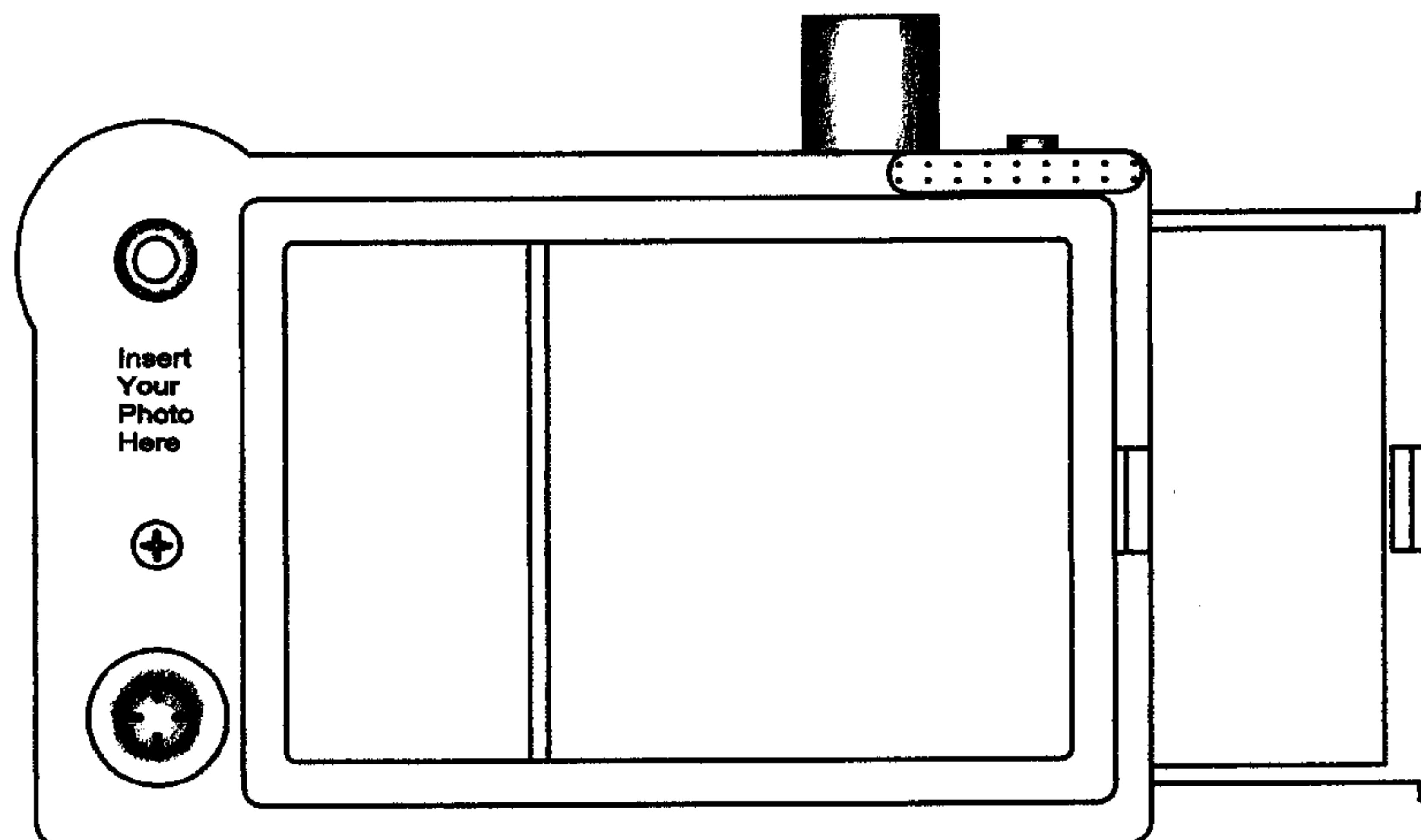
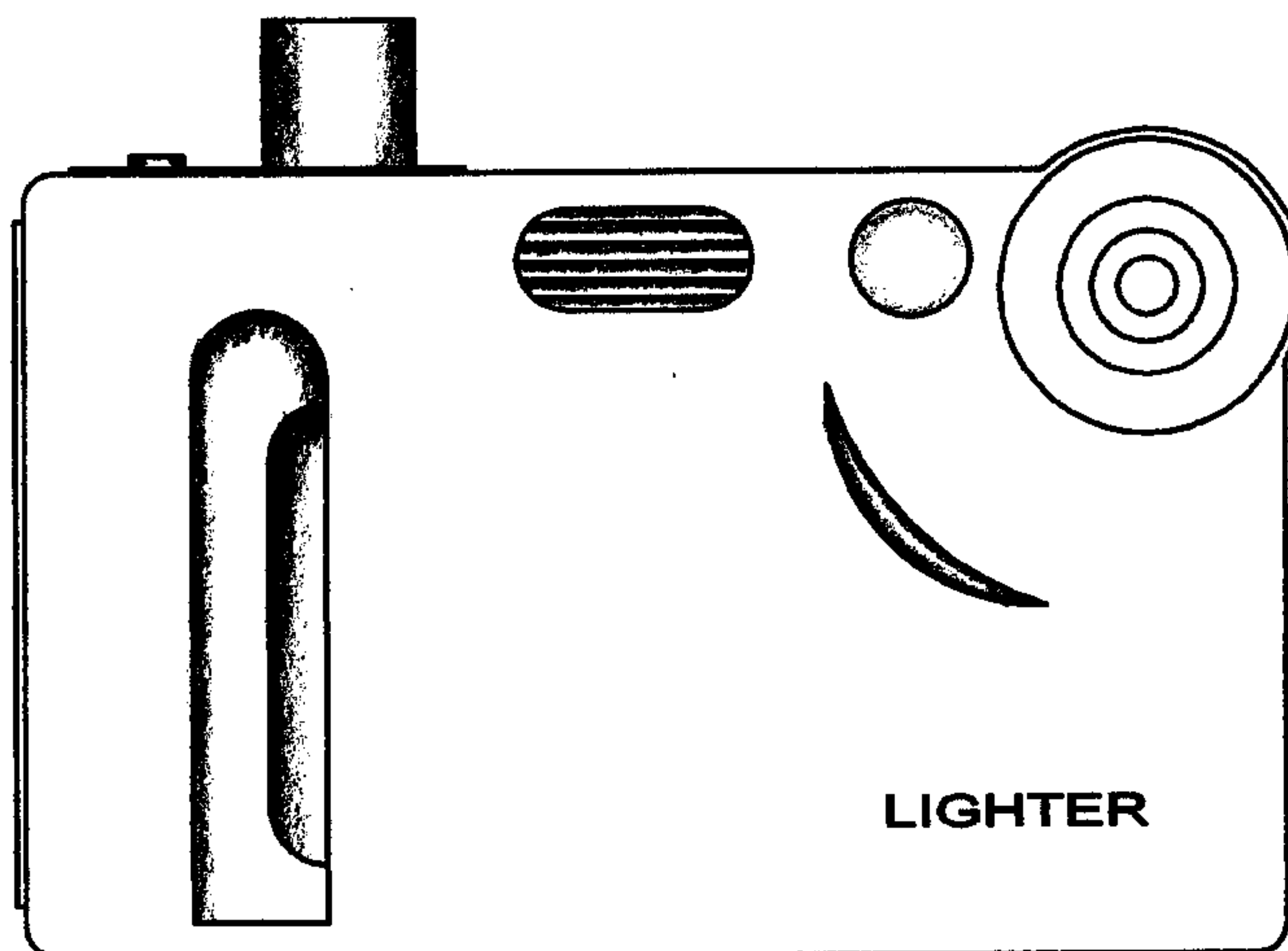
FIG. 1 is a front elevational view thereof;
FIG. 2 is a right side elevational view thereof;
FIG. 3 is a left side elevational view thereof;
FIG. 4 is a rear elevational view thereof;
FIG. 5 is a top plan view thereof;
FIG. 6 is a bottom plan view thereof.
FIG. 7 is a rear elevational view of slide-out position
thereof; and,
FIG. 8 is a top plan view of slide-out position thereof.

(56) **References Cited**

U.S. PATENT DOCUMENTS

D259,486 S * 6/1981 Vong D27/142
D289,801 S * 5/1987 Fujisawa D27/154

1 Claim, 8 Drawing Sheets



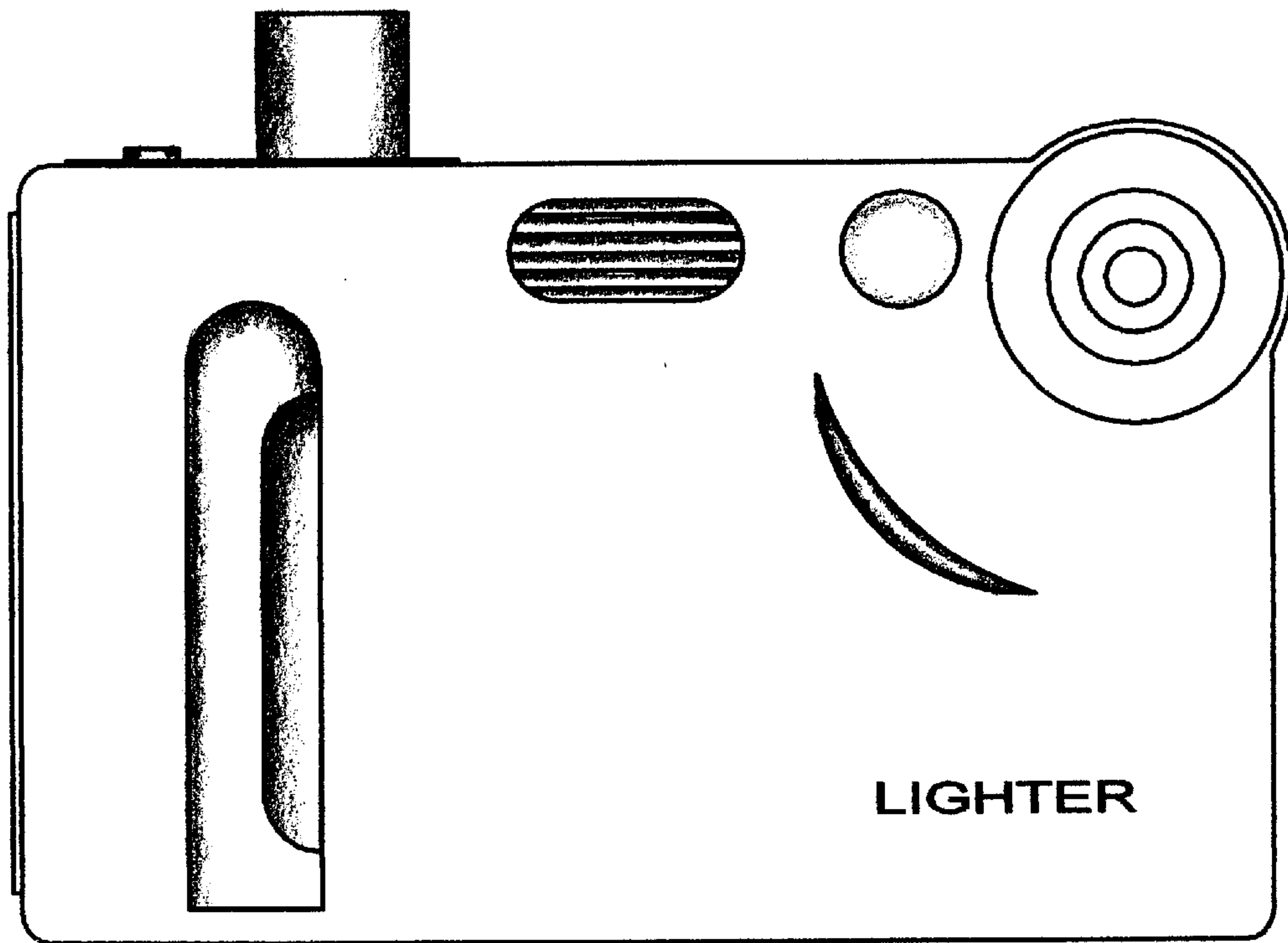


FIG. 1

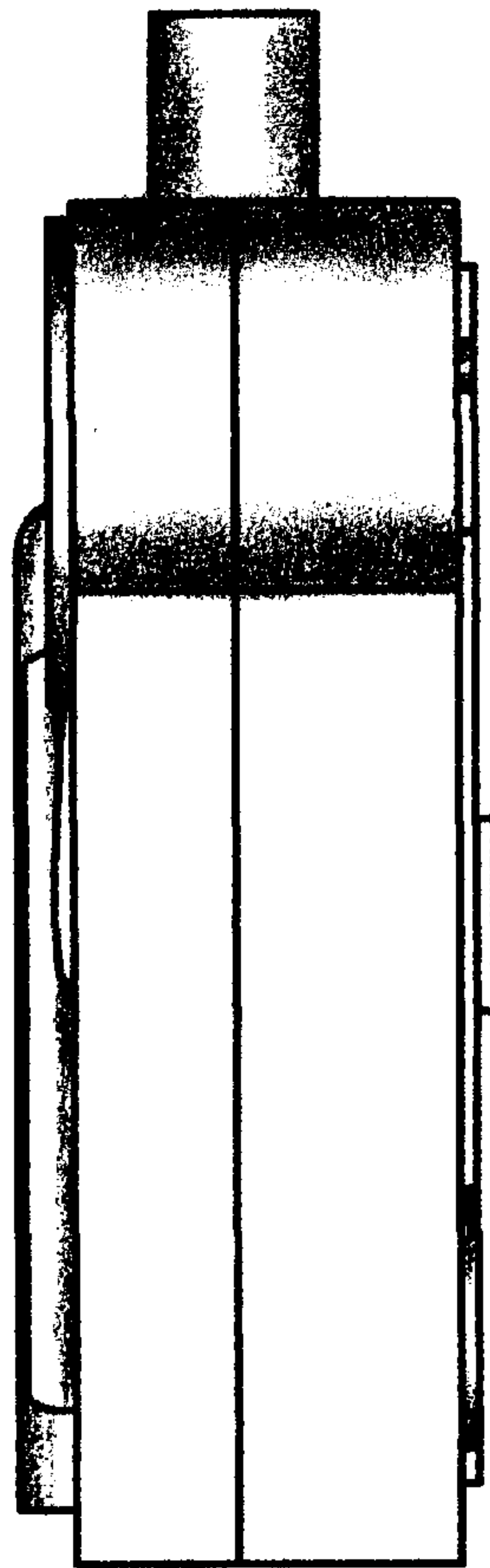


FIG. 2

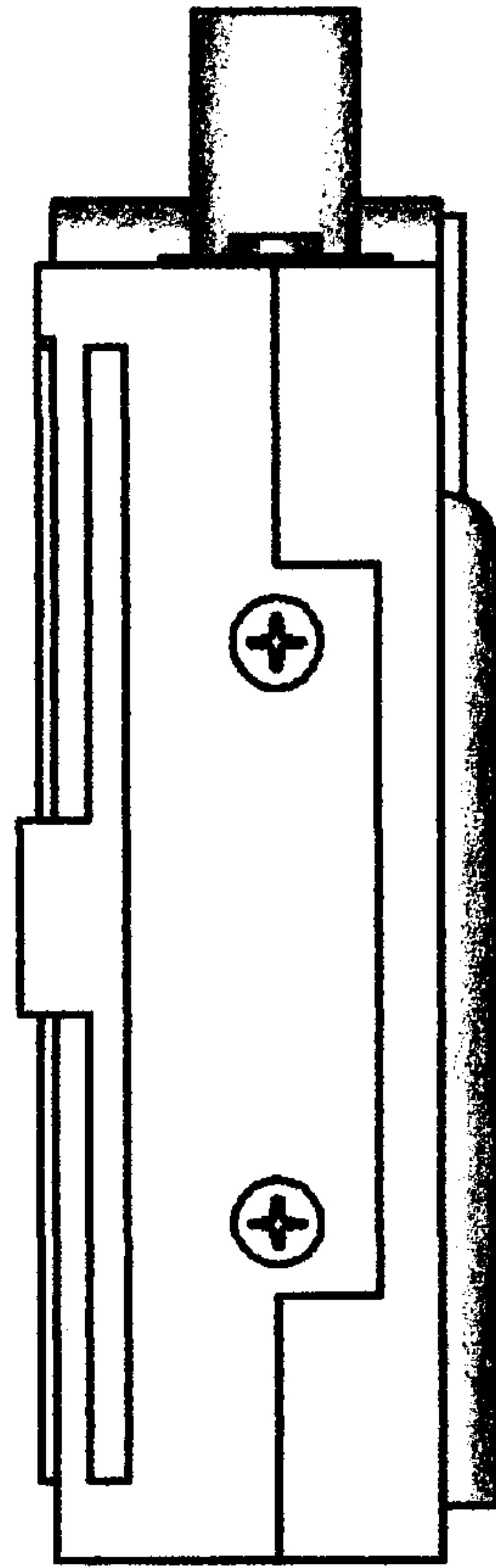


FIG. 3

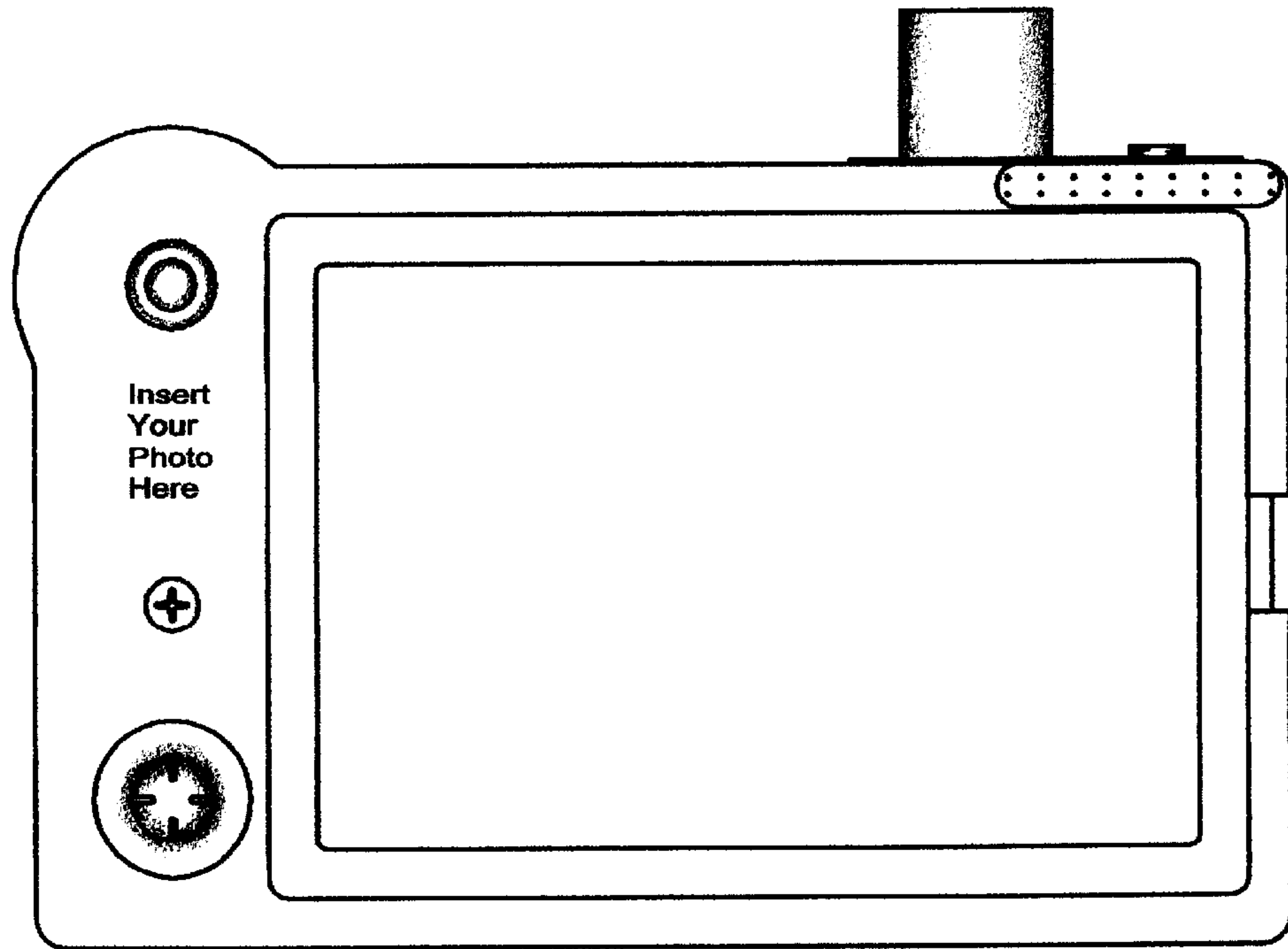


FIG. 4

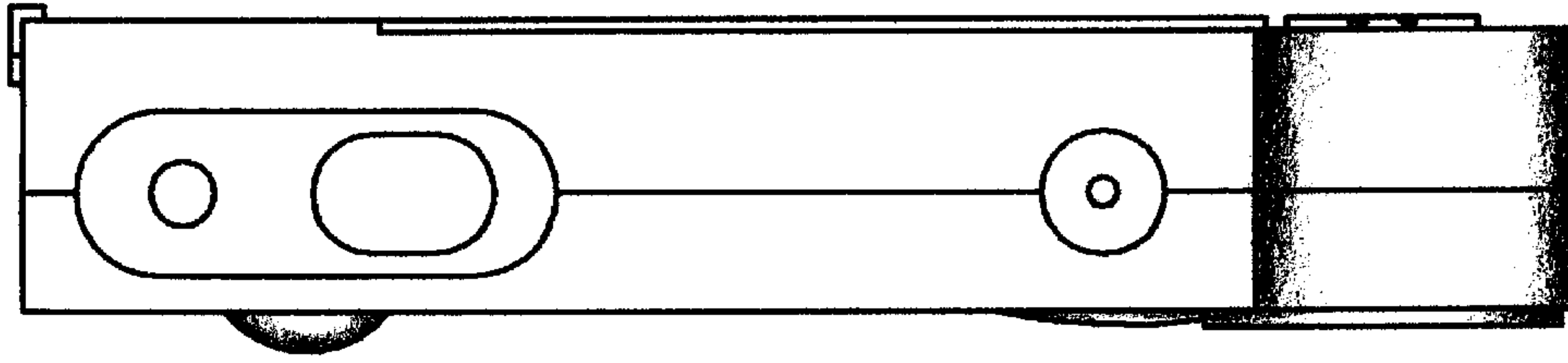


FIG. 5

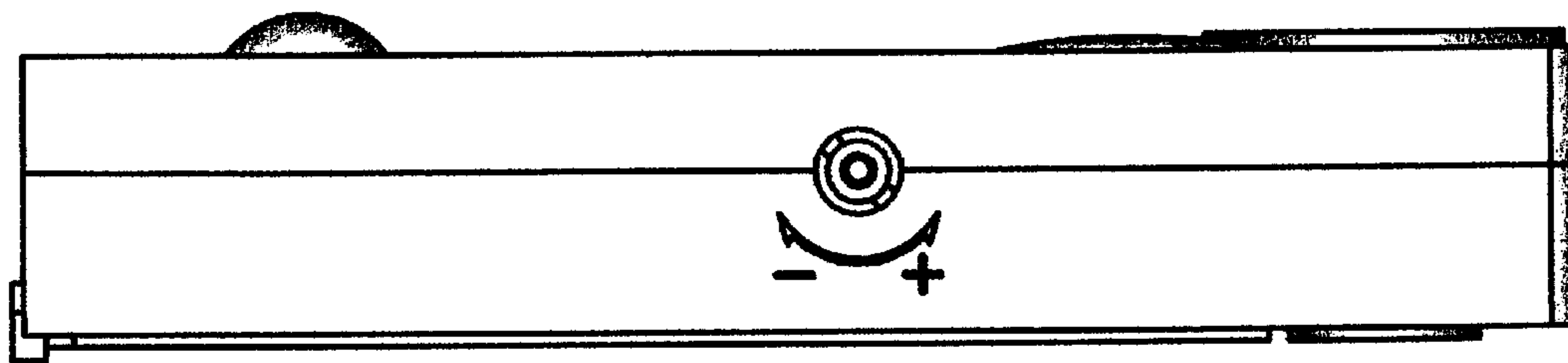


FIG. 6

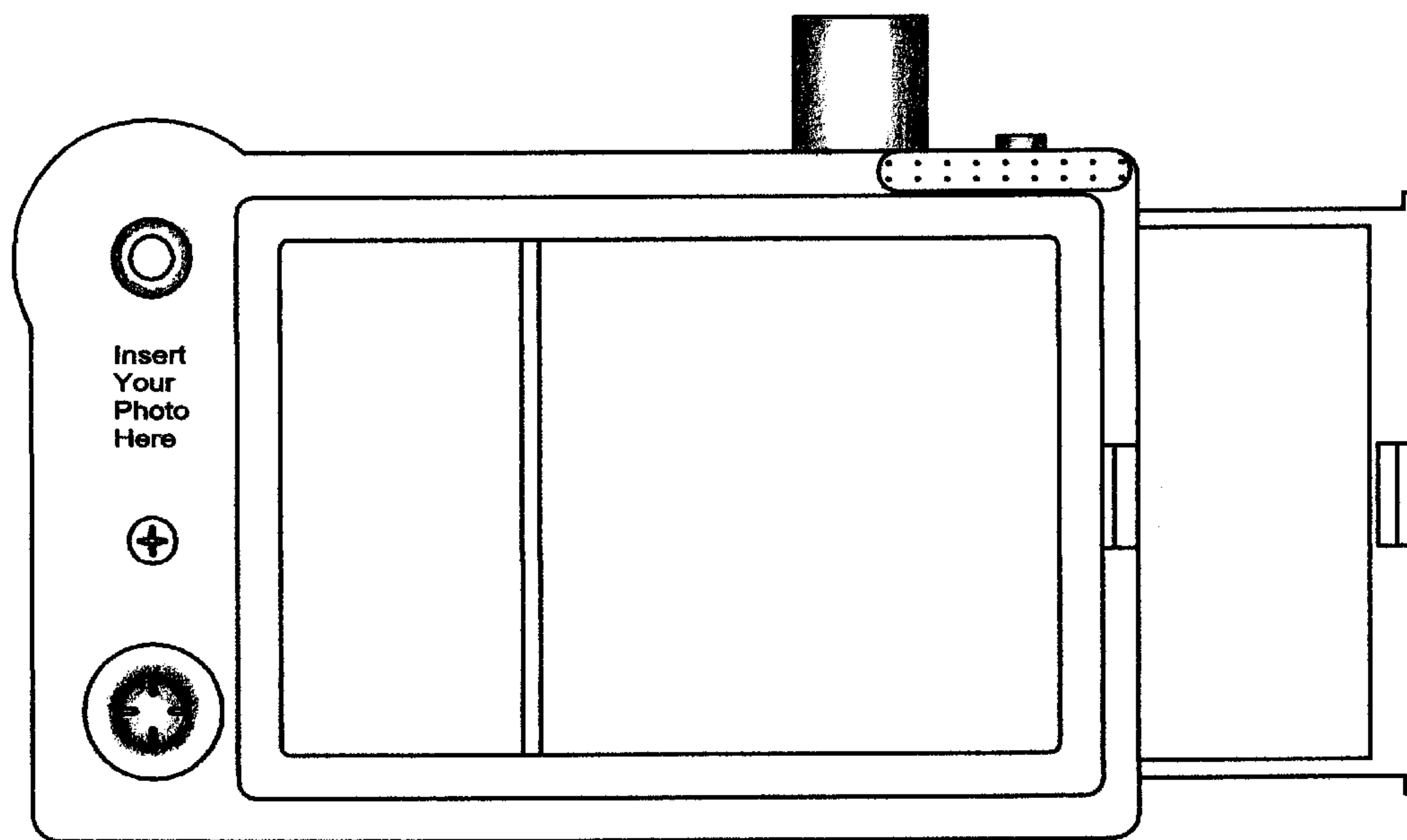


FIG. 7

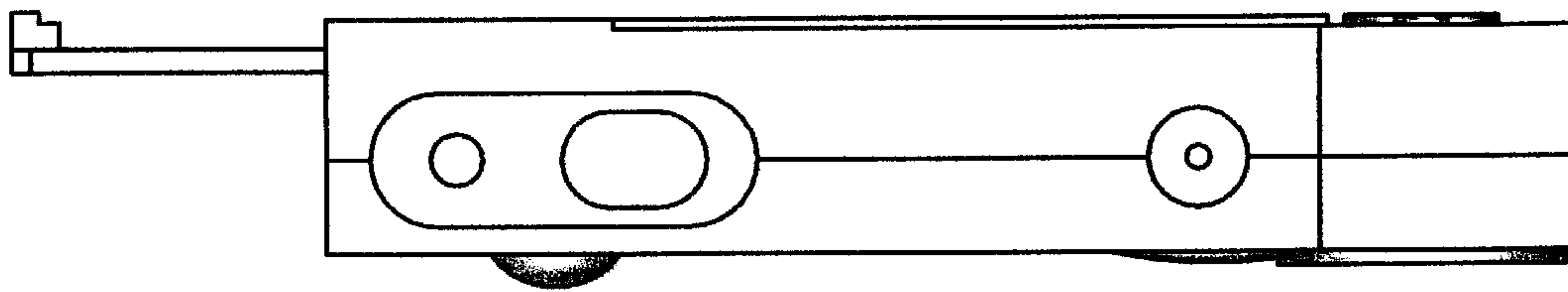


FIG. 8