

US00D539975S

(12) **United States Design Patent**
Park

(10) **Patent No.:** **US D539,975 S**

(45) **Date of Patent:** **** Apr. 3, 2007**

(54) **LIGHTER**

(75) Inventor: **Keith K. Park**, La Canada Flintridge, CA (US)

(73) Assignee: **Prometheus International, Inc.**, Commerce, CA (US)

(**) Term: **14 Years**

(21) Appl. No.: **29/262,128**

(22) Filed: **Jun. 27, 2006**

(51) **LOC (8) Cl.** **27-05**

(52) **U.S. Cl.** **D27/143; D27/154**

(58) **Field of Classification Search** D27/141–161;
431/129, 143, 153, 253–256, 273–277; 30/109–113;
131/248–249

See application file for complete search history.

(56) **References Cited**

U.S. PATENT DOCUMENTS

D233,781 S * 11/1974 Gomersall D27/159

(Continued)

OTHER PUBLICATIONS

Prometheus International, Inc.; Product Brochure, Fall 2004–Fall–2005, front cover, pp. 71–73, 106–107, 2004.

Prometheus International, Inc.; Product Brochure, New Collection for Fall–Winter 2005, front cover, pp. 3–5, 2005.

Primary Examiner—Jennifer Rivard

(74) *Attorney, Agent, or Firm*—Knobbe, Martens, Olson & Bear, LLP

(57) **CLAIM**

The ornamental design for a lighter, as shown and described.

DESCRIPTION

FIG. 1 is a front perspective view of one embodiment of the lighter according to the present design;

FIG. 2 is a front perspective view of another embodiment of the lighter according to the present design;

FIG. 3 is a front perspective view of another embodiment of the lighter according to the present design;

FIG. 4 is a front perspective view of another embodiment of the lighter according to the present design;

FIG. 5 is a front perspective view of another embodiment of the lighter according to the present design;

FIG. 6 is a left-side elevational view of the lighter of FIG. 1;

FIG. 7 is a right-side elevational view of the lighter of FIG. 1;

FIG. 8 is a front elevational view of the lighter of FIG. 1;

FIG. 9 is a rear elevational view of the lighter of FIG. 1;

FIG. 10 is a top plan view of the lighter of FIG. 1

FIG. 11 is a bottom plan view of the lighter of FIG. 1;

FIG. 12 is a lower-front perspective view of another embodiment of the lighter according to the present design;

FIG. 13 is a lower-front perspective view of the lighter of FIG. 12, illustrating a cutter of the lighter in an open configuration;

FIG. 14 is a front perspective view of another embodiment of the lighter according to the present design;

FIG. 15 is a front perspective view of another embodiment of the lighter according to the present design;

FIG. 16 is a front perspective view of another embodiment of the lighter according to the present design;

FIG. 17 is a front perspective view of another embodiment of the lighter according to the present design;

FIG. 18 is a left-side elevational view of the lighter of FIG. 12;

FIG. 19 is a right-side elevational view of the lighter of FIG. 12;

FIG. 20 is a front elevational view of the lighter of FIG. 12;

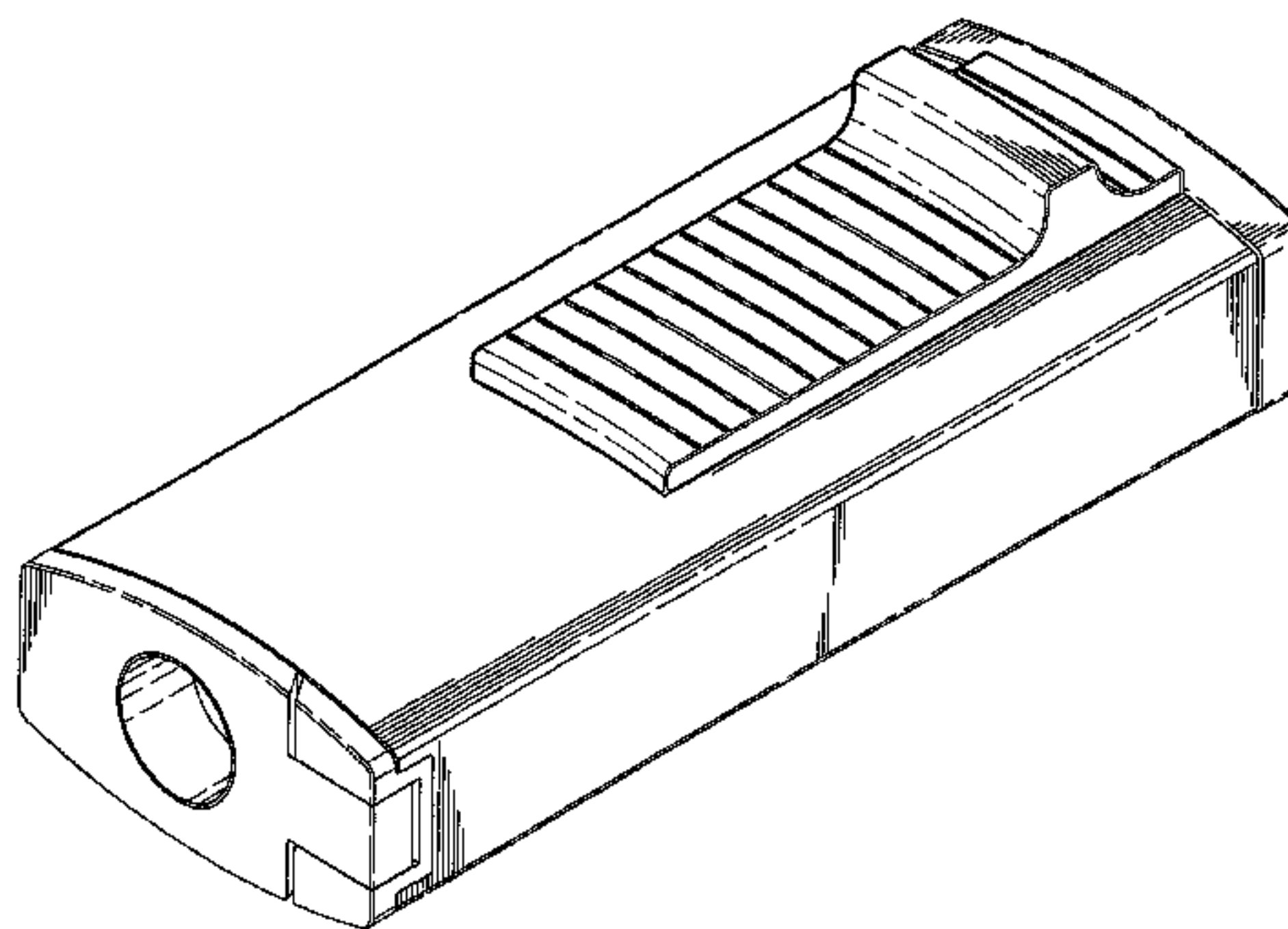
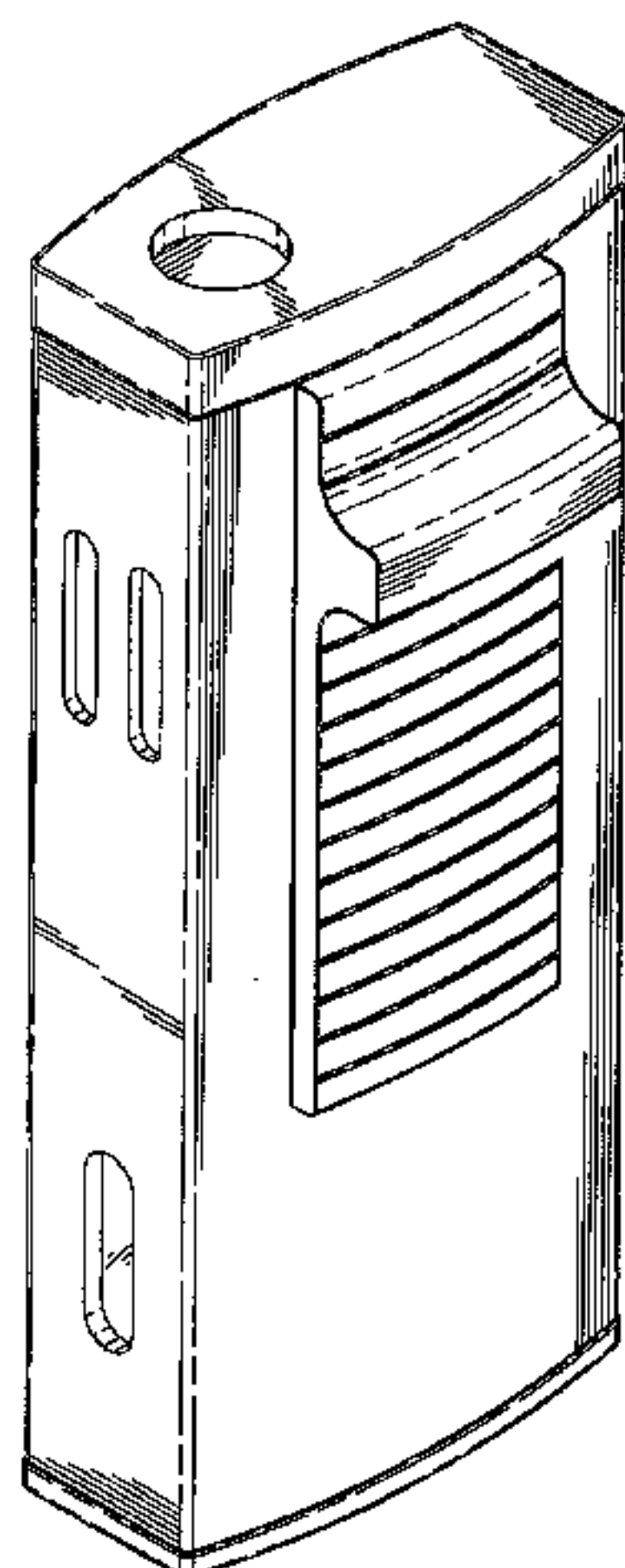
FIG. 21 is a rear elevational view of the lighter of FIG. 12;

FIG. 22 is a top plan view of the lighter of FIG. 12; and,

FIG. 23 is a bottom plan view of the lighter of FIG. 12.

The broken line showing is for illustrative purposes only and forms no part of the claimed design.

1 Claim, 17 Drawing Sheets



US D539,975 S

Page 2

U.S. PATENT DOCUMENTS

D243,348 S	*	2/1977	Stuetzer	D27/157	D454,222 S		3/2002	Park	
D246,471 S	*	11/1977	Stutzer et al.	D27/157	D463,617 S		9/2002	Park	
D345,438 S	*	3/1994	Tracol	D27/157	D515,732 S	*	2/2006	Smith	D27/143
D376,668 S		12/1996	Maruyama						

* cited by examiner

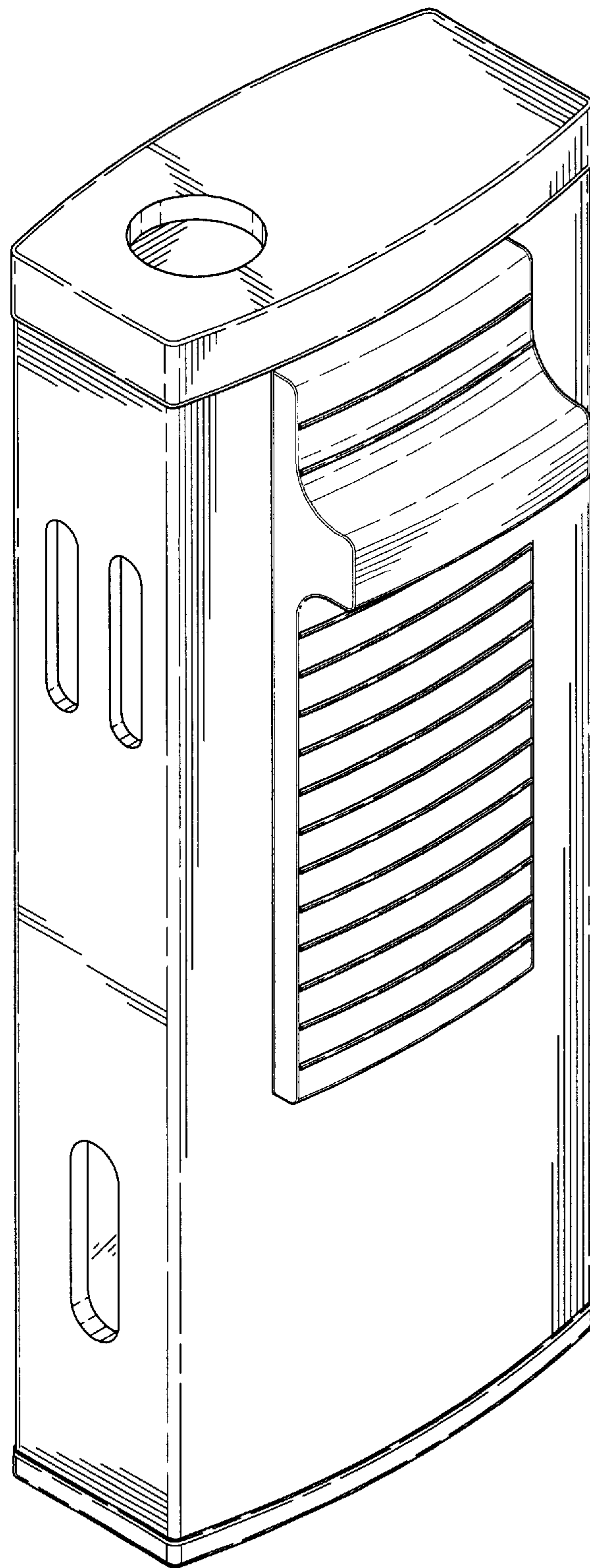


FIG. 1

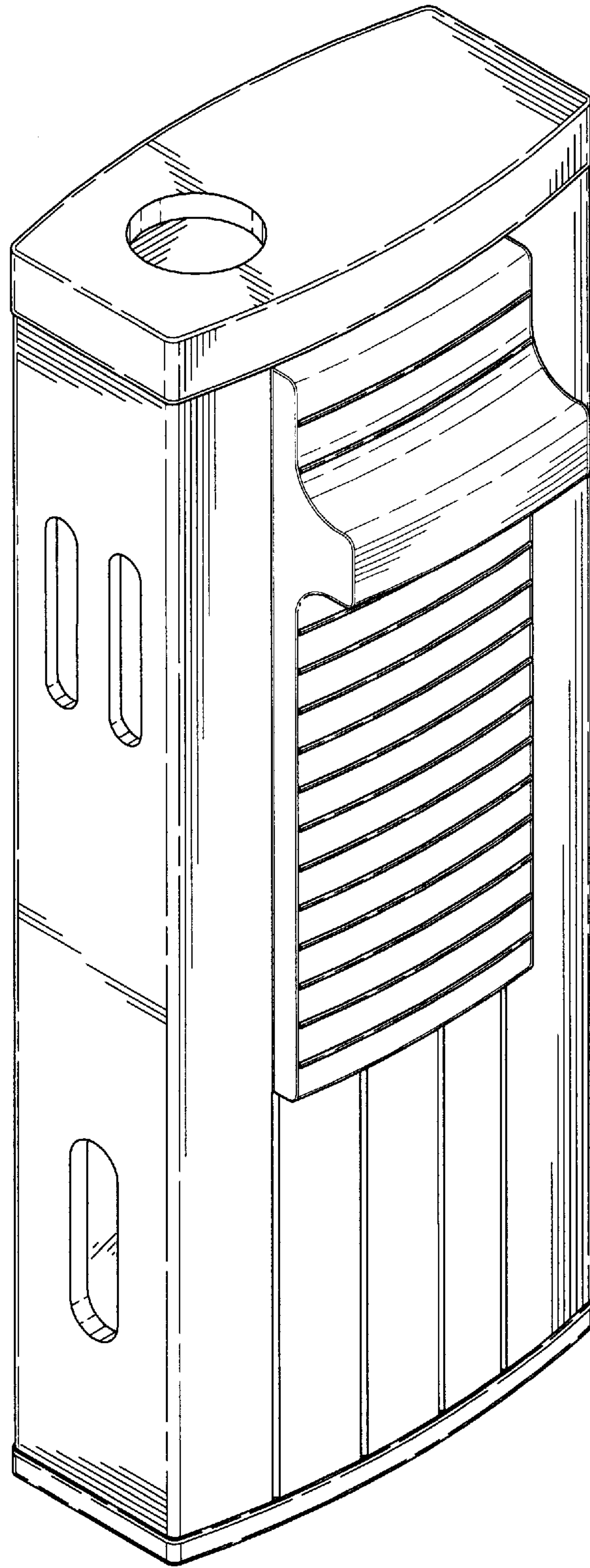


FIG. 2

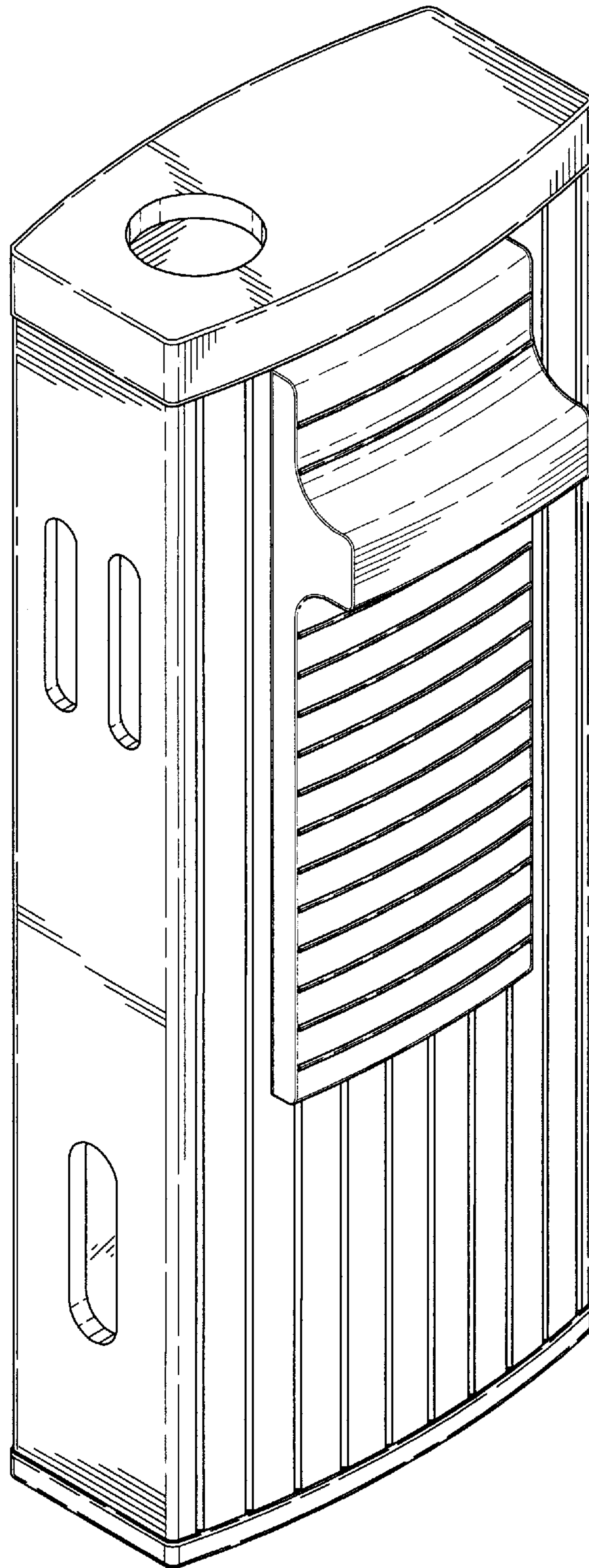


FIG. 3

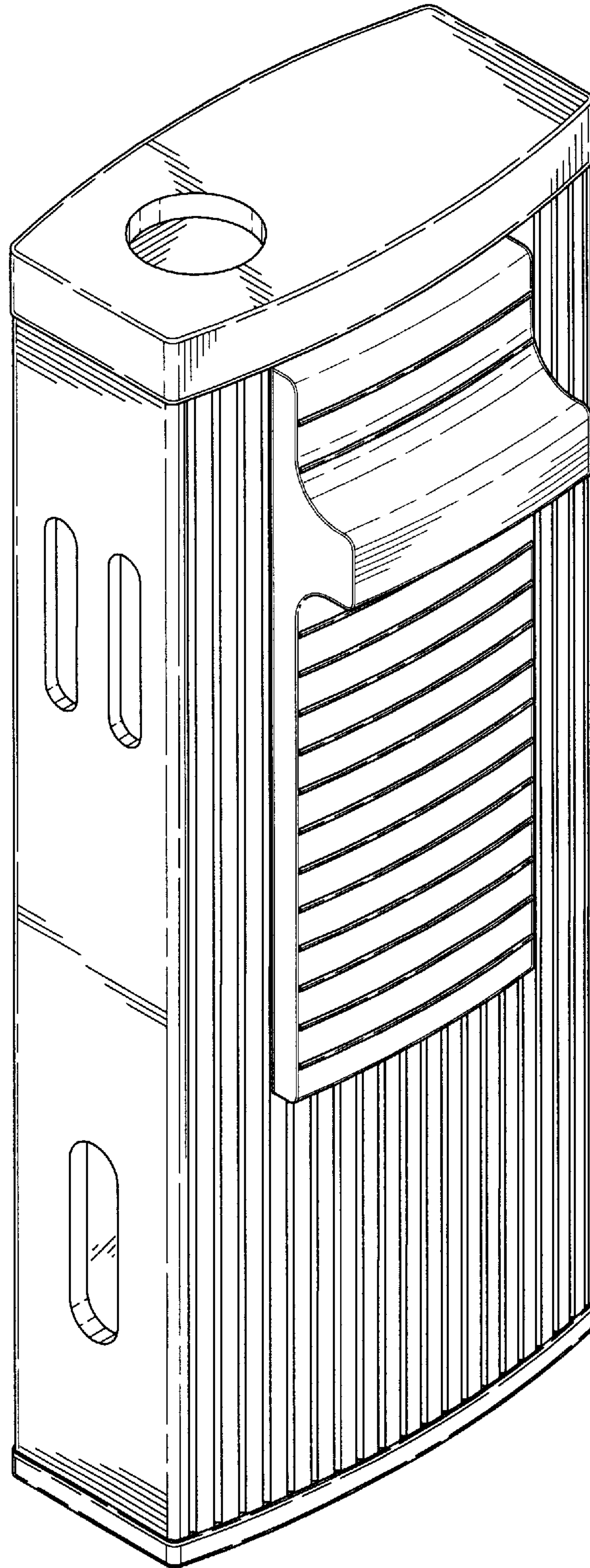


FIG. 4

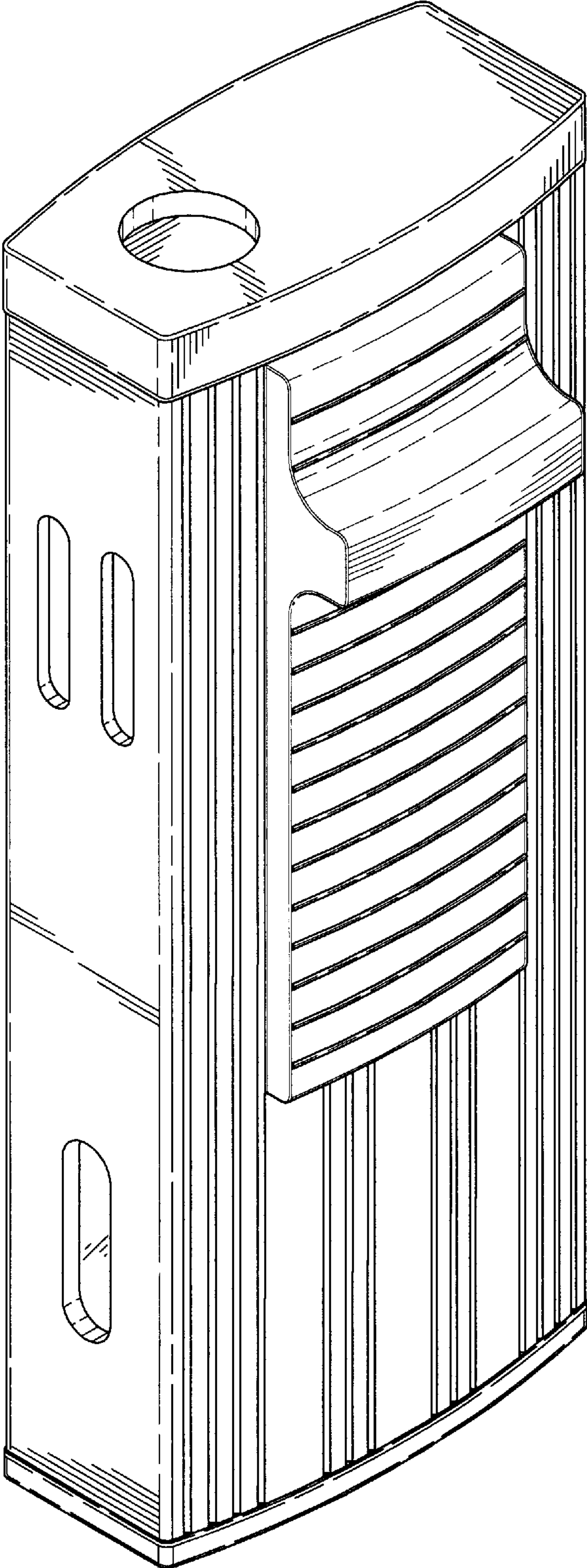


FIG. 5

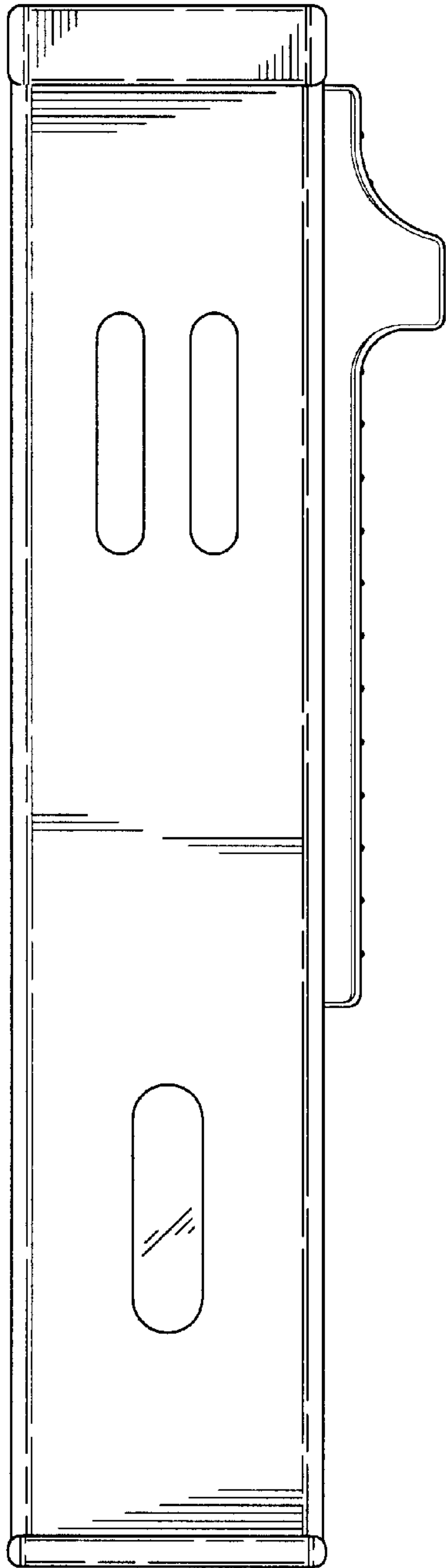


FIG. 6

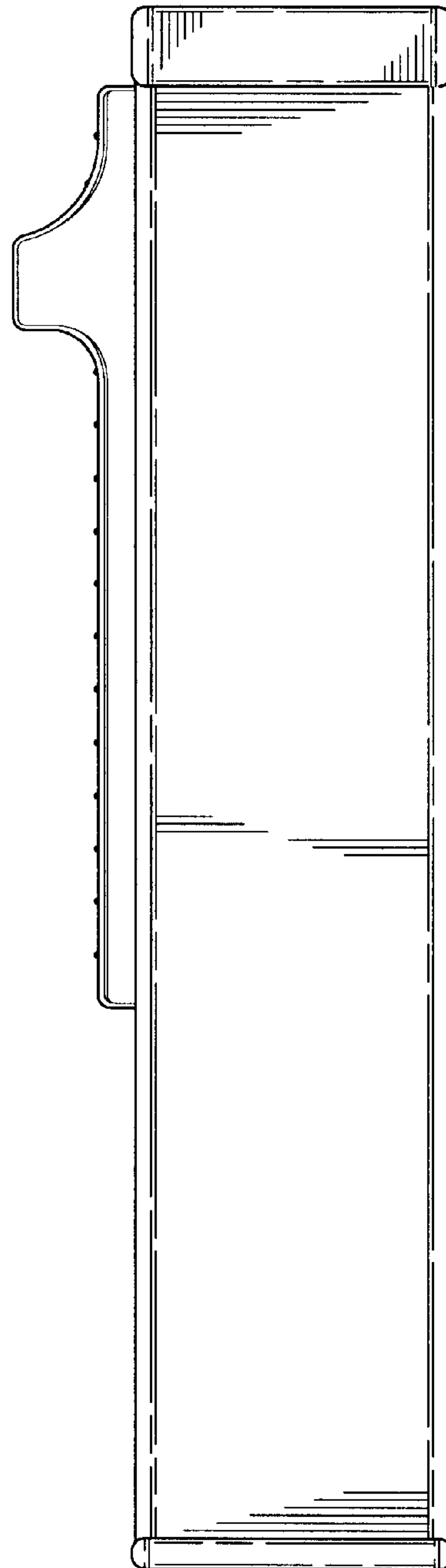


FIG. 7

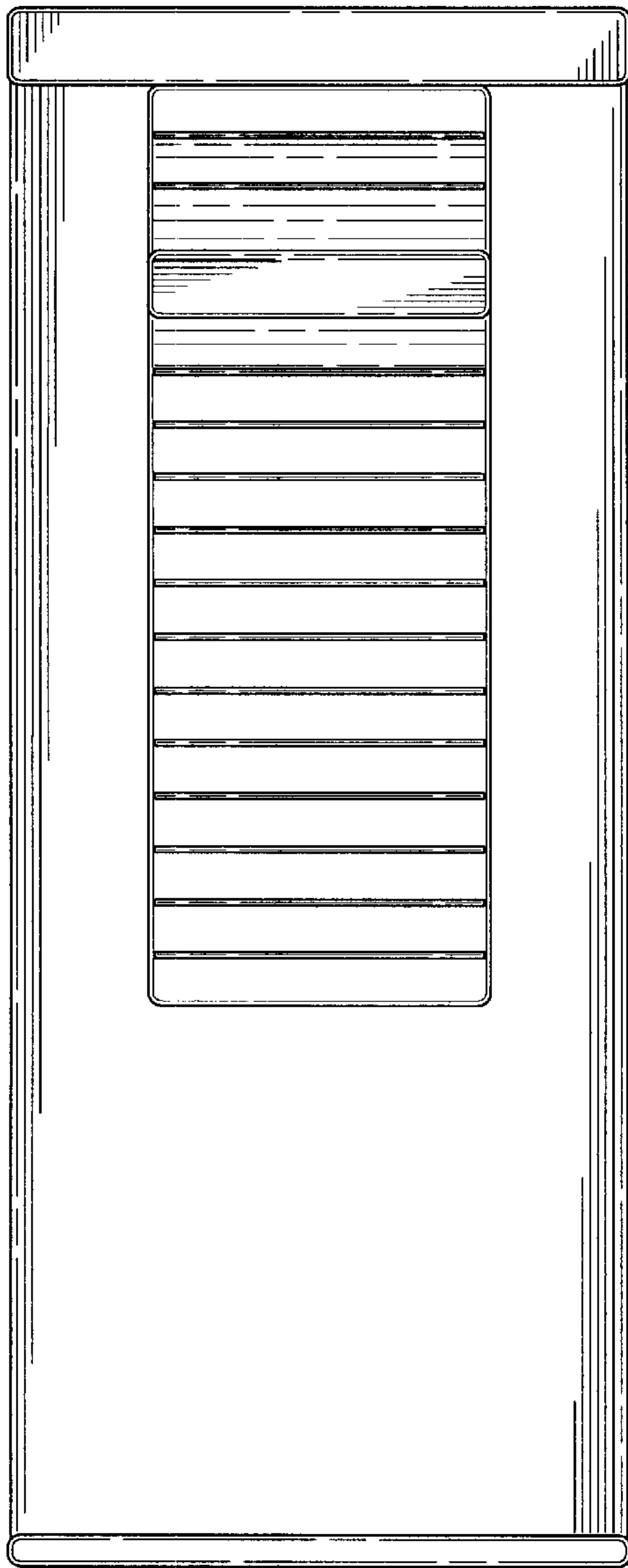


FIG. 8

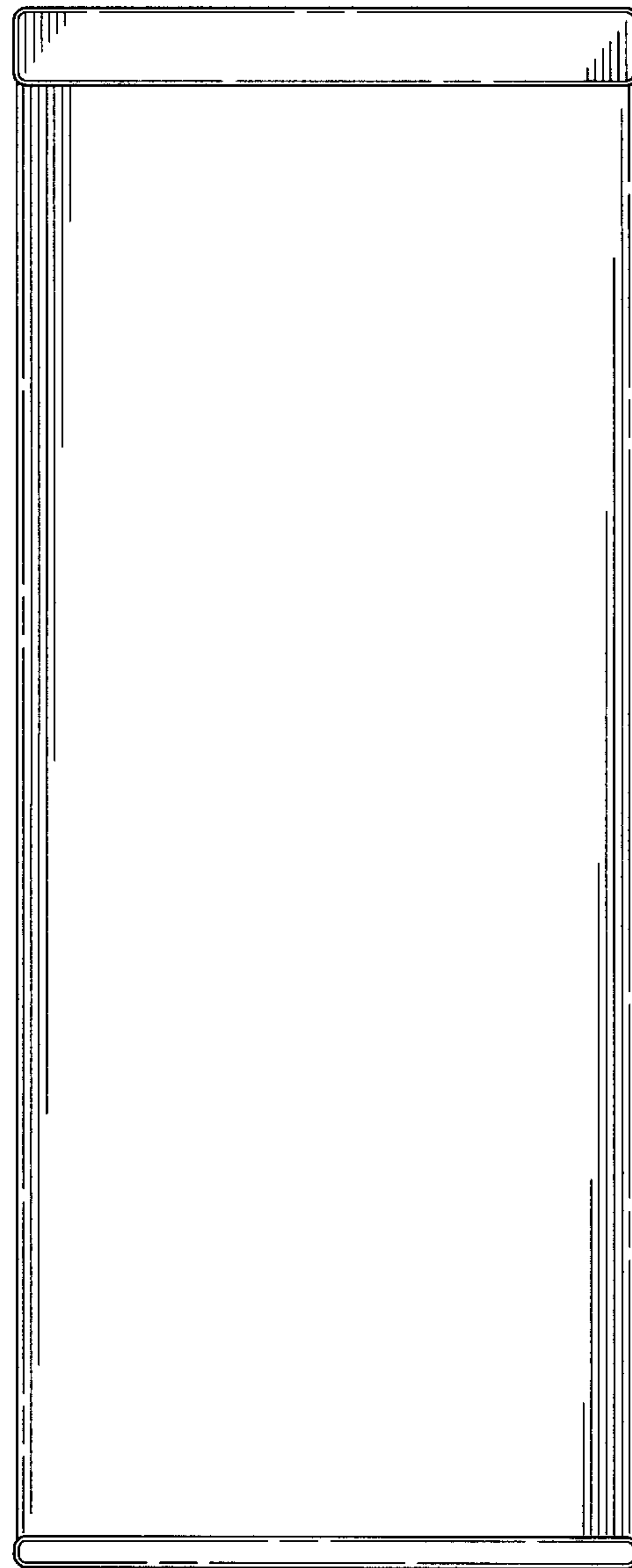


FIG. 9

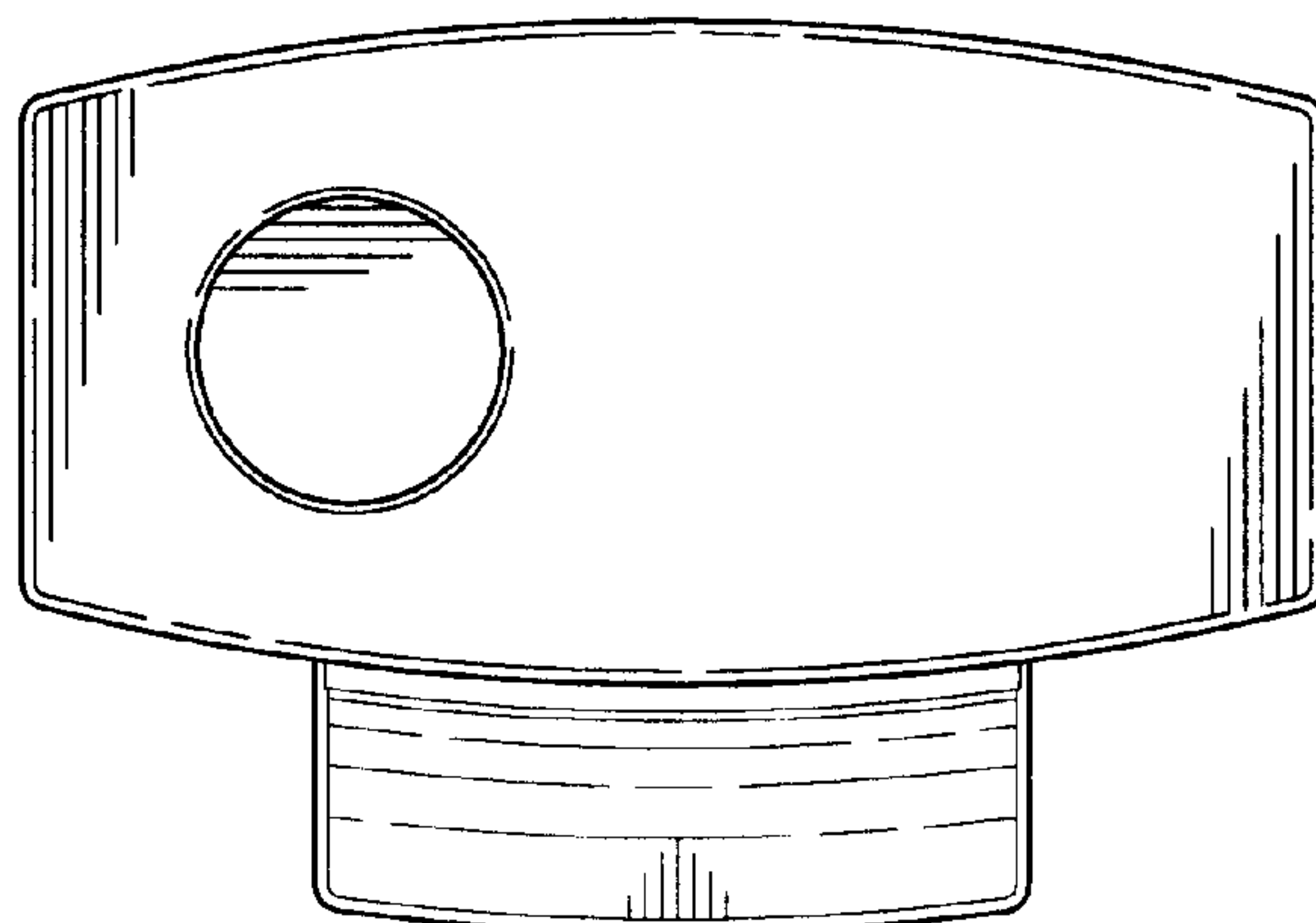


FIG. 10

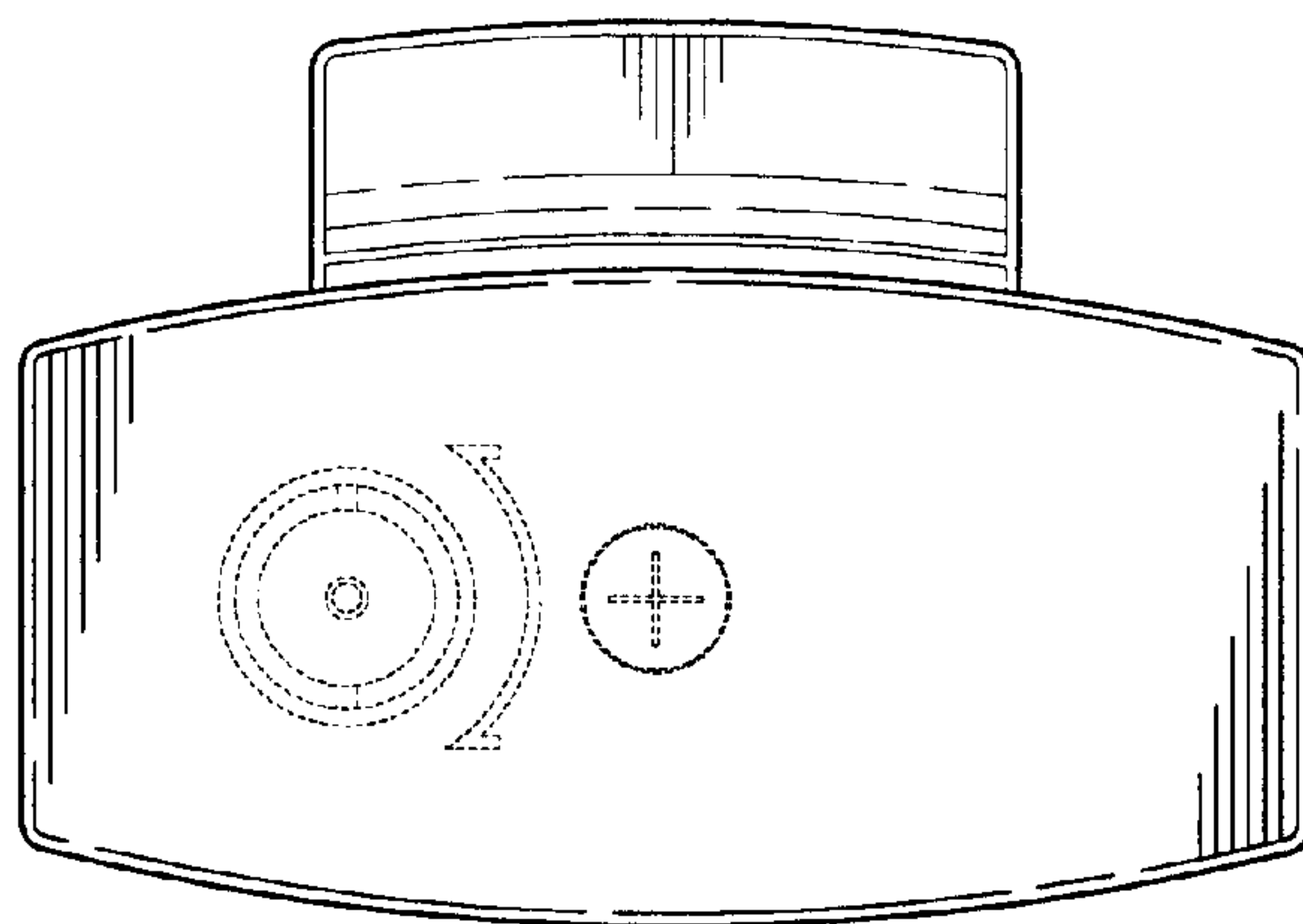


FIG. 11

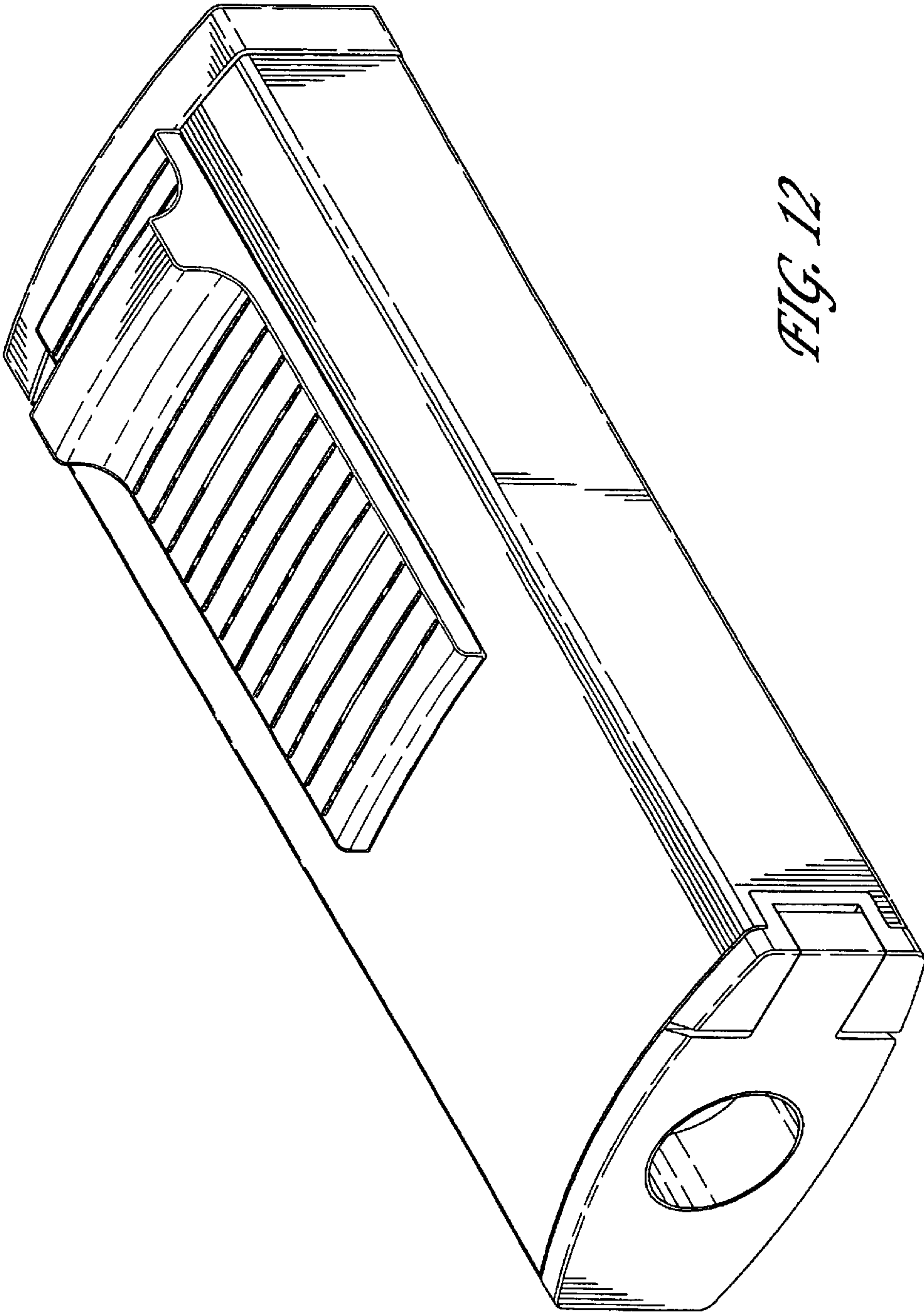


FIG. 12

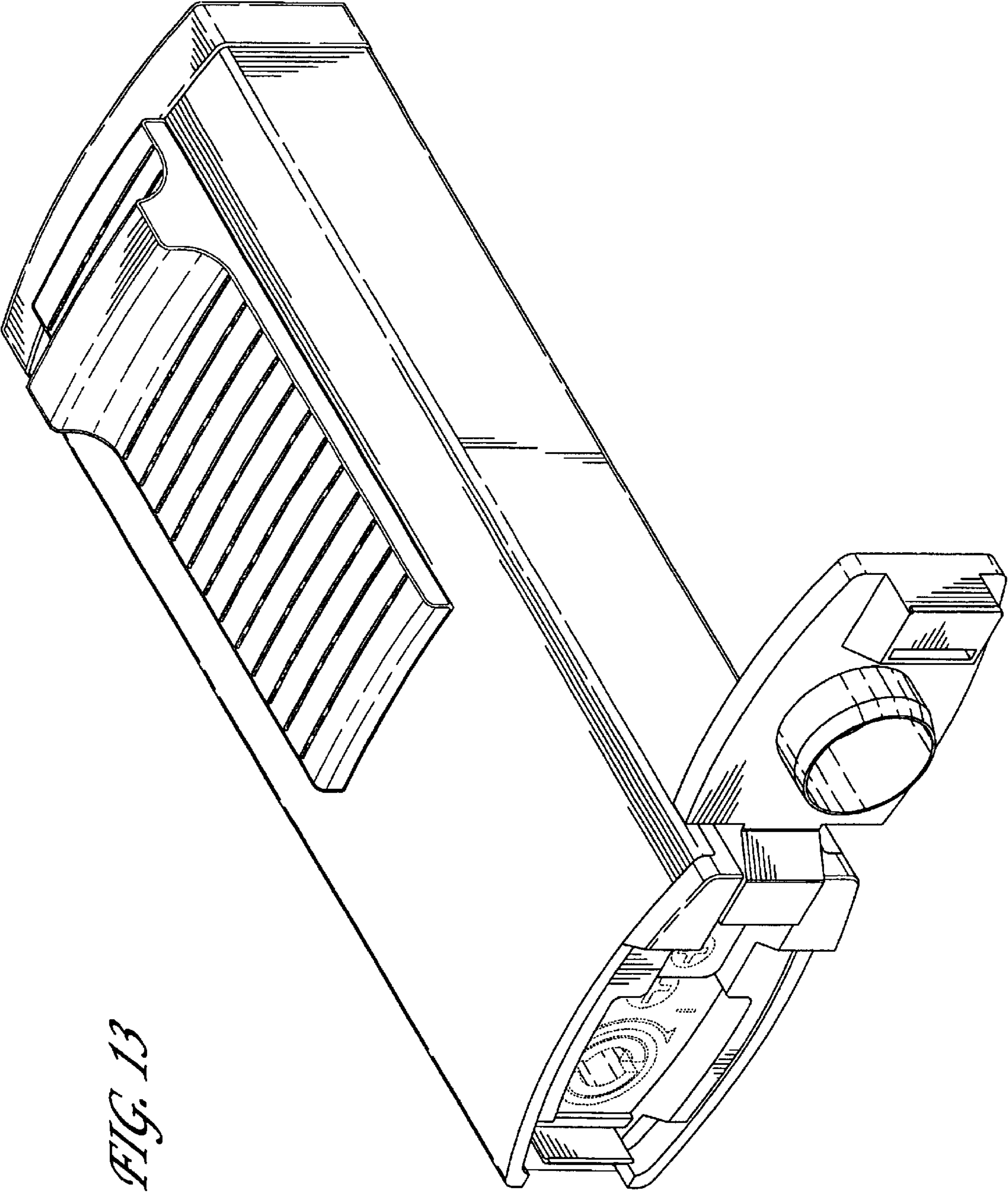


FIG. 13

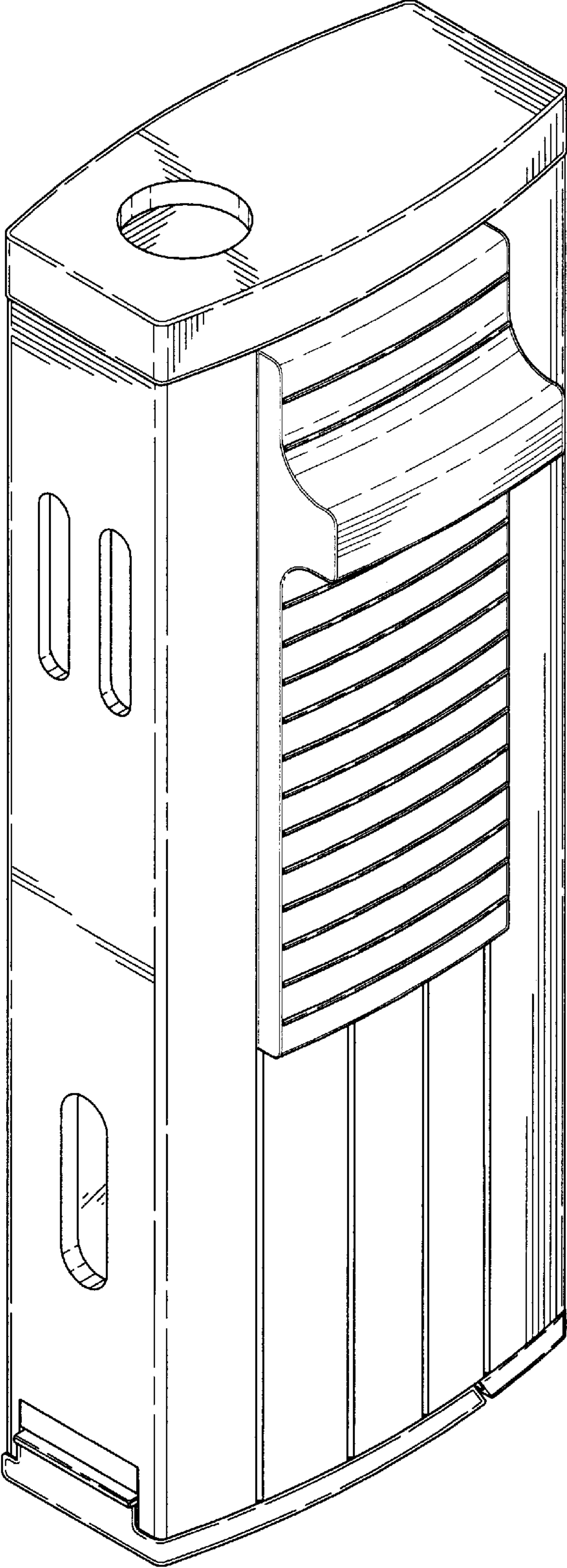


FIG. 14

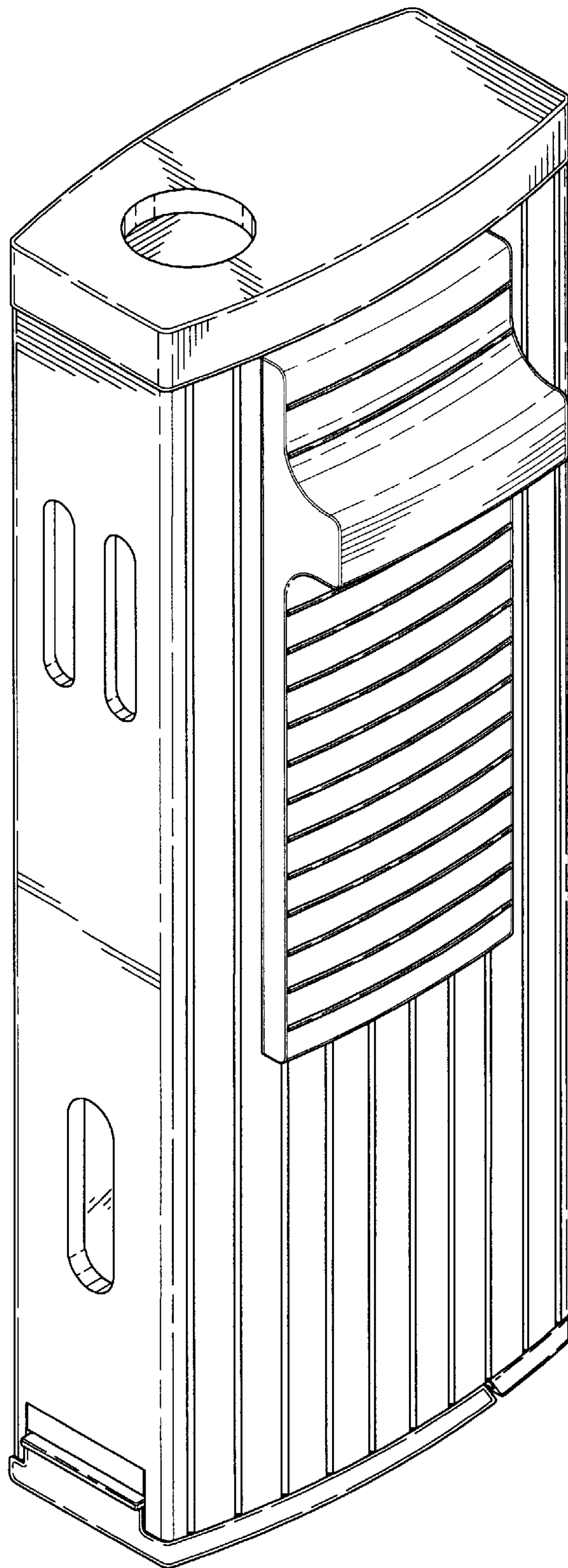


FIG. 15

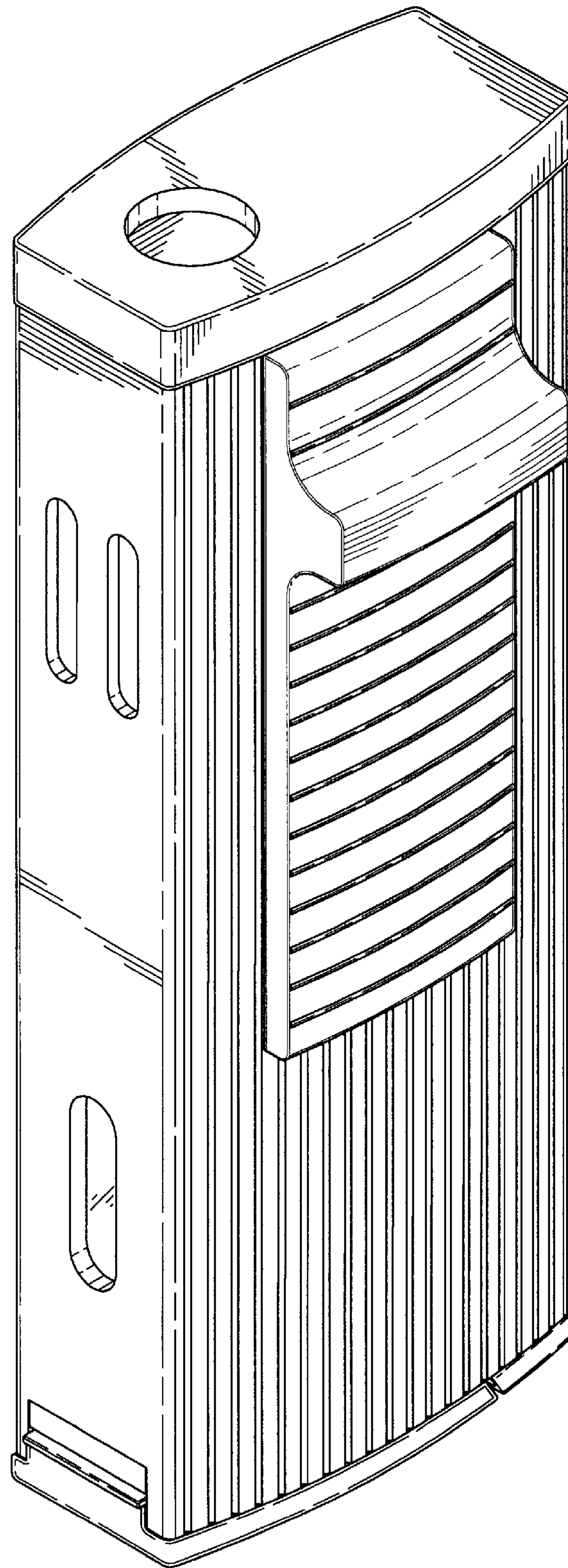


FIG. 16

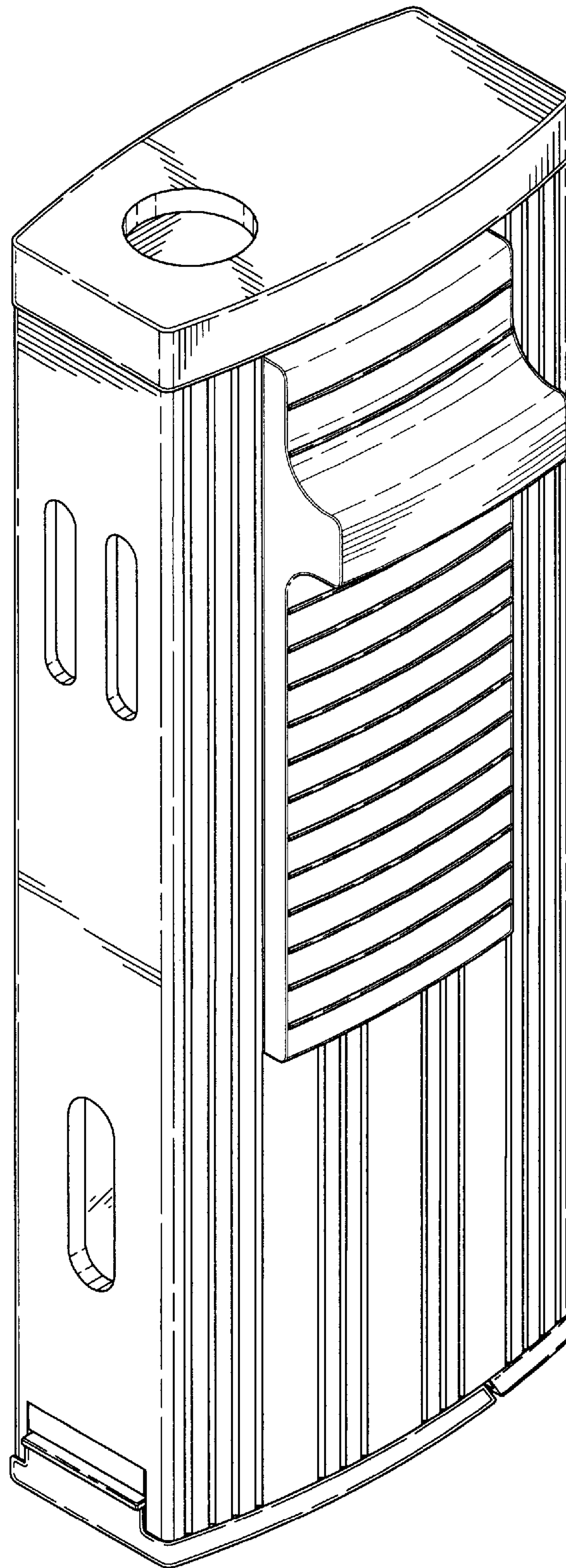


FIG. 17

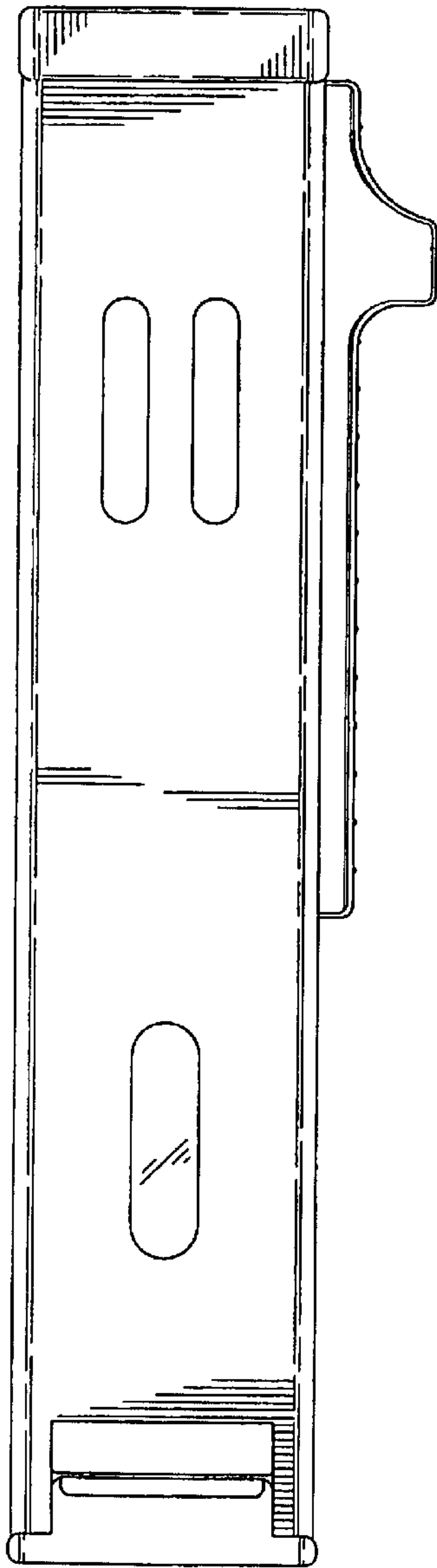


FIG. 18

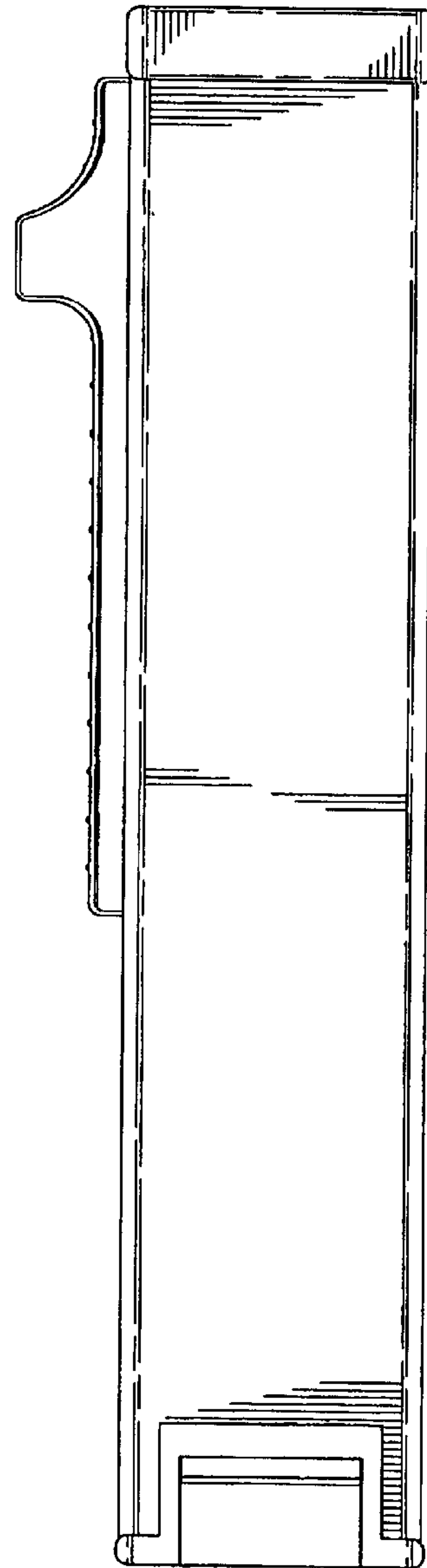


FIG. 19

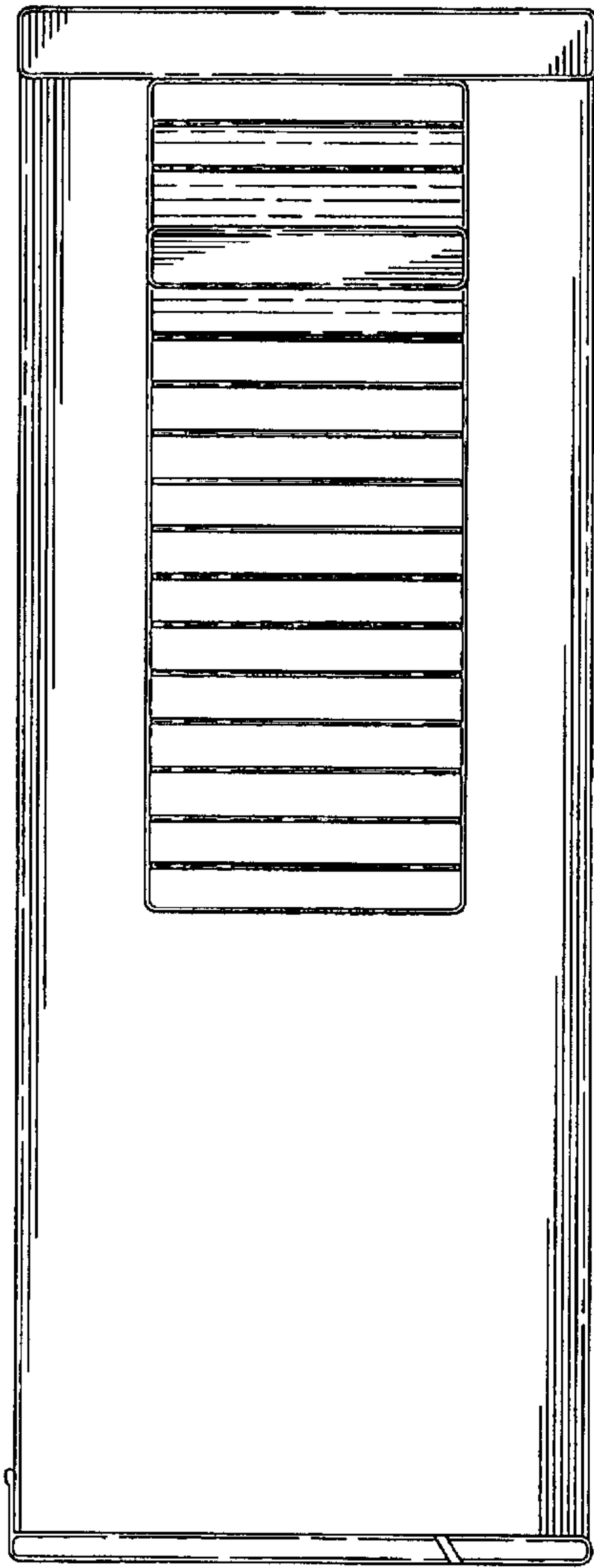


FIG. 20

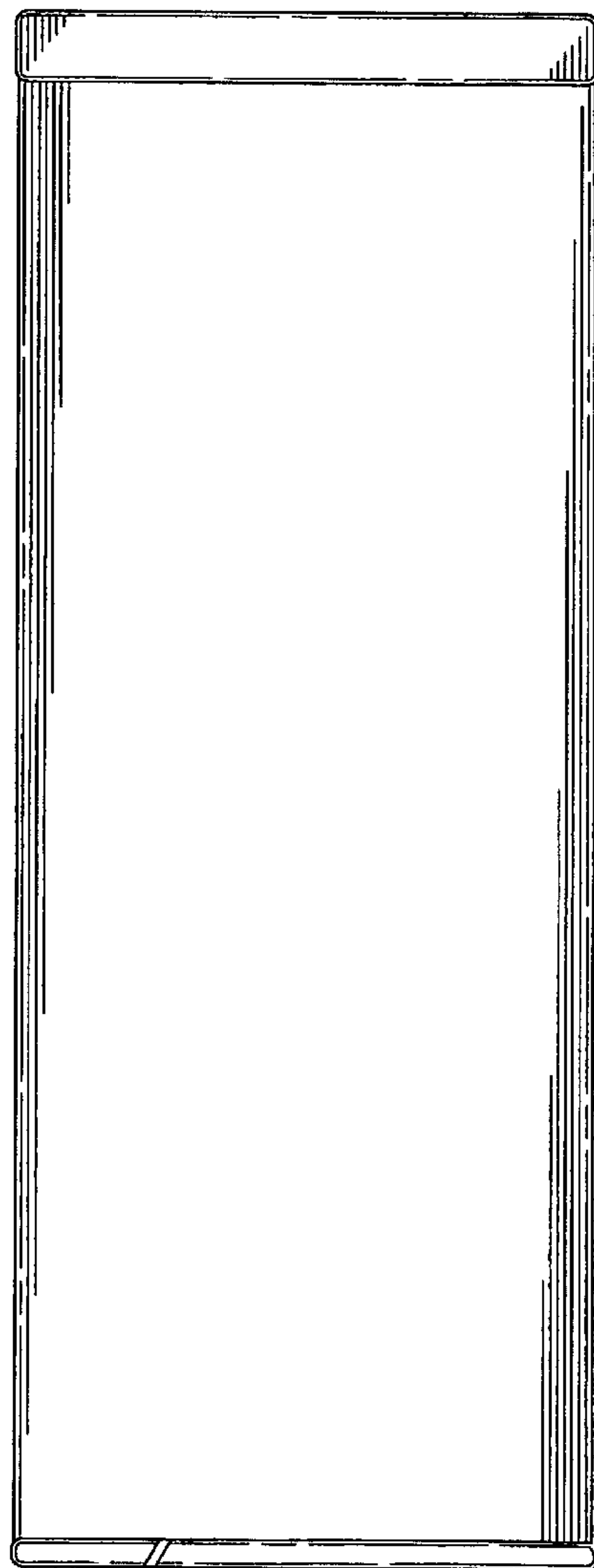


FIG. 21

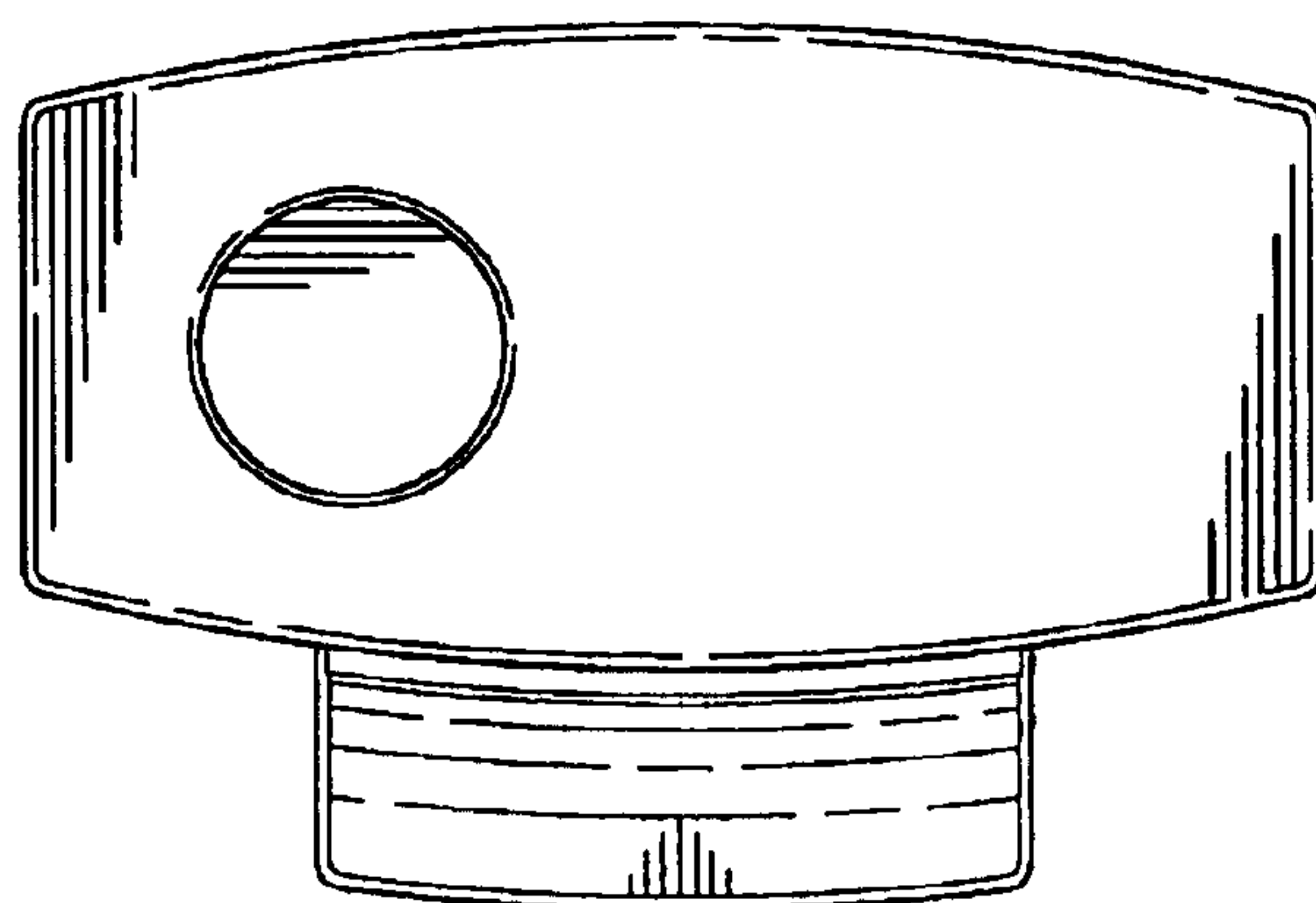


FIG. 22

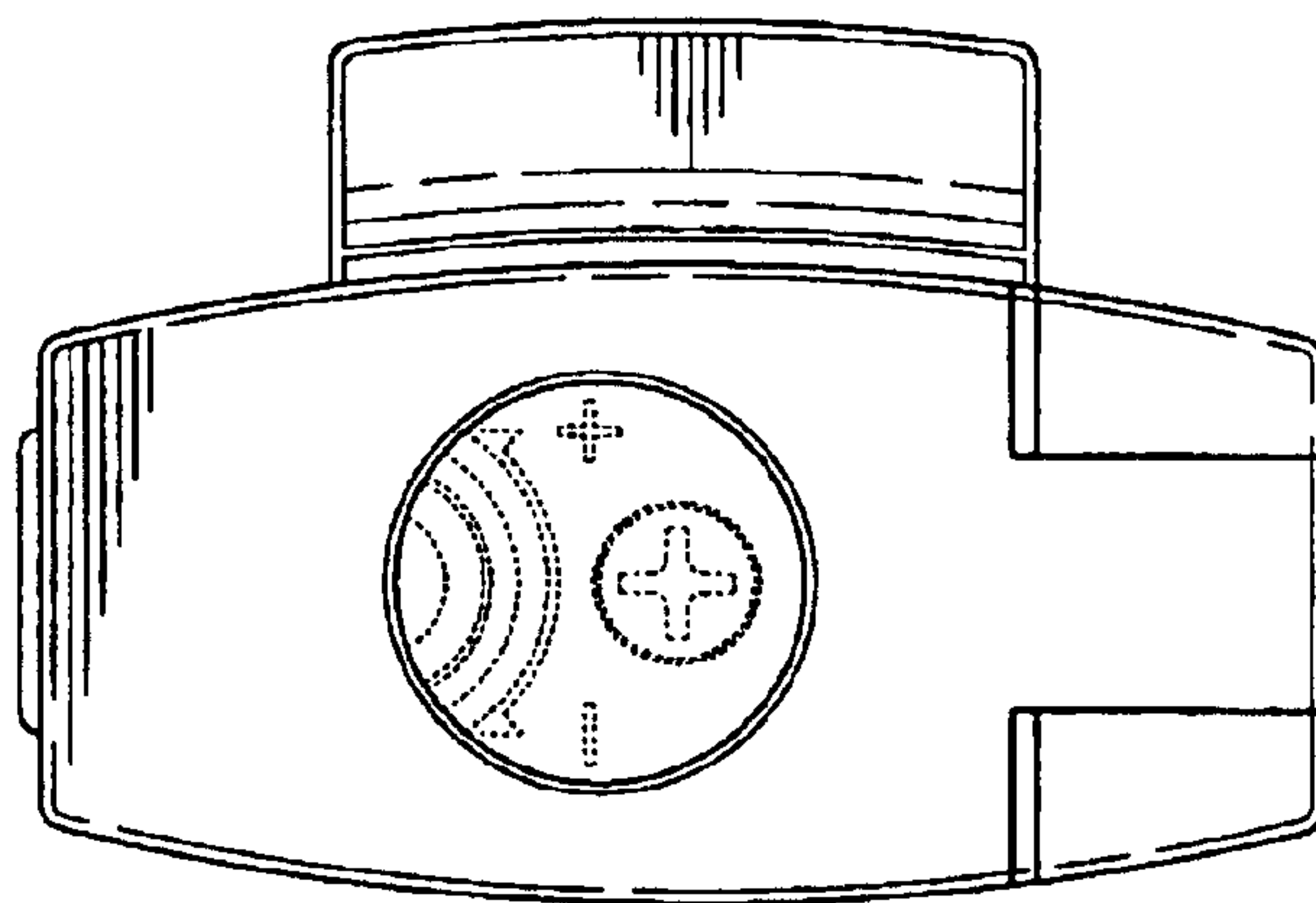


FIG. 23