

US00D539971S

(12) **United States Design Patent**
McDowell

(10) **Patent No.:** **US D539,971 S**

(45) **Date of Patent:** **** Apr. 3, 2007**

(54) **LAMPSHADE**

(75) Inventor: **Mark McDowell**, Davie, FL (US)

(73) Assignee: **Blumberg Industries, Inc.**, Miami Lakes, FL (US)

(**) Term: **14 Years**

(21) Appl. No.: **29/214,854**

(22) Filed: **Oct. 8, 2004**

(51) **LOC (8) Cl.** **26-99**

(52) **U.S. Cl.** **D26/118**

(58) **Field of Classification Search** D26/113,
D26/118, 119, 128, 120, 121, 130, 104, 67,
D26/153; 362/228, 363

See application file for complete search history.

(56) **References Cited**

U.S. PATENT DOCUMENTS

41,547	A	*	2/1864	Stratton	D26/128
546,611	A	*	9/1895	Gennert	362/228
D69,320	S	*	1/1926	Hall	D26/130
D190,759	S	*	6/1961	Schrechengost	D26/128
D192,286	S	*	2/1962	Delaney et al.	D25/158
3,315,074	A	*	4/1967	Wade et al.	362/363
D226,327	S	*	2/1973	Anderson, Jr.	D26/67
D226,535	S	*	3/1973	Anderson, Jr.	D26/67
4,079,245	A	*	3/1978	Baker	362/355
D265,001	S	*	6/1982	Graham	D26/104
D287,107	S	*	12/1986	Bergeron et al.	D10/121
D294,645	S	*	3/1988	Ewing et al.	D26/67
D303,434	S	*	9/1989	Ewing et al.	D26/67
D323,037	S	*	1/1992	Edwards	D26/118
D329,301	S	*	9/1992	Leonard	D26/104
D362,081	S	*	9/1995	Bilbrey	D26/120
D377,402	S	*	1/1997	Perkins	D26/135
D385,650	S	*	10/1997	Okros	D26/120
D437,451	S	*	2/2001	Johnson	D26/153
D463,613	S	*	9/2002	Block	D26/142
D482,158	S	*	11/2003	Velikov et al.	D26/128
D495,822	S	*	9/2004	Yoneda	D26/124

* cited by examiner

Primary Examiner—Freda S. Nunn

Assistant Examiner—Kevin K. Rudzinski

(74) *Attorney, Agent, or Firm*—McCormick, Paulding & Huber LLP

(57) **CLAIM**

The ornamental design for a lampshade, as shown and described.

DESCRIPTION

FIG. 1 is a front view of a lampshade comprising a first embodiment of the new, original and ornamental design, the rear, left-hand and right-hand side views being a mirror image thereof.

FIG. 2 is a bottom view of a lampshade comprising the first embodiment of the new, original and ornamental design.

FIG. 3 is a top view of a lampshade comprising the first embodiment of the new, original and ornamental design.

FIG. 4 is a front view of a lampshade comprising a second embodiment of the new, original and ornamental design, the rear, left-hand and right-hand side views being a mirror image thereof.

FIG. 5 is a bottom view of a lampshade comprising the second embodiment of the new, original and ornamental design.

FIG. 6 is a top view of a lampshade comprising the second embodiment of the new, original and ornamental design.

FIG. 7 is a front view of a lampshade comprising a third embodiment of the new, original and ornamental design, the rear, left-hand and right-hand side views being a mirror image thereof.

FIG. 8 is a bottom view of a lampshade comprising the third embodiment of the new, original and ornamental design.

FIG. 9 is a top view of a lampshade comprising the third embodiment of the new, original and ornamental design.

FIG. 10 is a front view of a lampshade comprising a fourth embodiment of the new, original and ornamental design, the rear, left-hand and right-hand side views being a mirror image thereof.

FIG. 11 is a bottom view of a lampshade comprising the fourth embodiment of the new, original and ornamental design.

FIG. 12 is a top view of a lampshade comprising the fourth embodiment of the new, original and ornamental design.

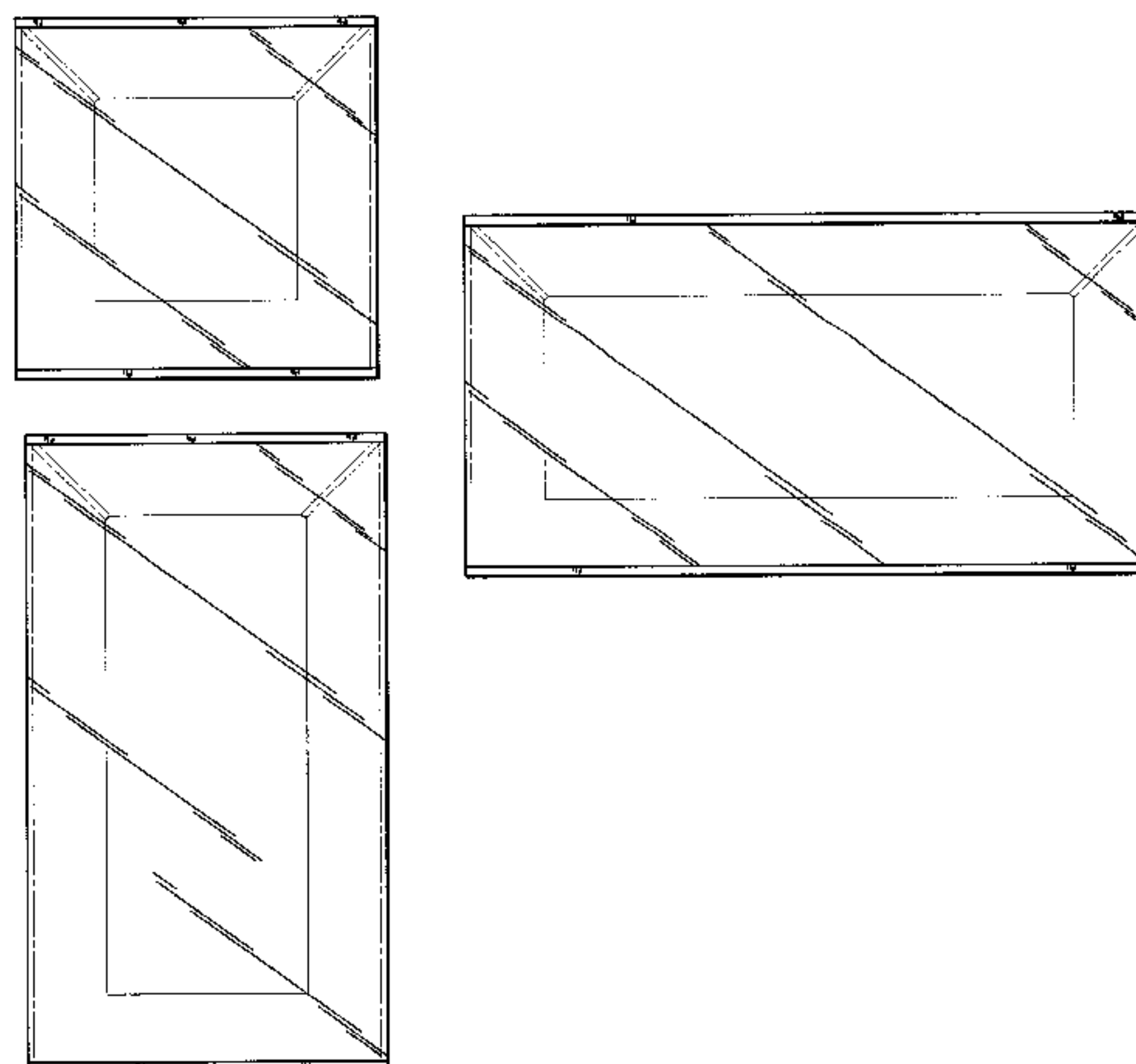


FIG. 13 is a front view of a lampshade comprising a fifth embodiment of the new, original and ornamental design, the rear, left-hand and right-hand side views being a mirror image thereof.

FIG. 14 is a bottom view of a lampshade comprising the fifth embodiment of the new, original and ornamental design.

FIG. 15 is a top view of a lampshade comprising the fifth embodiment of the new, original and ornamental design.

FIG. 16 is a front view of a lampshade comprising a sixth embodiment of the new, original and ornamental design, the rear, left-hand and right-hand side views being a mirror image thereof.

FIG. 17 is a bottom view of a lampshade comprising the sixth embodiment of the new, original and ornamental design.

FIG. 18 is a top view of a lampshade comprising the sixth embodiment of the new, original and ornamental design.

FIG. 19 is a front view of a lampshade comprising a seventh embodiment of the new, original and ornamental design, the rear, left-hand and right-hand side views being a mirror image thereof.

FIG. 20 is a bottom view of a lampshade comprising the seventh embodiment of the new, original and ornamental design.

FIG. 21 is a top view of a lampshade comprising the seventh embodiment of the new, original and ornamental design.

FIG. 22 is a front view of a lampshade comprising an eighth embodiment of the new, original and ornamental design, the rear, left-hand and right-hand side views being a mirror image thereof.

FIG. 23 is a bottom view of a lampshade comprising the eighth embodiment of the new, original and ornamental design.

FIG. 24 is a top view of a lampshade comprising the eighth embodiment of the new, original and ornamental design.

FIG. 25 is a front view of a lampshade comprising the ninth embodiment of the new, original and ornamental design, the rear view being a mirror image thereof.

FIG. 26 is a right-hand side view of a lampshade comprising the ninth embodiment of the new, original and ornamental design, the left-hand side being a mirror image thereof.

FIG. 27 is a bottom view of a lampshade comprising the ninth embodiment of the new, original and ornamental design.

FIG. 28 is a top view of a lampshade comprising the ninth embodiment of the new, original and ornamental design.

FIG. 29 is a front view of a lampshade comprising the tenth embodiment of the new, original and ornamental design, the rear view being a mirror image thereof.

FIG. 30 is a right-hand side view of a lampshade comprising the tenth embodiment of the new, original and ornamental design, the left-hand side being a mirror image thereof.

FIG. 31 is a bottom view of a lampshade comprising the tenth embodiment of the new, original and ornamental design.

FIG. 32 is a top view of a lampshade comprising the tenth embodiment of the new, original and ornamental design.

FIG. 33 is a front view of a lampshade comprising the eleventh embodiment of the new, original and ornamental design, the rear view being a mirror image thereof.

FIG. 34 is a right-hand side view of a lampshade comprising the eleventh embodiment of the new, original and ornamental design, the left-hand side being a mirror image thereof.

FIG. 35 is a bottom view of a lampshade comprising the eleventh embodiment of the new, original and ornamental design.

FIG. 36 is a top view of a lampshade comprising the eleventh embodiment of the new, original and ornamental design.

FIG. 37 is a front view of a lampshade comprising the twelfth embodiment of the new, original and ornamental design, the rear view being a mirror image thereof.

FIG. 38 is a right-hand side view of a lampshade comprising the twelfth embodiment of the new, original and ornamental design, the left-hand side being a mirror image thereof.

FIG. 39 is a bottom view of a lampshade comprising the twelfth embodiment of the new, original and ornamental design; and,

FIG. 40 is a top view of a lampshade comprising the twelfth embodiment of the new, original and ornamental design.

1 Claim, 16 Drawing Sheets

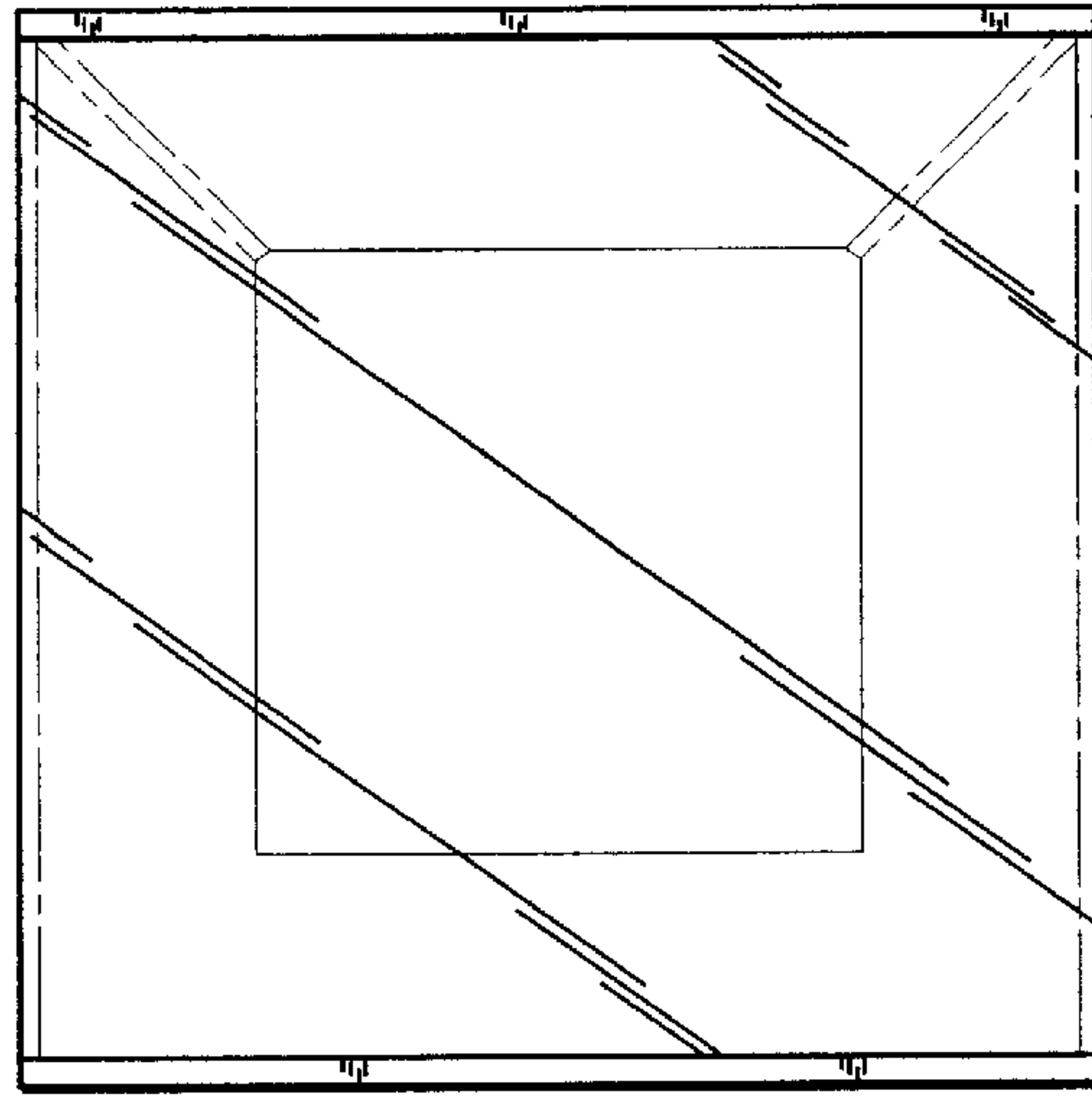


FIG. 1

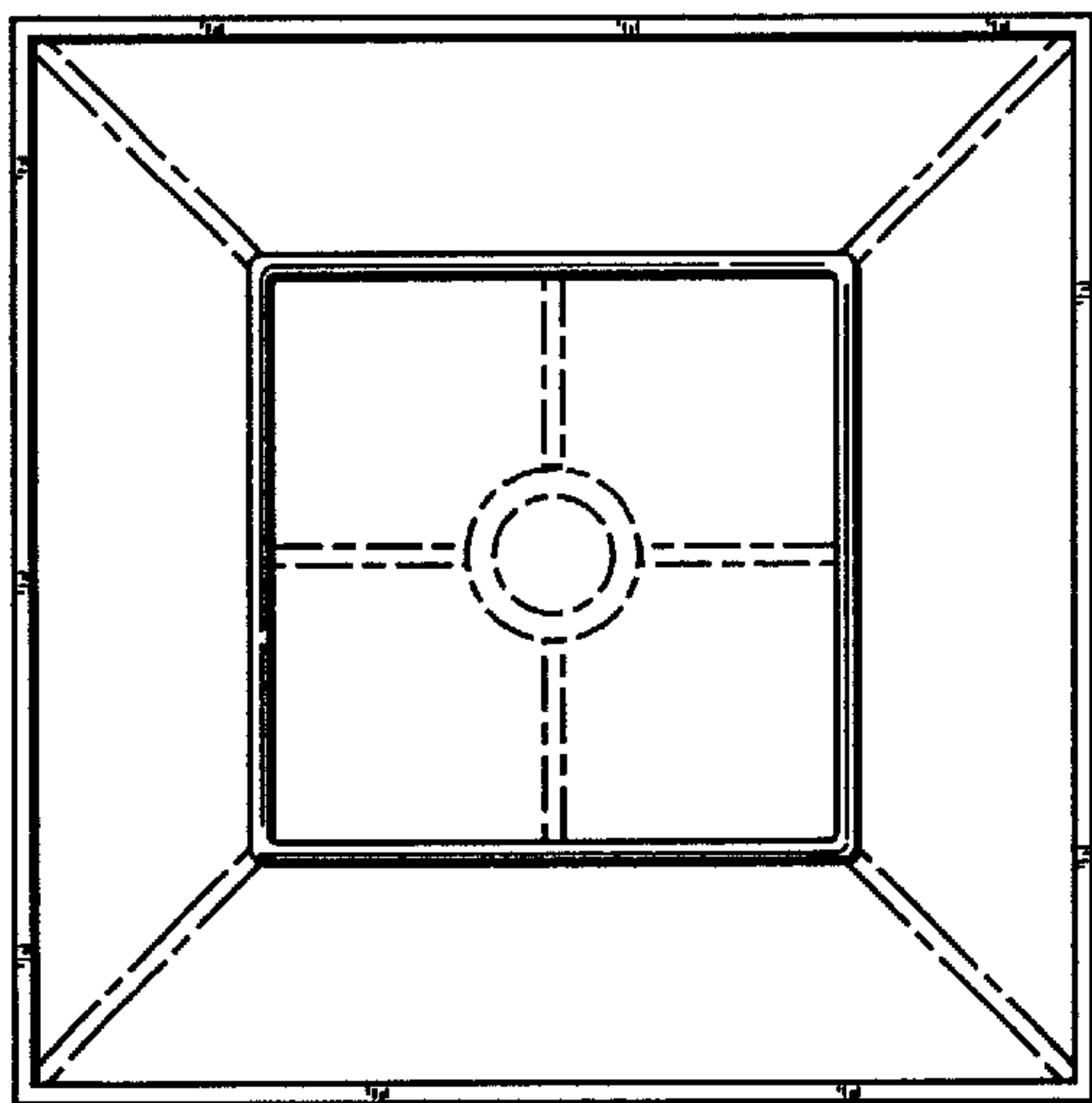


FIG. 2

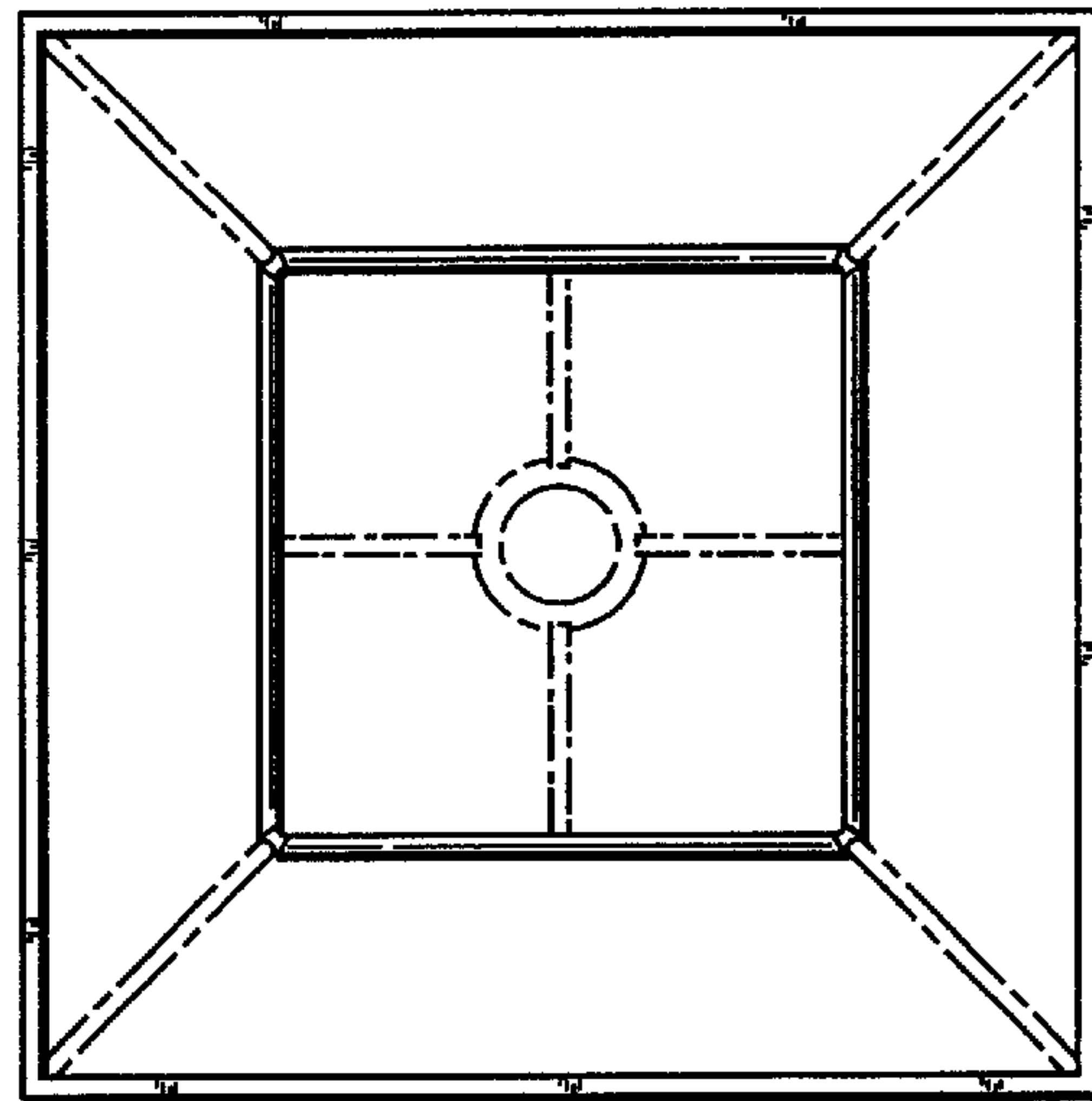


FIG. 3

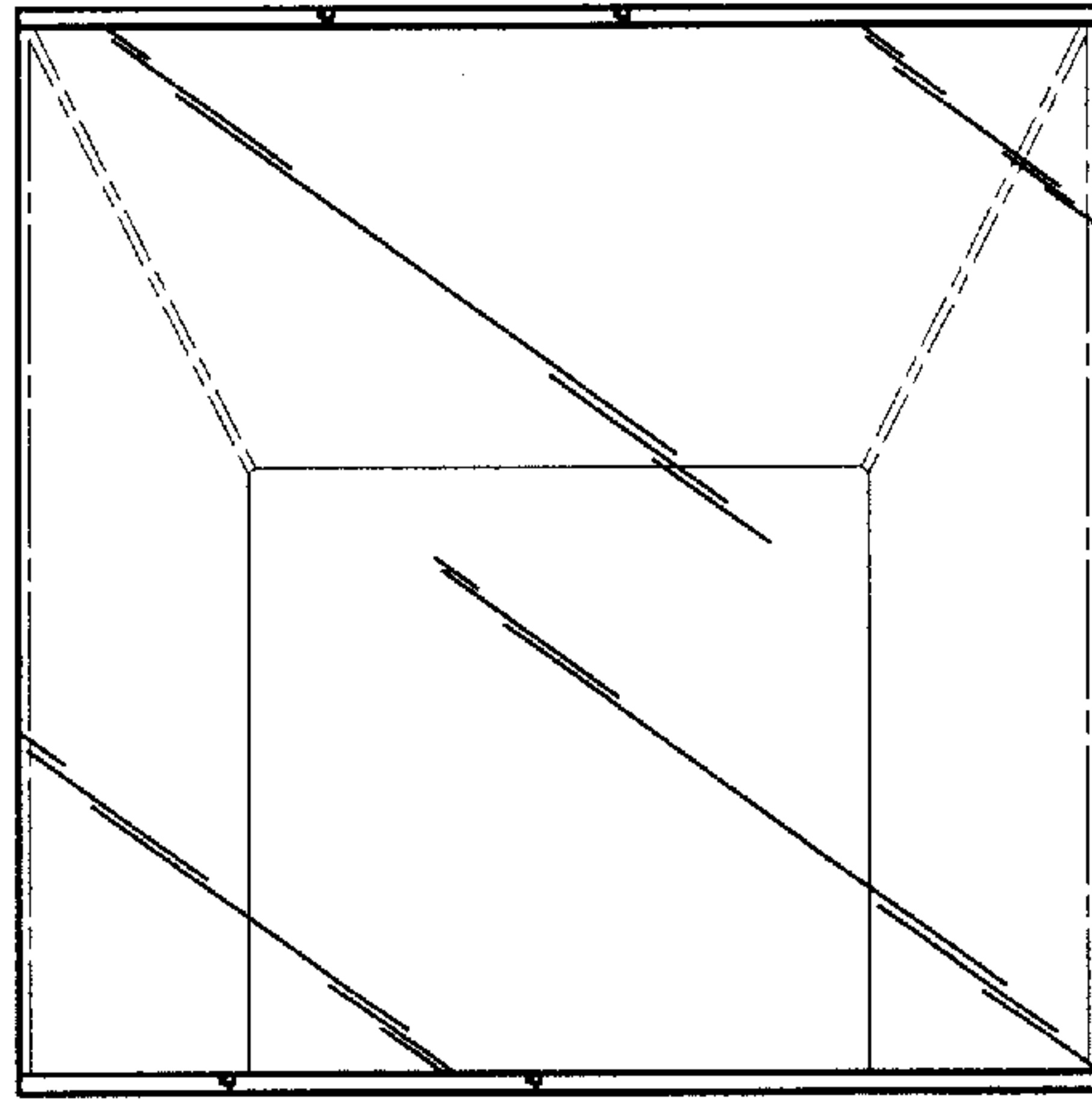


FIG. 4

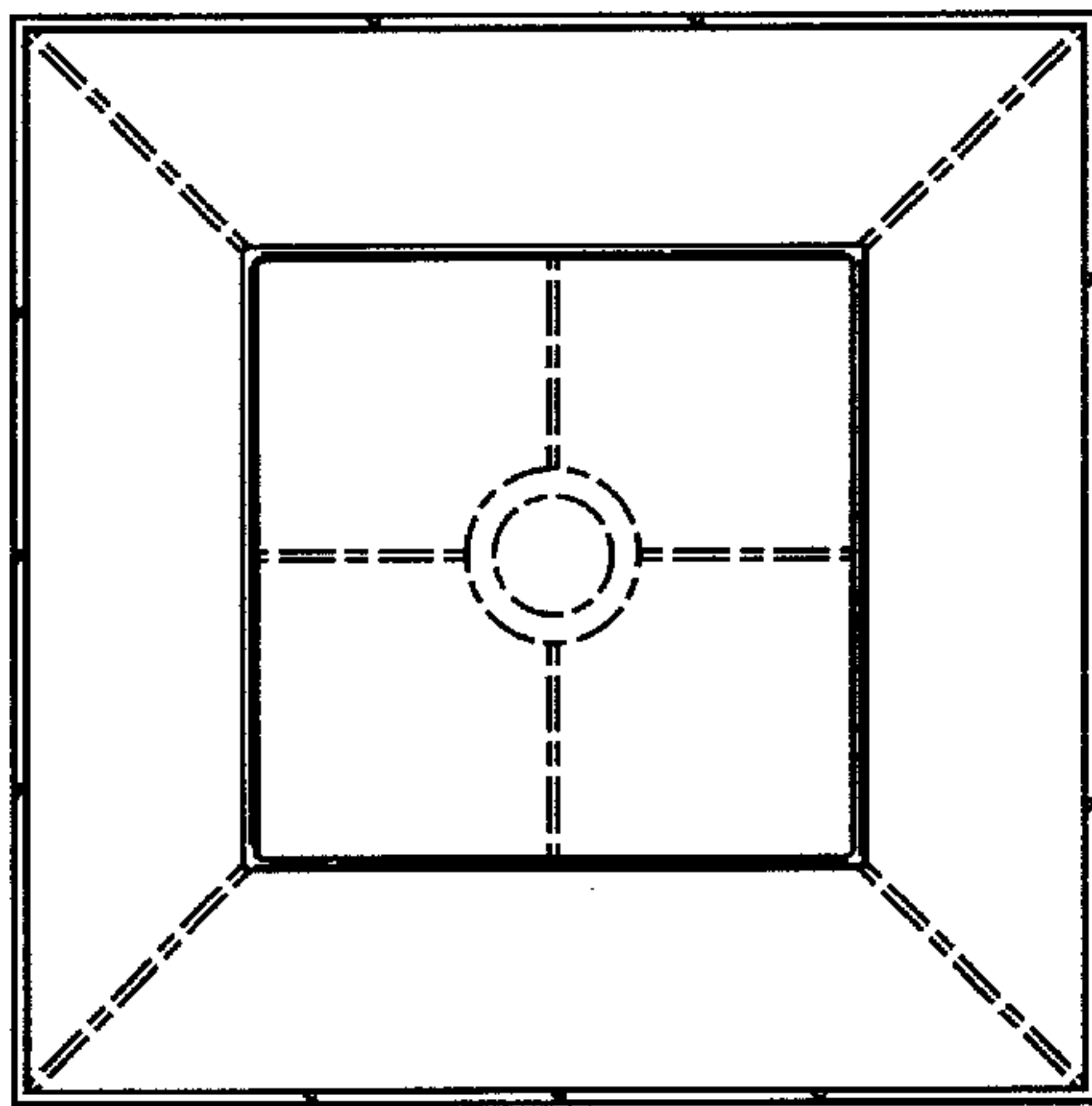


FIG. 5

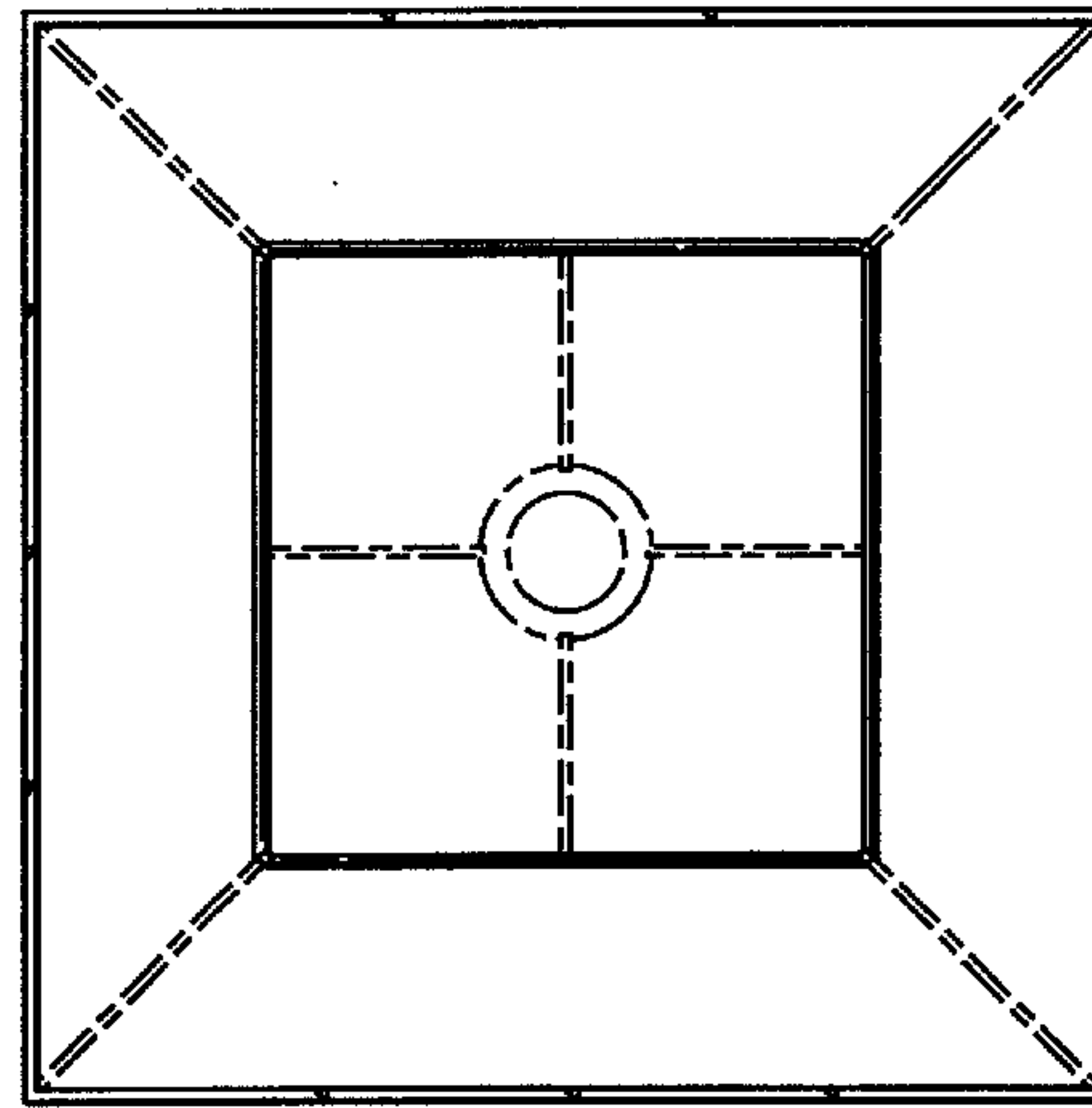


FIG. 6

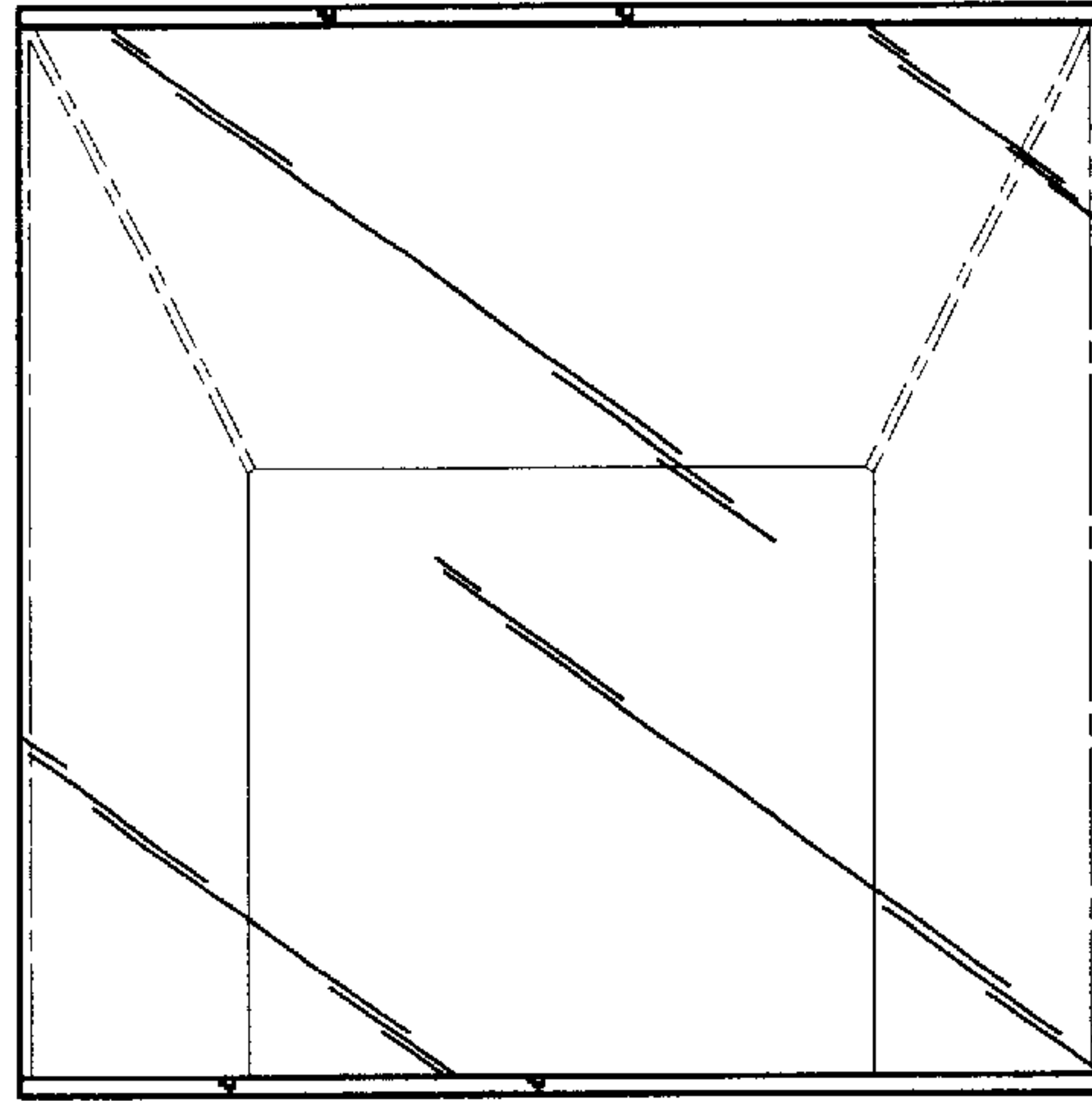


FIG. 7

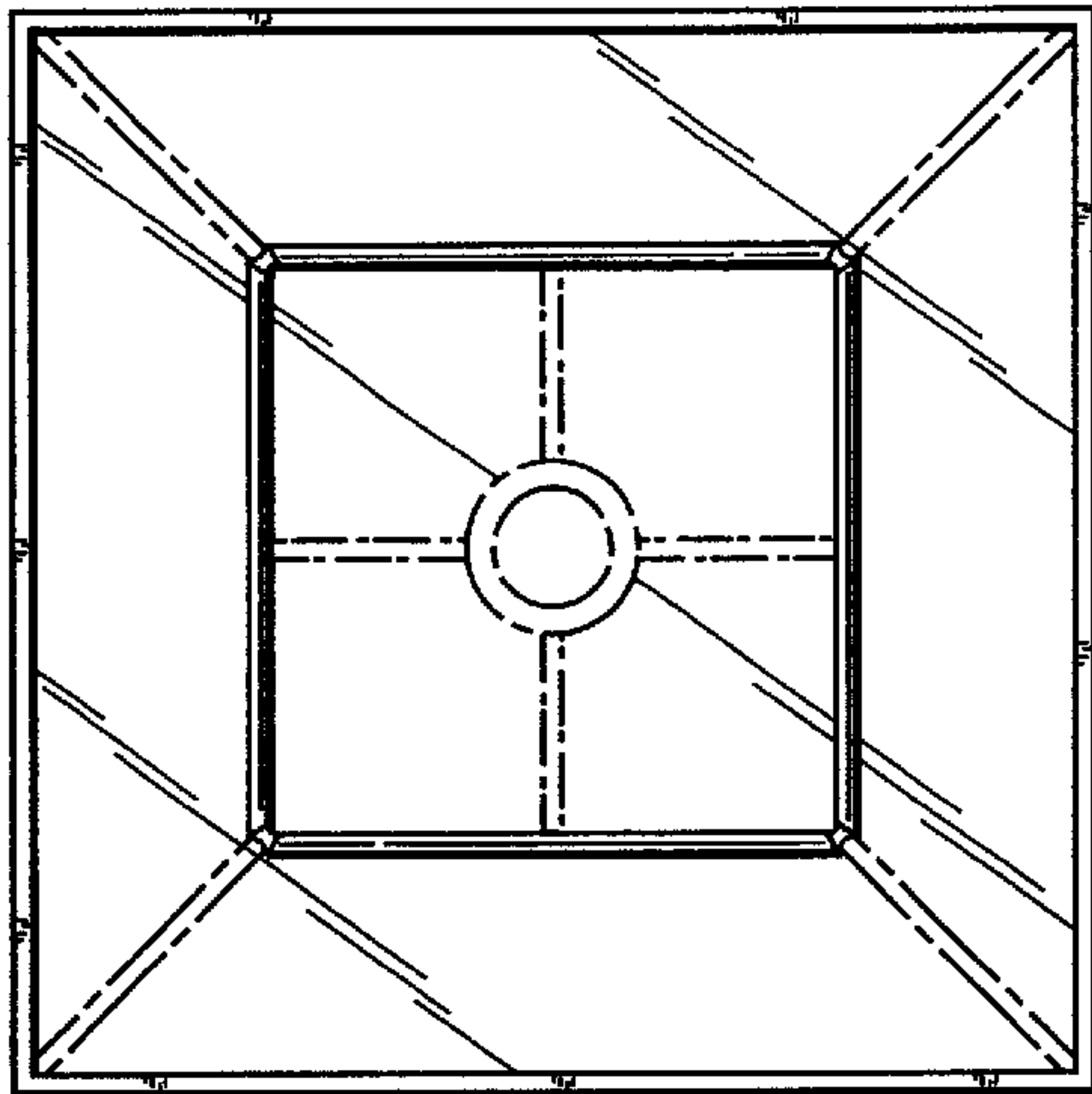


FIG. 8

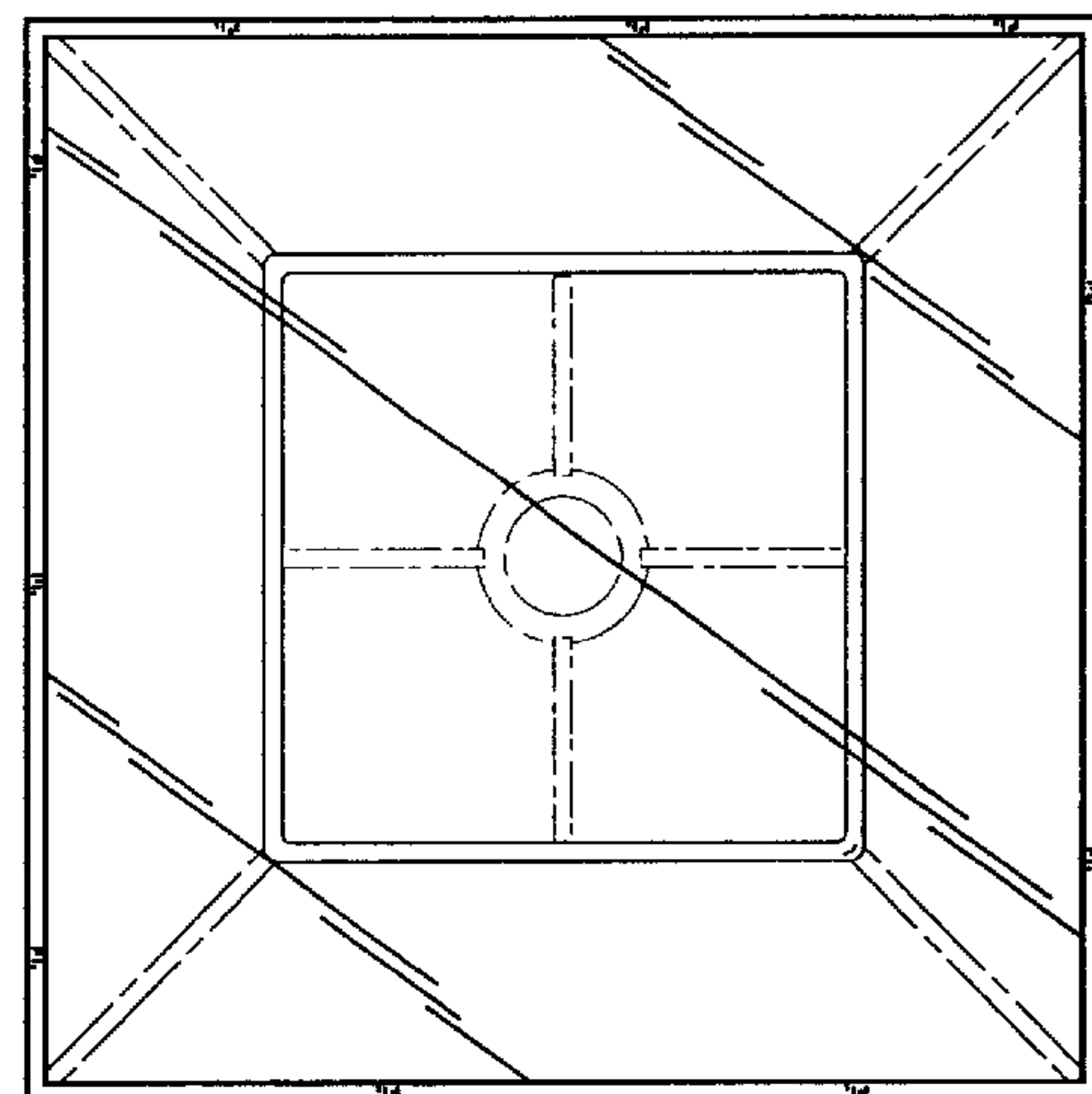


FIG. 9

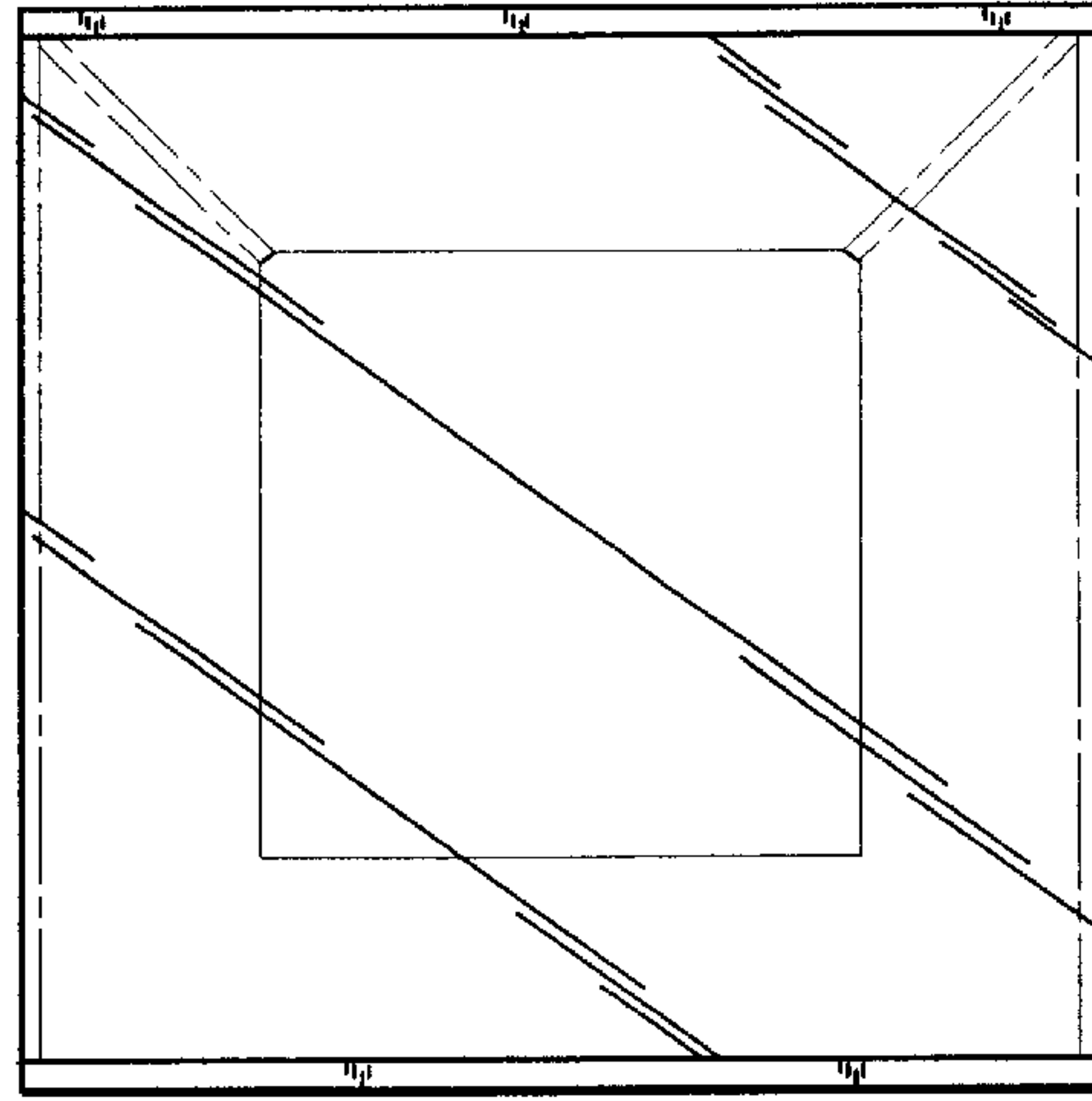


FIG. 10

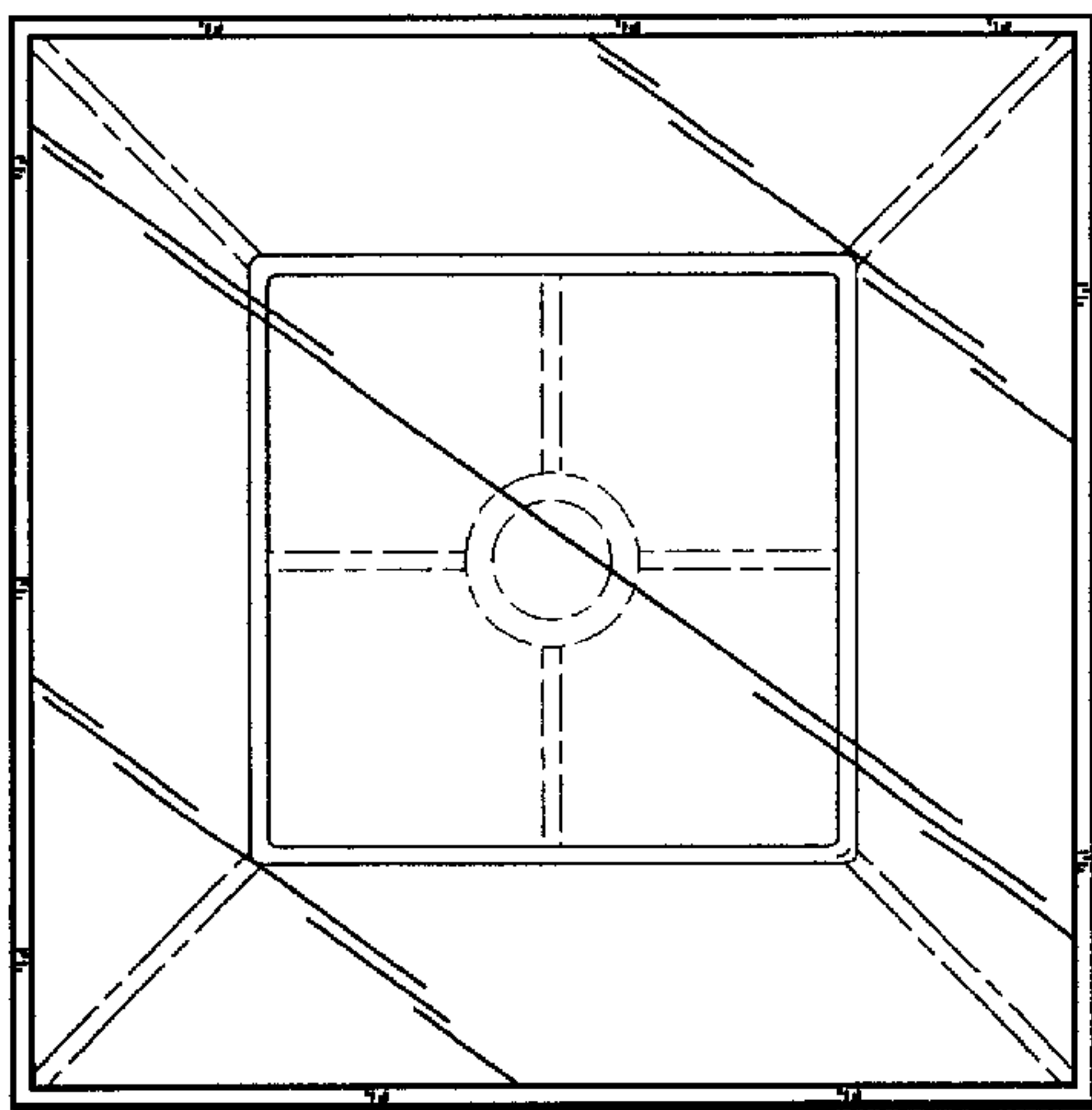


FIG. 11

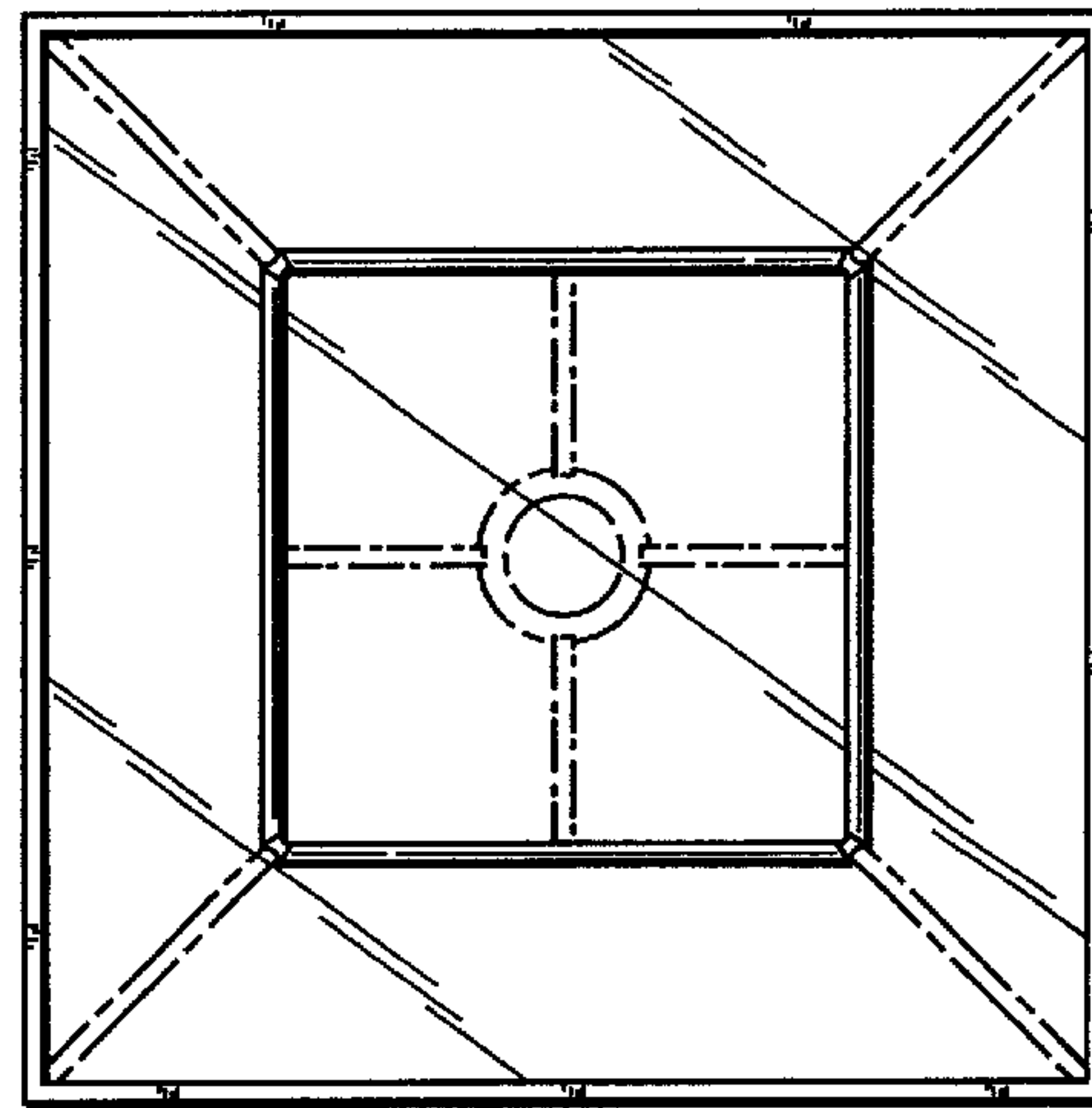


FIG. 12

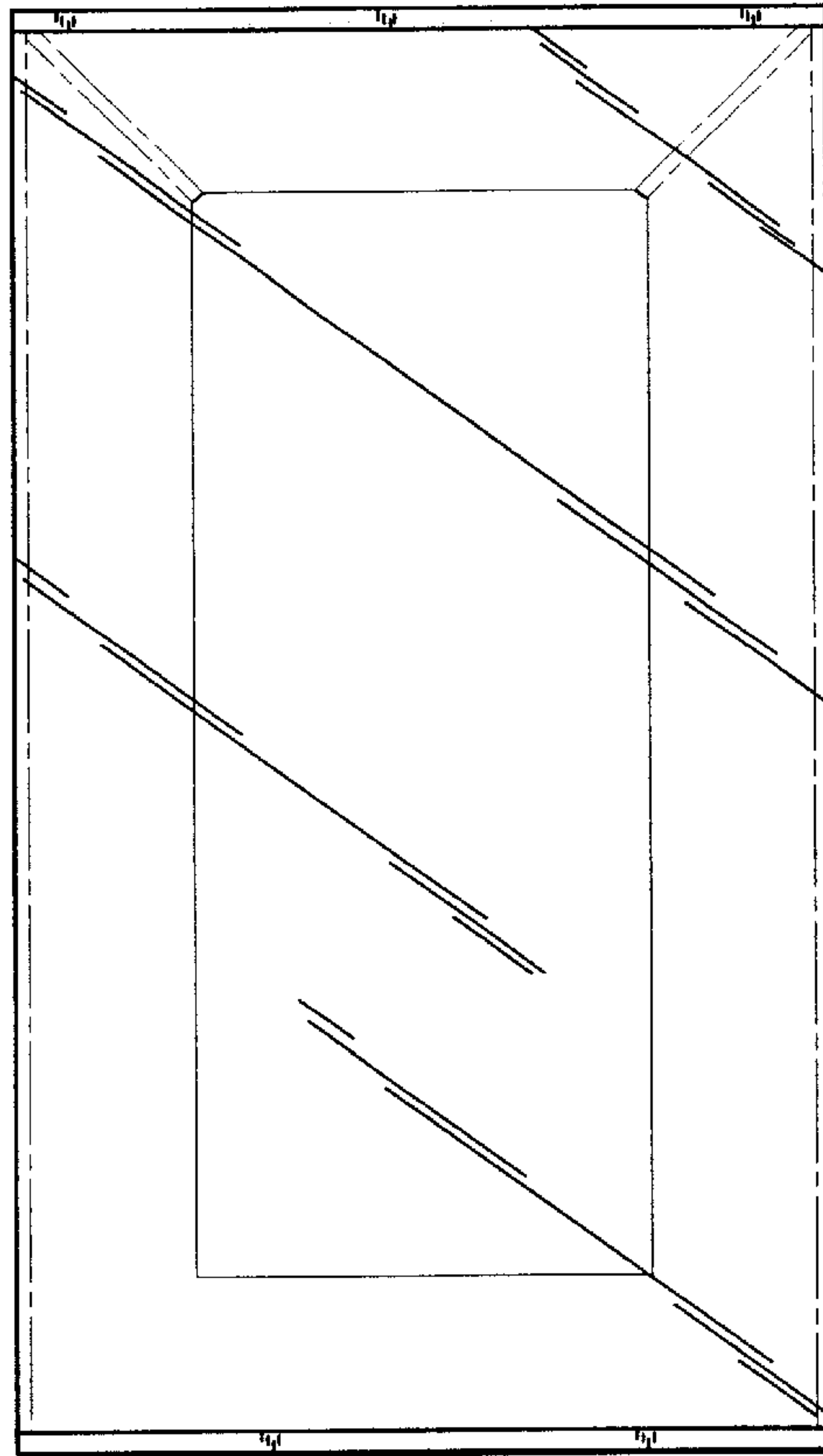


FIG. 13

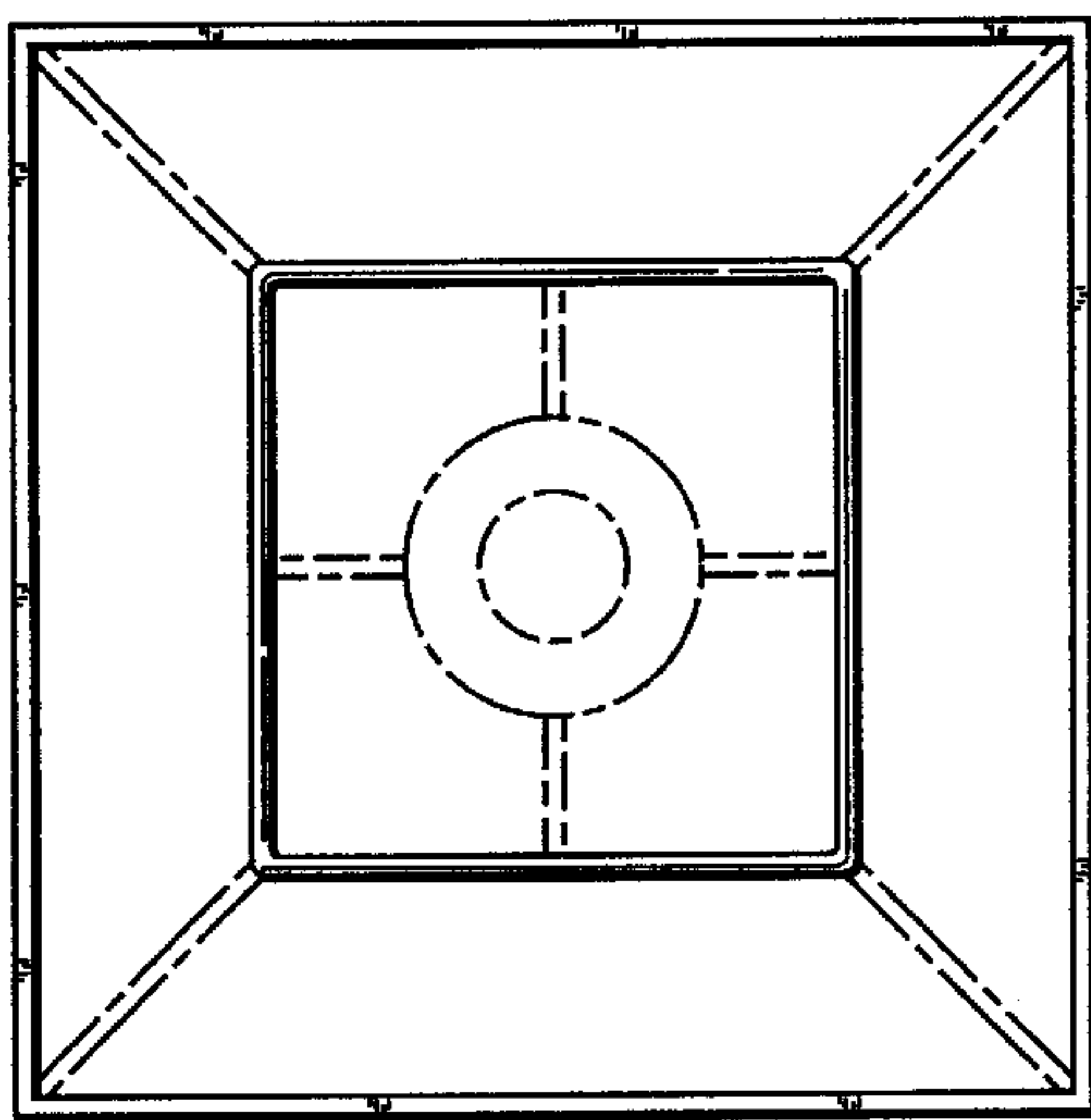


FIG. 14

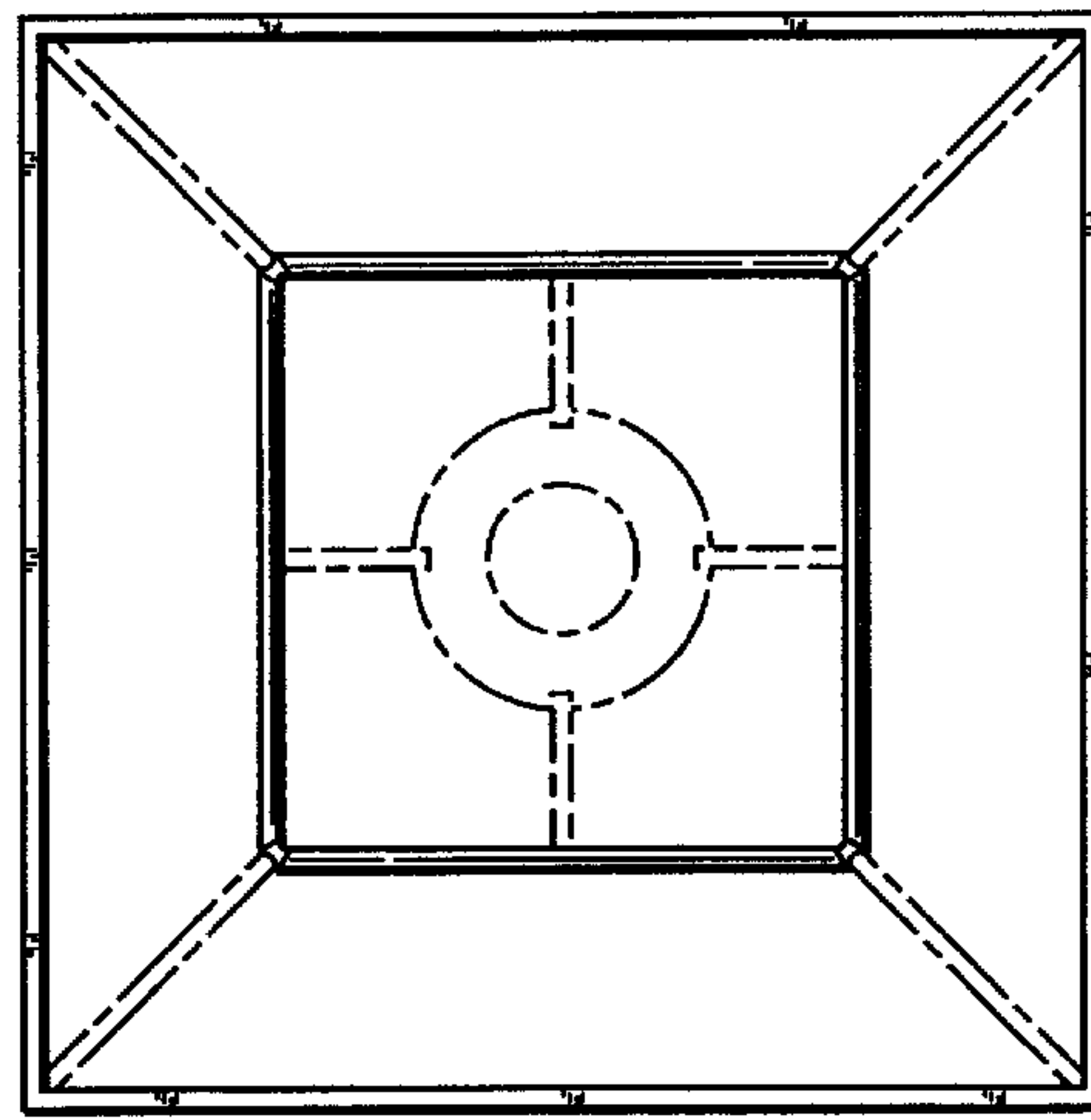


FIG. 15

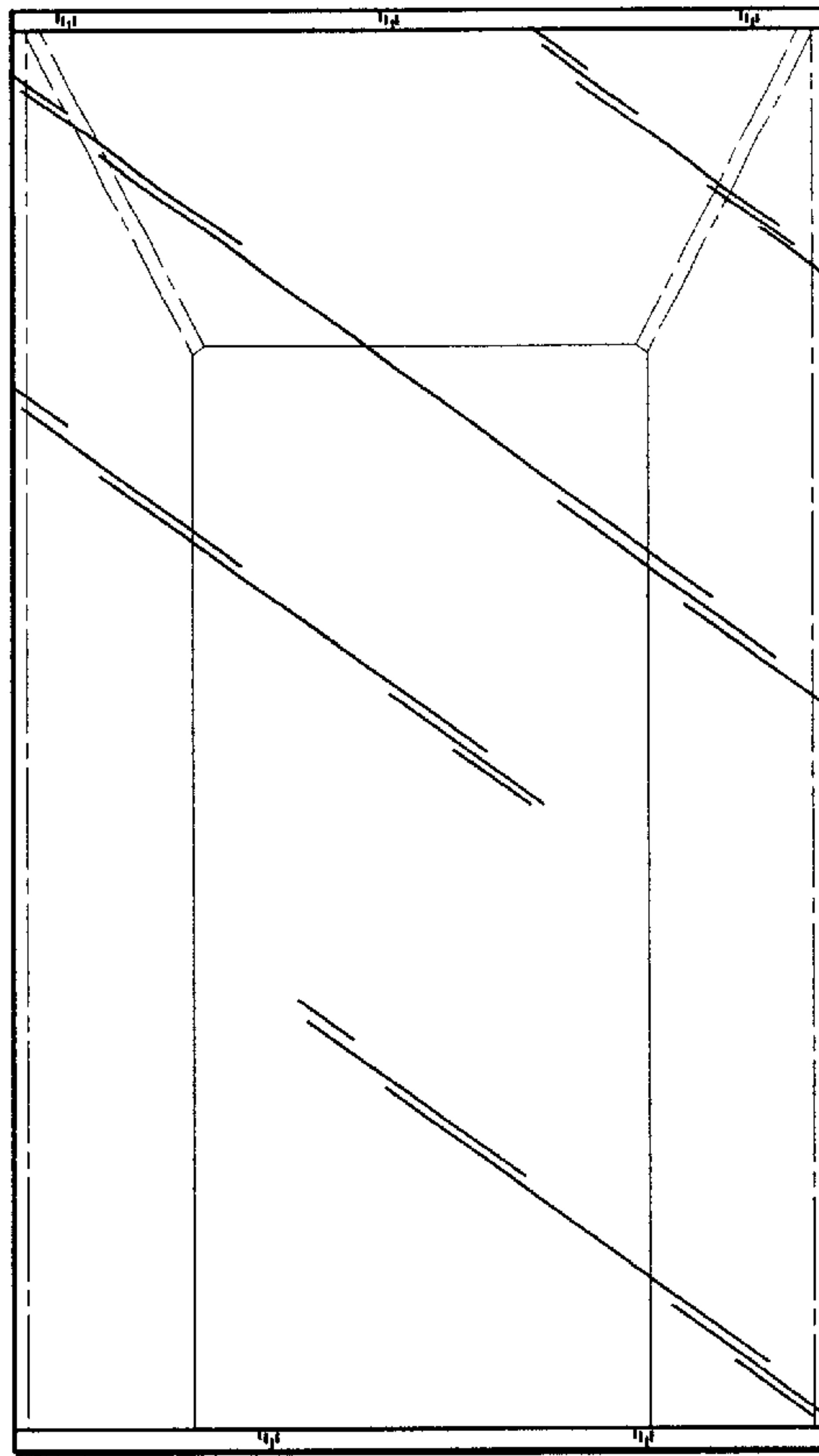


FIG. 16

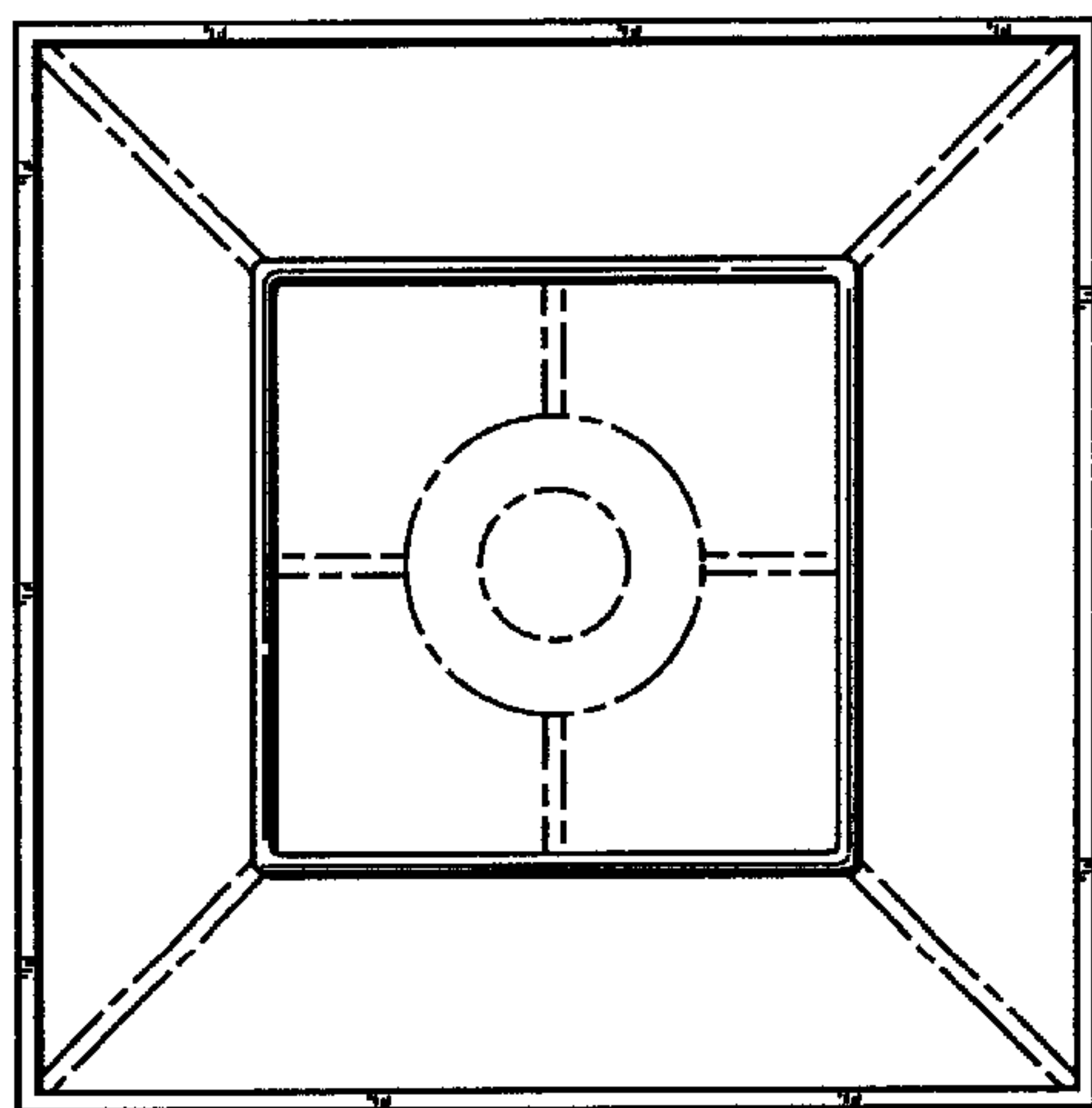


FIG. 17

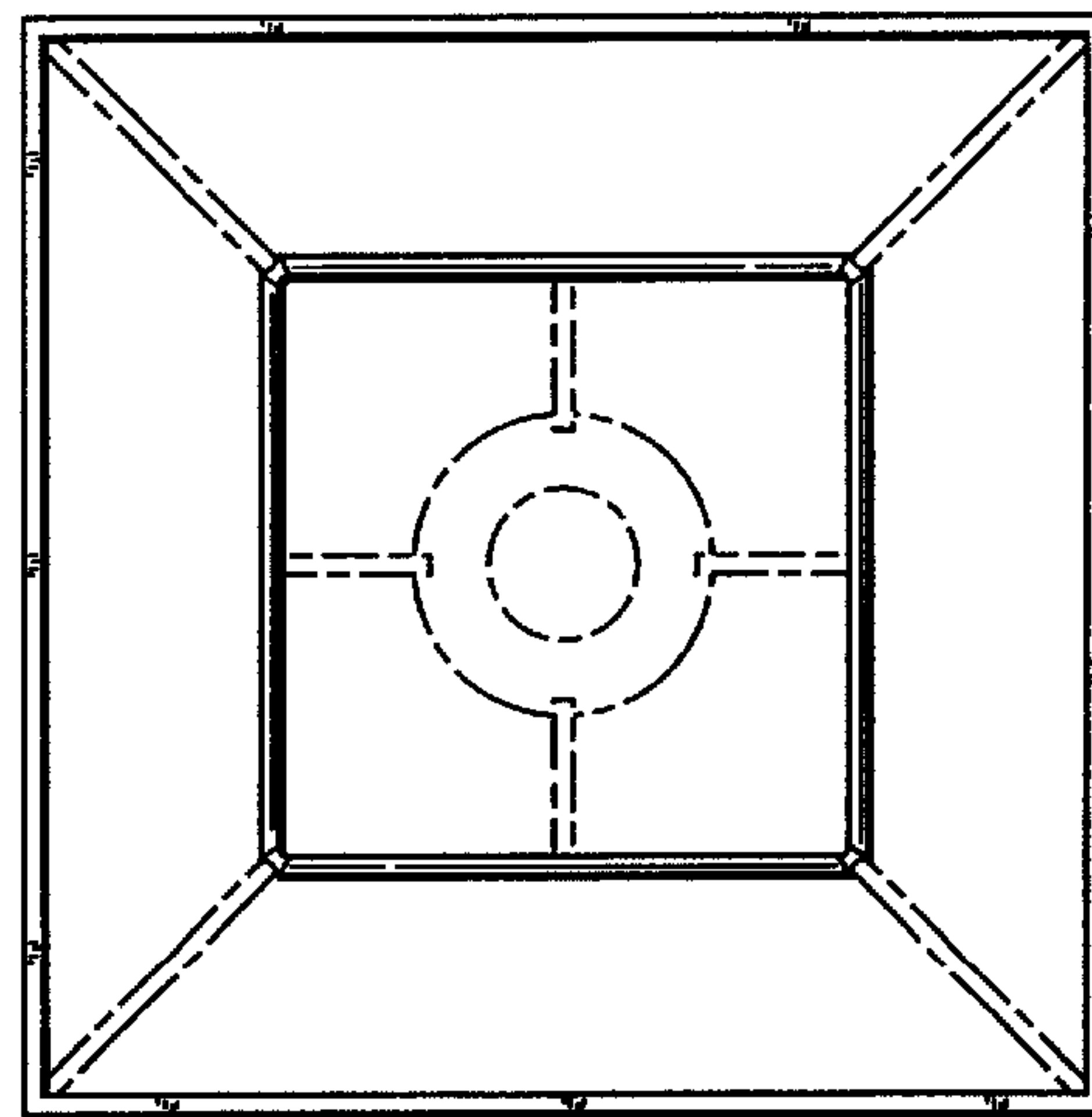


FIG. 18

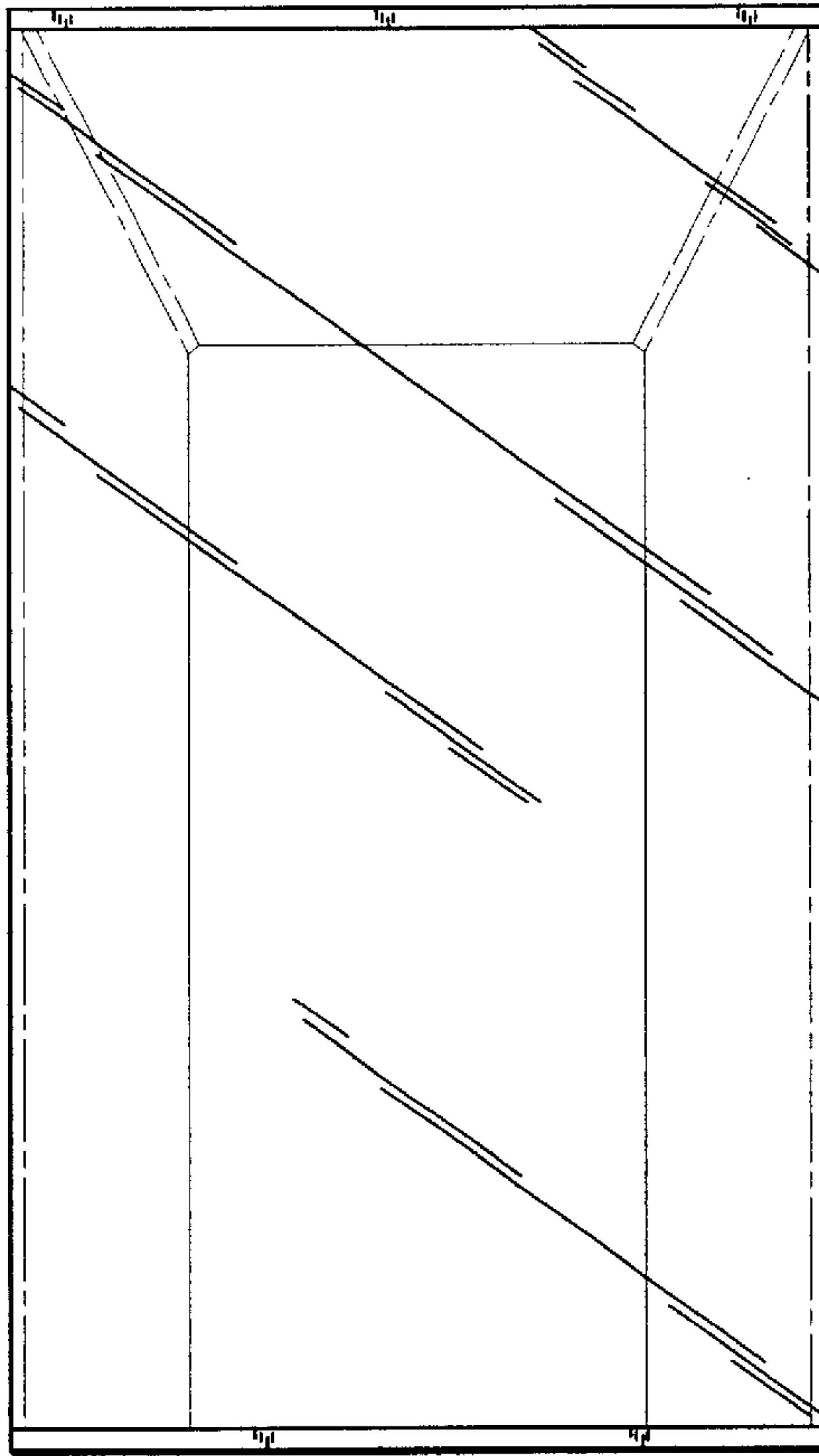


FIG. 19

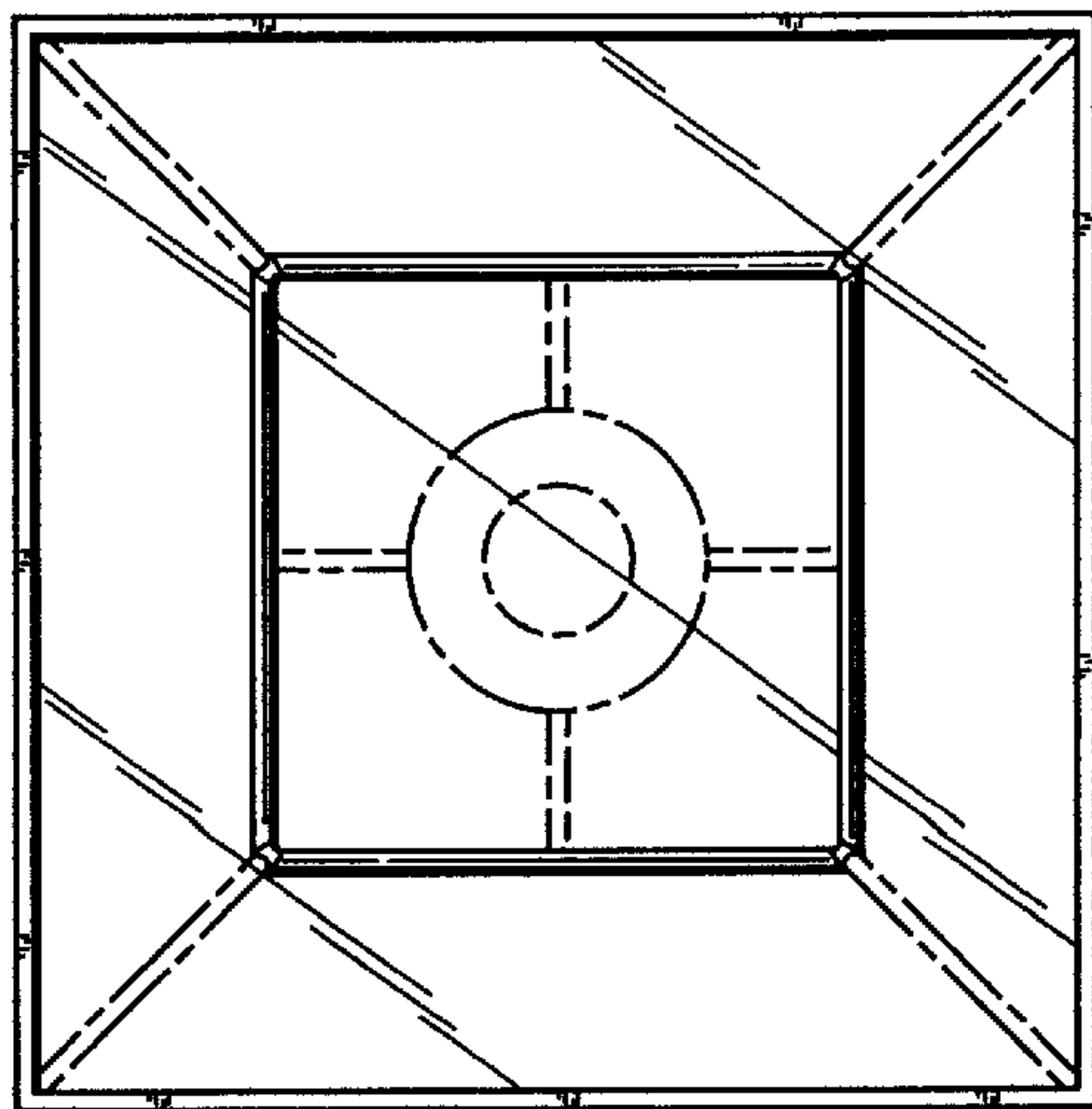


FIG. 20

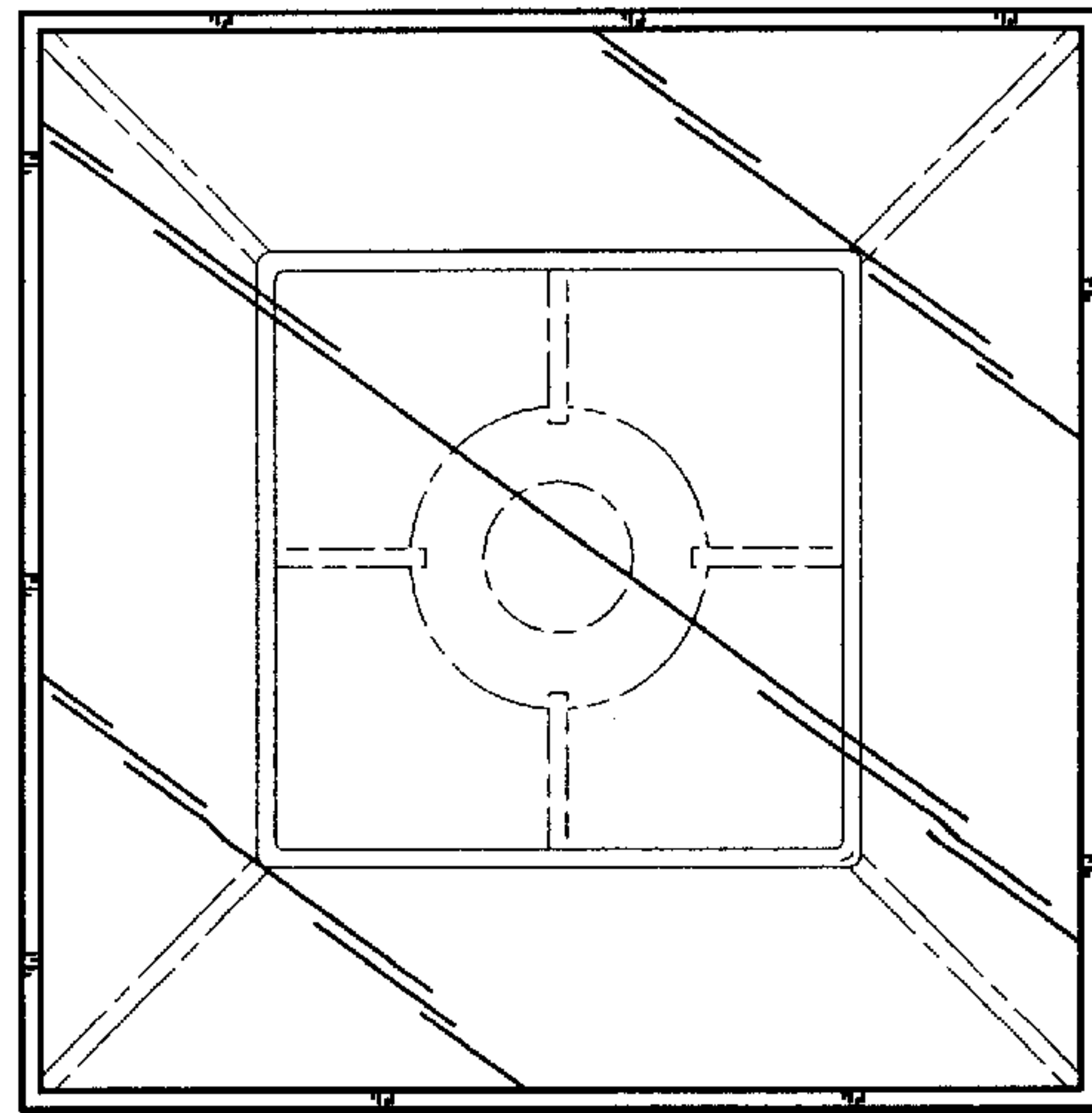


FIG. 21

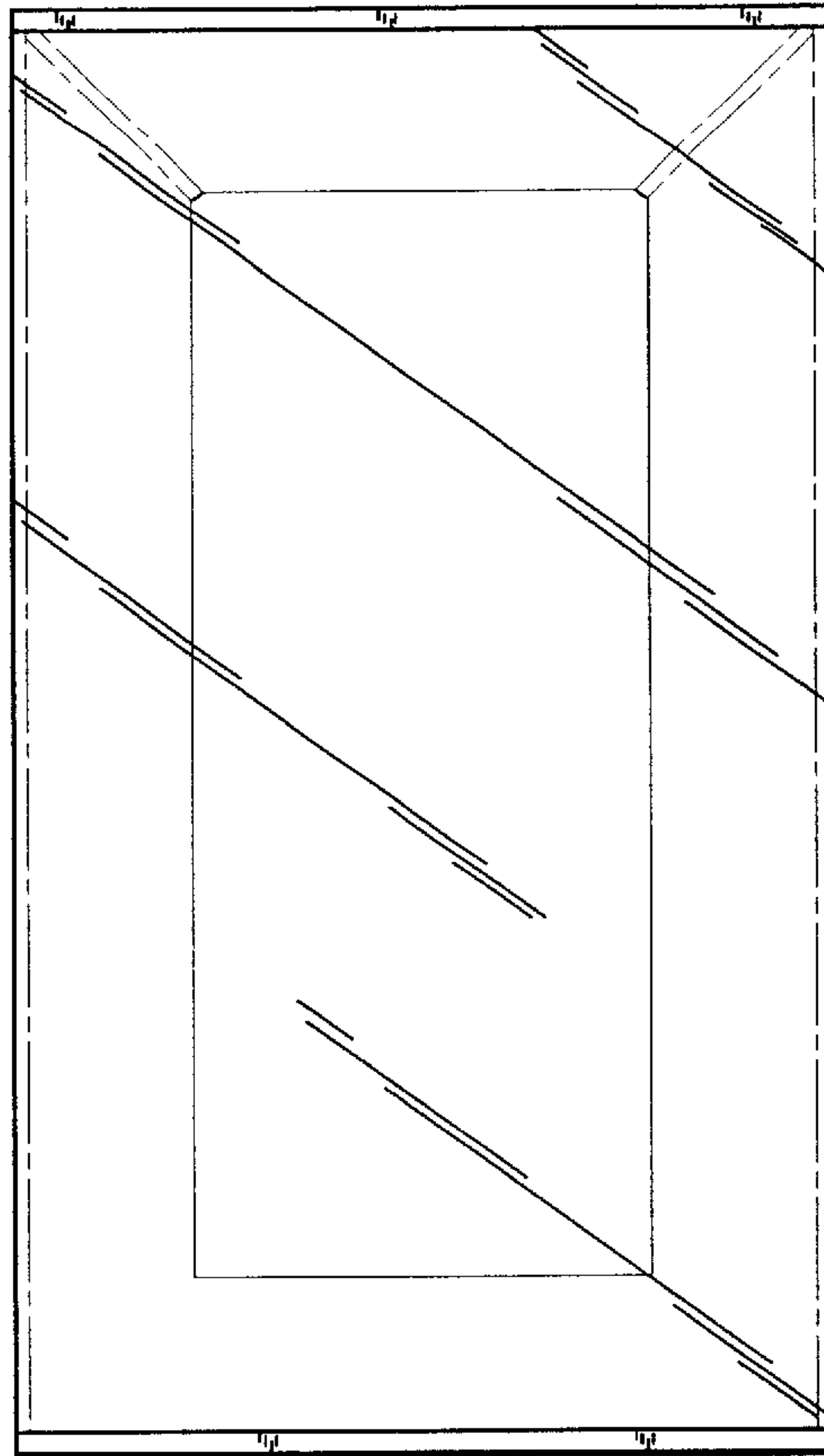


FIG. 22

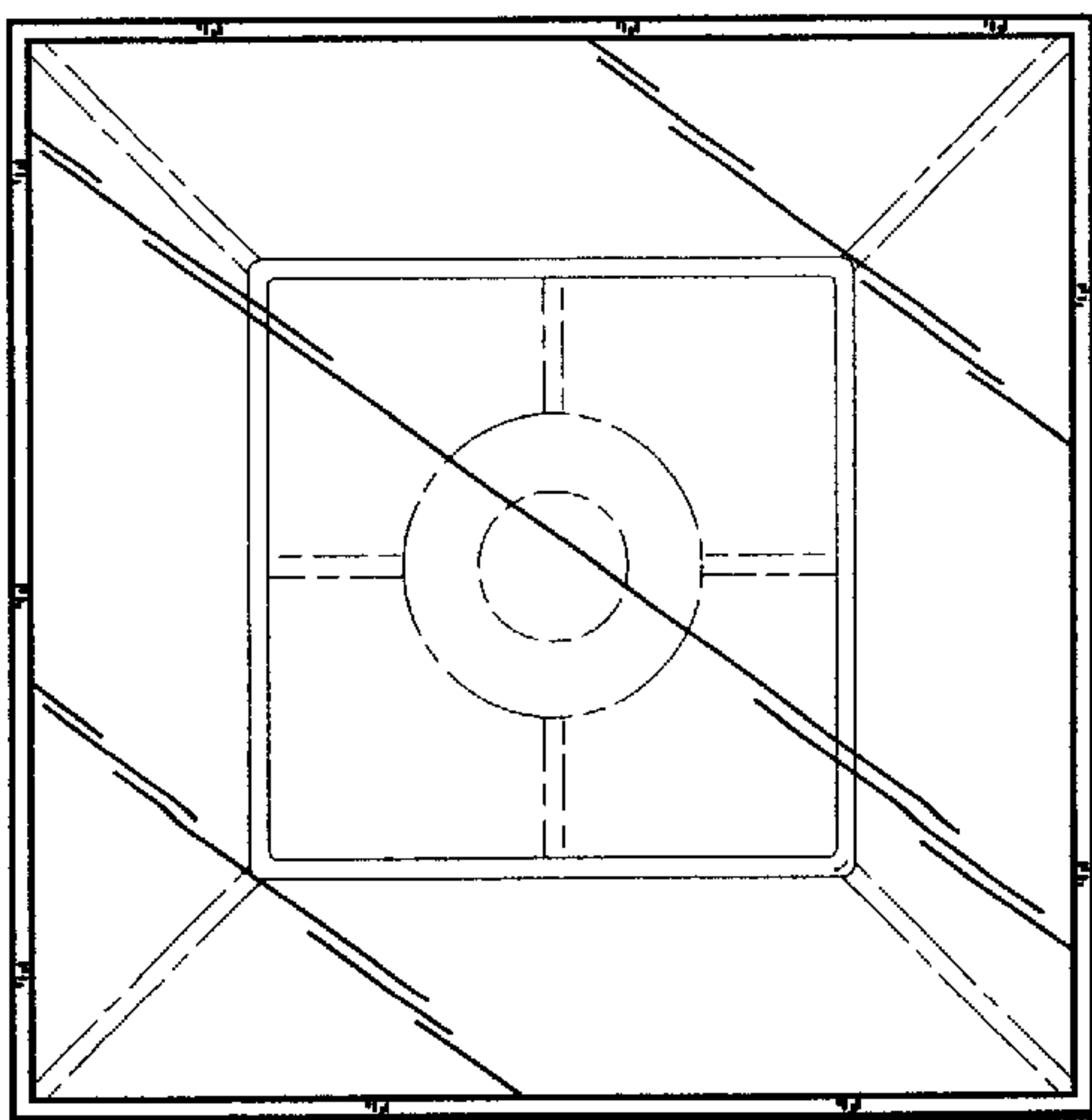


FIG. 23

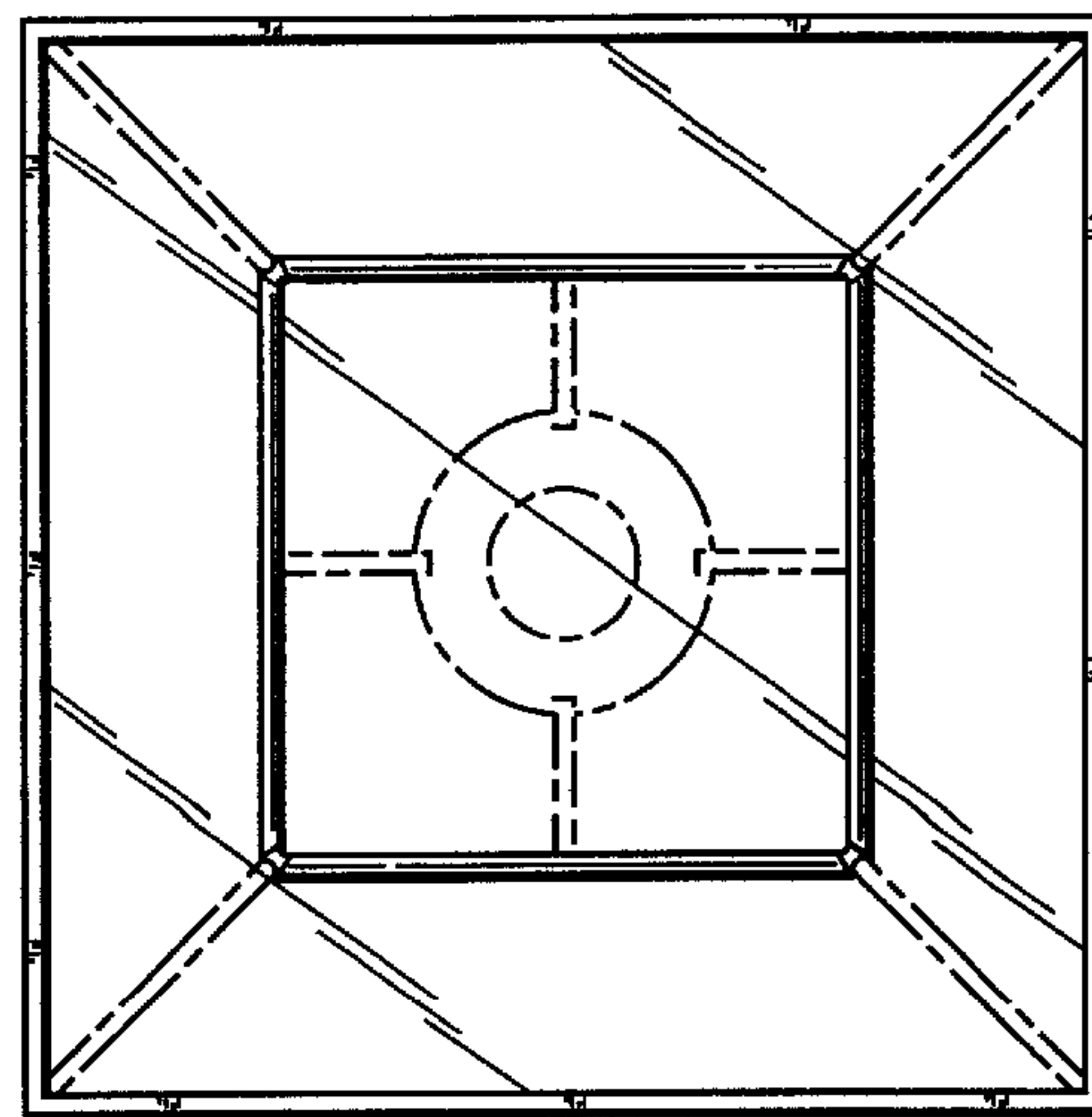


FIG. 24

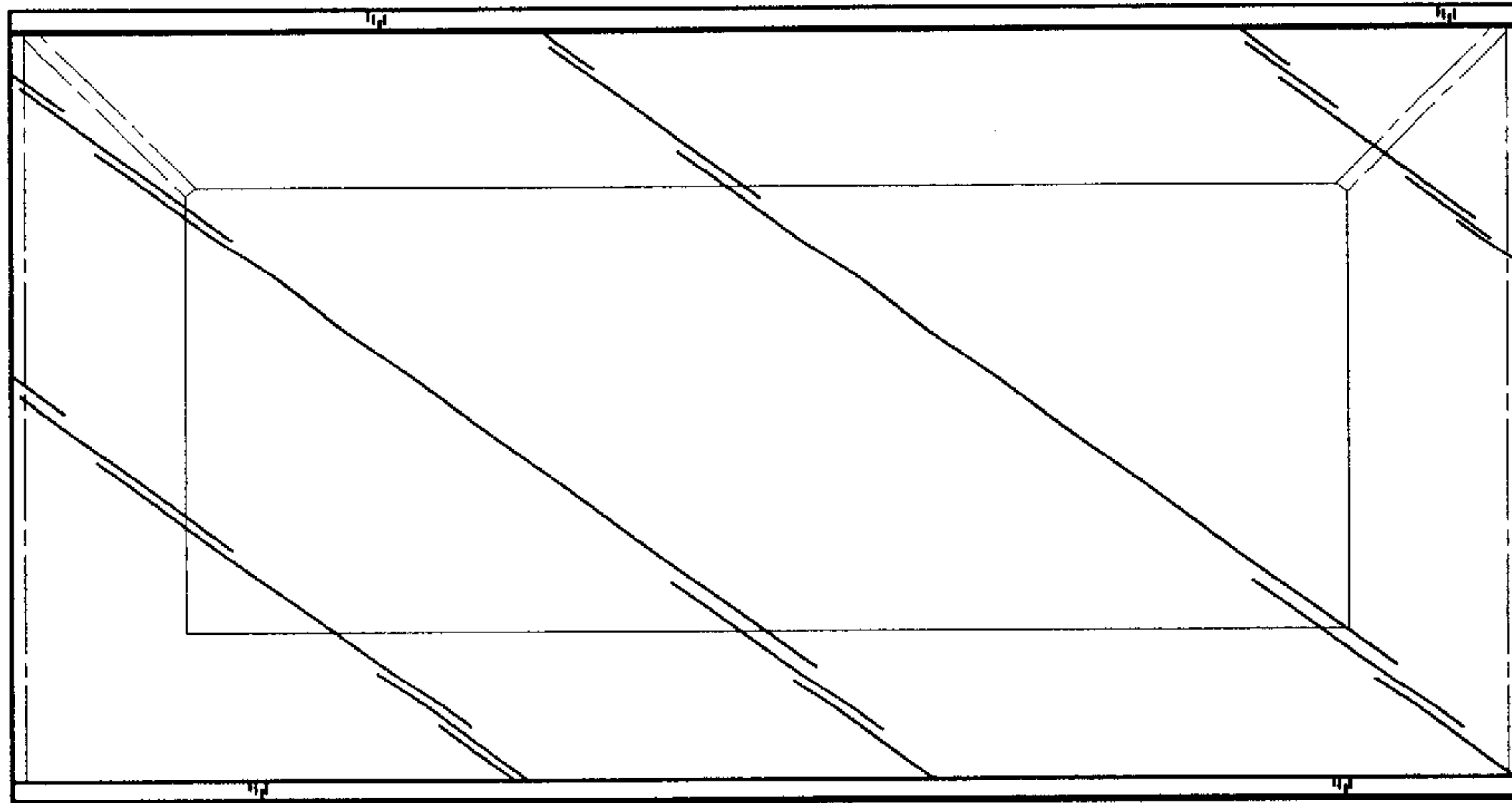


FIG. 25

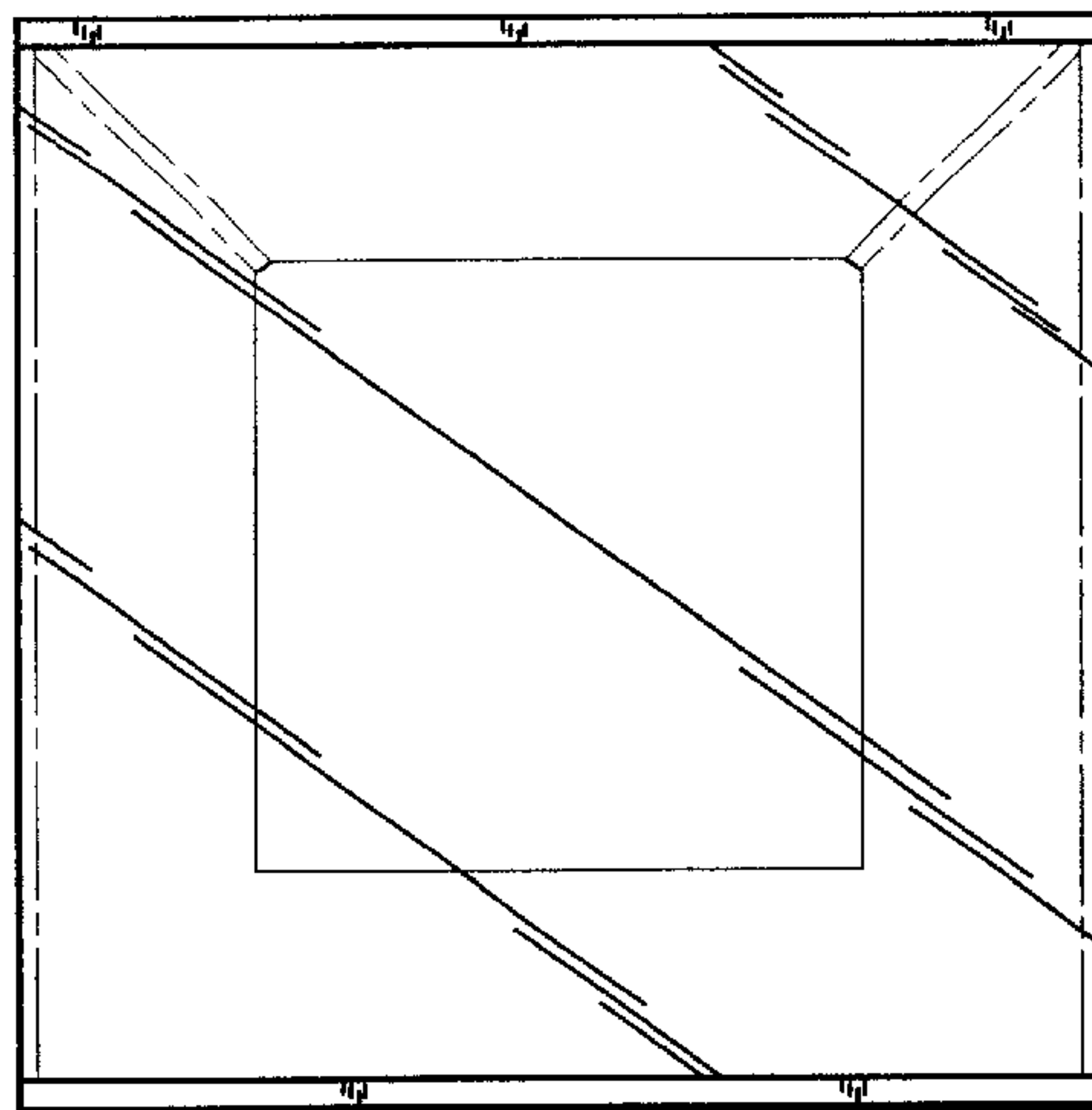


FIG. 26

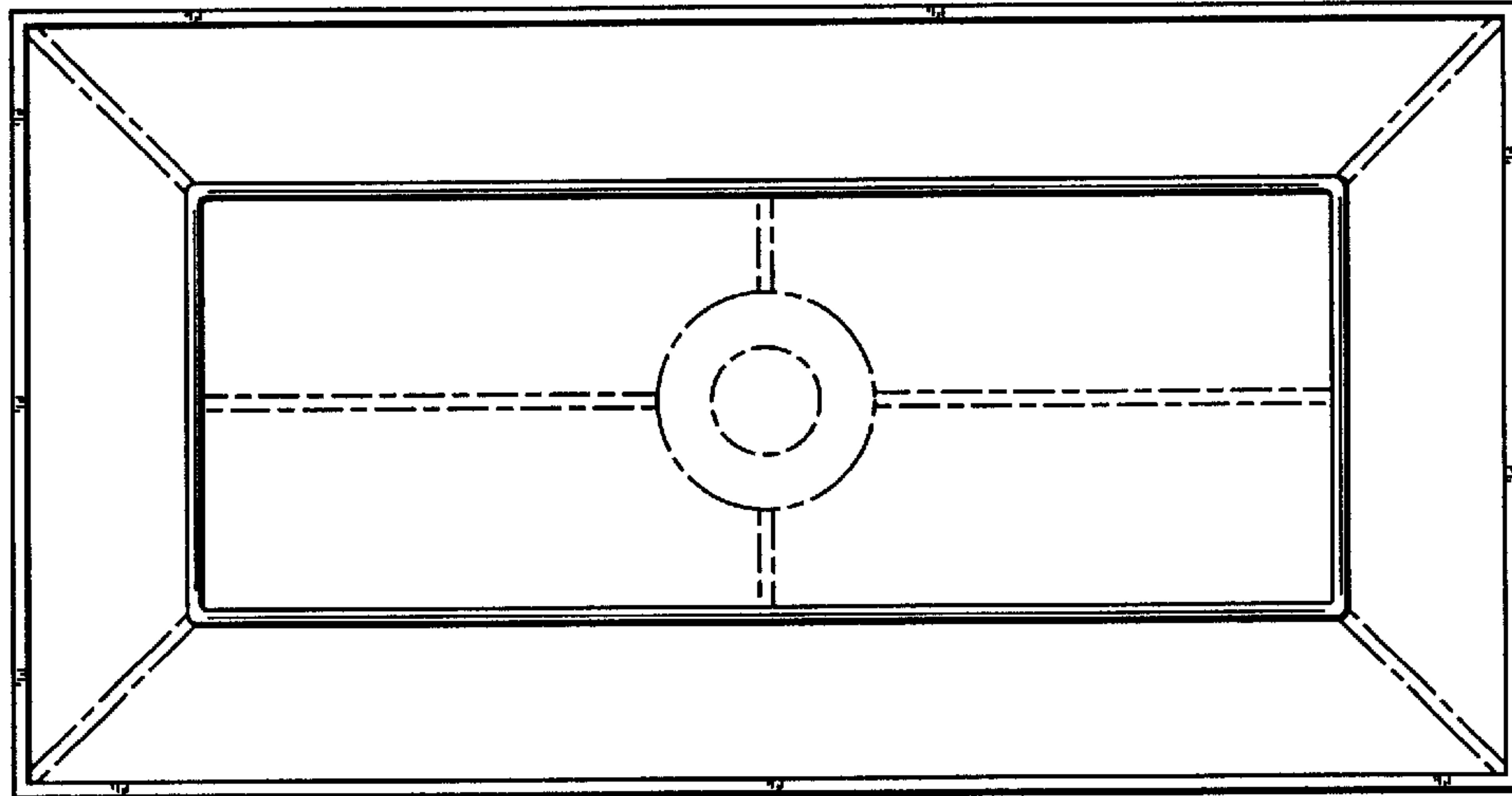


FIG. 27

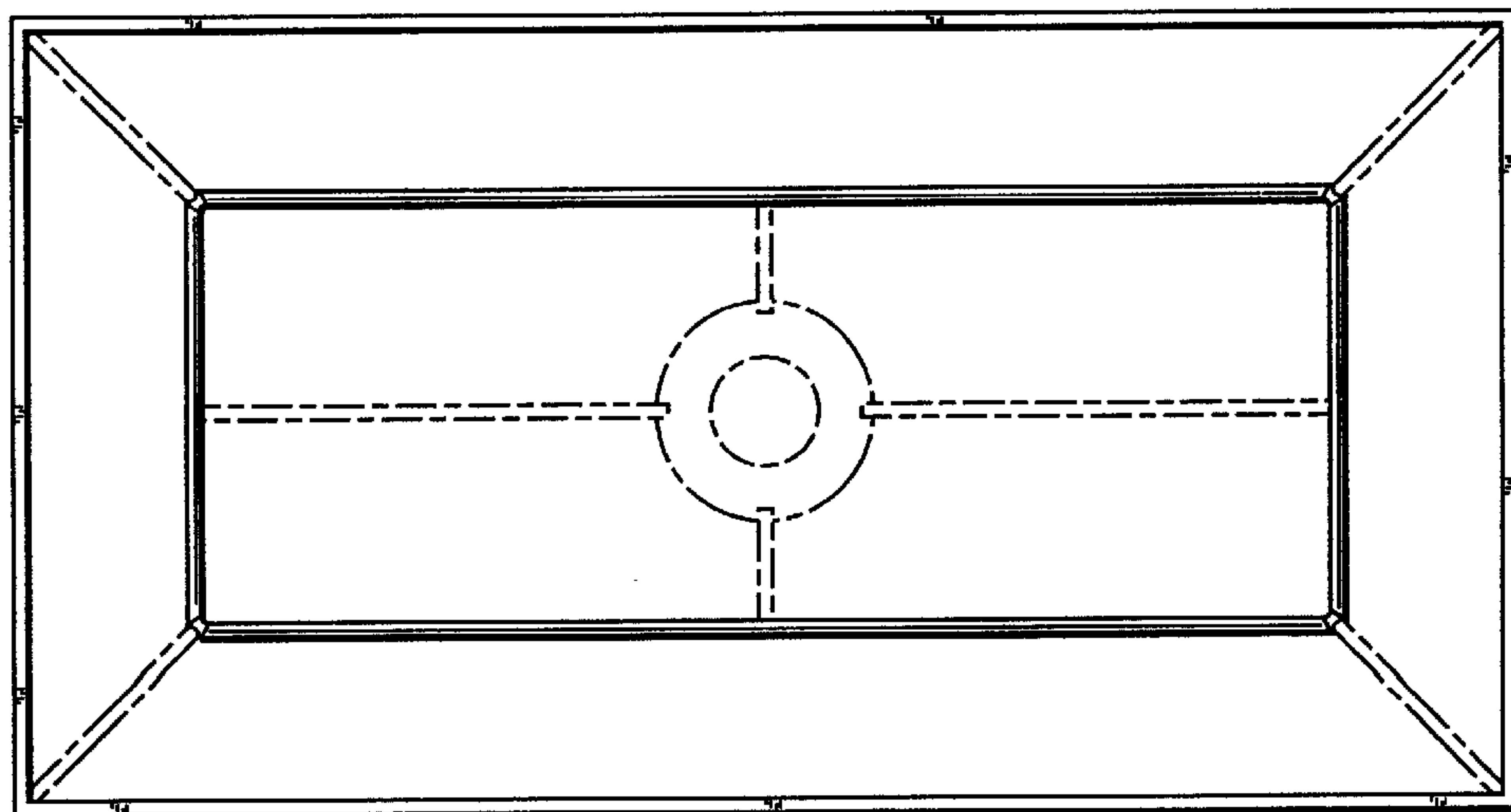


FIG. 28

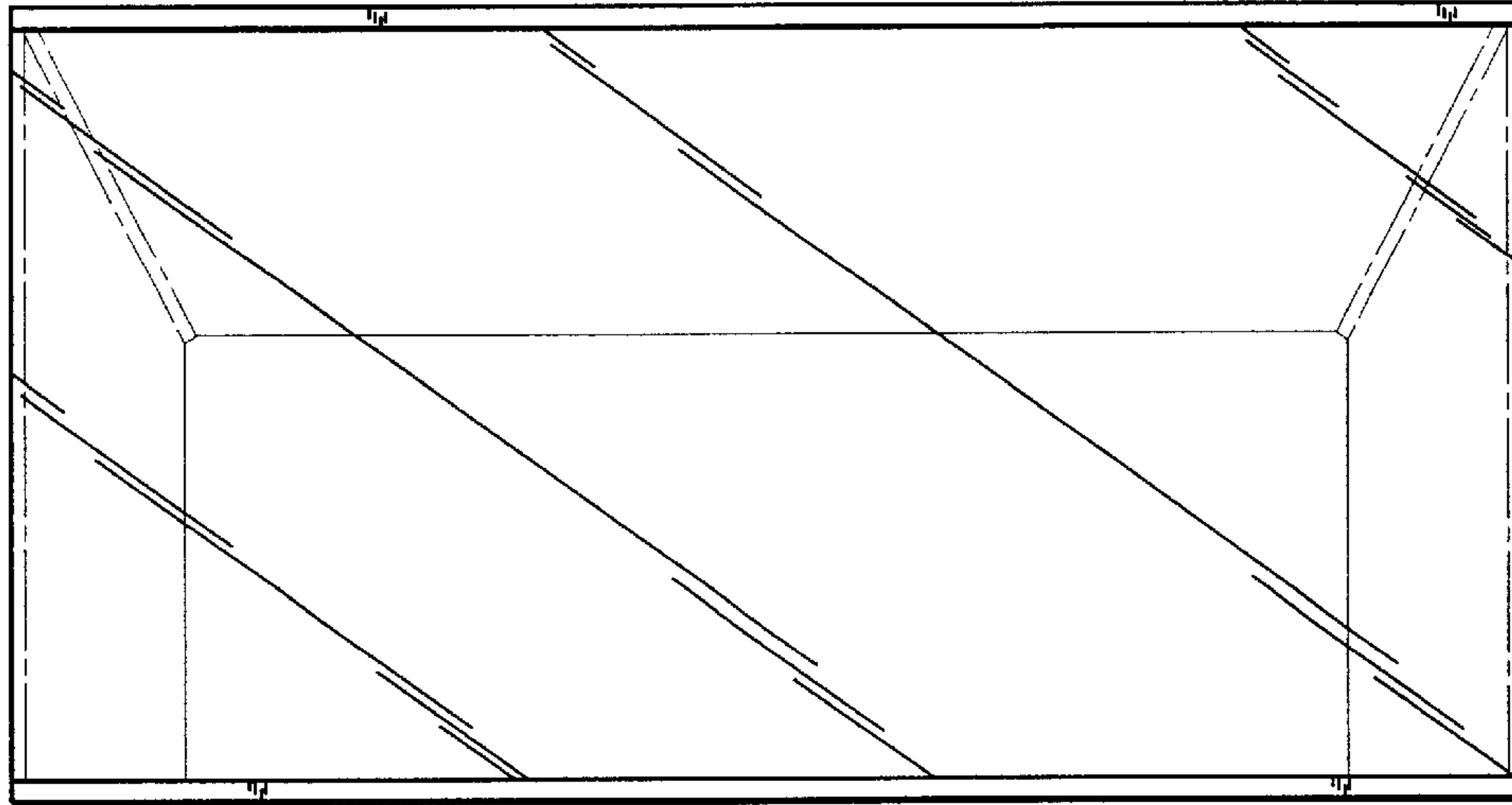


FIG. 29

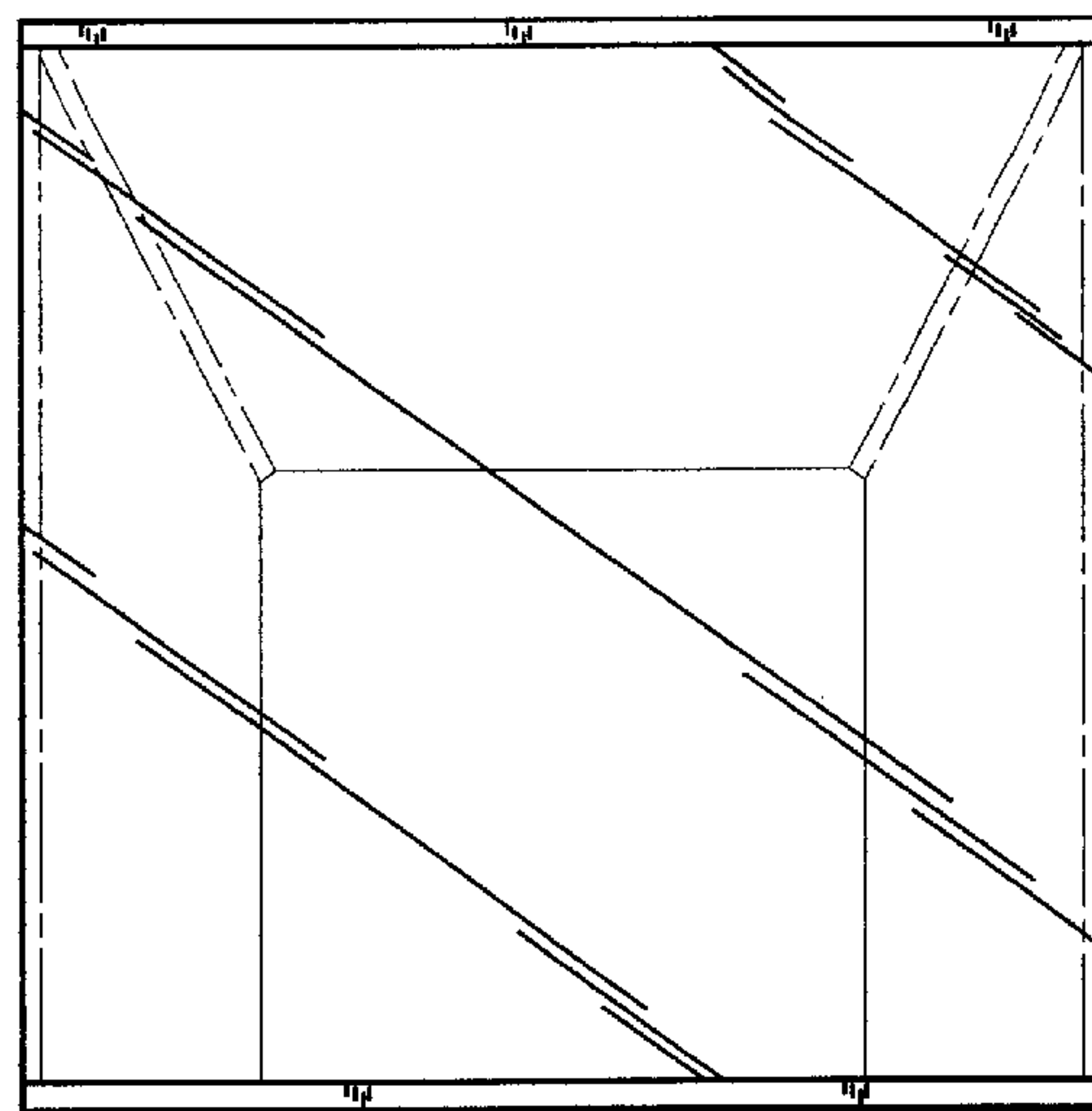


FIG. 30

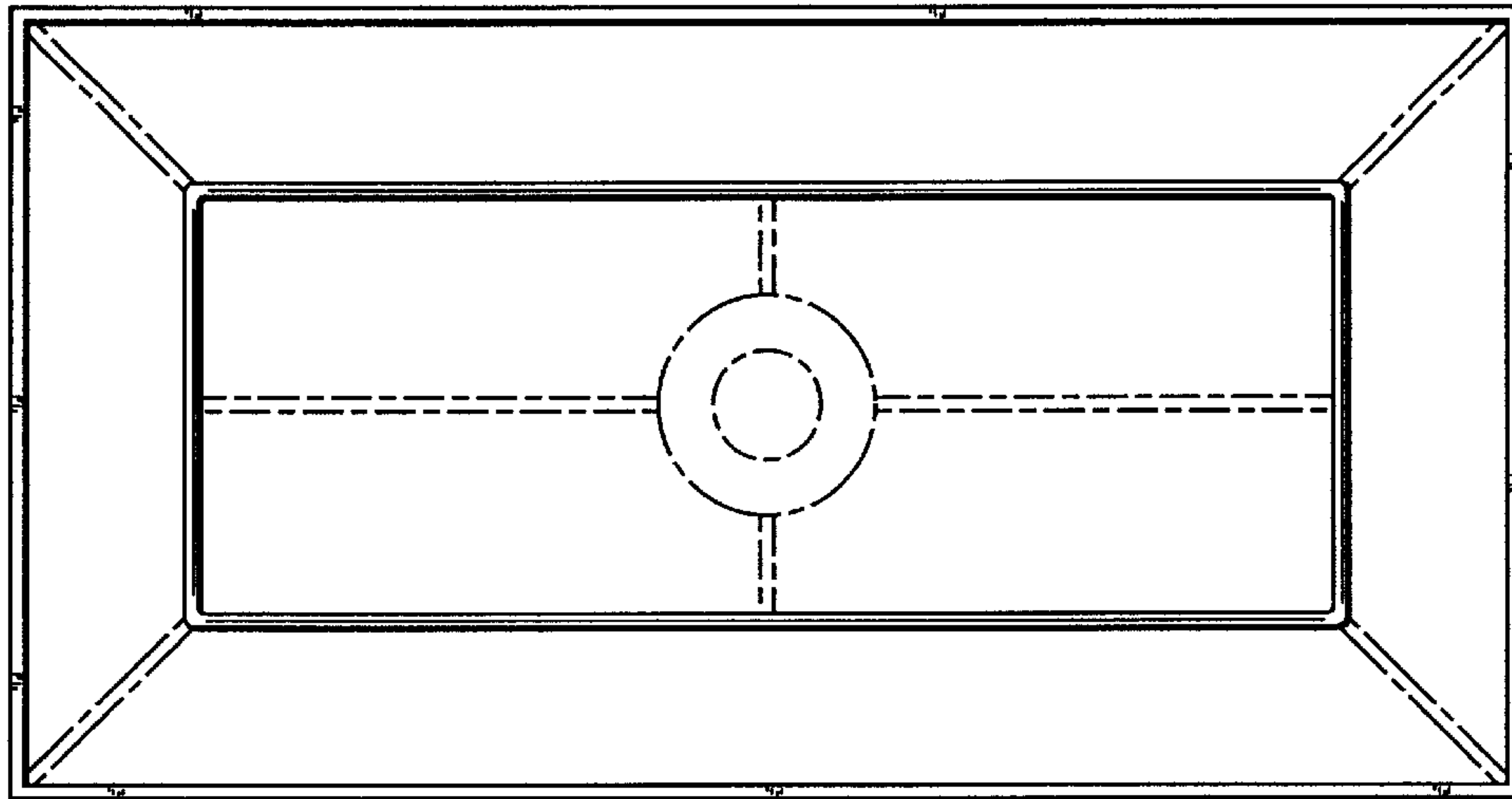


FIG. 31

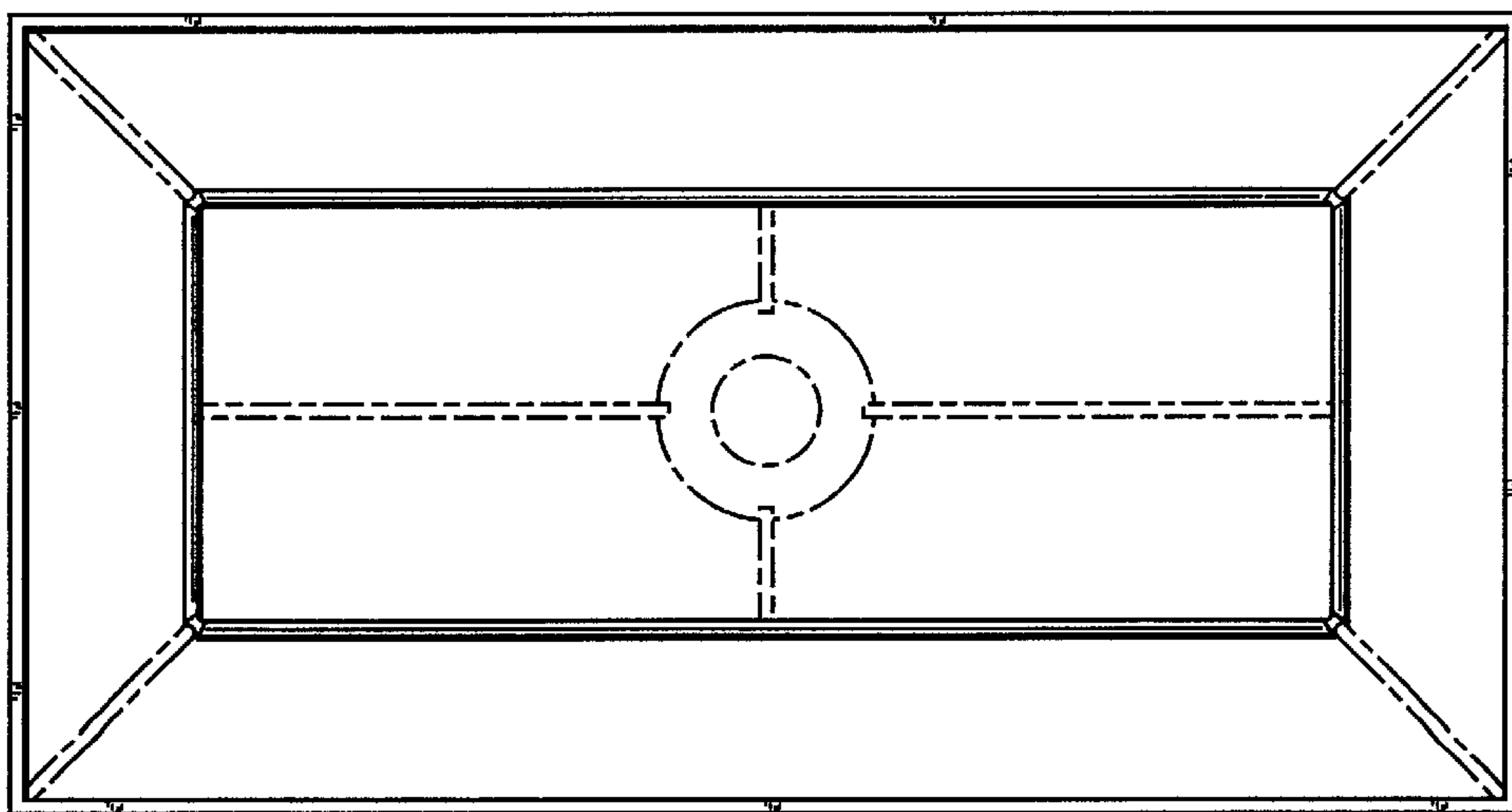


FIG. 32

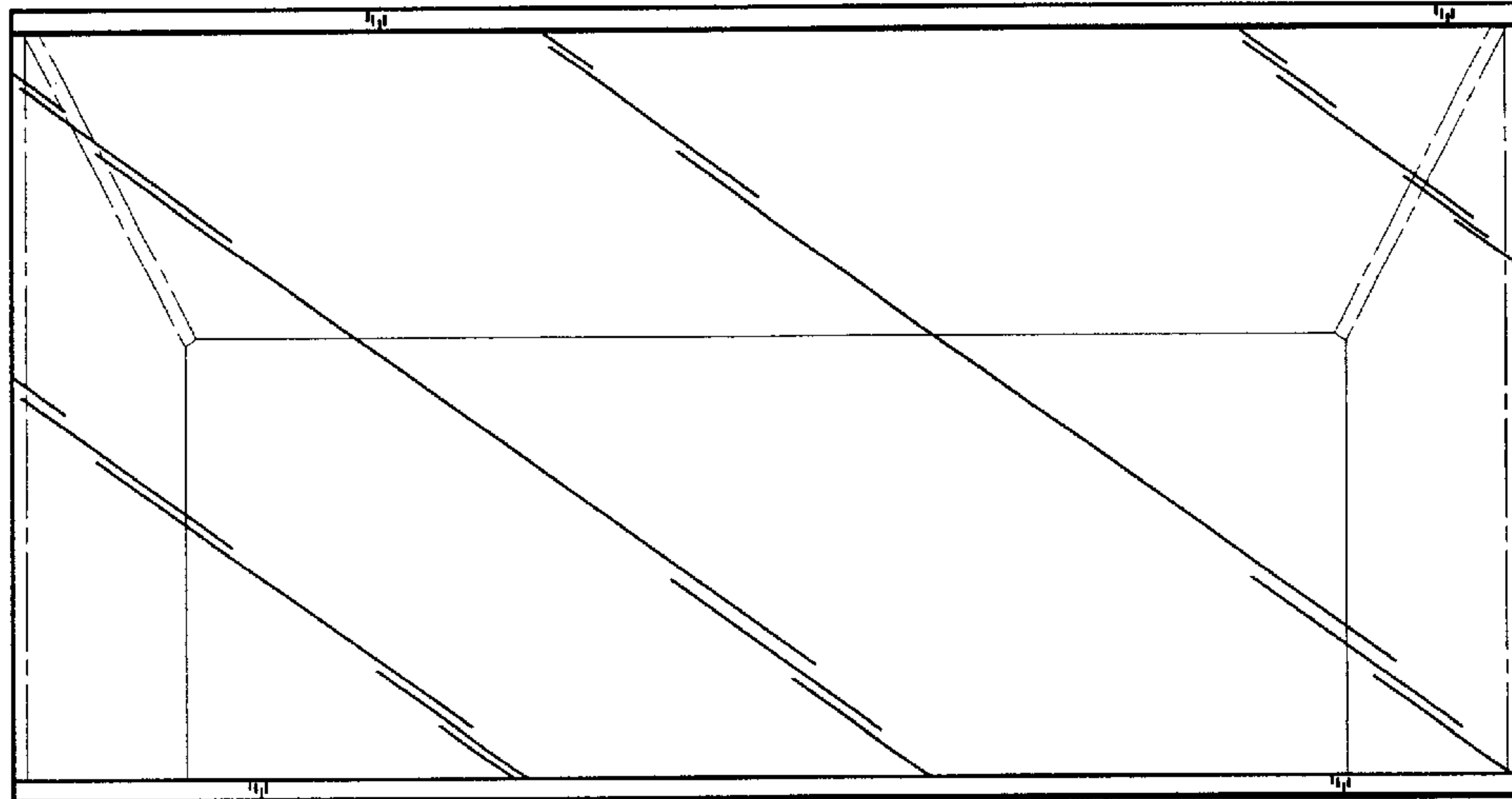


FIG. 33

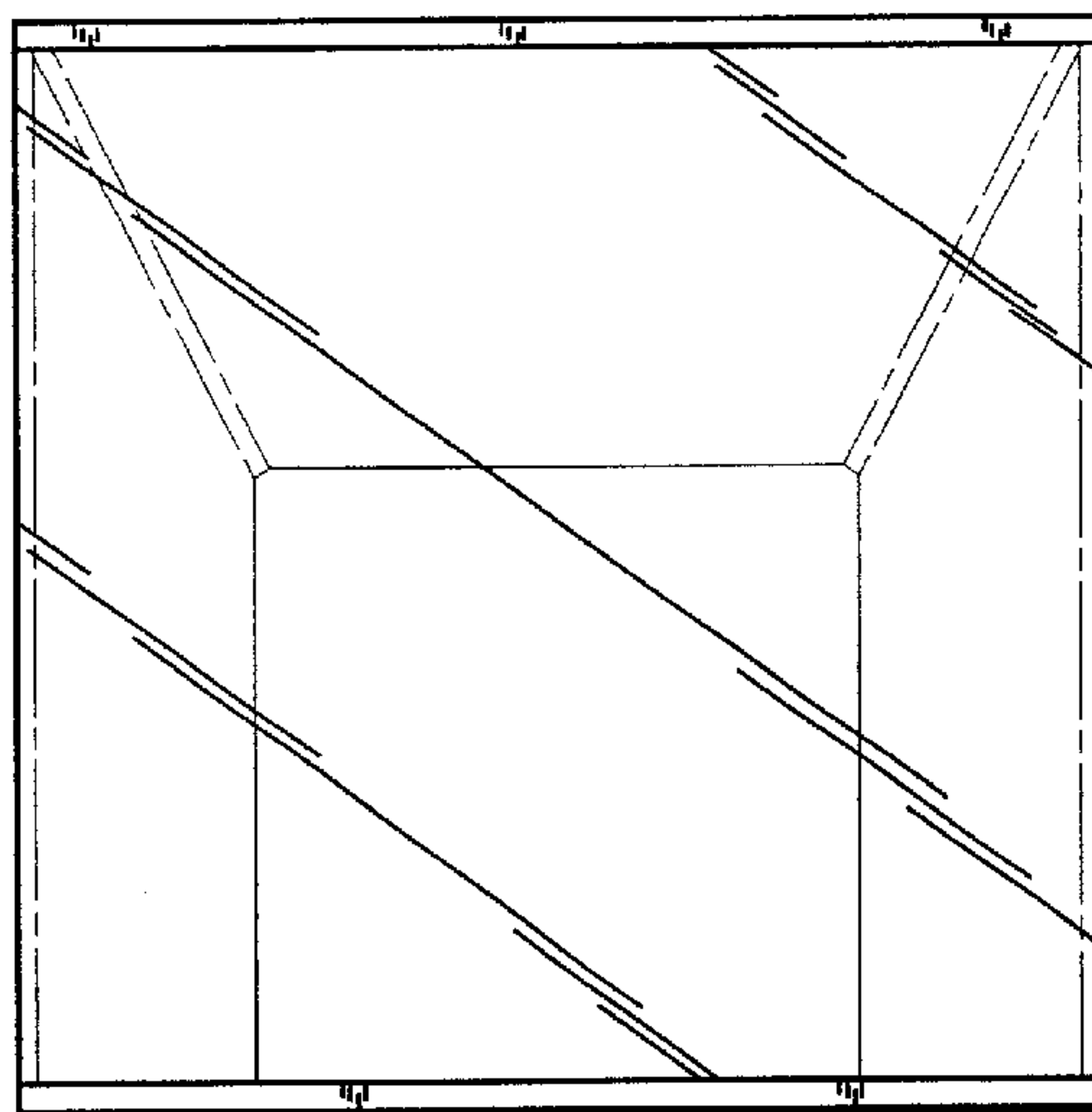


FIG. 34

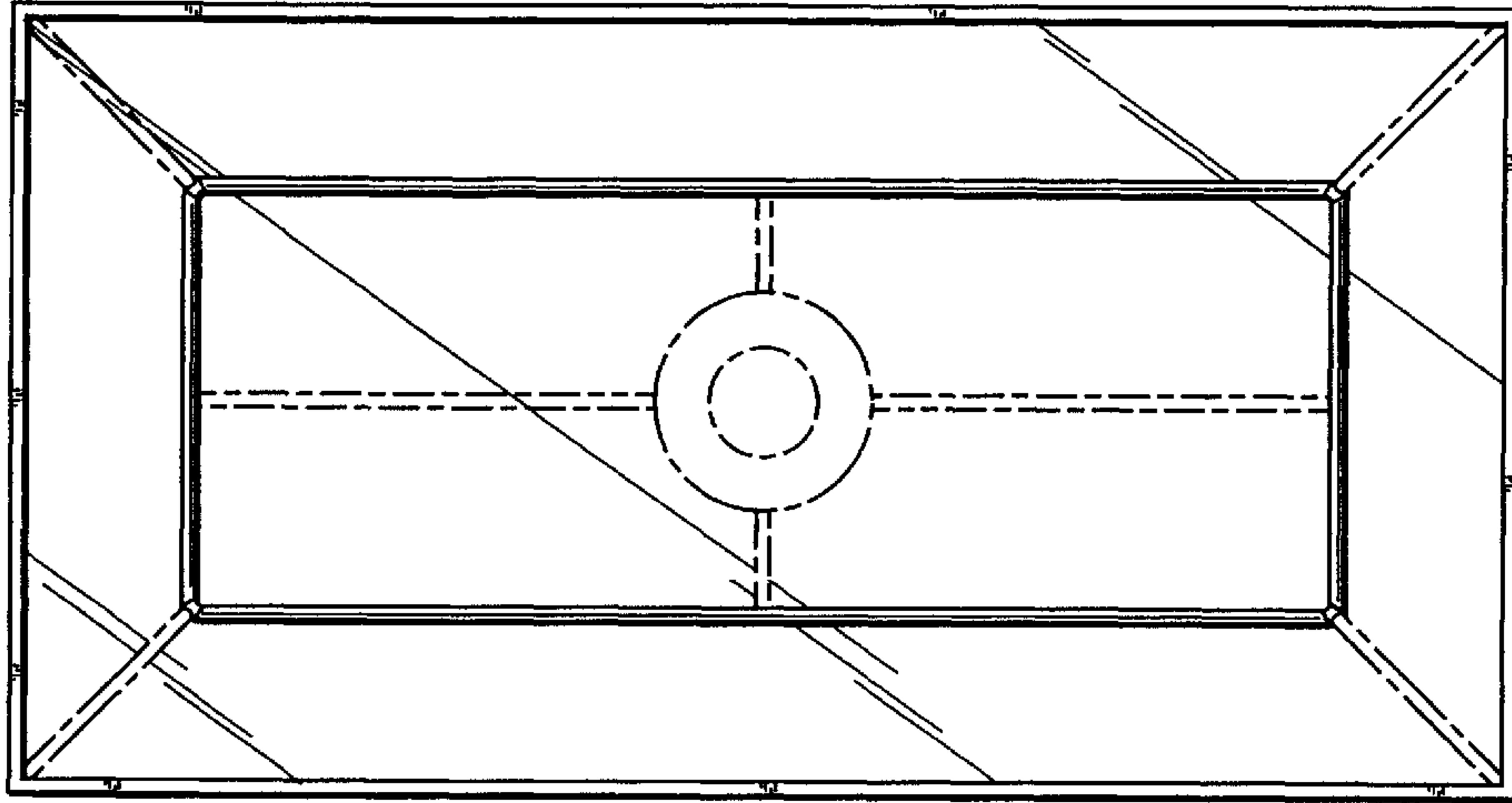


FIG. 35

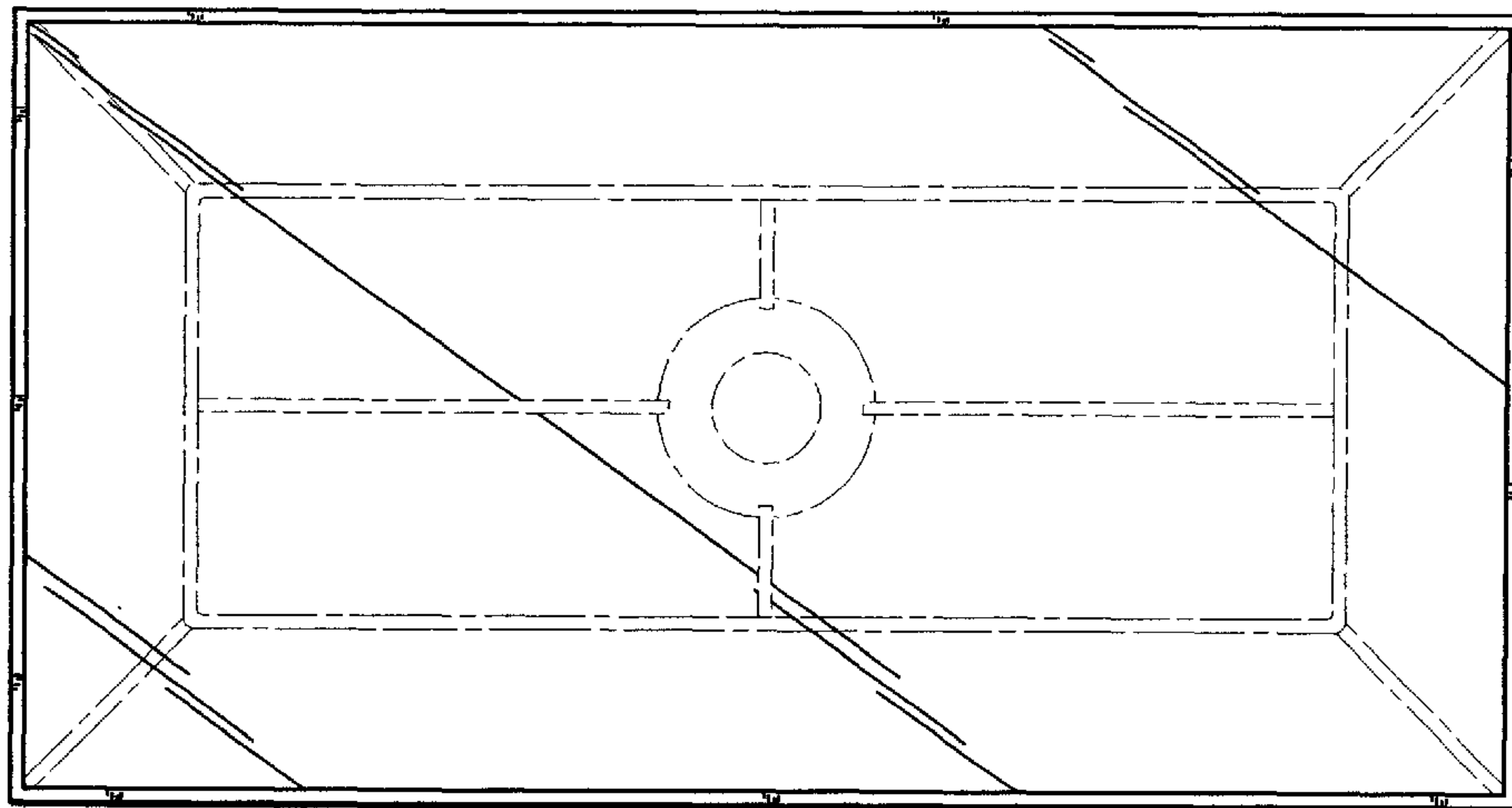


FIG. 36

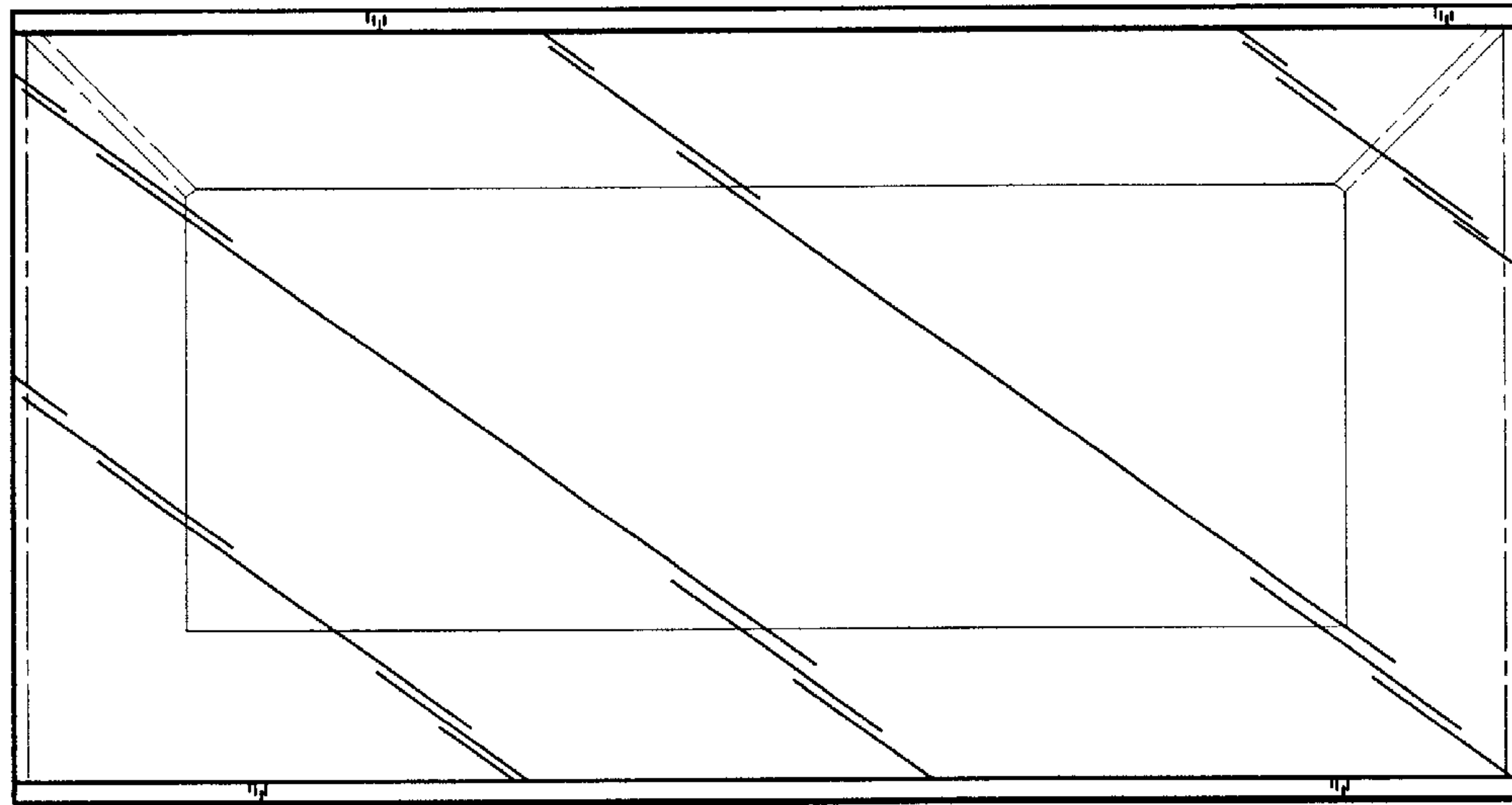


FIG. 37

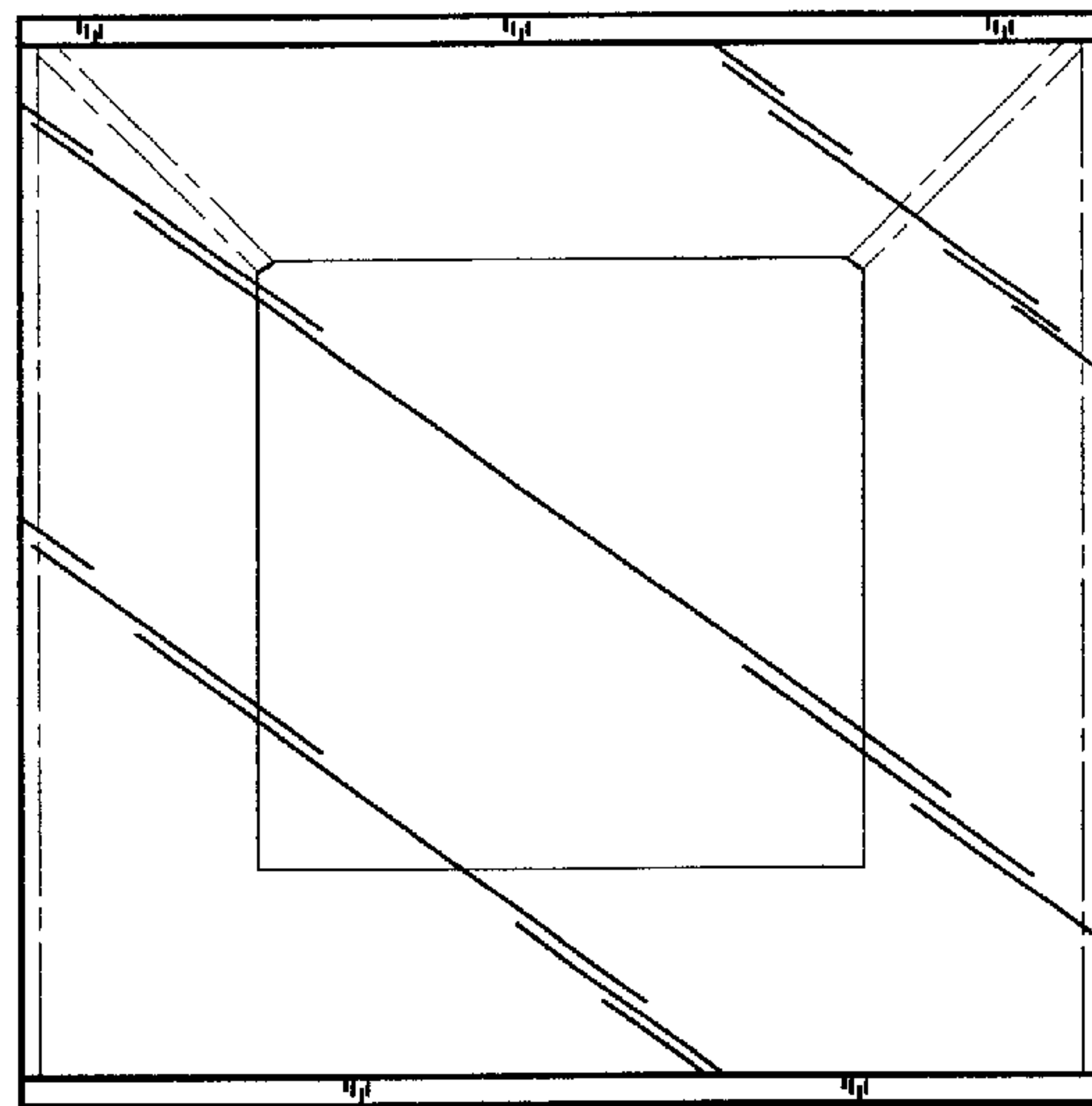


FIG. 38

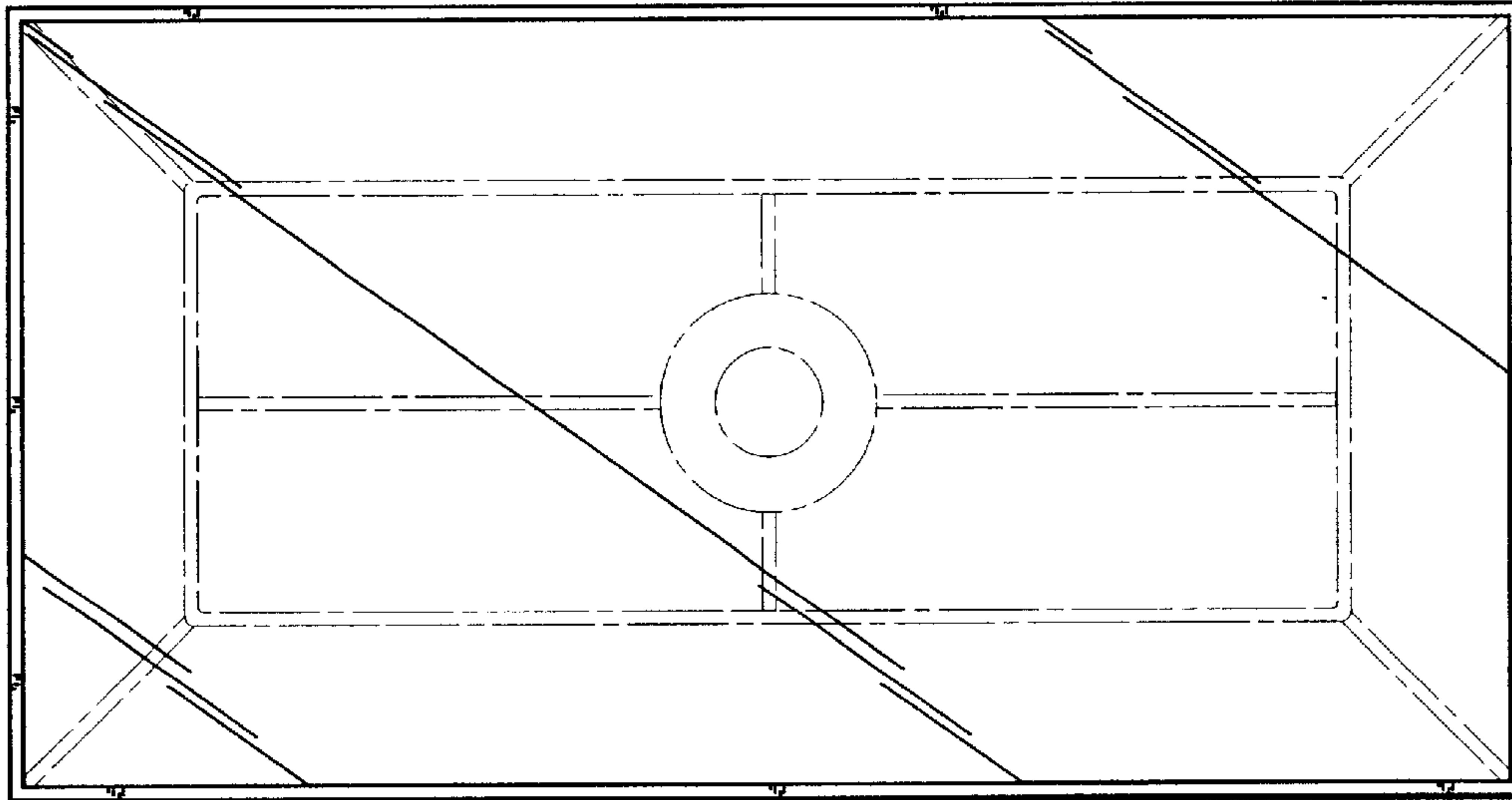


FIG. 39

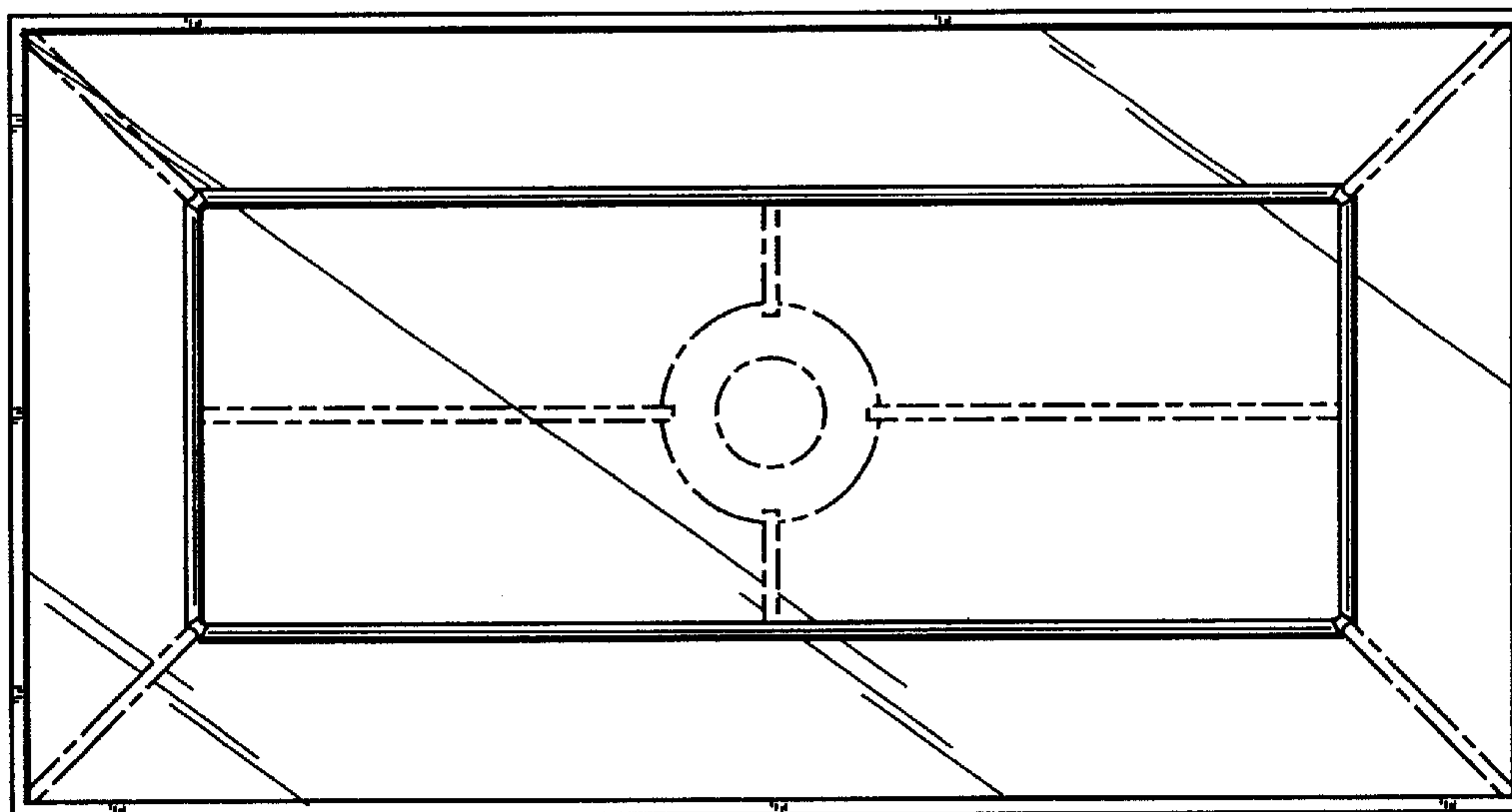


FIG. 40