



US00D539961S

(12) **United States Design Patent**
Hsu

(10) **Patent No.:** **US D539,961 S**

(45) **Date of Patent:** **** Apr. 3, 2007**

(54) **PENDENT LAMP**

(75) Inventor: **Kevin Hsu**, Taichung (TW)

(73) Assignee: **Dong Guan Bright Yinhuey Lighting Co., Ltd. China**, Guang Dong (CN)

(**) Term: **14 Years**

(21) Appl. No.: **29/259,145**

(22) Filed: **May 2, 2006**

(51) **LOC (8) Cl.** **26-03**

(52) **U.S. Cl.** **D26/81; D26/86**

(58) **Field of Classification Search** D26/72,
D26/80, 81-92, 143, 144; 362/147, 351,
362/363, 404, 806

See application file for complete search history.

(56) **References Cited**

U.S. PATENT DOCUMENTS

D348,115 S * 6/1994 Segill et al. D26/81

D418,622 S * 1/2000 Diaz-Azcuy D26/84

D459,828 S * 7/2002 Dolan D26/86

D480,495 S * 10/2003 Brunner D26/84

D519,666 S * 4/2006 Leser D26/81

* cited by examiner

Primary Examiner—Clare E Heflin

(74) *Attorney, Agent, or Firm*—Alan D. Kamrath; Nikolai & Mersereau, P.A.

(57) **CLAIM**

The ornamental design for a pendent lamp, as shown and described.

DESCRIPTION

FIG. 1 is a perspective view of a pendent lamp showing my design;

FIG. 2 is a front elevational view thereof;

FIG. 3 is a rear elevational view thereof;

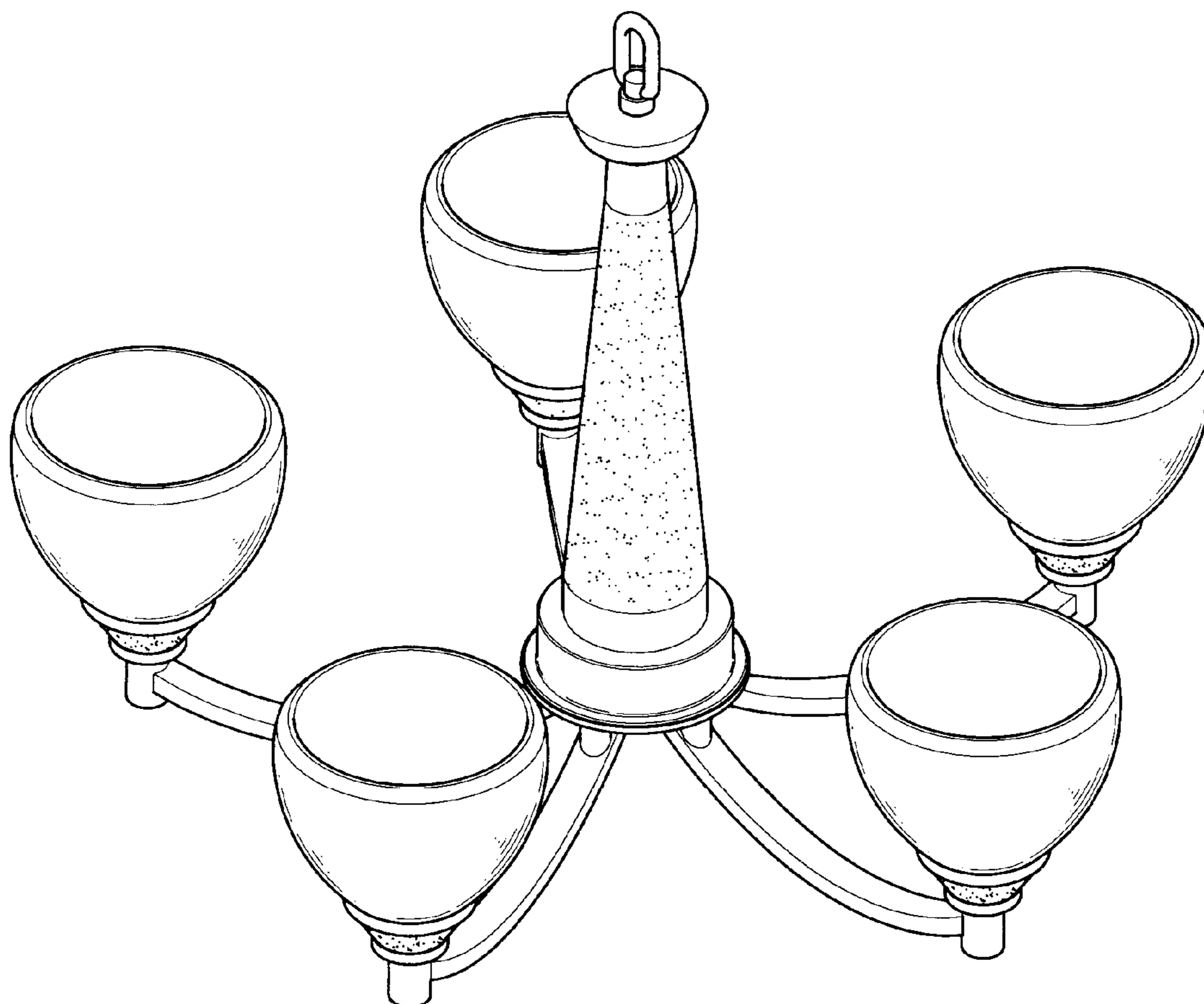
FIG. 4 is a left side elevational view thereof;

FIG. 5 is a right side elevational view thereof;

FIG. 6 is a top plan view thereof; and,

FIG. 7 is a bottom plan view thereof.

1 Claim, 7 Drawing Sheets



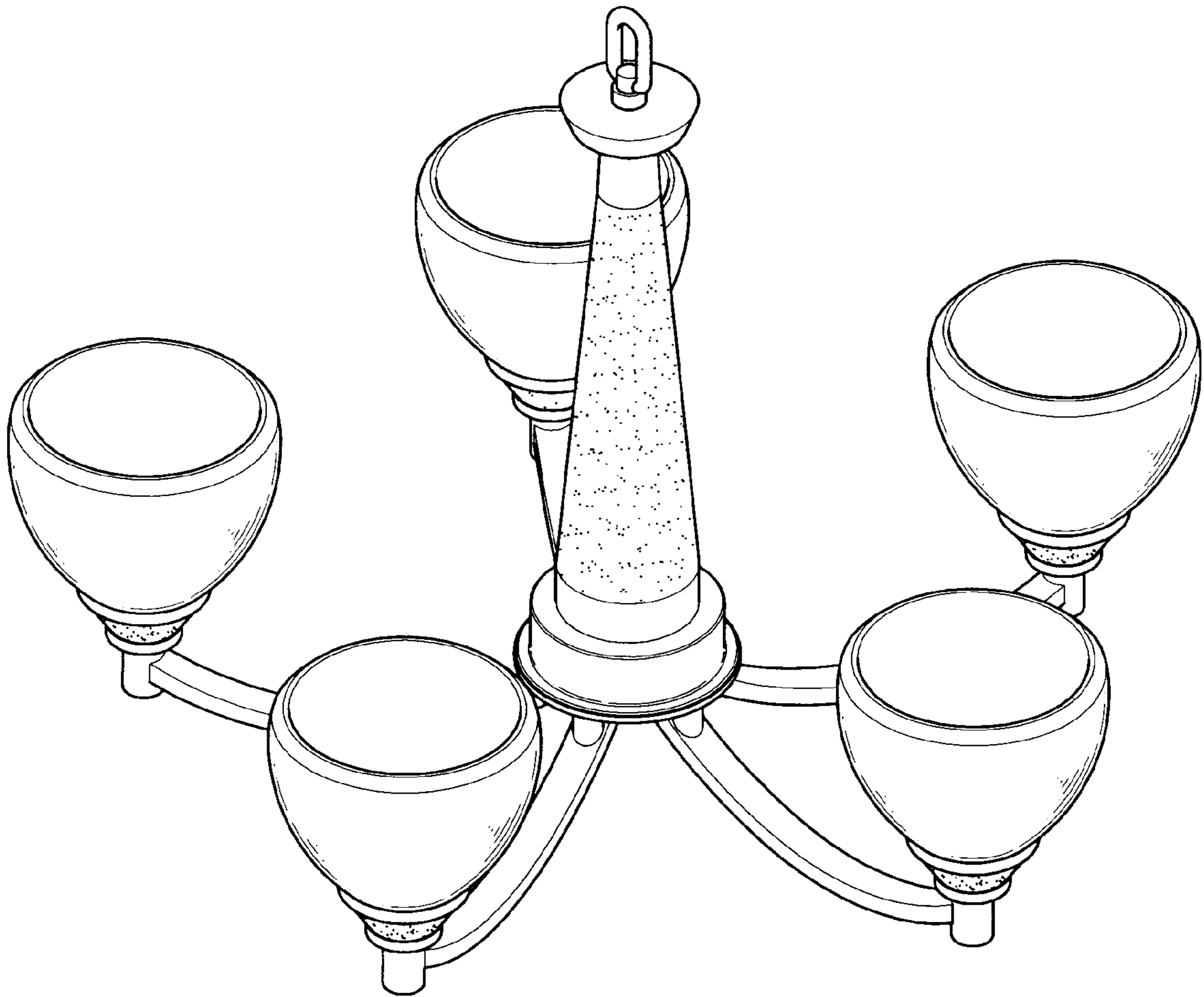


FIG. 1

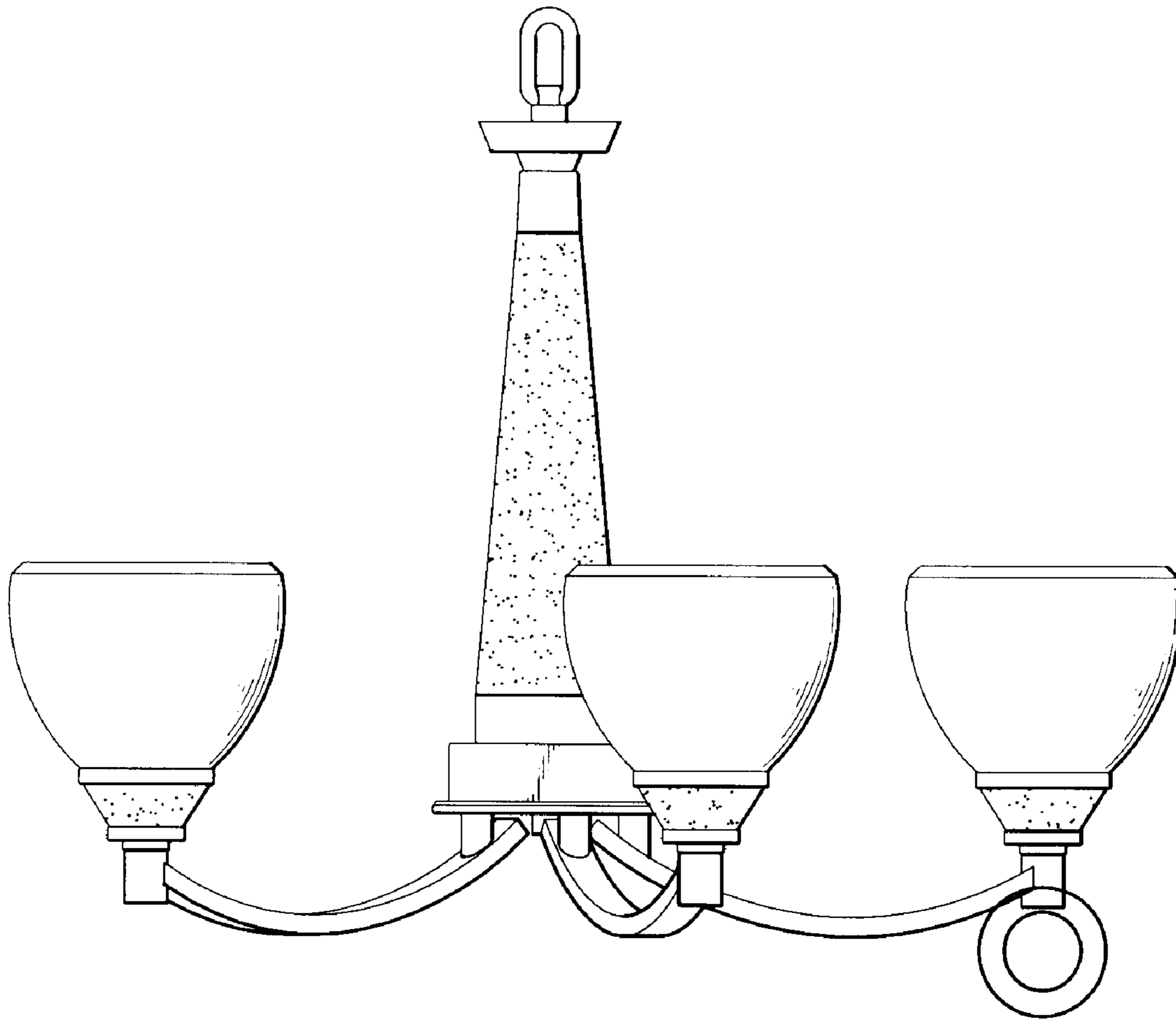


FIG. 2

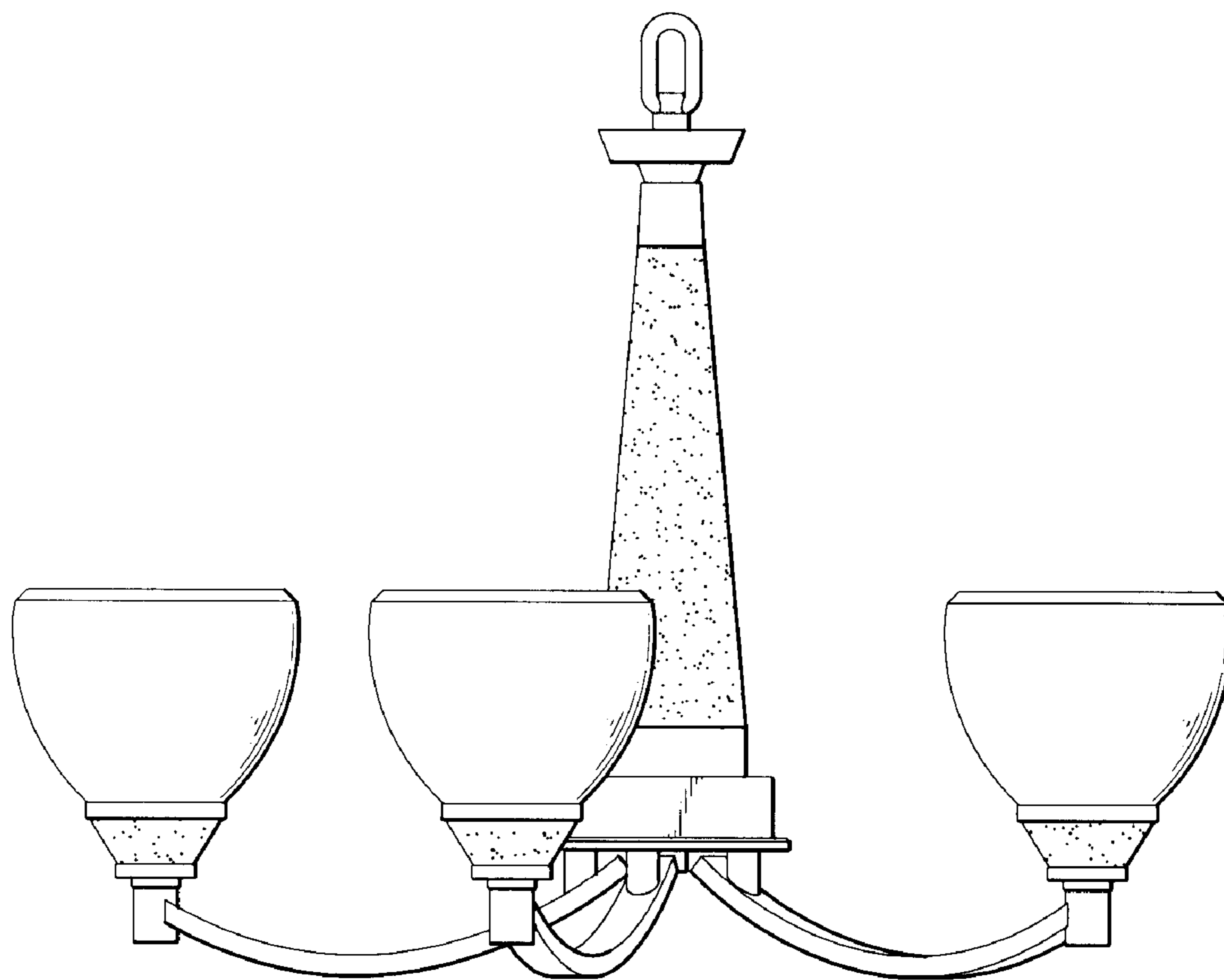


FIG. 3

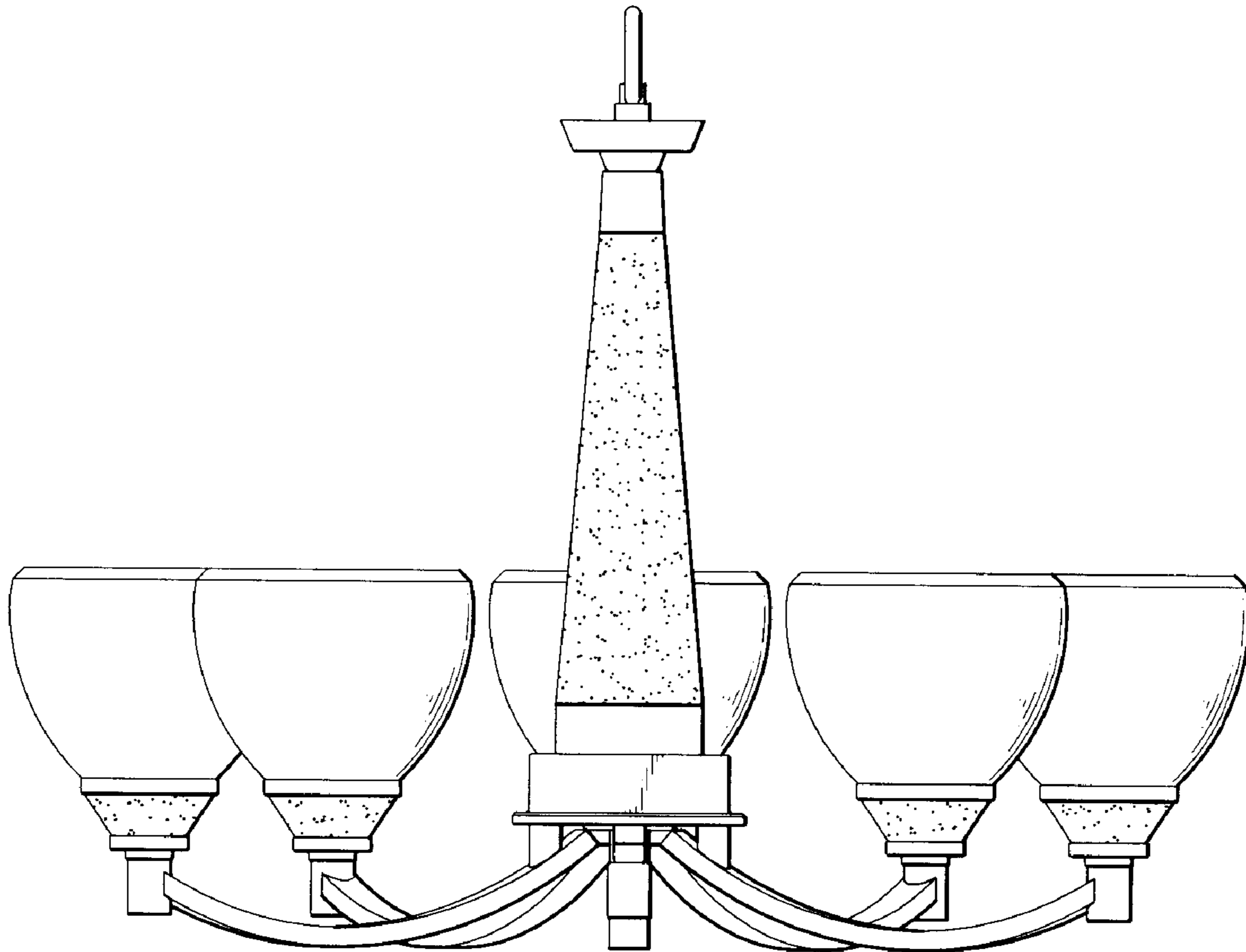


FIG. 4

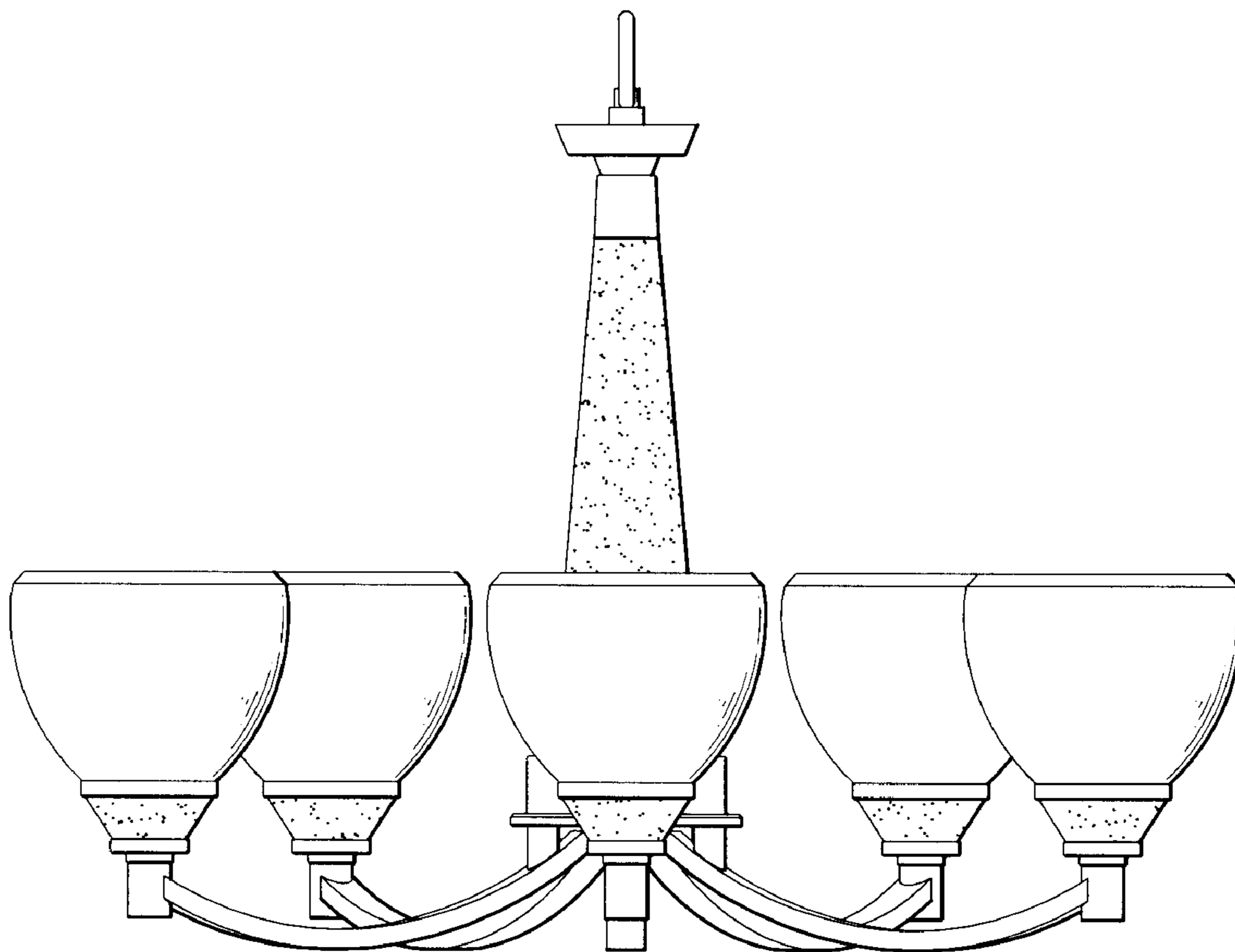


FIG. 5

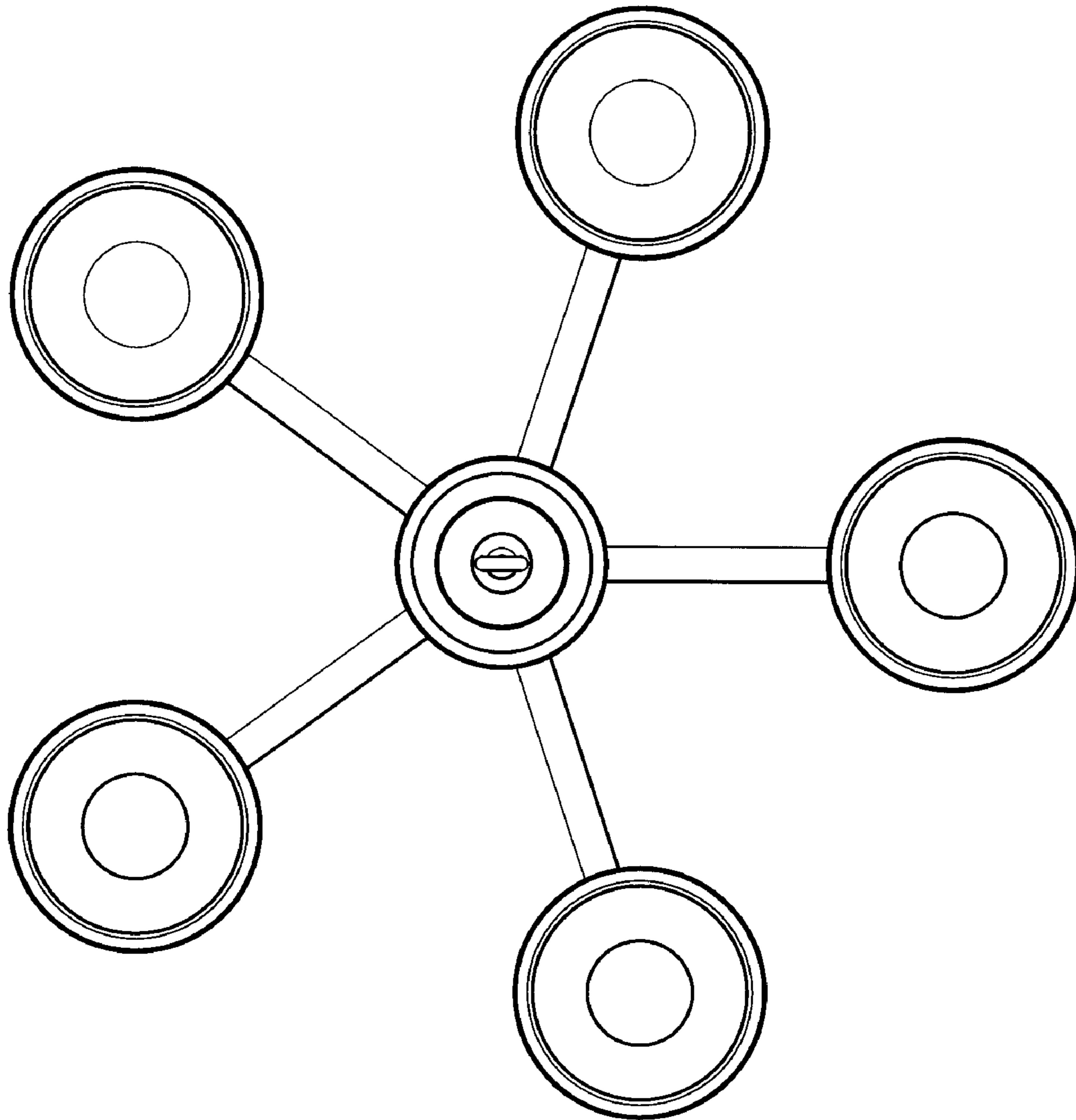


FIG. 6

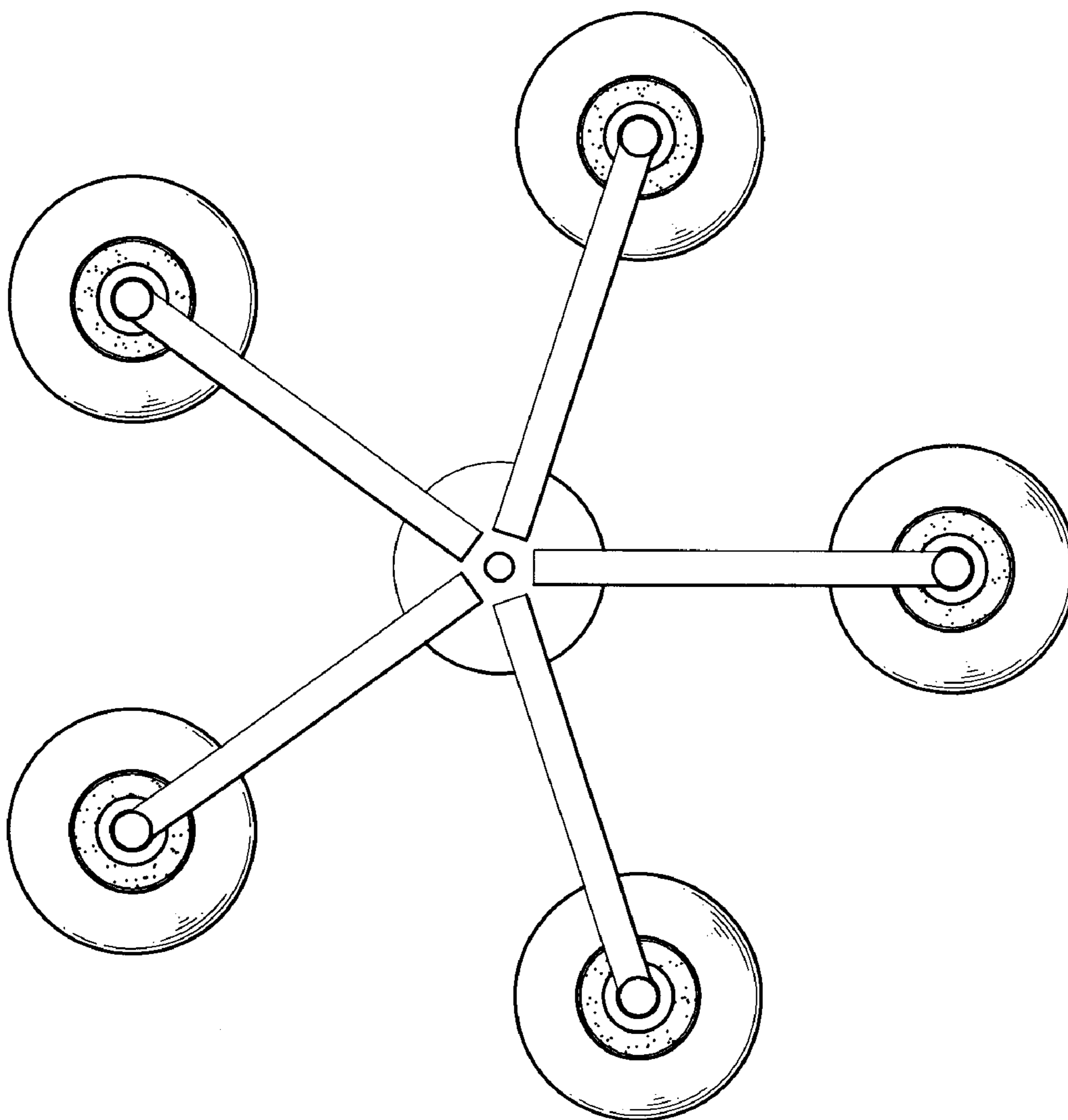


FIG. 7