



US00D539960S

(12) **United States Design Patent**  
**Hsu**

(10) **Patent No.:** **US D539,960 S**

(45) **Date of Patent:** **\*\* Apr. 3, 2007**

(54) **PENDENT LAMP**

(75) Inventor: **Kevin Hsu**, Taichung (TW)

(73) Assignee: **Dong Guan Bright Yinhuey Lighting Co., Ltd.**, Guang Dong (CN)

(\*\*) Term: **14 Years**

(21) Appl. No.: **29/259,143**

(22) Filed: **May 2, 2006**

(51) **LOC (8) Cl.** ..... **26-03**

(52) **U.S. Cl.** ..... **D26/81; D26/86**

(58) **Field of Classification Search** ..... D26/72,  
D26/80, 81-92, 143, 144; 362/147, 351,  
362/363, 404, 806

See application file for complete search history.

(56) **References Cited**

**U.S. PATENT DOCUMENTS**

D85,444 S \* 10/1931 Primakow ..... D26/84  
D435,133 S \* 12/2000 Miranda ..... D26/84

D470,967 S \* 2/2003 Rose ..... D26/81  
D520,668 S \* 5/2006 Brunner ..... D26/81  
D520,669 S \* 5/2006 Brunner ..... D26/81

\* cited by examiner

*Primary Examiner*—Clare E Heflin

(74) *Attorney, Agent, or Firm*—Alan D. Kamrath; Nikolai & Mersereau, P.A.

(57) **CLAIM**

The ornamental design for a pendent lamp, as shown and described.

**DESCRIPTION**

FIG. 1 is a perspective view of a pendent lamp showing my design;

FIG. 2 is a front elevational view thereof;

FIG. 3 is a rear elevational view thereof;

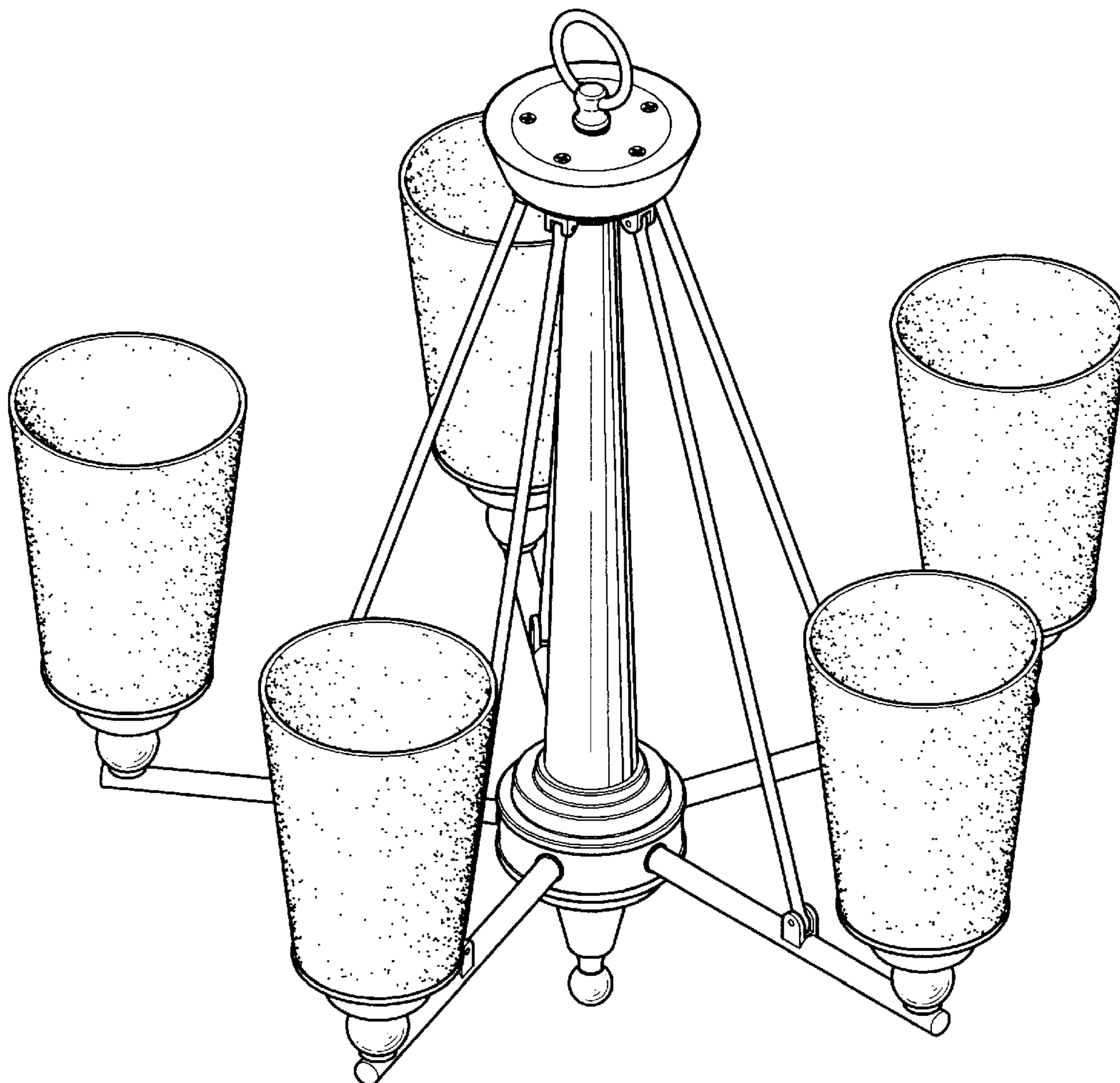
FIG. 4 is a left side elevational view thereof;

FIG. 5 is a right side elevational view thereof;

FIG. 6 is a top plan view thereof; and,

FIG. 7 is a bottom plan view thereof.

**1 Claim, 7 Drawing Sheets**



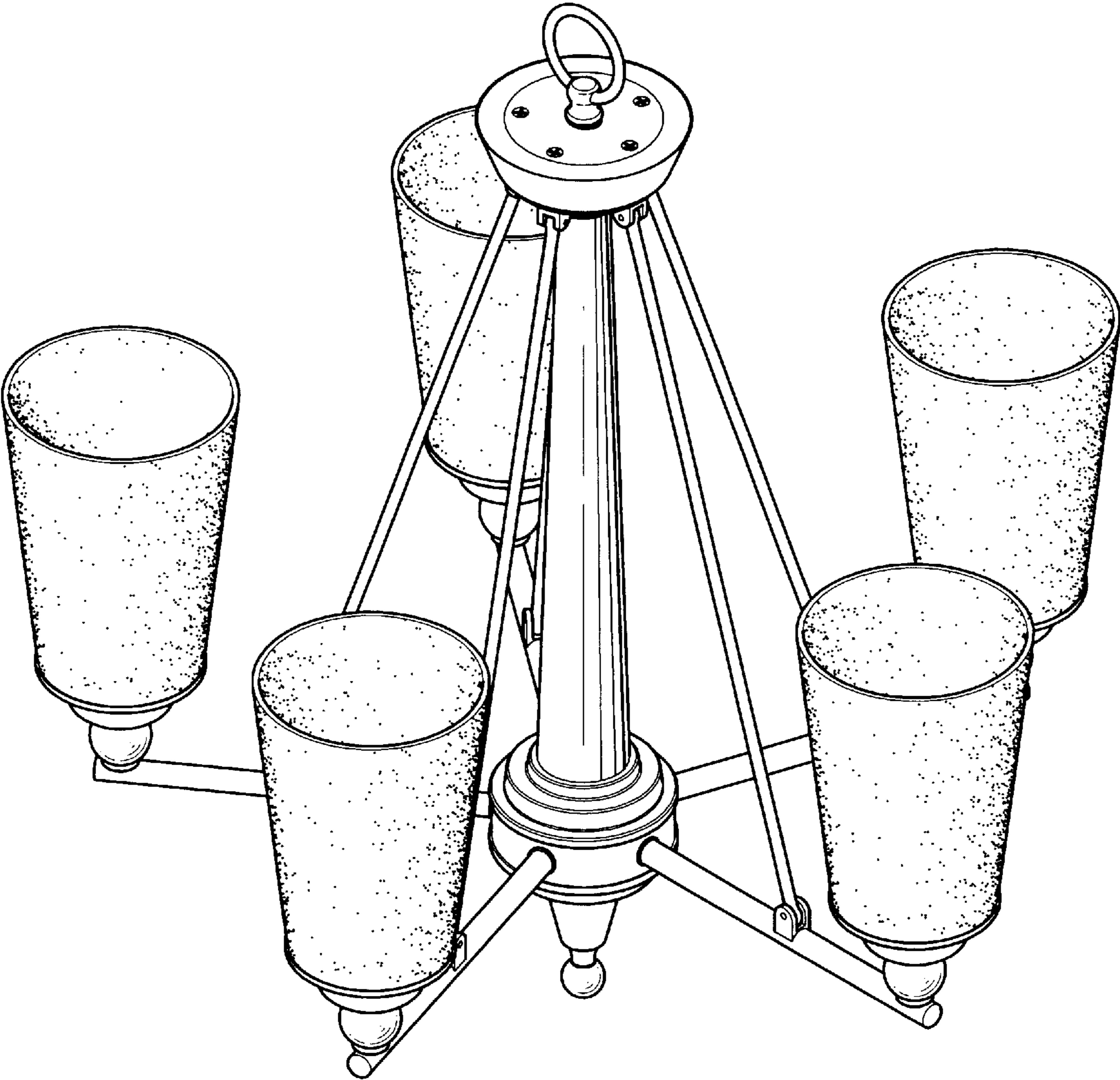


FIG. 1

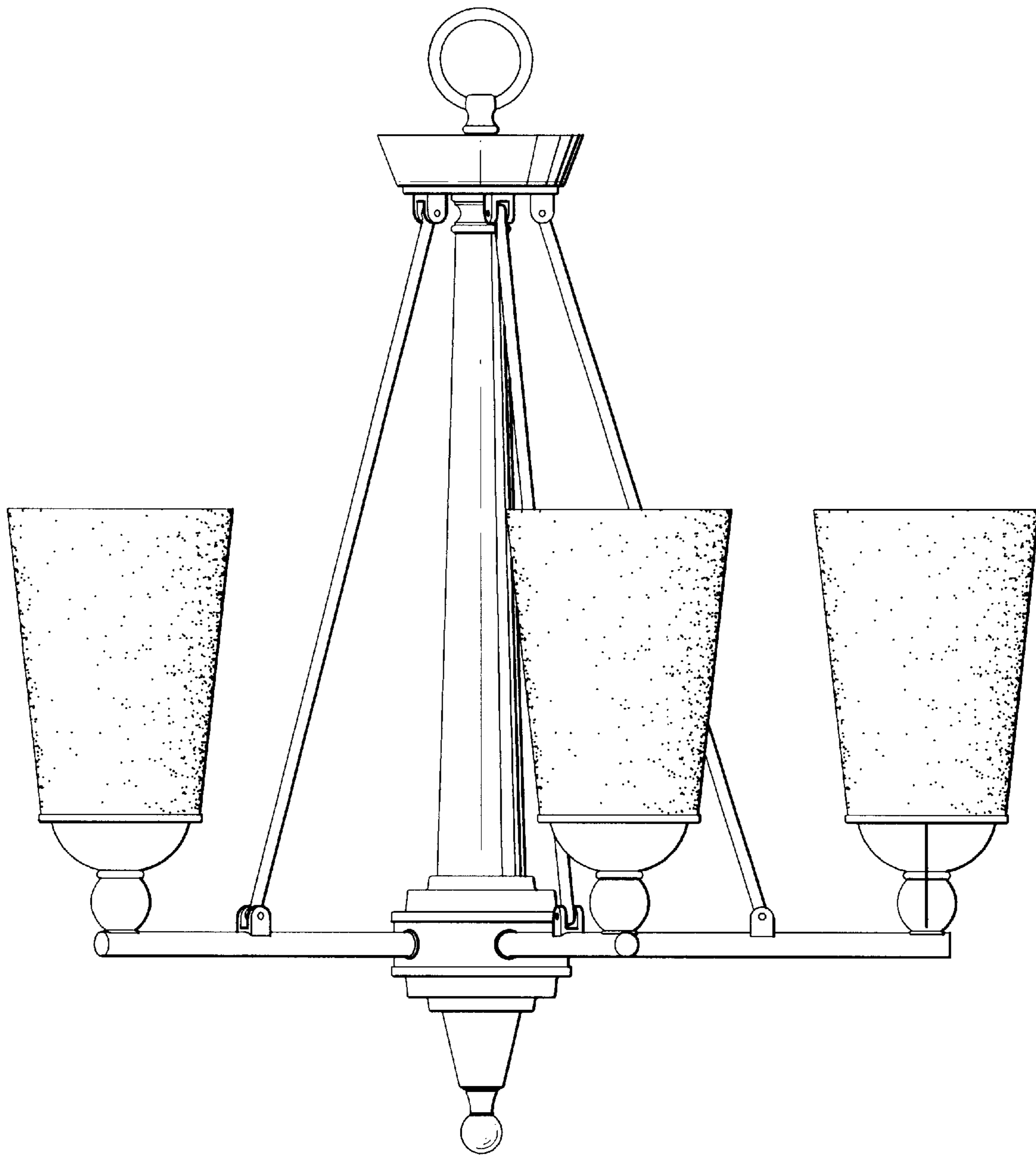


FIG. 2

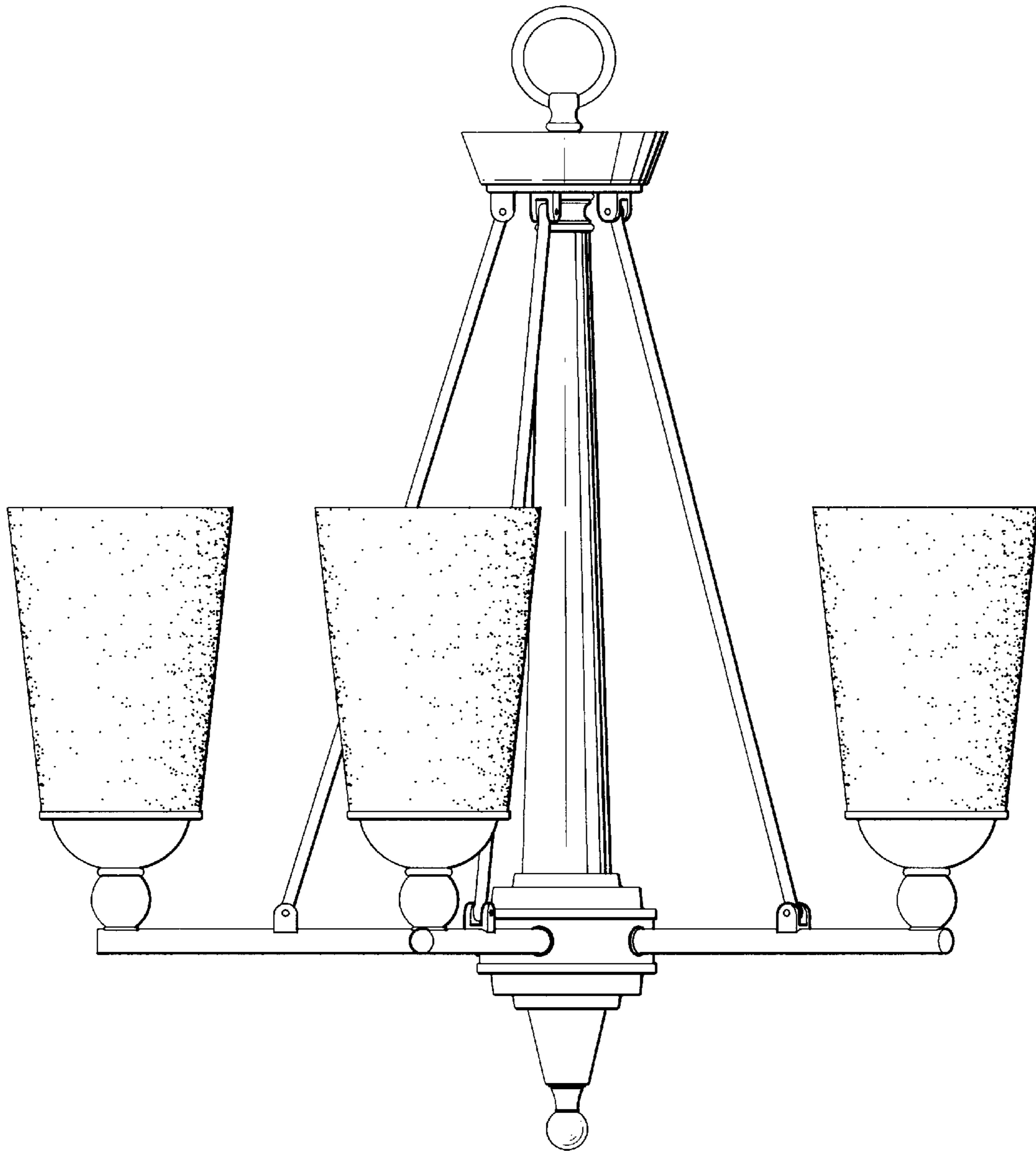


FIG. 3

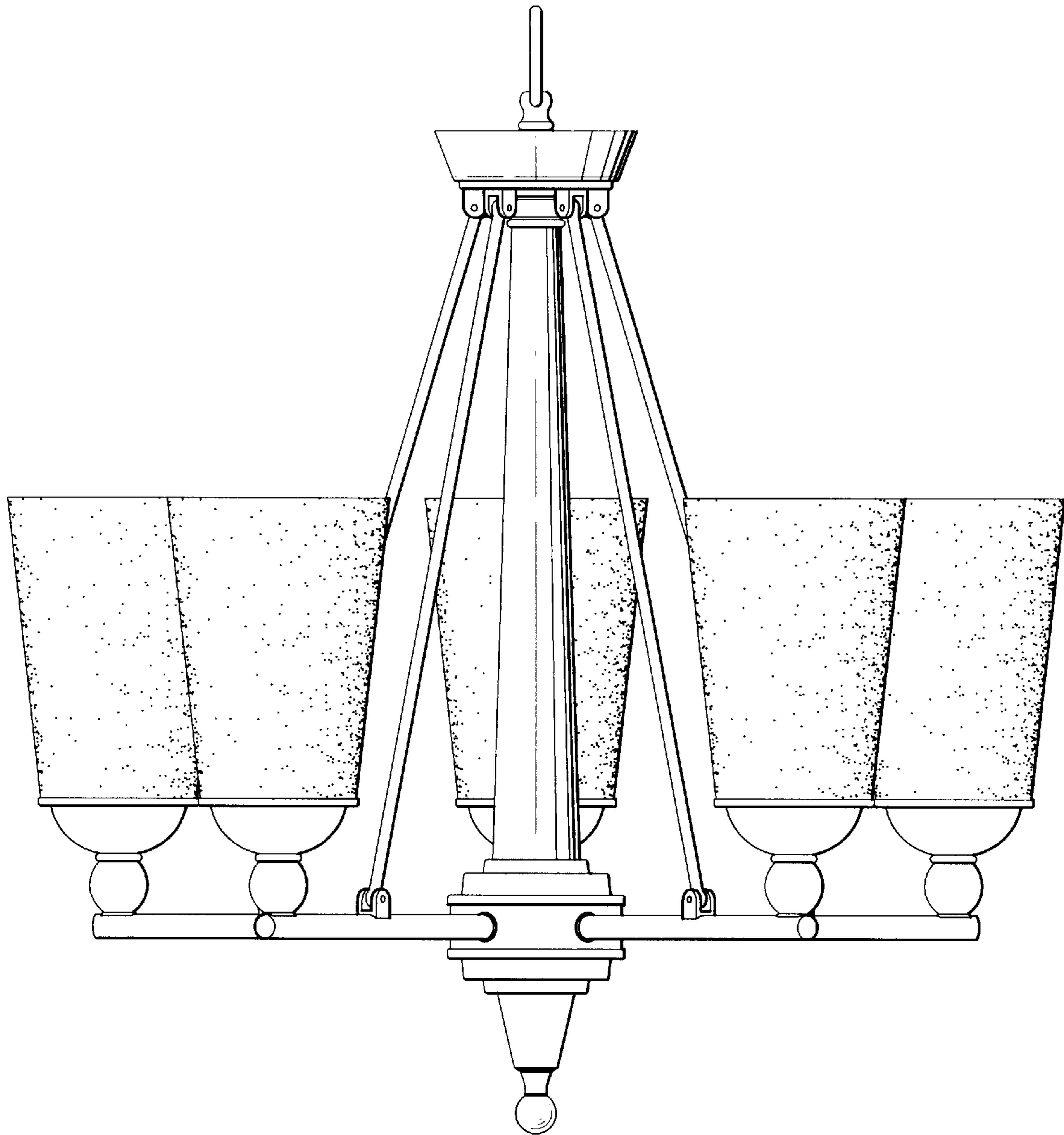


FIG. 4

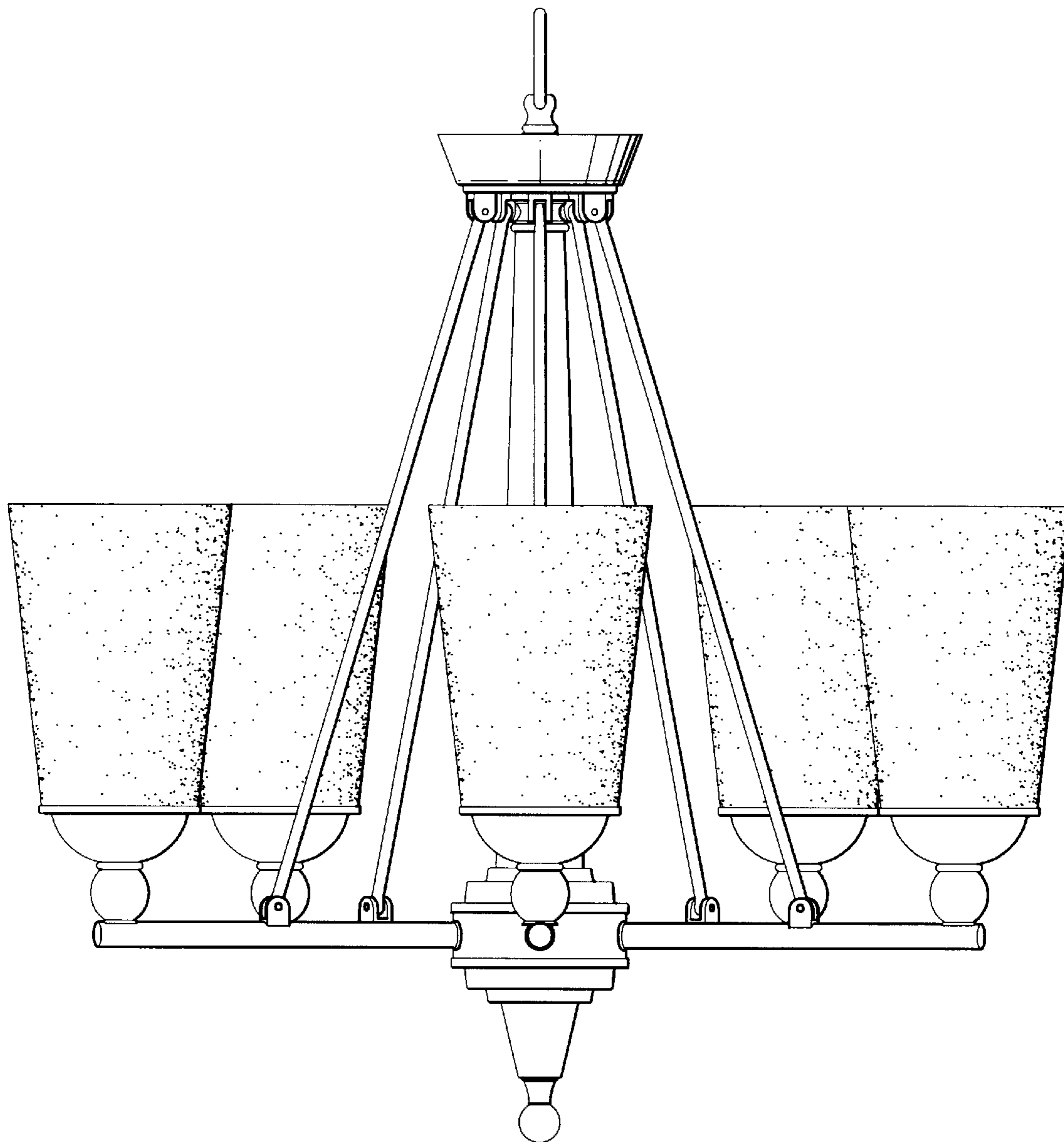


FIG. 5

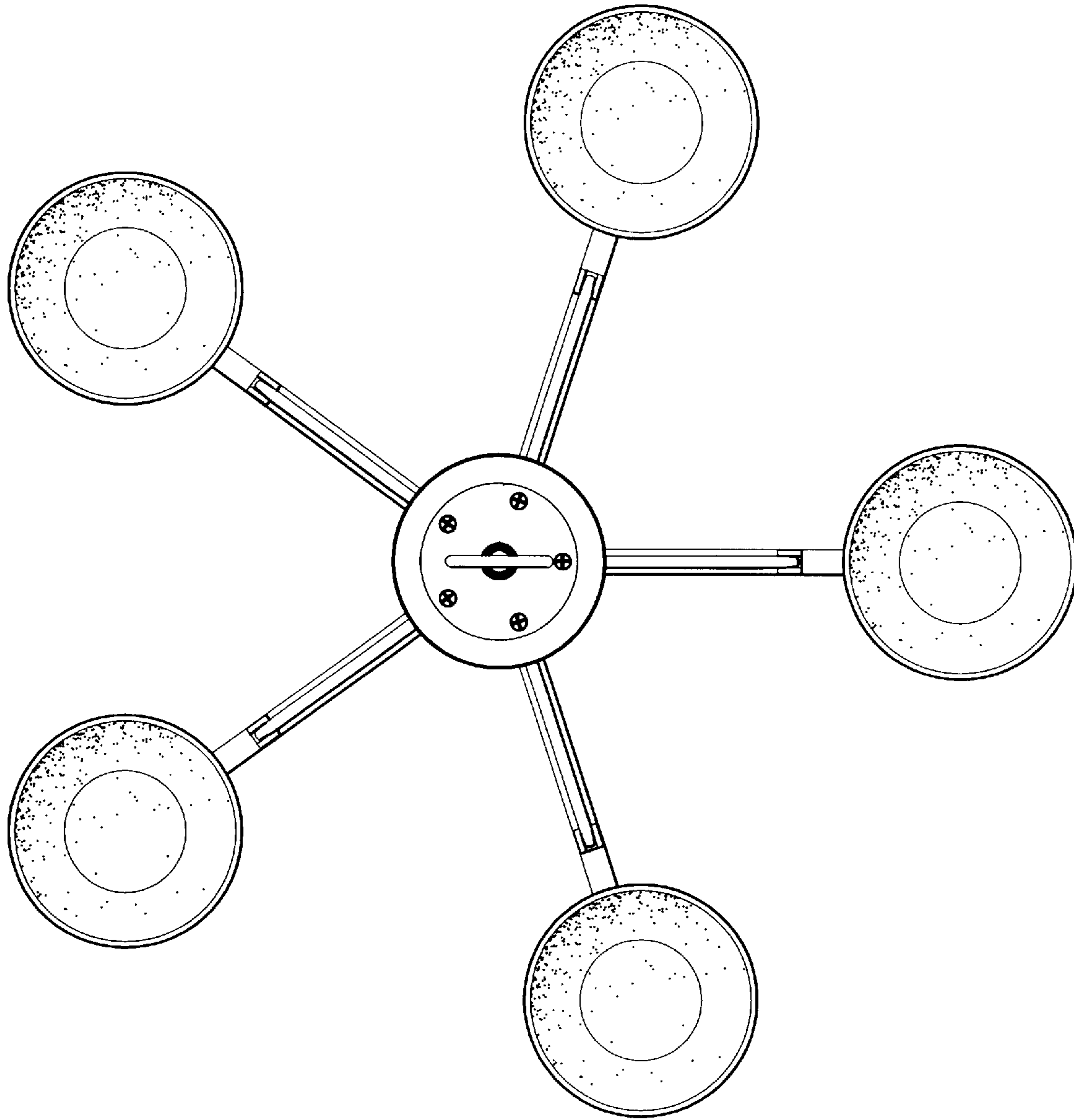


FIG. 6

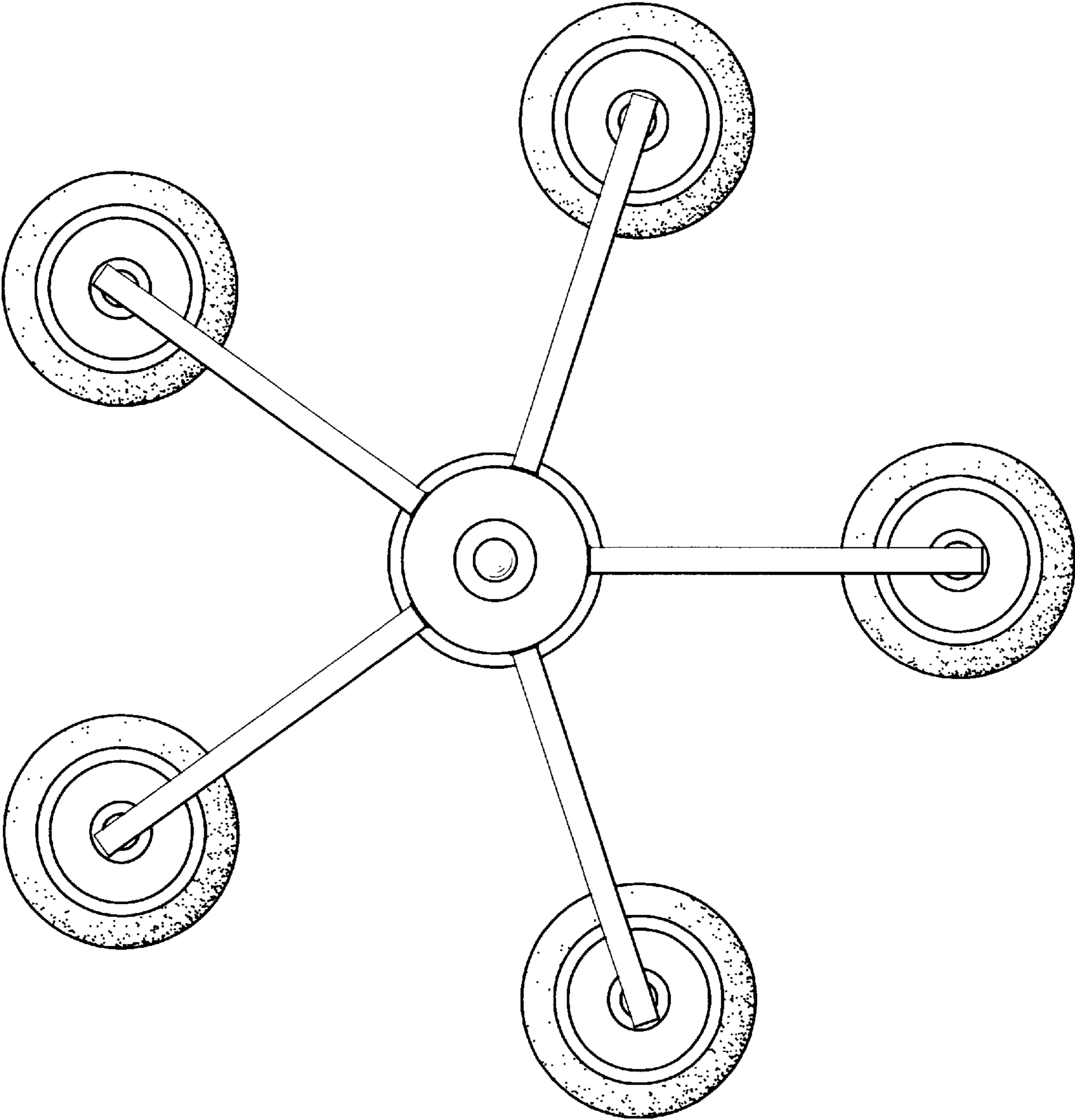


FIG. 7