



US00D539955S

(12) **United States Design Patent**
Yuen

(10) **Patent No.:** **US D539,955 S**

(45) **Date of Patent:** **** Apr. 3, 2007**

(54) **PORTABLE RECHARGEABLE HALOGEN SEARCHLIGHT**

D527,480 S * 8/2006 Yuen D26/46
D529,650 S * 10/2006 Yuen D26/46

(76) Inventor: **Se Kit Yuen**, 6/F., Yau Lee Centre, 45
Hoi Yuen Rd, Kwun Tong, Kowloon
(HK)

* cited by examiner

Primary Examiner—Marcus A. Jackson
(74) *Attorney, Agent, or Firm*—Akerman Senterfitt

(**) Term: **14 Years**

(57) **CLAIM**

(21) Appl. No.: **29/246,773**

The ornamental design of a portable rechargeable halogen searchlight, as shown and described.

(22) Filed: **May 9, 2006**

DESCRIPTION

(51) **LOC (8) Cl.** **26-02**

(52) **U.S. Cl.** **D26/46**

(58) **Field of Classification Search** D26/37–50;
362/157, 158, 171–174, 183–208
See application file for complete search history.

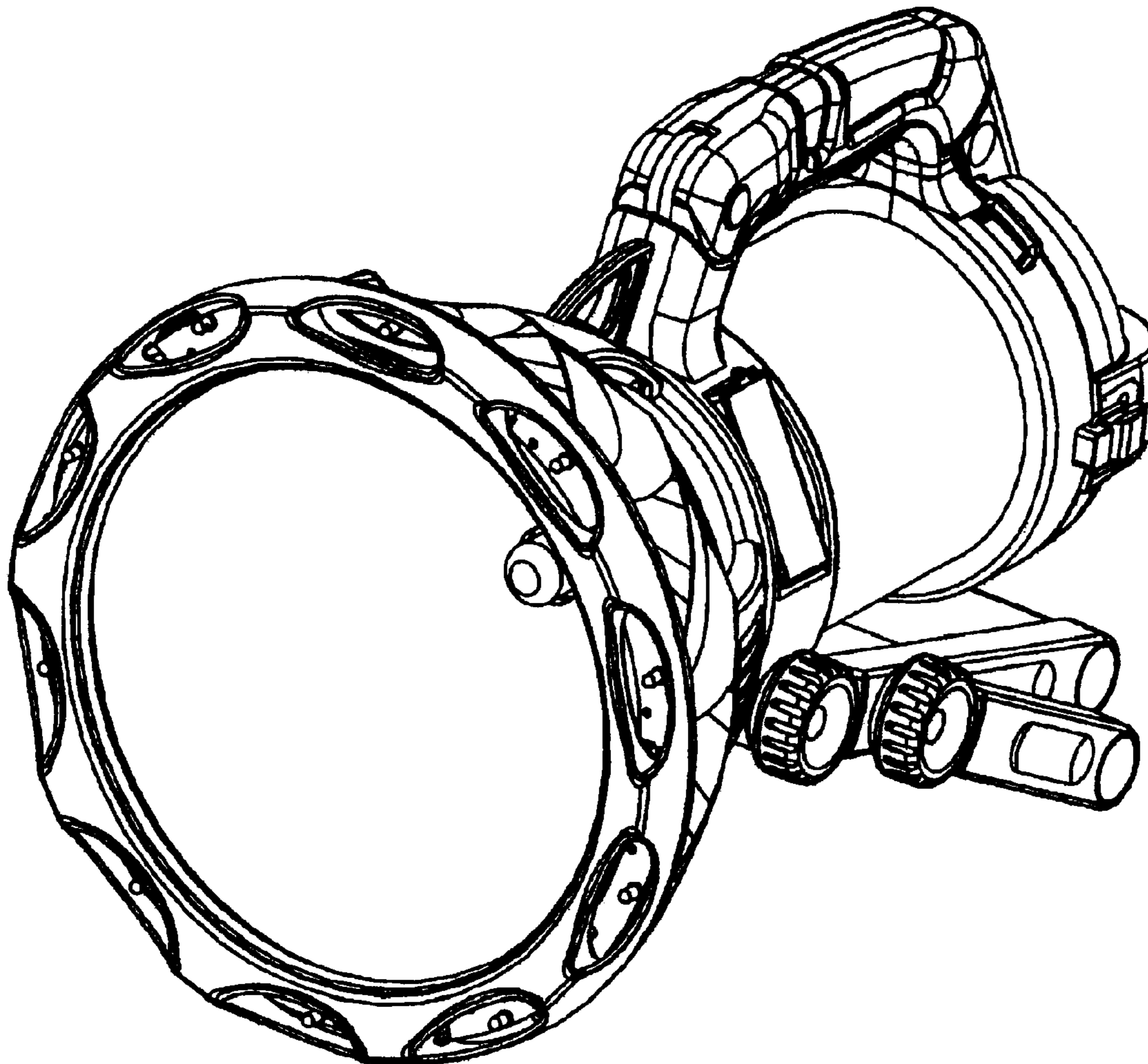
FIG. 1 is a perspective of front, top, side view of the portable rechargeable halogen searchlight;
FIG. 2 is a perspective of rear, top, other side view of the portable rechargeable halogen searchlight;
FIG. 3 is a front view thereof;
FIG. 4 is a rear view thereof;
FIG. 5 is a side view thereof;
FIG. 6 is an other side view thereof;
FIG. 7 is a top view thereof; and,
FIG. 8 is a bottom view thereof.

(56) **References Cited**

U.S. PATENT DOCUMENTS

D494,297 S * 8/2004 Yuen D26/46
D518,908 S * 4/2006 Yuen D26/46
D524,471 S * 7/2006 Yuen D26/46

1 Claim, 6 Drawing Sheets



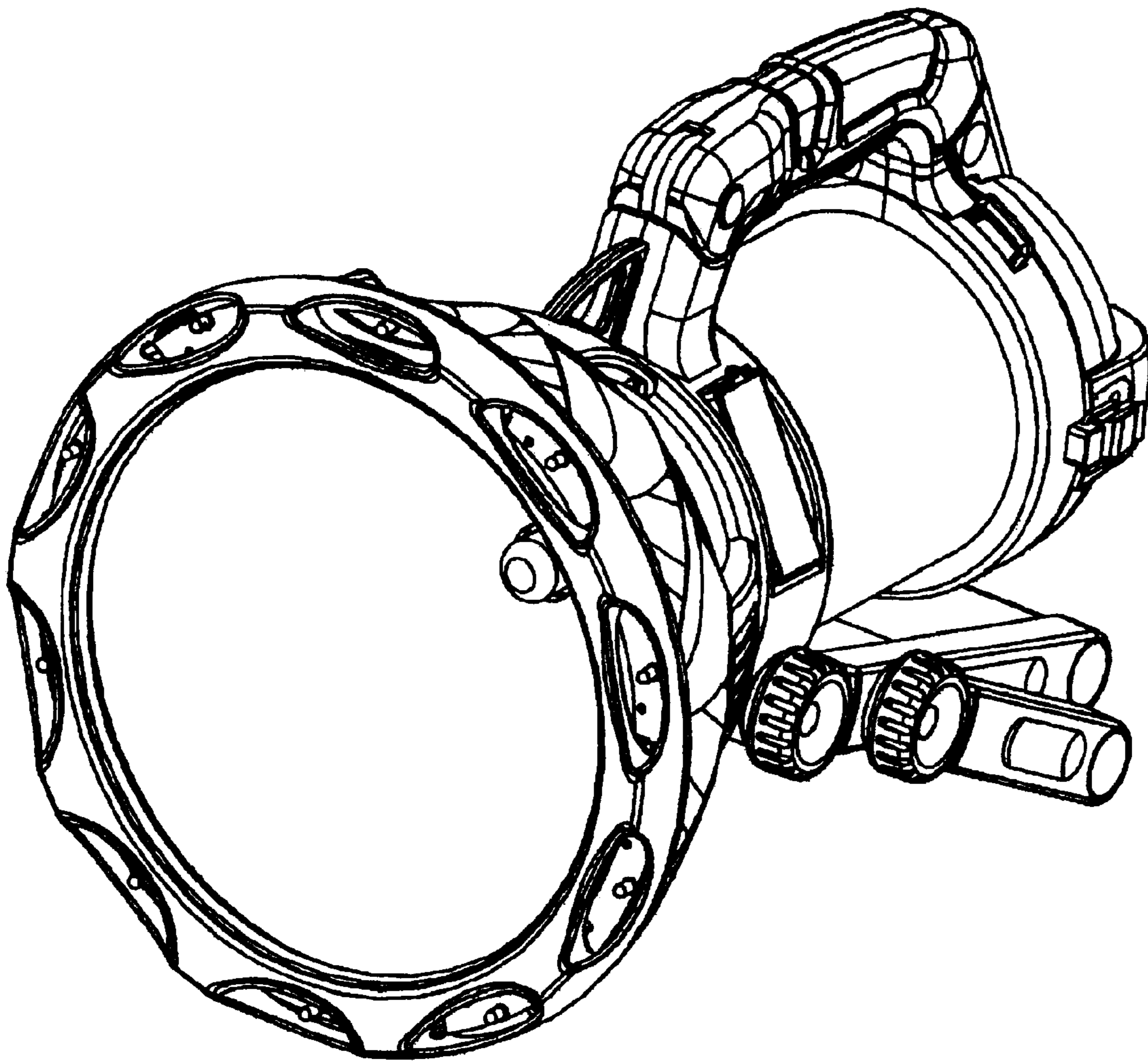


FIG. 1

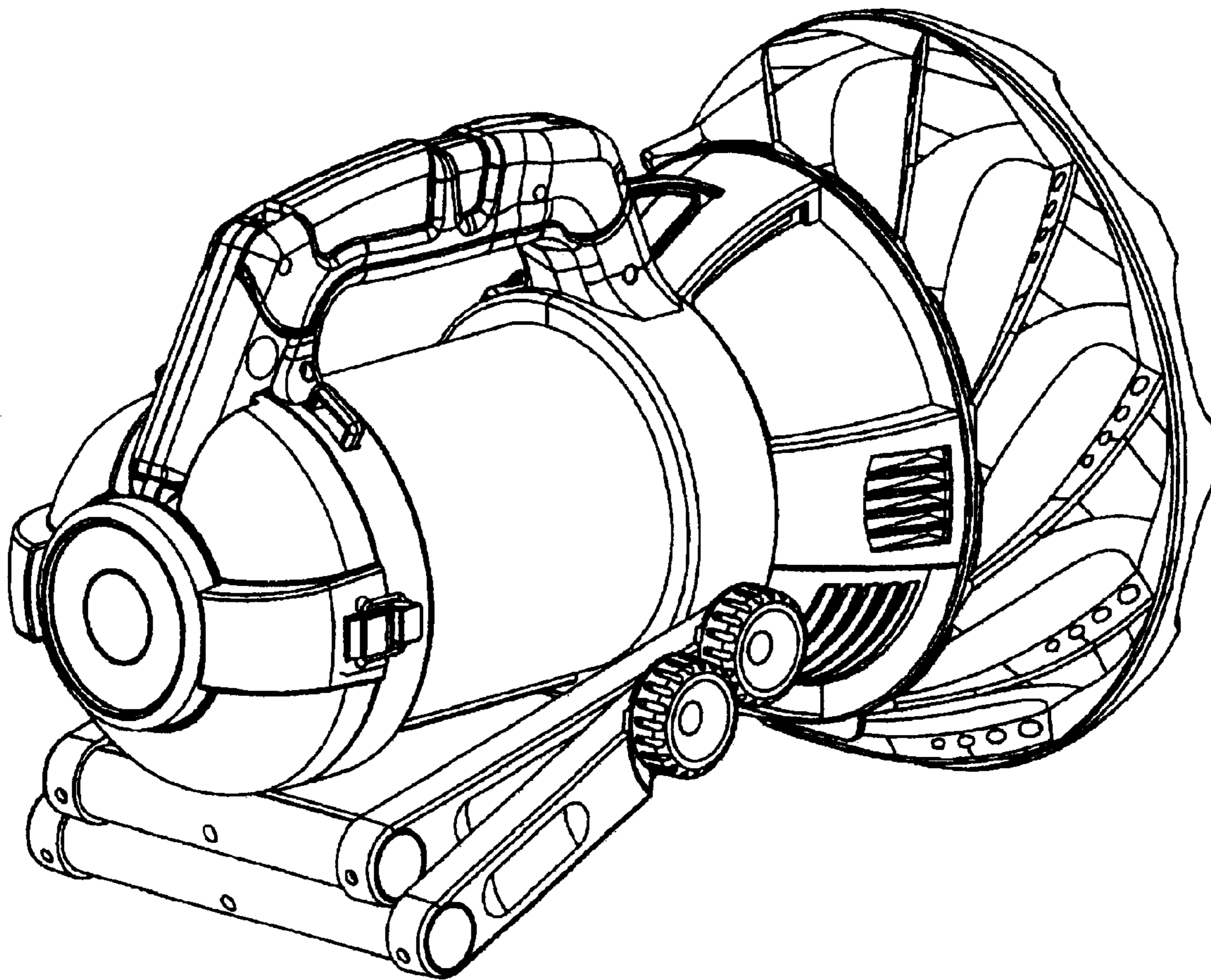


FIG. 2

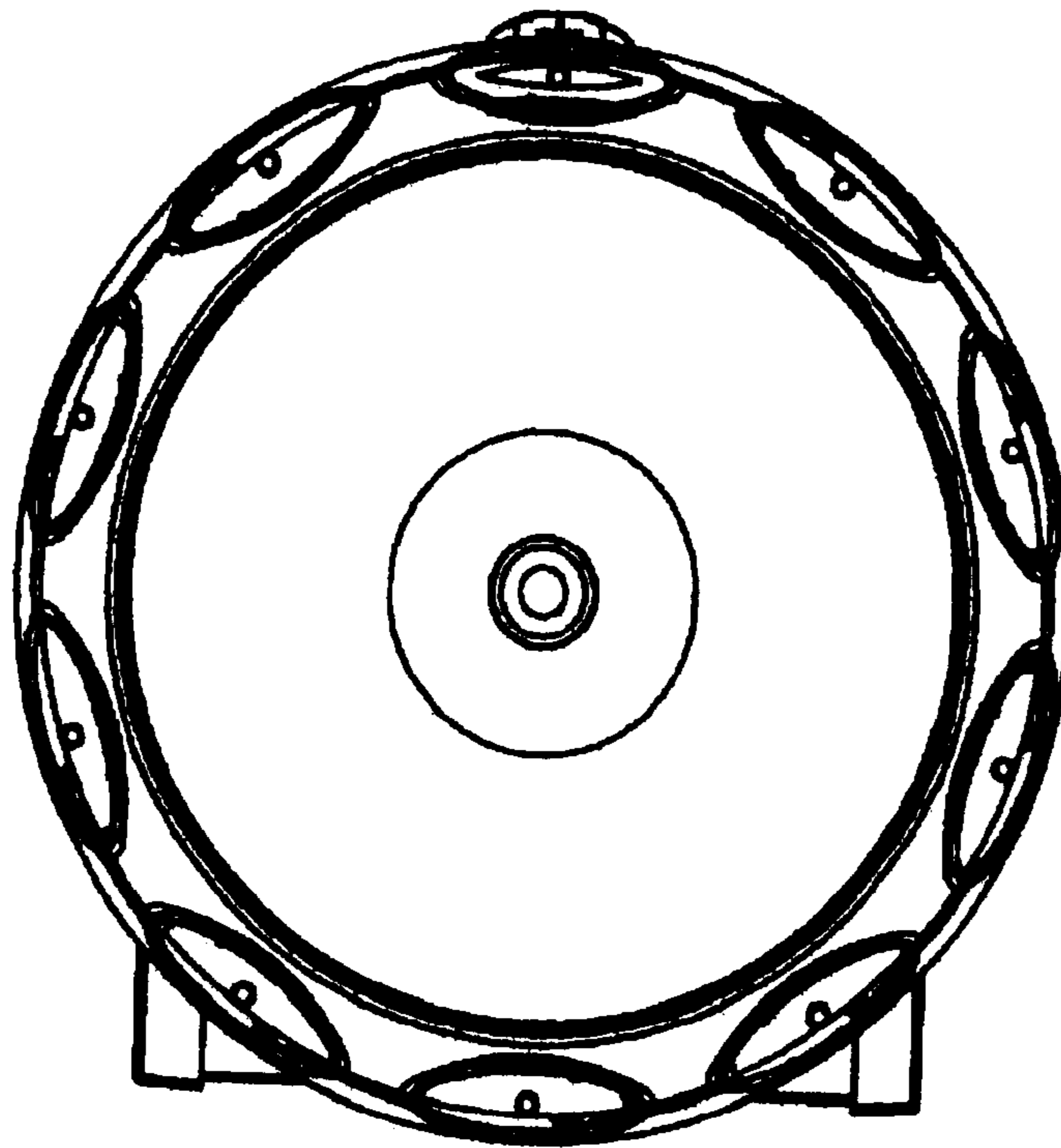


FIG. 3

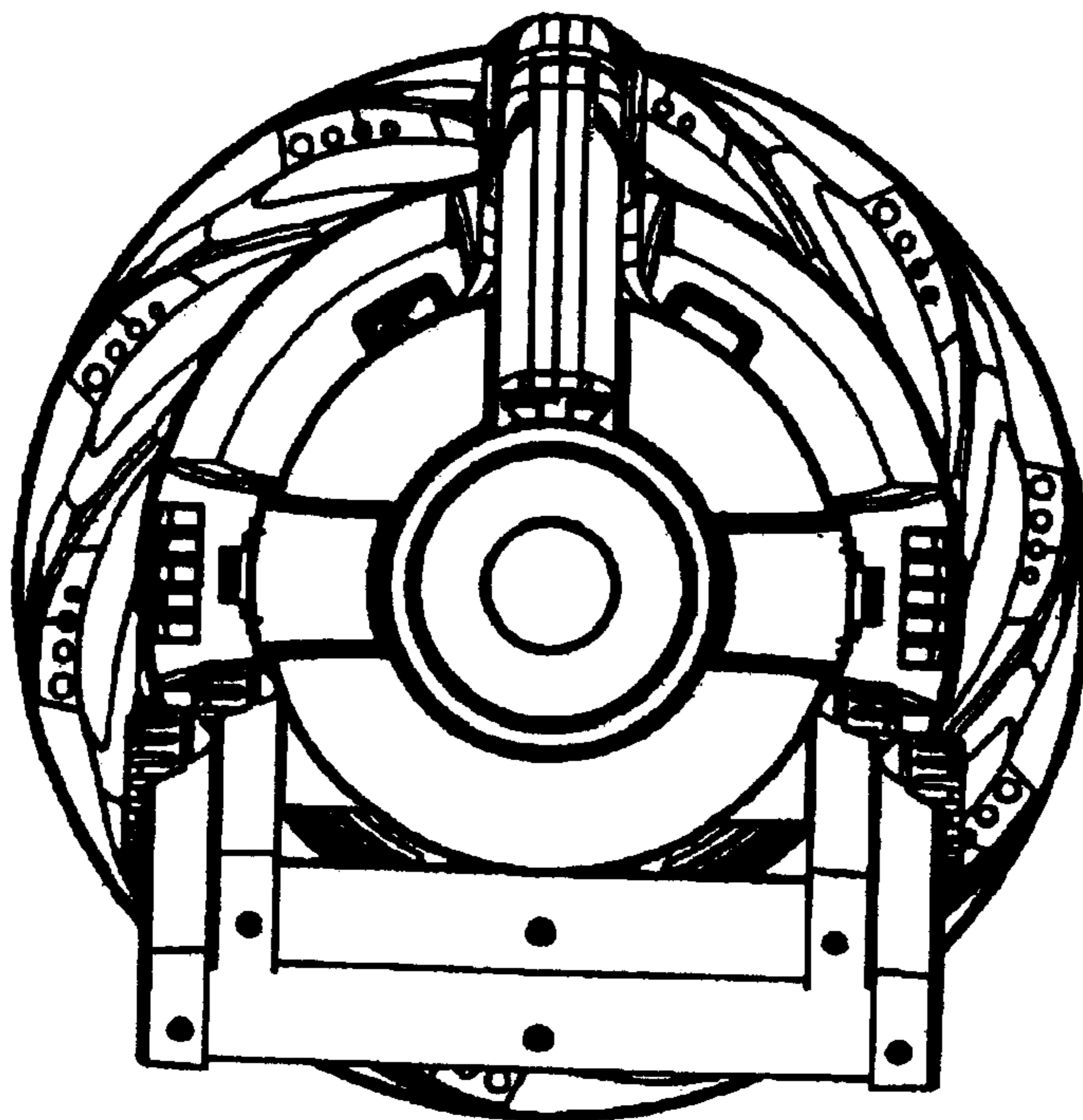


FIG. 4

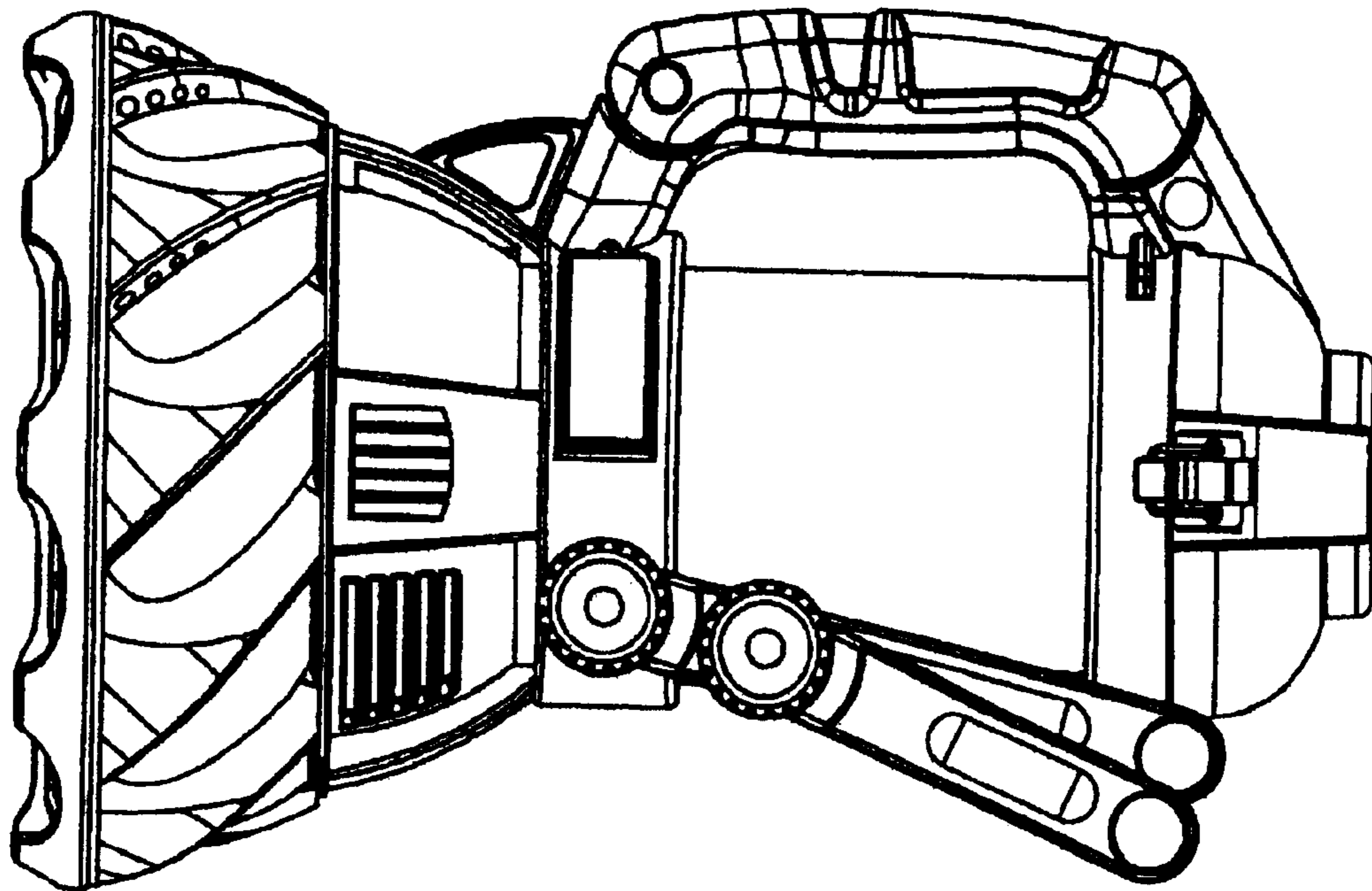


FIG. 5

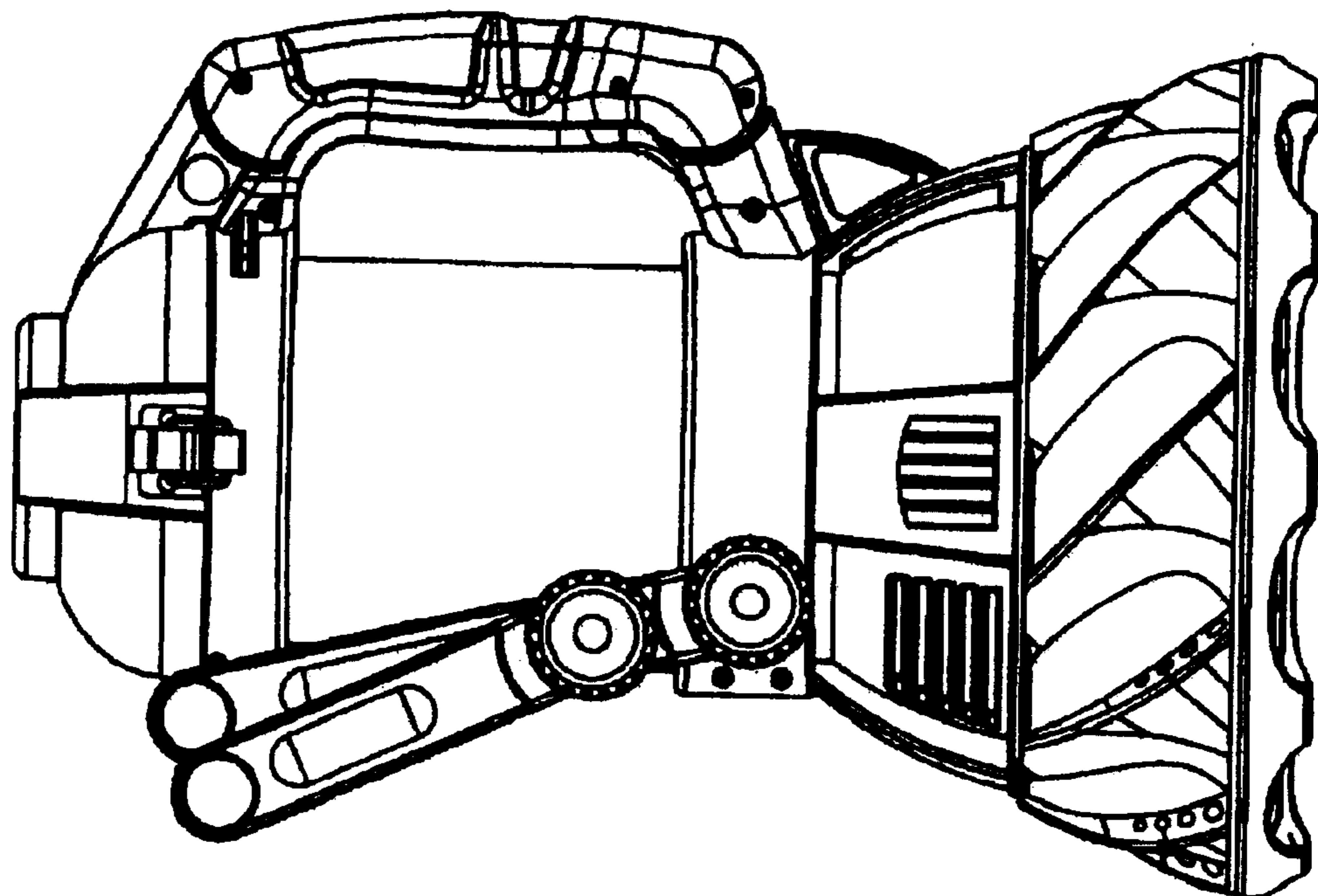


FIG. 6

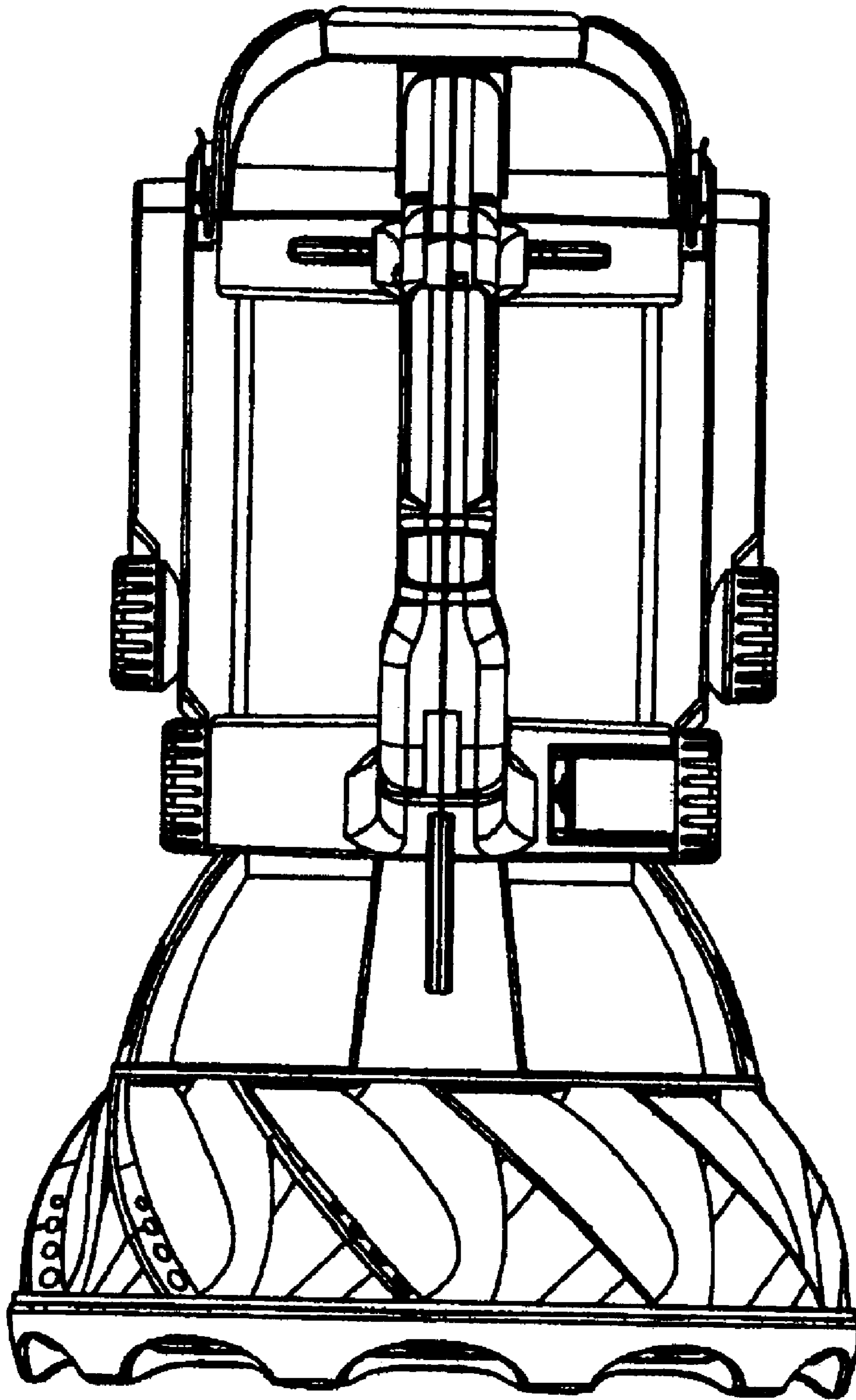


FIG. 7

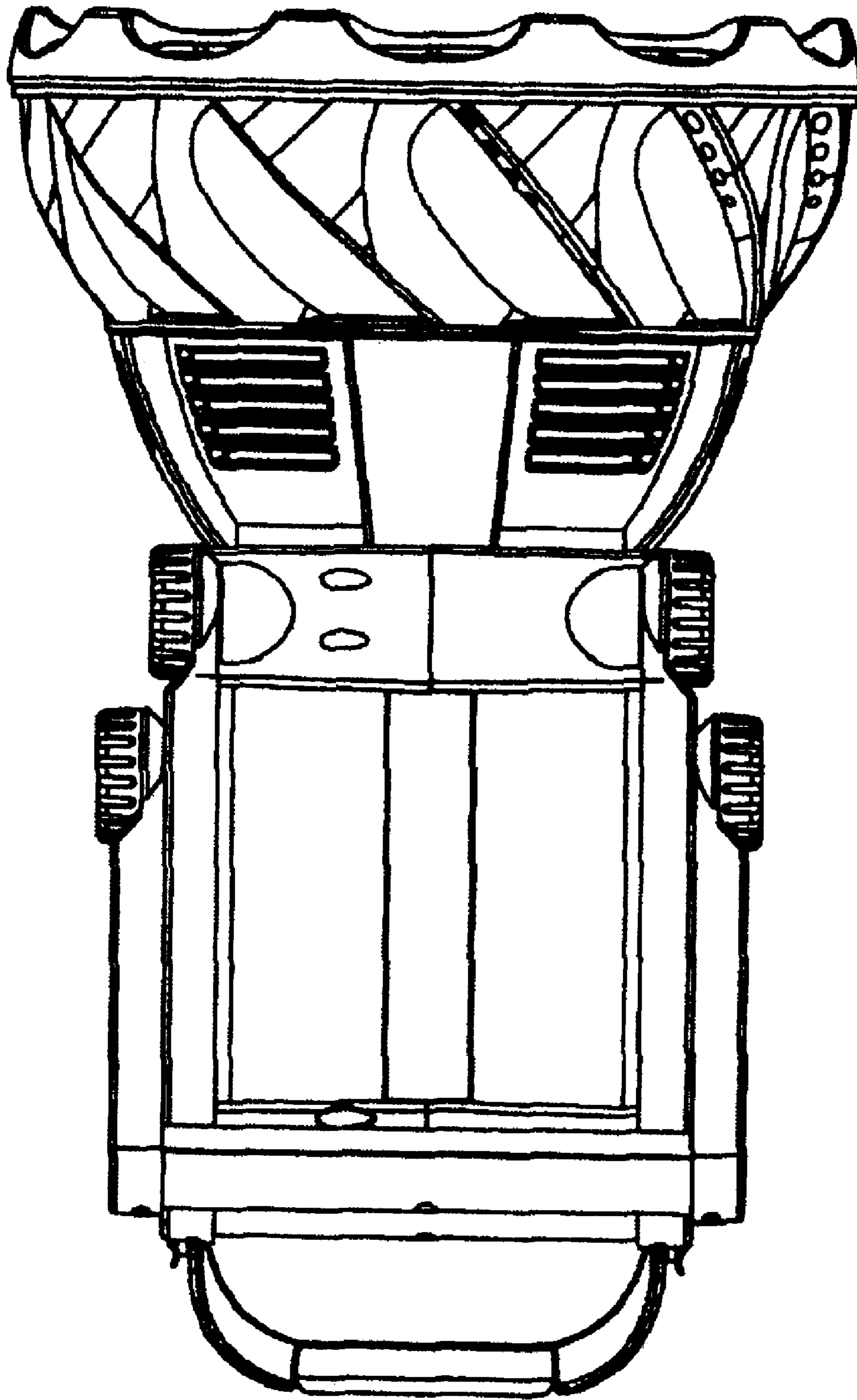


FIG. 8