



US00D539954S

(12) **United States Design Patent**  
**Yen**

(10) **Patent No.:** **US D539,954 S**

(45) **Date of Patent:** **\*\* Apr. 3, 2007**

(54) **CAMP LAMP**

D486,598 S \* 2/2004 Lo ..... D26/40  
D527,128 S \* 8/2006 Lo et al. .... D26/40

(76) Inventor: **Jen-Yen Yen**, 4-3C Fl, No. 532, Sec. 1,  
Tai-Yhan Rd, Taichung City (TW), 404

\* cited by examiner

(\*\*) Term: **14 Years**

*Primary Examiner*—Marcus A. Jackson

(21) Appl. No.: **29/252,347**

(57) **CLAIM**

(22) Filed: **Jan. 23, 2006**

The ornamental design for a camp lamp, as shown and described.

(51) **LOC (8) Cl.** ..... **26-02**

**DESCRIPTION**

(52) **U.S. Cl.** ..... **D26/40**

(58) **Field of Classification Search** ..... D26/37-50;  
362/157, 158, 171-174, 183-208  
See application file for complete search history.

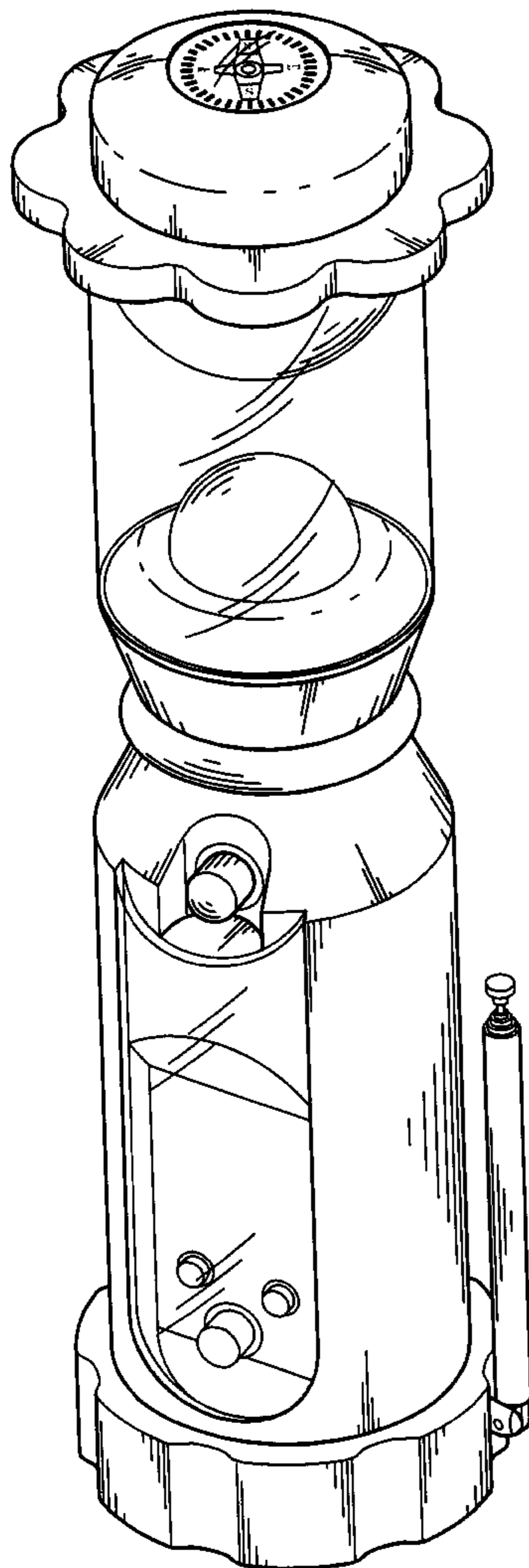
FIG. 1 is a perspective view of a camp lamp showing my new design;  
FIG. 2 is a top plain view thereof;  
FIG. 3 is a bottom plain view thereof;  
FIG. 4 is a front elevational view thereof;  
FIG. 5 is a rear elevational view thereof;  
FIG. 6 is a left side elevational view thereof; and,  
FIG. 7 is a right side elevational view thereof.

(56) **References Cited**

**U.S. PATENT DOCUMENTS**

D424,726 S \* 5/2000 Petterson et al. .... D26/40  
D468,039 S \* 12/2002 Poon ..... D26/40  
D485,385 S \* 1/2004 Lo ..... D26/40

**1 Claim, 4 Drawing Sheets**



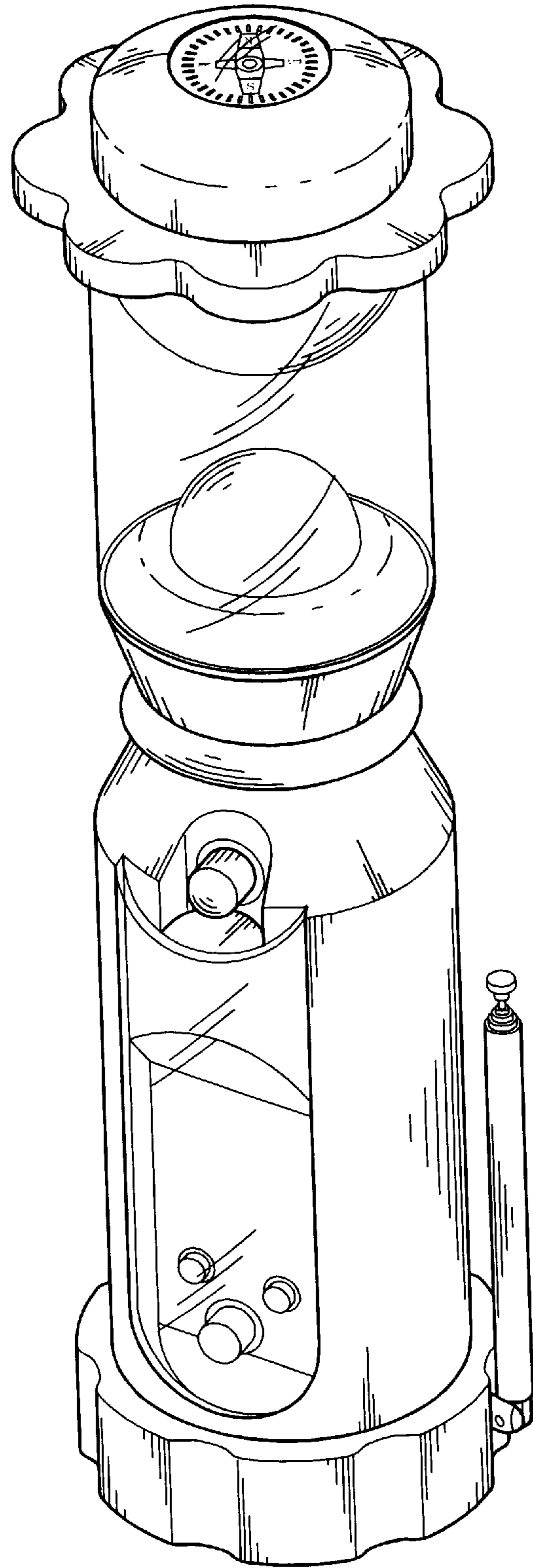


FIG. 1

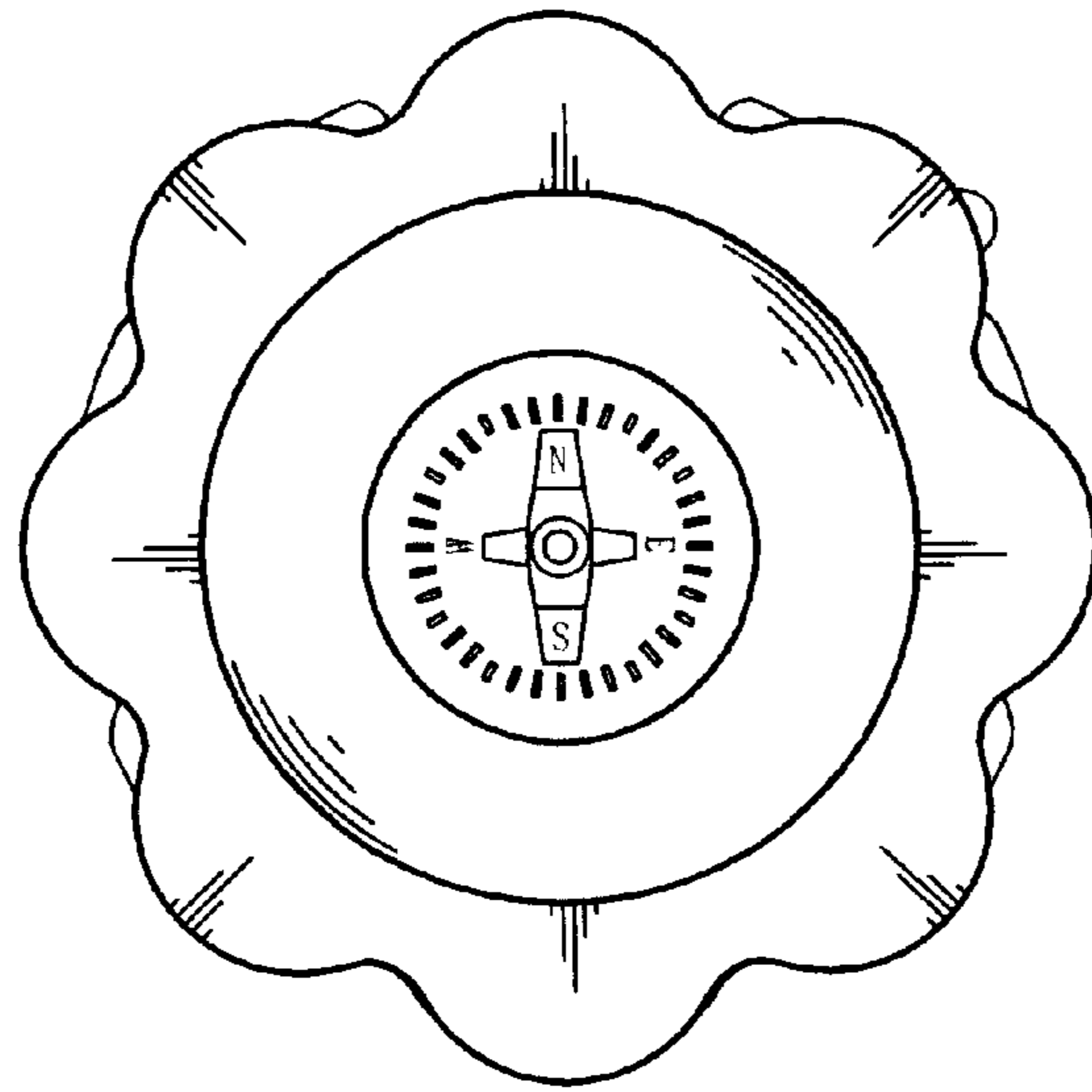


FIG. 2

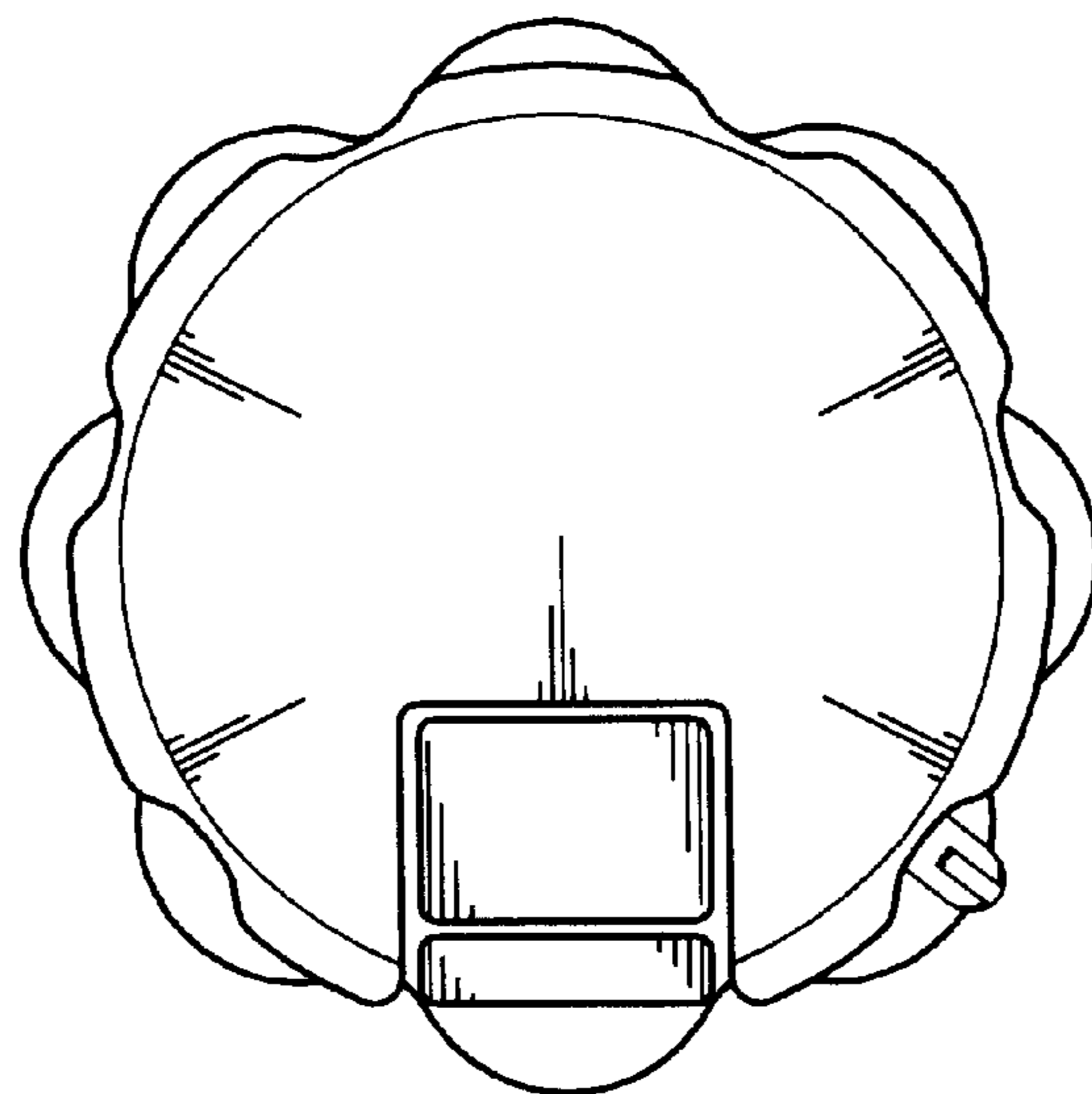


FIG. 3

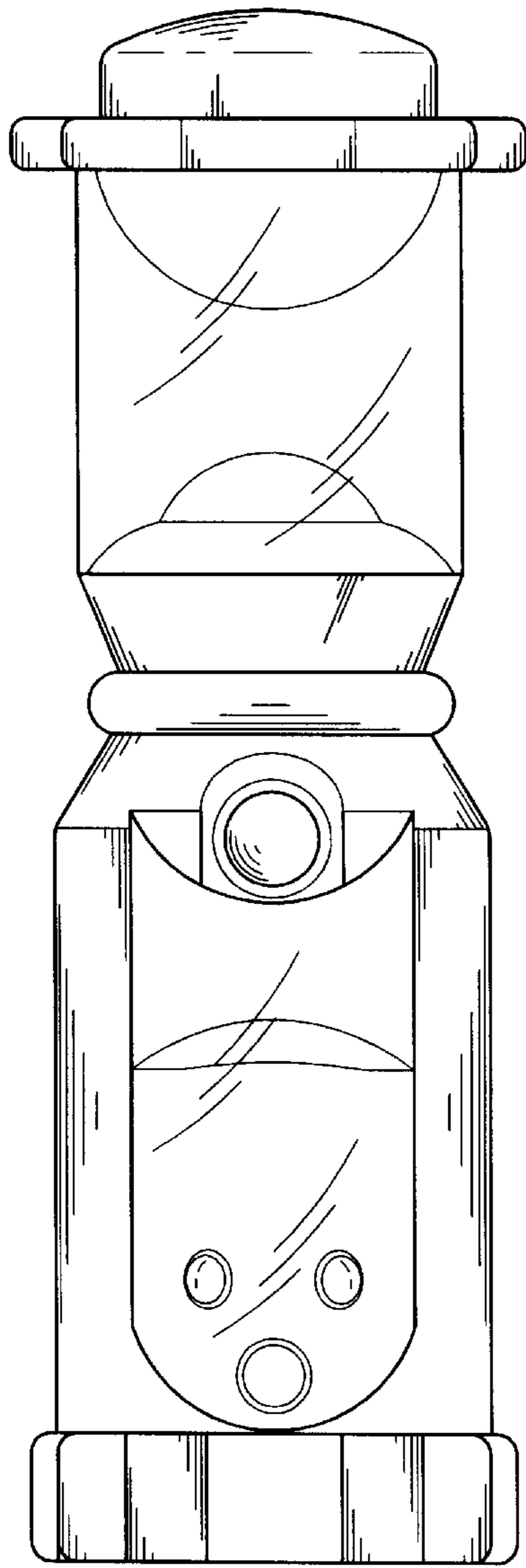


FIG. 4

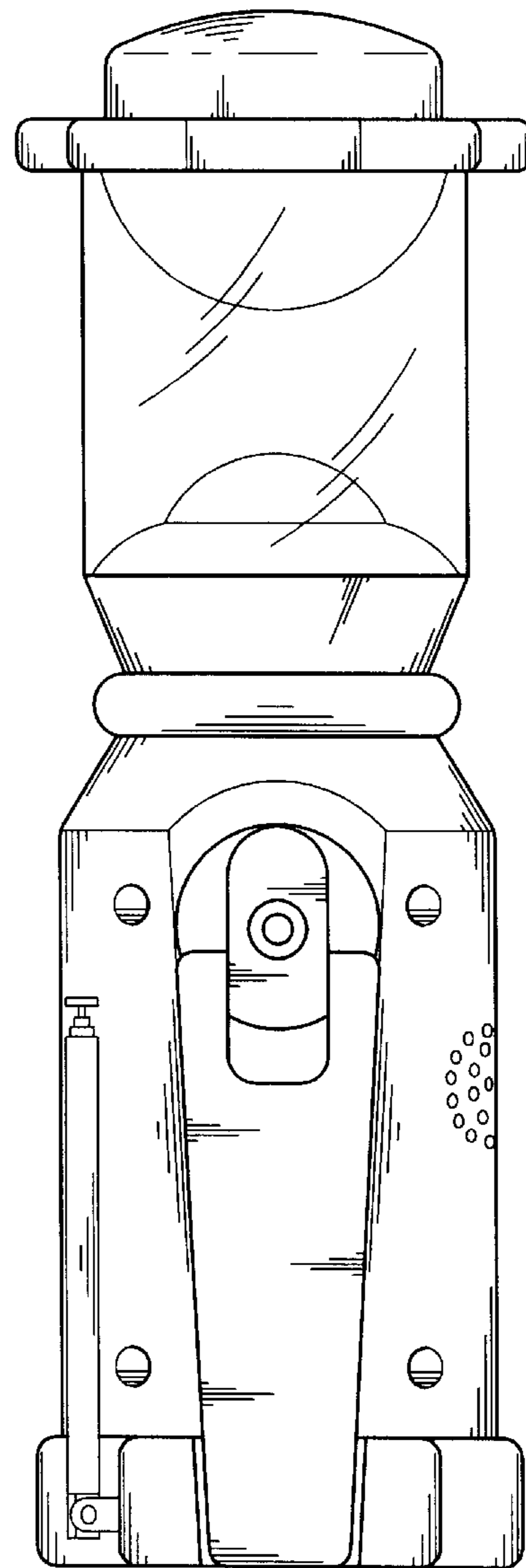


FIG. 5

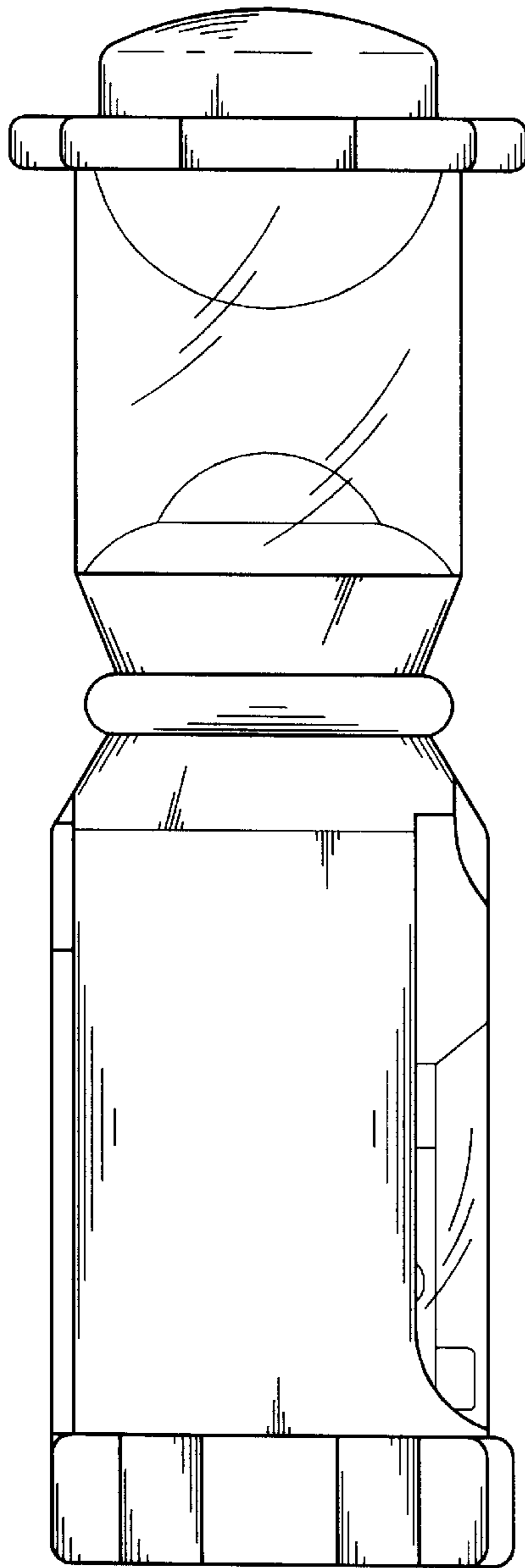


FIG. 6

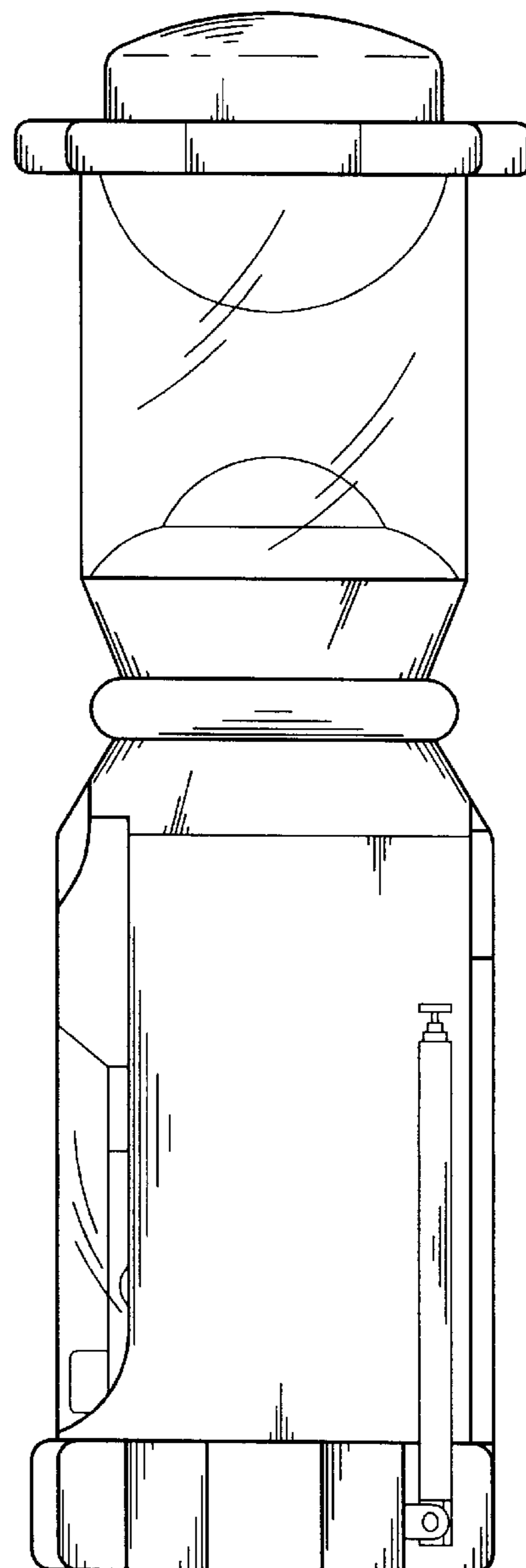


FIG. 7