

US00D539952S

(12) **United States Design Patent**  
**Iranyi et al.**

(10) **Patent No.:** **US D539,952 S**

(45) **Date of Patent:** **\*\* Apr. 3, 2007**

(54) **MEDICAL HEADLIGHT**

(75) Inventors: **Daniel Iranyi**, Cham (CH); **Martin Schuetz**, Zurich (CH)

(73) Assignee: **Karl Storz GmbH & Co. KG** (DE)

(\*\*) Term: **14 Years**

(21) Appl. No.: **29/233,611**

(22) Filed: **Jul. 7, 2005**

(30) **Foreign Application Priority Data**

Nov. 1, 2005 (CH) ..... 00276944

(51) **LOC (8) Cl.** ..... **26-02**

(52) **U.S. Cl.** ..... **D26/39**

(58) **Field of Classification Search** ..... D26/37-50;  
362/157, 158, 171-174, 183-208

See application file for complete search history.

(56) **References Cited**

**U.S. PATENT DOCUMENTS**

|             |        |          |             |               |
|-------------|--------|----------|-------------|---------------|
| 5,774,271 A | 6/1998 | Lagerway | .....       | 359/649       |
| D406,371 S  | *      | 3/1999   | Van Der Bel | ..... D26/39  |
| D427,982 S  | *      | 7/2000   | Ishii       | ..... D14/372 |
| D441,111 S  | *      | 4/2001   | Van Der Bel | ..... D26/39  |
| D489,838 S  | *      | 5/2004   | Opolka      | ..... D26/39  |
| D503,817 S  | *      | 4/2005   | Shiu        | ..... D26/39  |

**FOREIGN PATENT DOCUMENTS**

|    |                |         |
|----|----------------|---------|
| DE | 25 30 939 C2   | 1/1977  |
| DE | 89 05 819.4 U1 | 10/1989 |

**OTHER PUBLICATIONS**

Advertising Literature, *superspot*-Stirnlampe, Explorent GmbH-Germany, Nov. 2002.

Advertising Literature, Karl Storz-Endoskope, Apr. 1995.

\* cited by examiner

*Primary Examiner*-Marcus A. Jackson

(74) *Attorney, Agent, or Firm*-St. Onge Steward Johnston & Reens LLC

(57) **CLAIM**

The ornamental design for "medical headlight," as shown and described.

**DESCRIPTION**

FIG. 1 is a front perspective view of a medical headlight in accordance with the new design;

FIG. 2 is a top plan view of the medical headlight of FIG. 1;

FIG. 3 is a front elevational view of the medical headlight of FIG. 1;

FIG. 4 is a rear elevational view of the medical headlight of FIG. 1;

FIG. 5 is a bottom view of the medical headlight of FIG. 1;

FIG. 6 is a right side view of the medical headlight of FIG. 1;

FIG. 7 is a left side view of the medical headlight of FIG. 1;

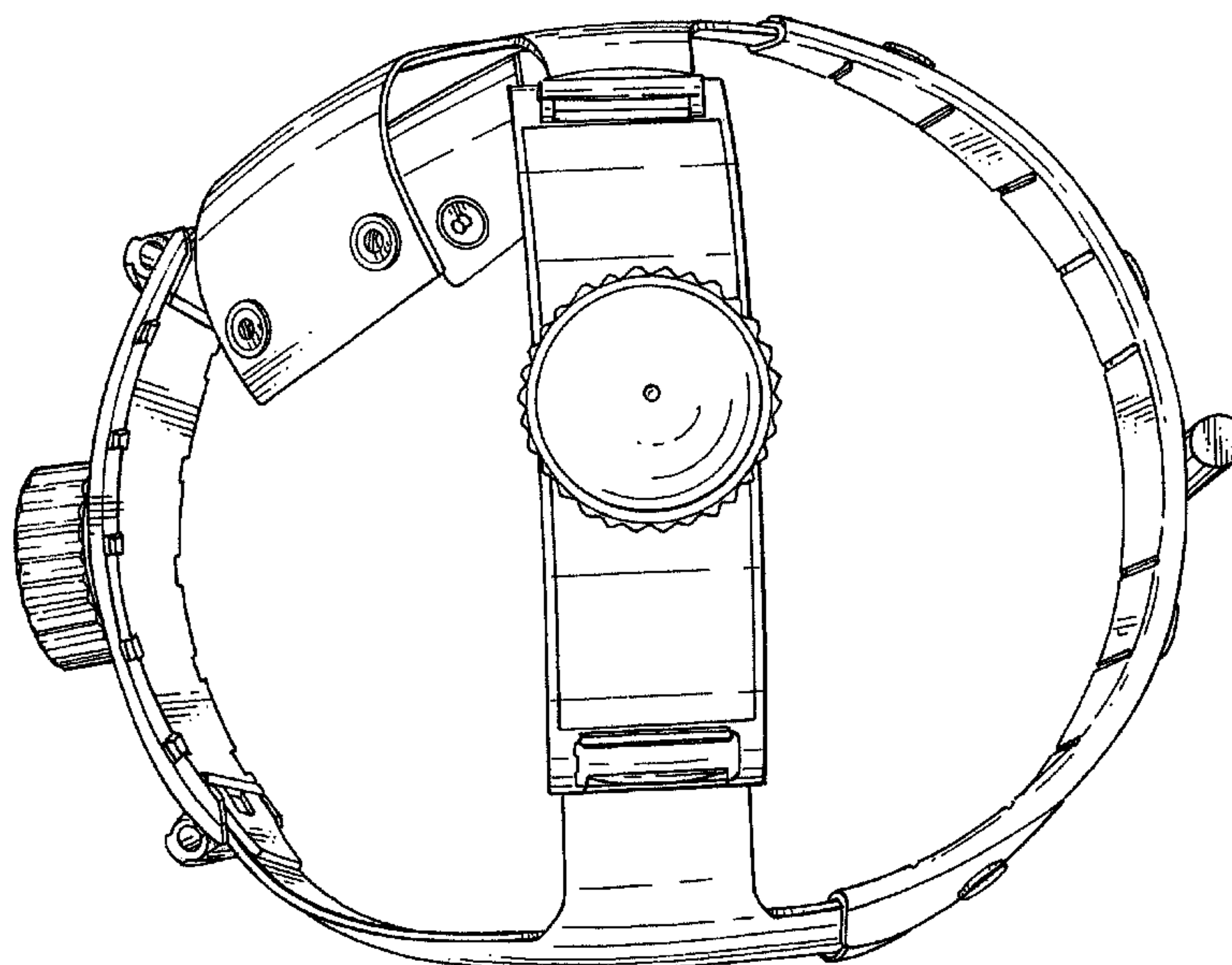
FIG. 8 is a perspective view of the medical headlight of FIG. 1 with the elements mounted;

FIG. 9 is a top plan view of the medical headlight of FIG. 1 with the elements mounted;

FIG. 10 is a left side view of the medical headlight of FIG. 1 with the elements mounted; and,

FIG. 11 is a top perspective view of the medical headlight of FIG. 1 with the elements mounted.

**1 Claim, 11 Drawing Sheets**



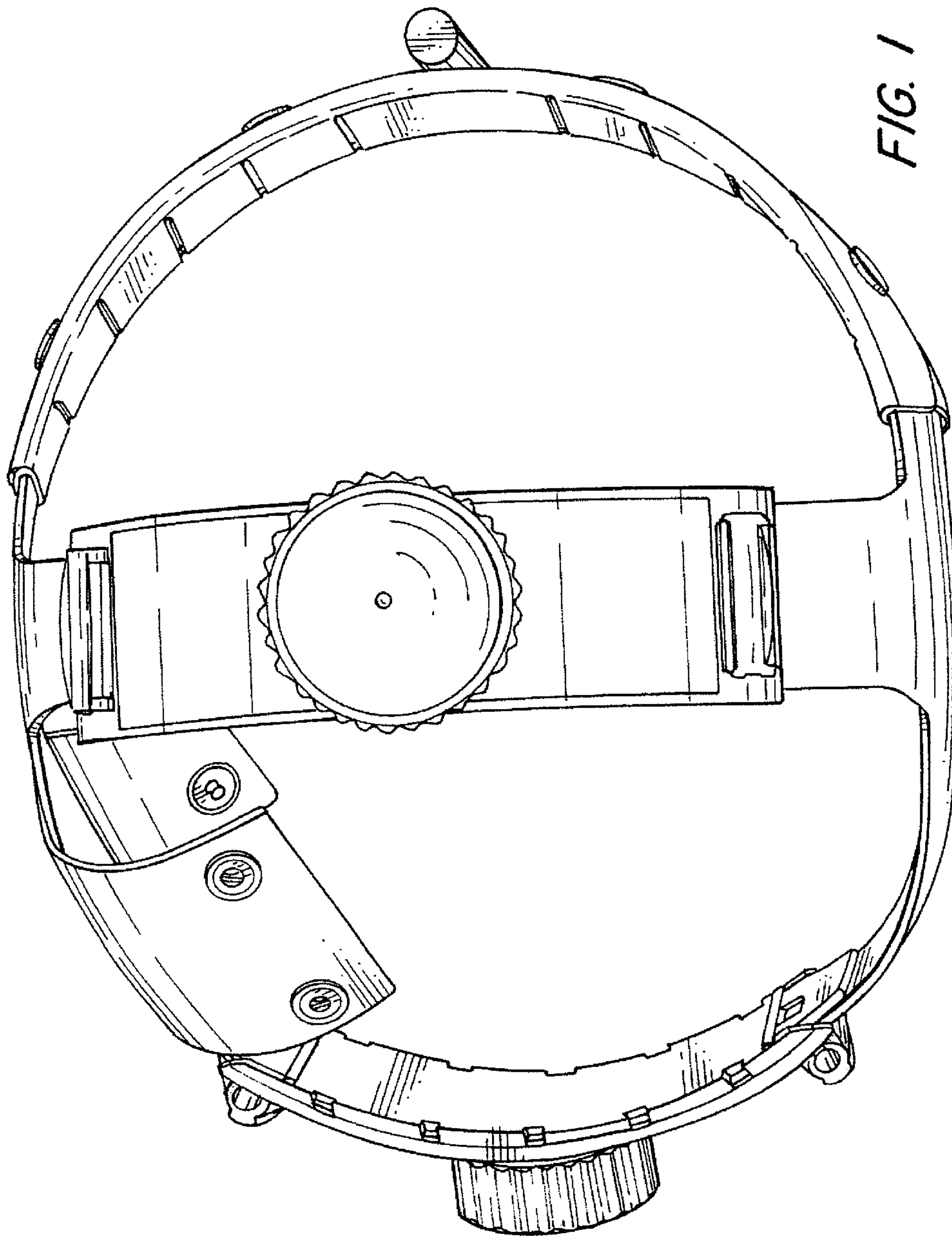


FIG. 1

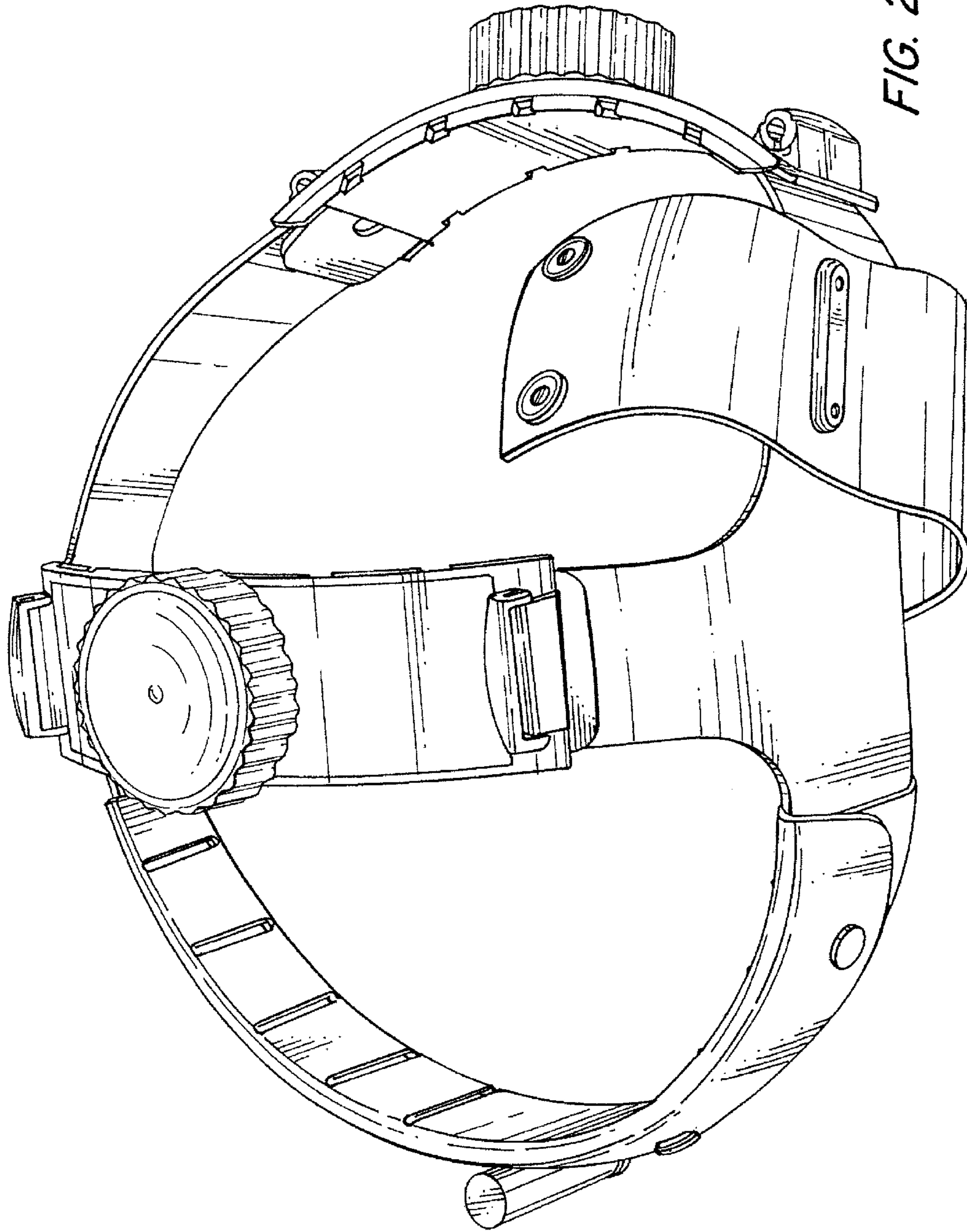


FIG. 2

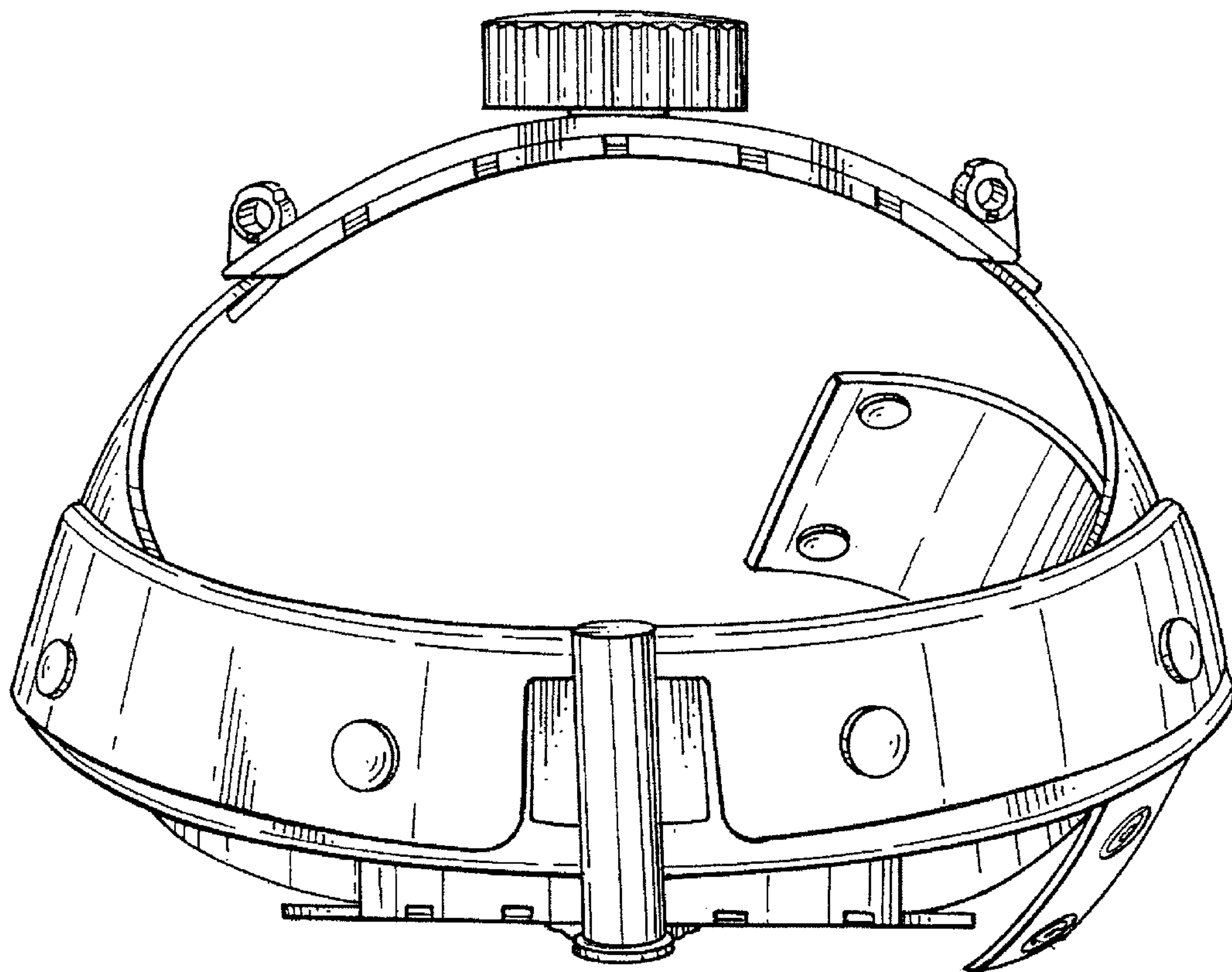
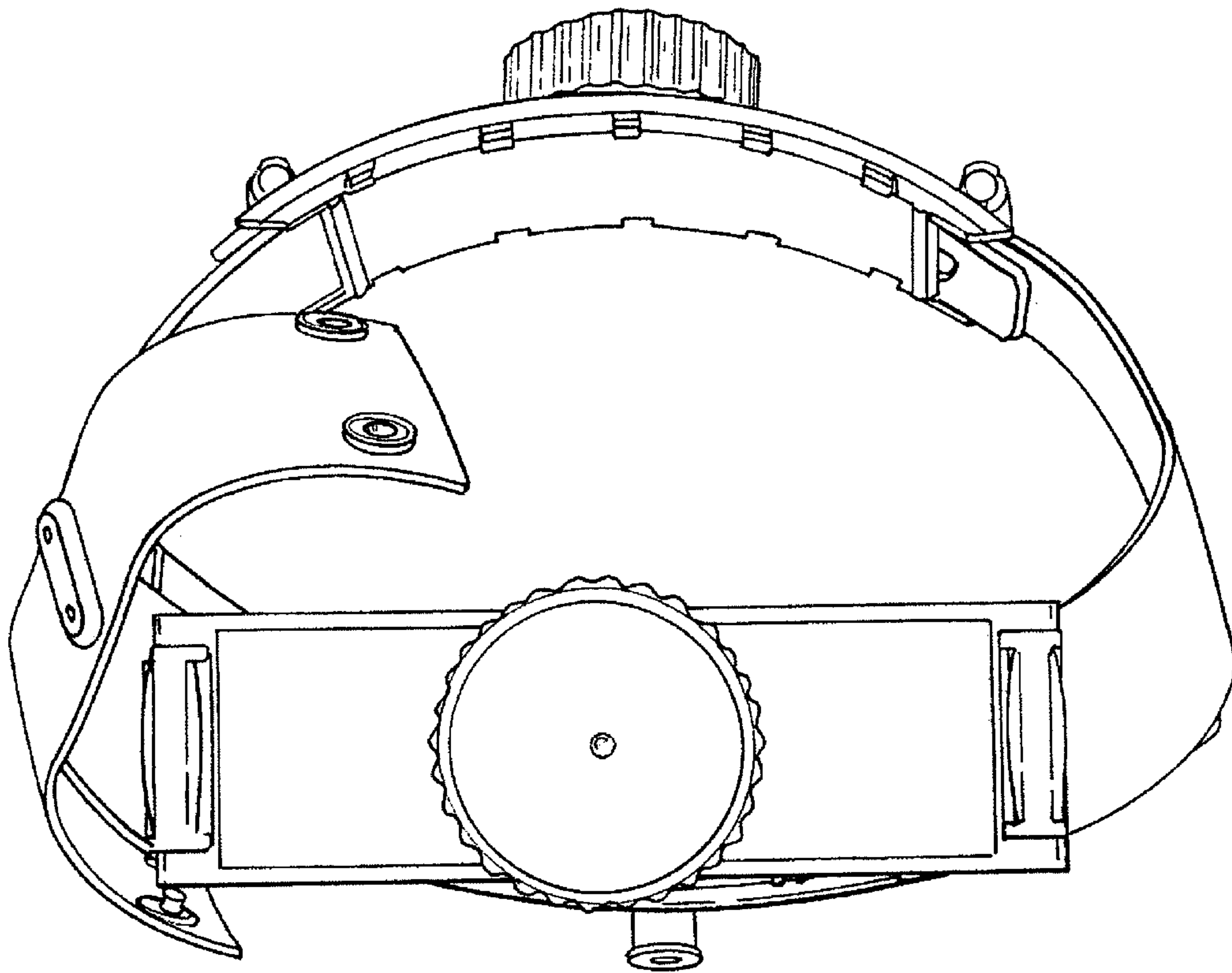


FIG. 3





*FIG. 4*

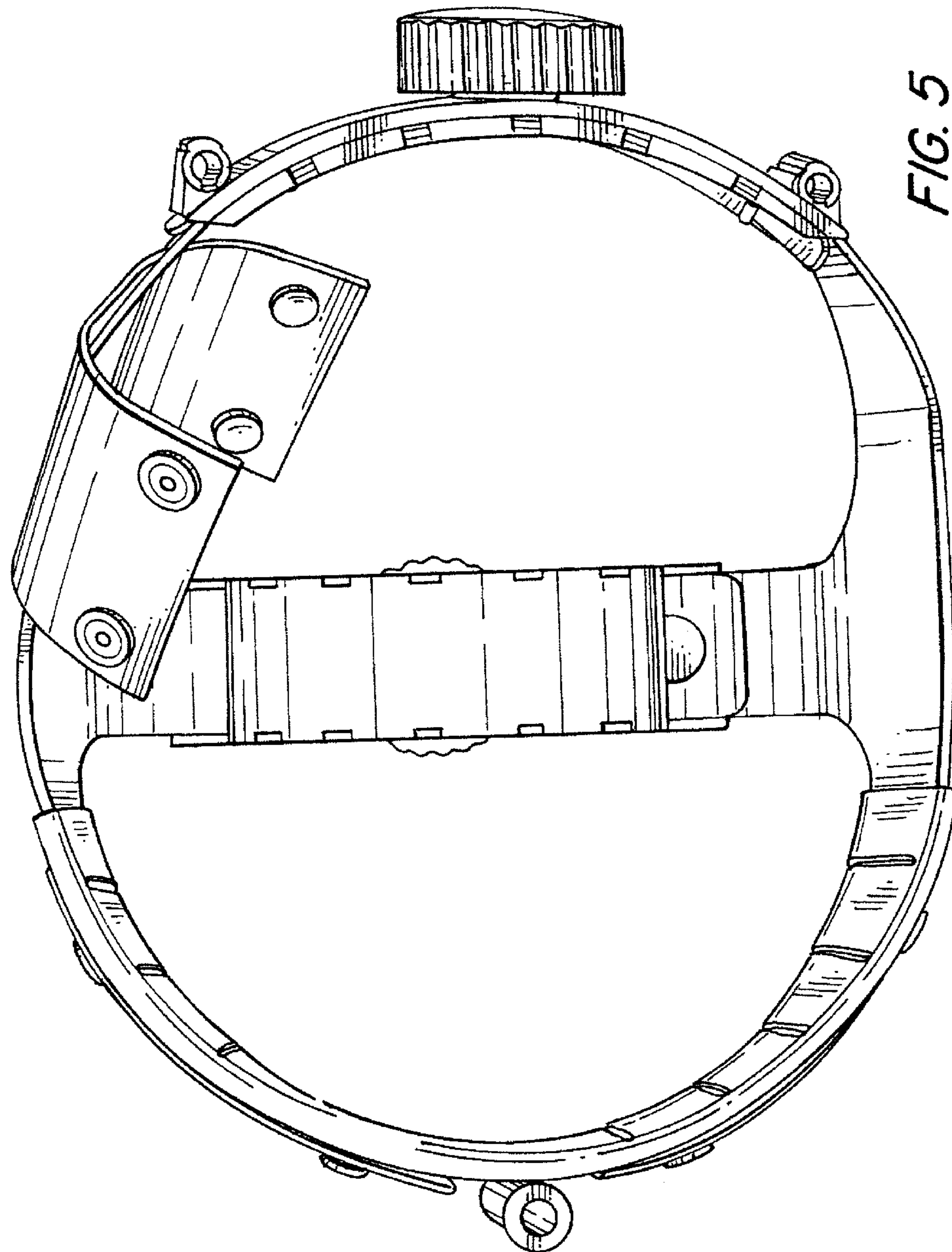


FIG. 5

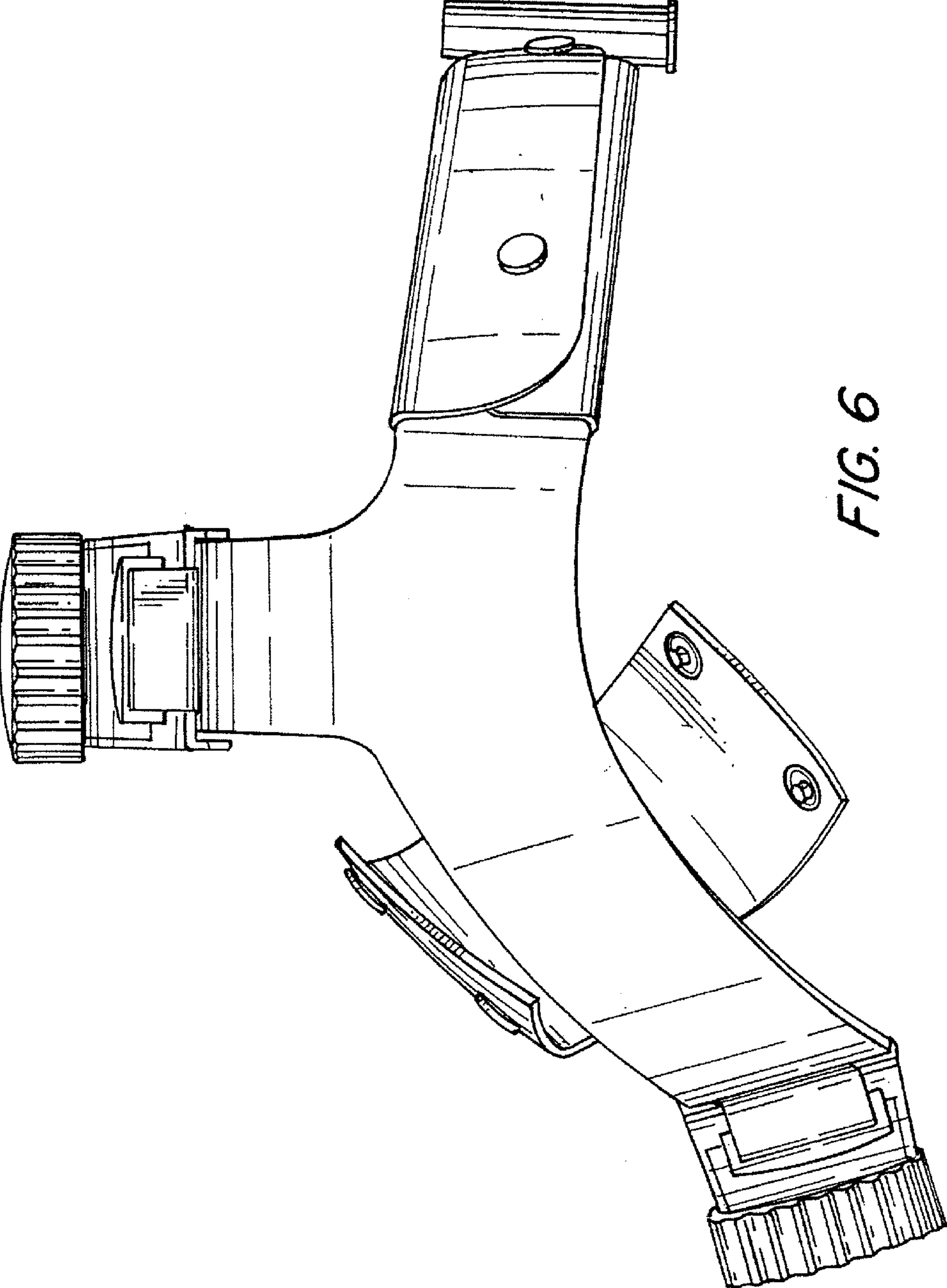


FIG. 6

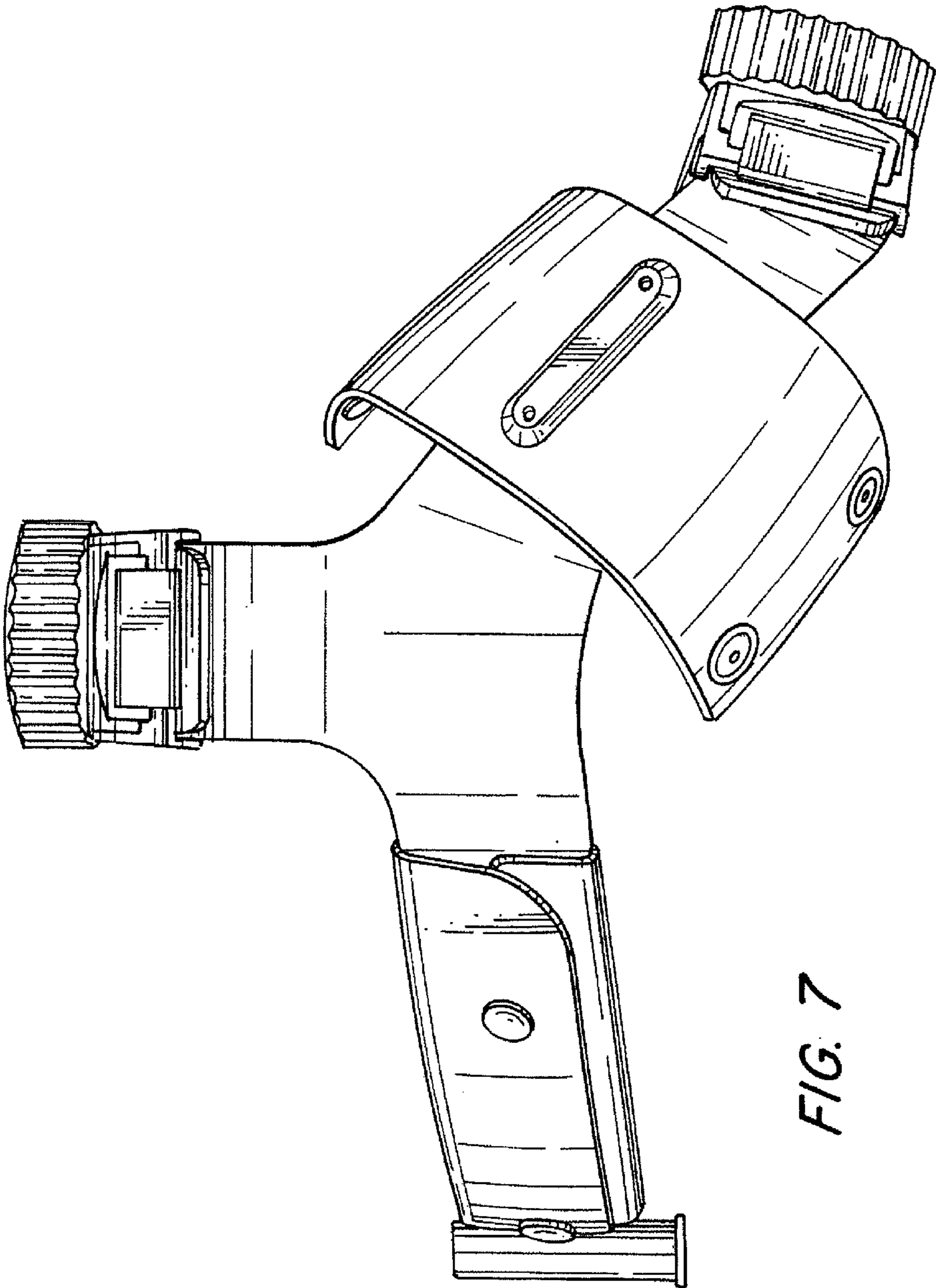


FIG. 7



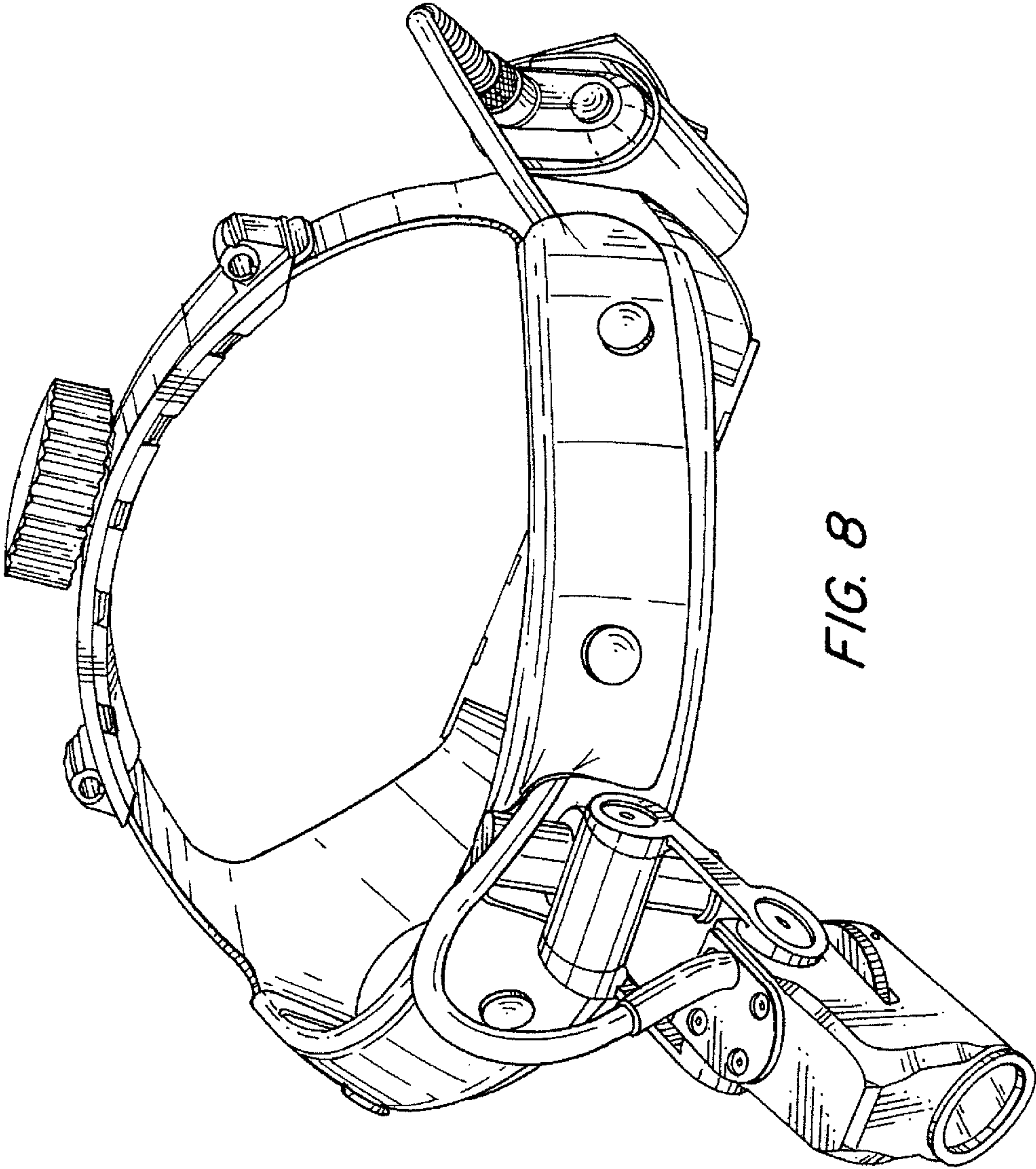


FIG. 8

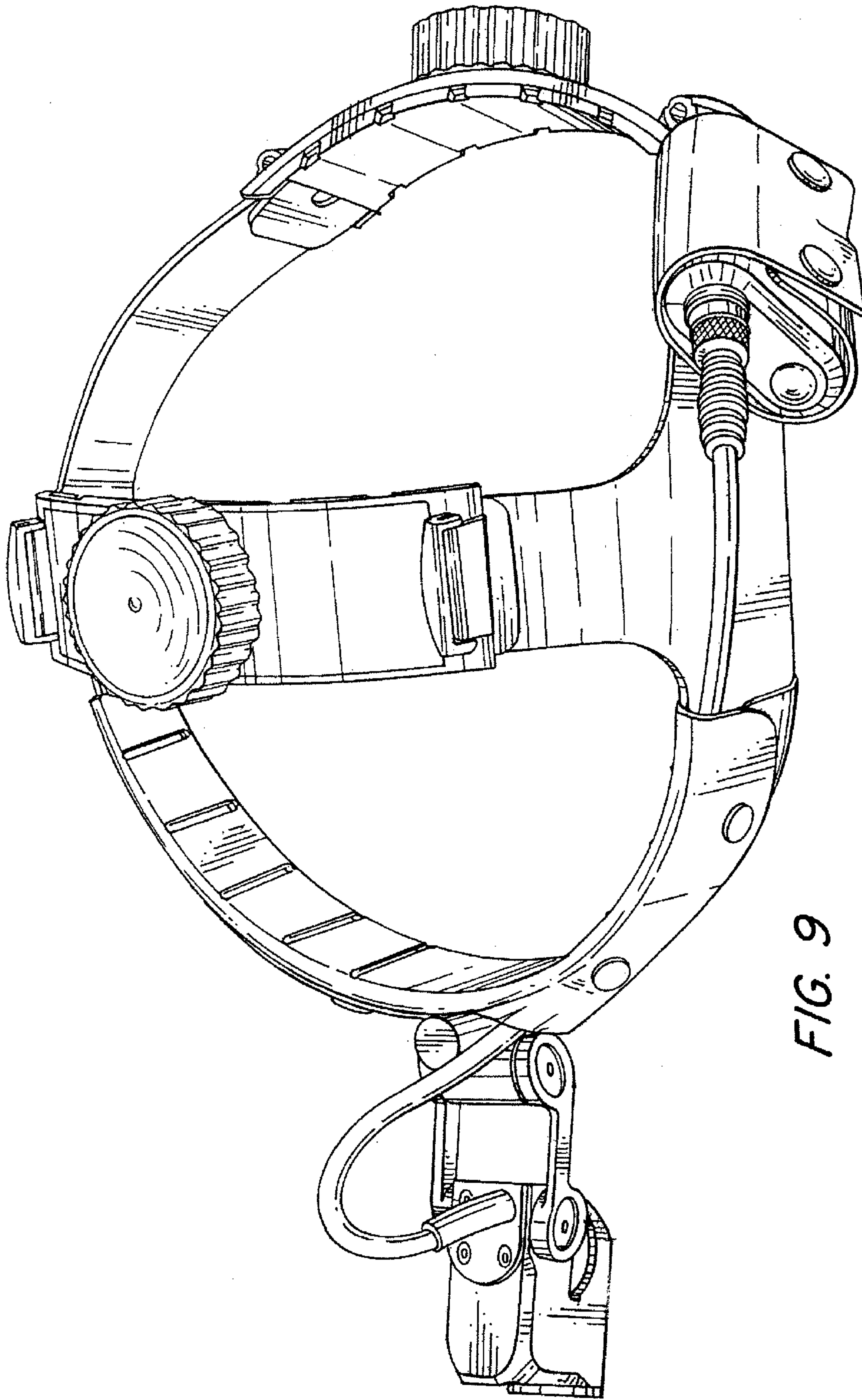


FIG. 9

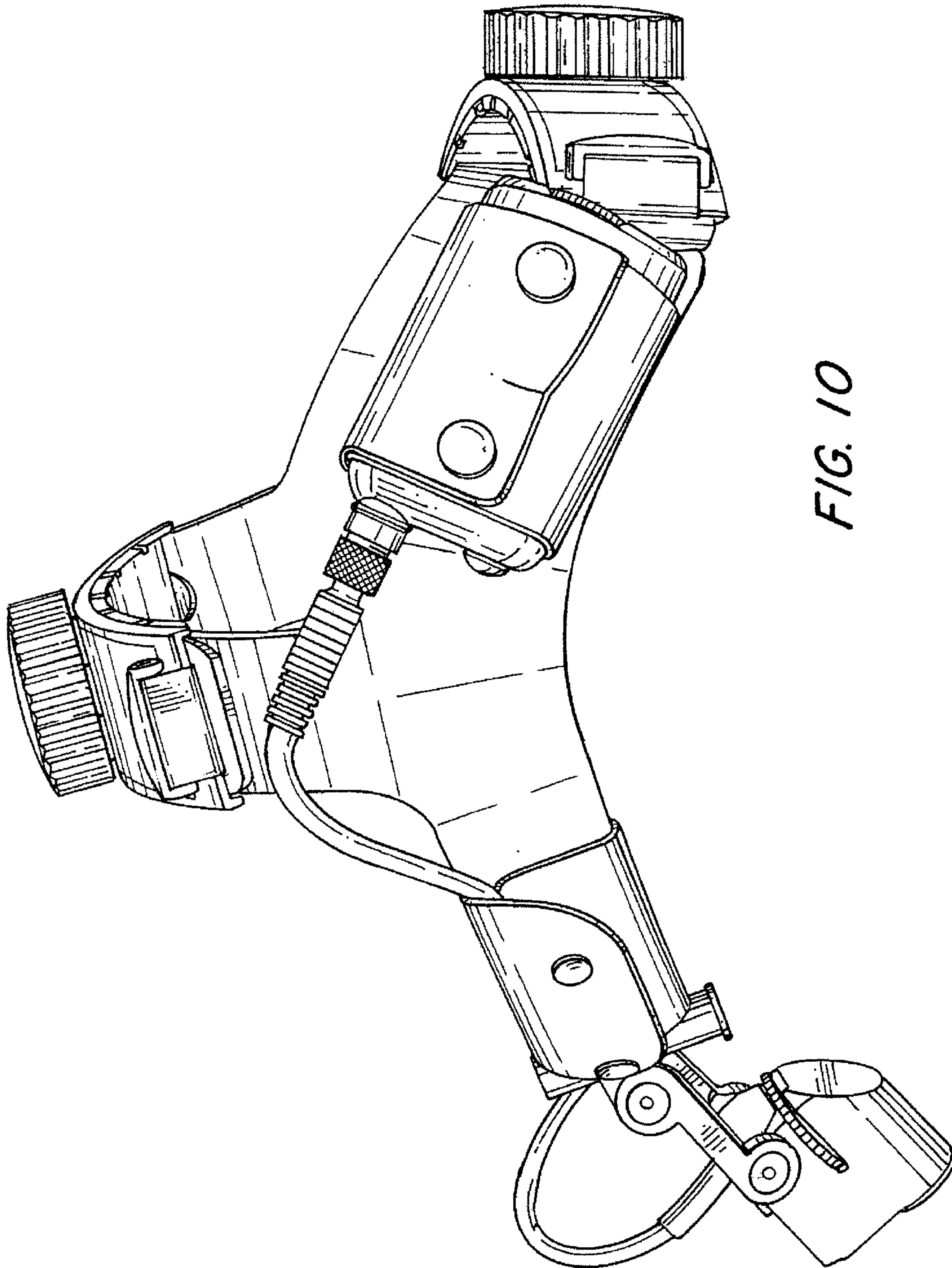


FIG. 10

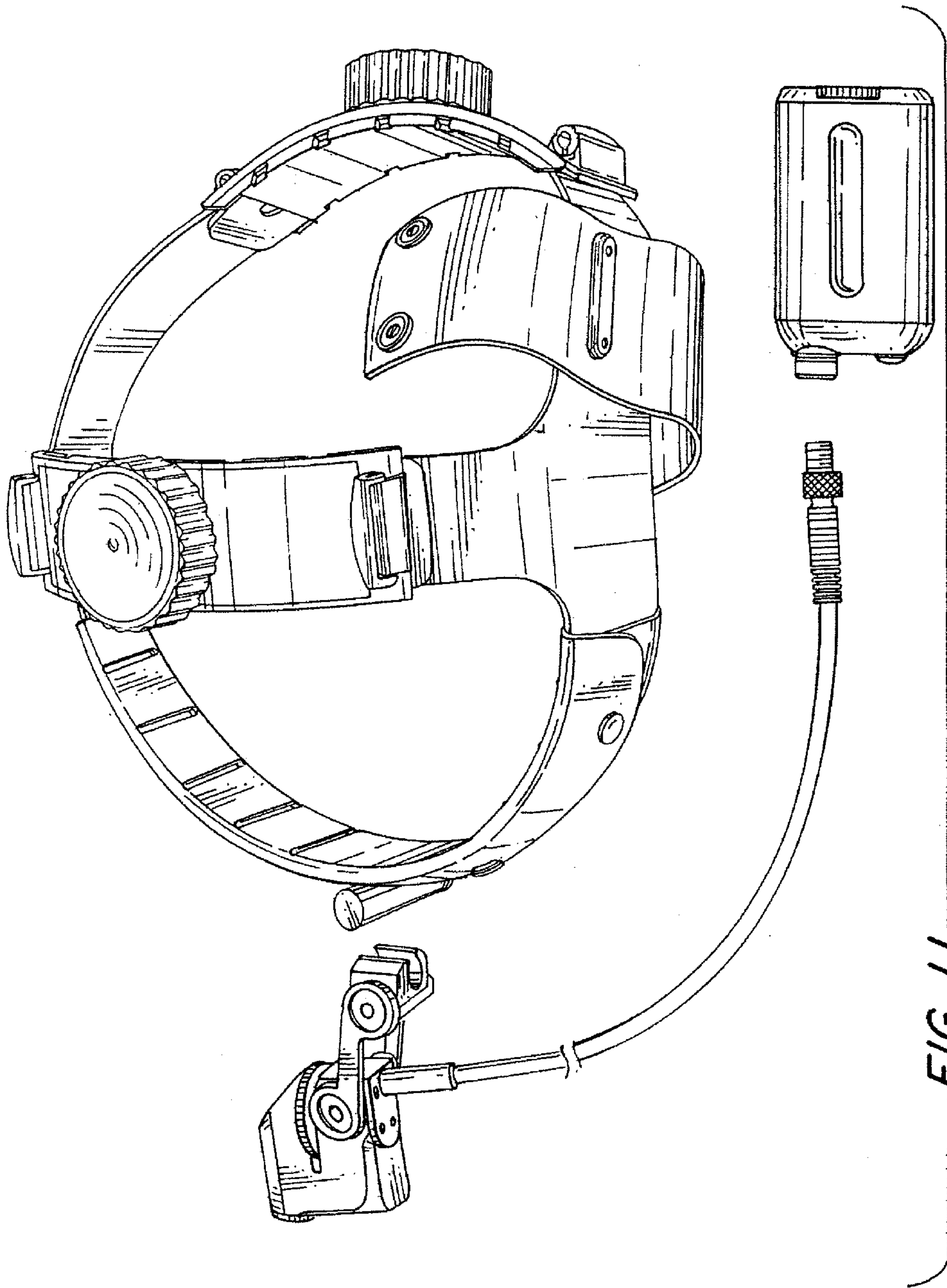


FIG. 11



UNITED STATES PATENT AND TRADEMARK OFFICE  
**CERTIFICATE OF CORRECTION**

PATENT NO. : Des. 539,952 S  
APPLICATION NO. : 29/233611  
DATED : April 3, 2007  
INVENTOR(S) : Daniel Iranyi et al.

Page 1 of 1

It is certified that error appears in the above-identified patent and that said Letters Patent is hereby corrected as shown below:

Title Page, Item (30) should read:

(30) Foreign Application Priority Data  
January 11, 2005 (EM).....000276944

Signed and Sealed this

Fifth Day of June, 2007

A handwritten signature in black ink on a light gray dotted background. The signature reads "Jon W. Dudas" in a cursive style.

JON W. DUDAS

*Director of the United States Patent and Trademark Office*