



US00D539951S

(12) **United States Design Patent**
Qui

(10) **Patent No.:** **US D539,951 S**

(45) **Date of Patent:** **** Apr. 3, 2007**

(54) **LIGHT FOR AND ATTACHMENT TO A CELL PHONE**

D523,160 S * 6/2006 Chen D26/37
D524,474 S * 7/2006 Lo et al. D26/60

(75) Inventor: **Yun Hong Qui**, Ning Hai (CN)

(73) Assignee: **Advertising Techniques and Promotions, Inc.**, San Diego, CA (US)

(**) Term: **14 Years**

(21) Appl. No.: **29/256,171**

(22) Filed: **Mar. 16, 2006**

(51) **LOC (8) Cl.** **26-02**

(52) **U.S. Cl.** **D26/37**

(58) **Field of Classification Search** D26/37-50;
362/157, 158, 171-174, 183-208

See application file for complete search history.

(56) **References Cited**

U.S. PATENT DOCUMENTS

D457,670 S	*	5/2002	Allen	D26/37
D484,625 S	*	12/2003	Chang	D26/37
D496,479 S	*	9/2004	Ashfield	D26/37
D507,368 S	*	7/2005	Waters	D26/37
D507,671 S	*	7/2005	Rice	D26/37

OTHER PUBLICATIONS

Submission 1 is a picture of a prior art light attachment for a cell phone.

Submission 2 is the same prior art of Submission 1 shown in its packaging.

* cited by examiner

Primary Examiner—Marcus A. Jackson

(74) *Attorney, Agent, or Firm*—Michael W. Landry

(57) **CLAIM**

The ornamental design for a light for and attachment to a cell phone, as shown and described.

DESCRIPTION

FIG. 1 is a perspective view of the design.

FIG. 2 is a first end view of the design.

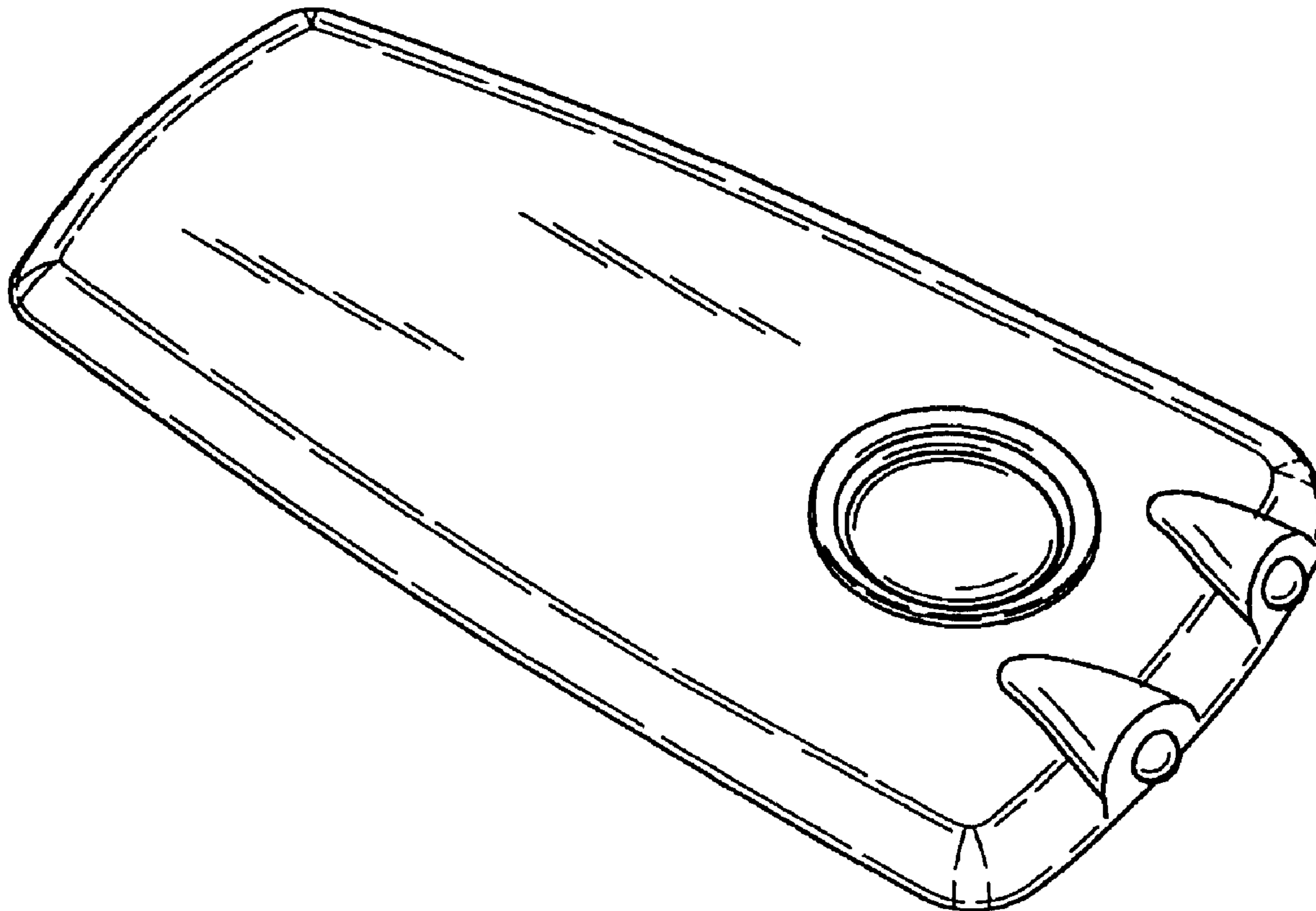
FIG. 3 is a second end view of the design.

FIG. 4 is a bottom view of the design.

FIG. 5 is a top view of the design; and,

FIG. 6 is a side view of the design.

1 Claim, 2 Drawing Sheets



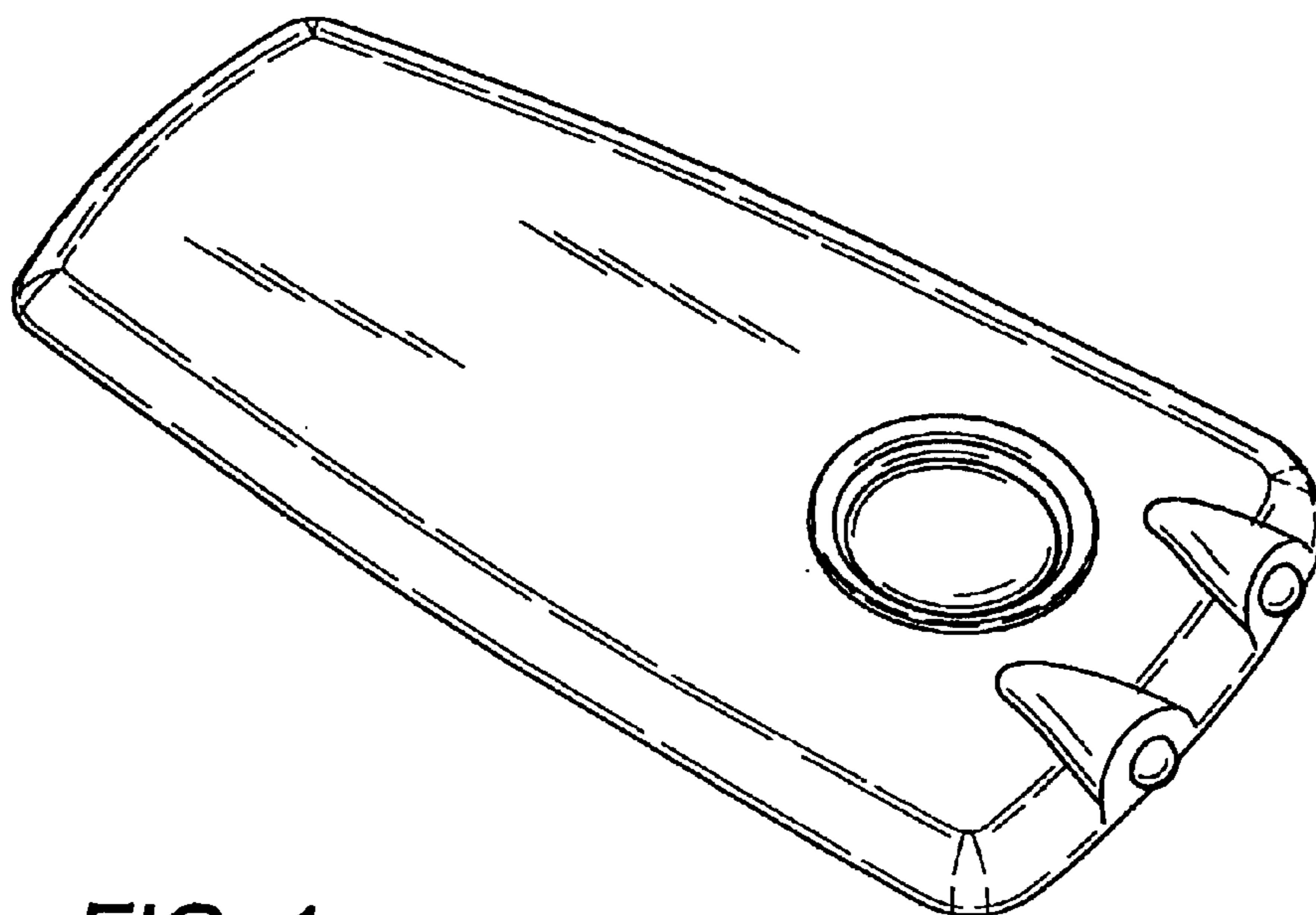


FIG. 1



FIG. 2

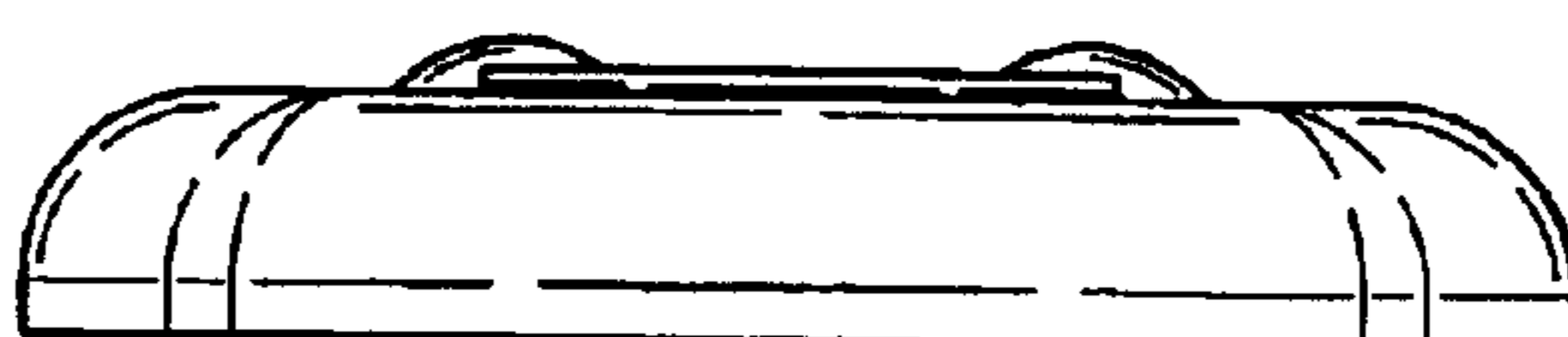


FIG. 3

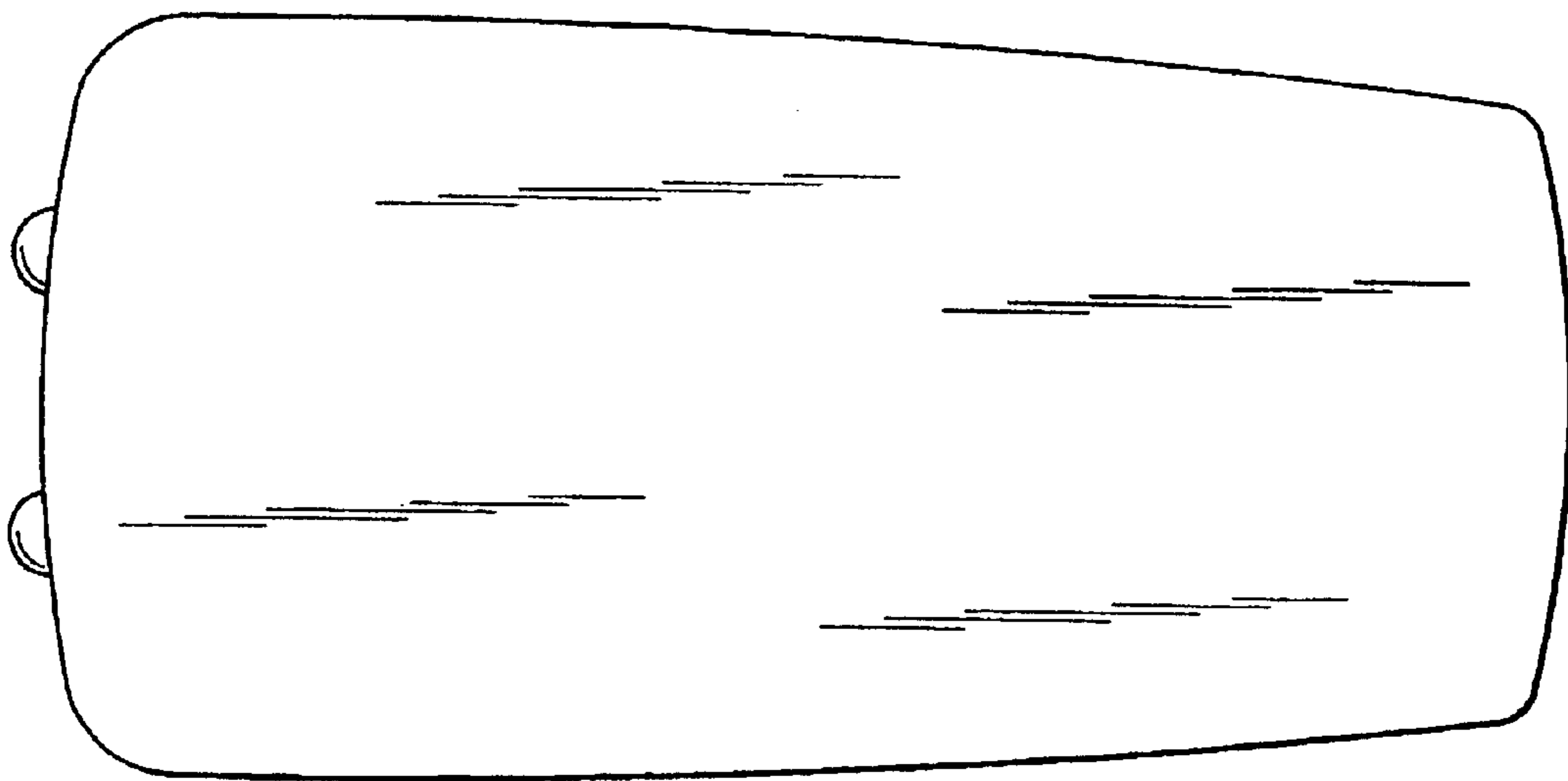


FIG. 4

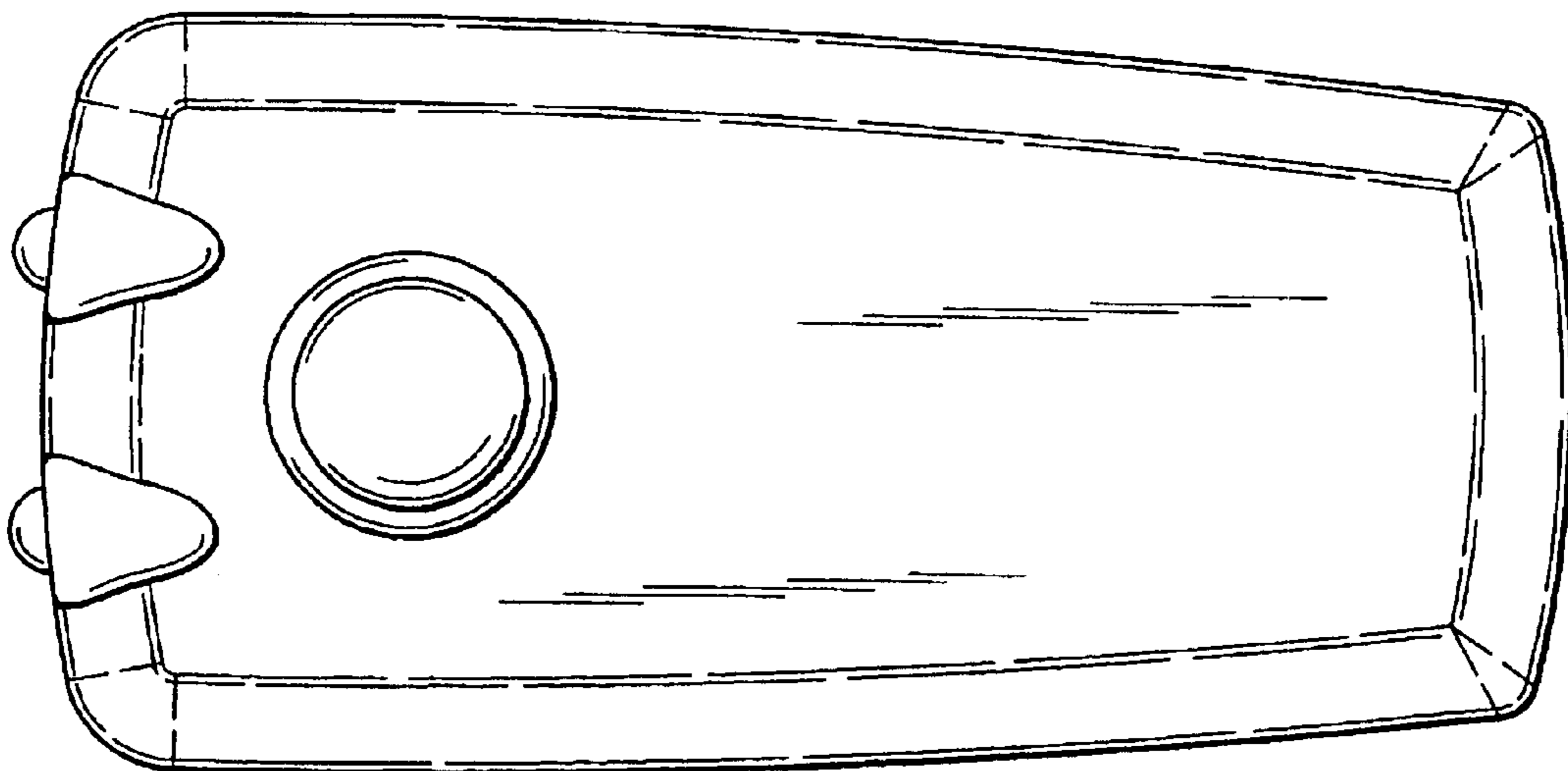


FIG. 5

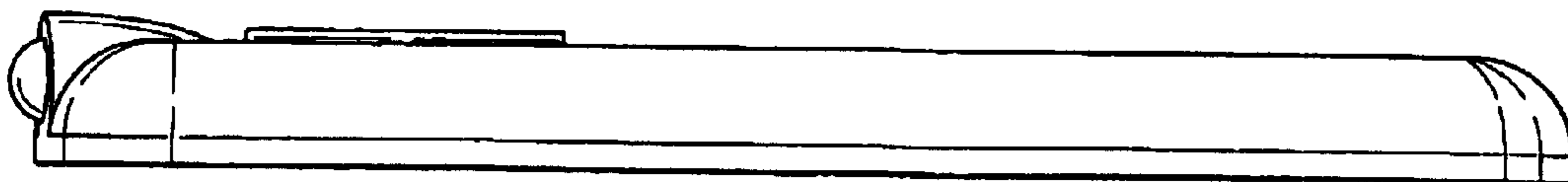


FIG. 6