

US00D539950S

(12) **United States Design Patent**
Okumura

(10) **Patent No.:** **US D539,950 S**

(45) **Date of Patent:** **** Apr. 3, 2007**

(54) **SIGNAL LIGHT FOR AUTOMOBILES**

(75) Inventor: **Akari Okumura**, 92, Kitashirakawa
Shimoikedada-cho, Sakyo-ku, Kyoto-shi,
Kyoto 606-8284 (JP)

(73) Assignee: **Akari Okumura**, Kyoto (JP)

(**) Term: **14 Years**

(21) Appl. No.: **29/257,123**

(22) Filed: **Mar. 30, 2006**

(51) **LOC (8) Cl.** **26-06**

(52) **U.S. Cl.** **D26/31**

(58) **Field of Classification Search** D26/28-36;
362/459-468, 475-478, 485-487
See application file for complete search history.

(56) **References Cited**

U.S. PATENT DOCUMENTS

D287,414 S	*	12/1986	Giles et al.	D26/139
D332,837 S	*	1/1993	Kim	D26/32
D349,360 S	*	8/1994	Gonsior	D26/125
D498,012 S	*	11/2004	Ballentine	D26/28

* cited by examiner

Primary Examiner—Marcus A. Jackson

(74) *Attorney, Agent, or Firm*—Fitch, Even, Tabin &
Flannery

(57) **CLAIM**

The ornamental design element for a signal light for auto-
mobiles, as shown and described.

DESCRIPTION

FIG. 1 is a view of the ornamental signal light for automo-
biles in an environment (front view).

FIG. 2 is a view of the ornamental signal light for automo-
biles in an environment (rear view).

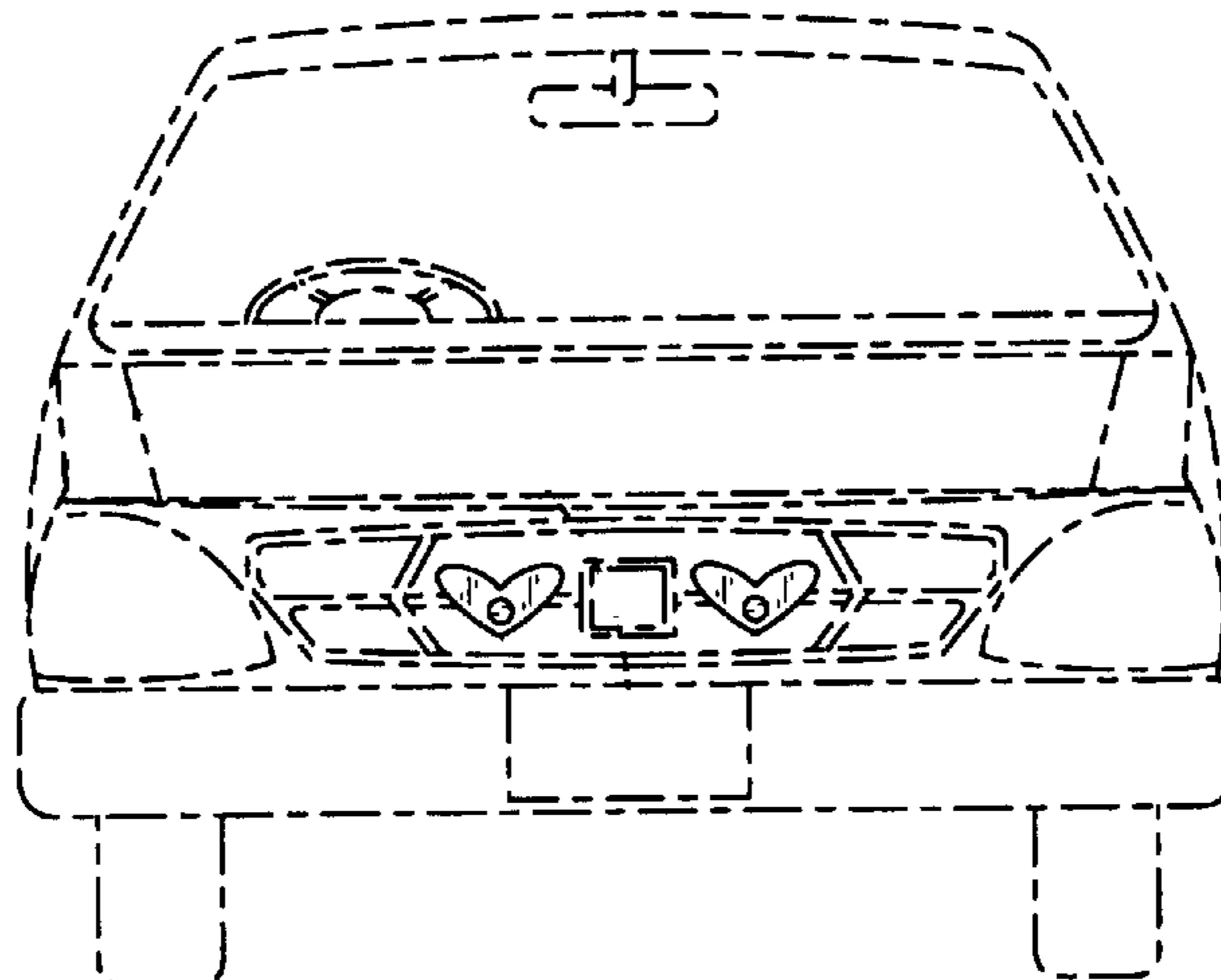
FIG. 3 is an enlarged view of FIG. 1, front view, right side,
along lines 3-3'; and,

FIG. 4 is an enlarged view of FIG. 2, back view, left side,
along lines 4-4'.

An enlarged front, left side view is omitted, because it is
symmetrical to the front, right side view. An enlarged back,
right side view is omitted, because it is symmetrical to the
back, left side view.

The broken line showing of the automobile is included for
the purpose of illustrating the claimed design and forms no
part of the claimed design.

1 Claim, 2 Drawing Sheets



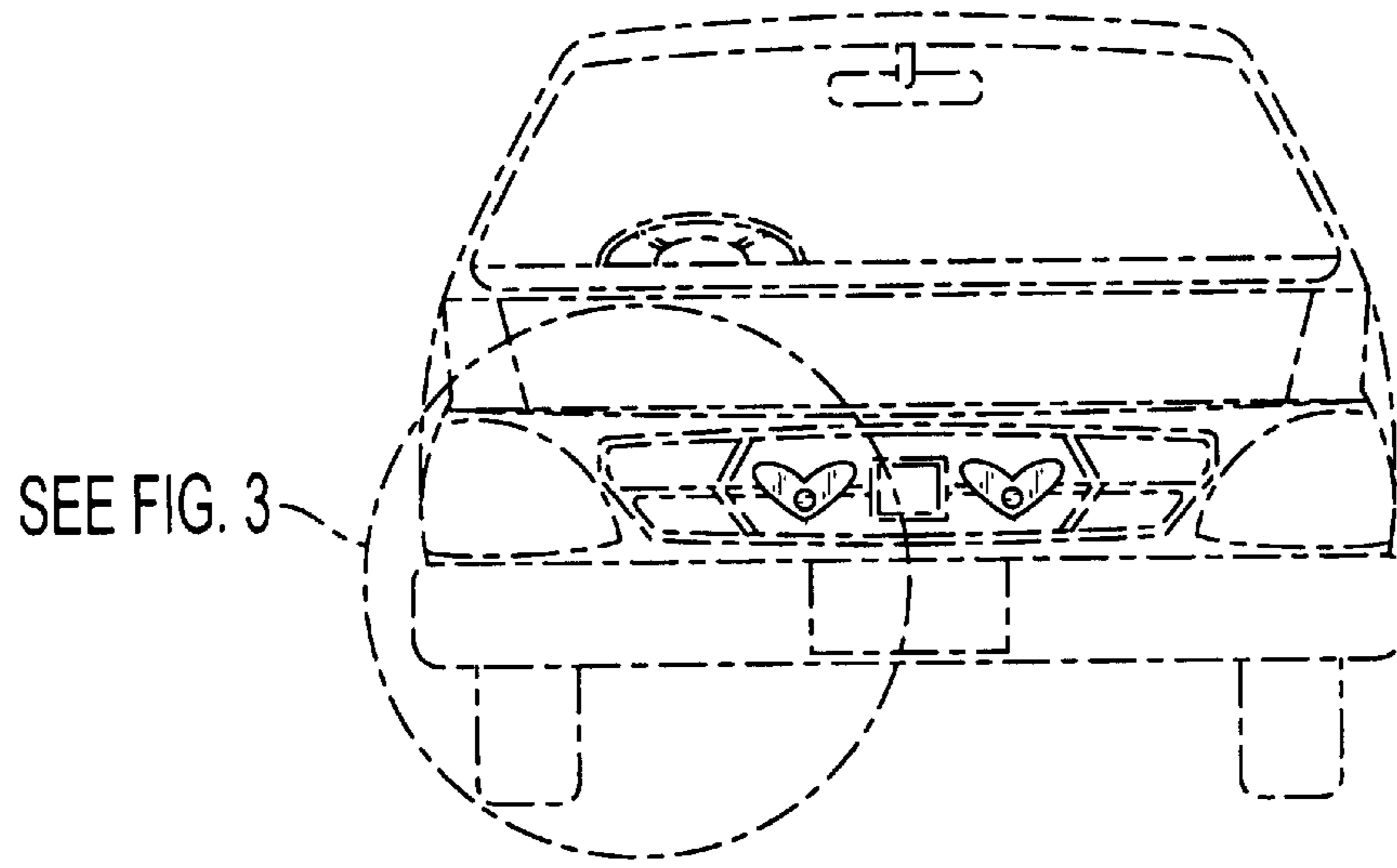


FIG. 1

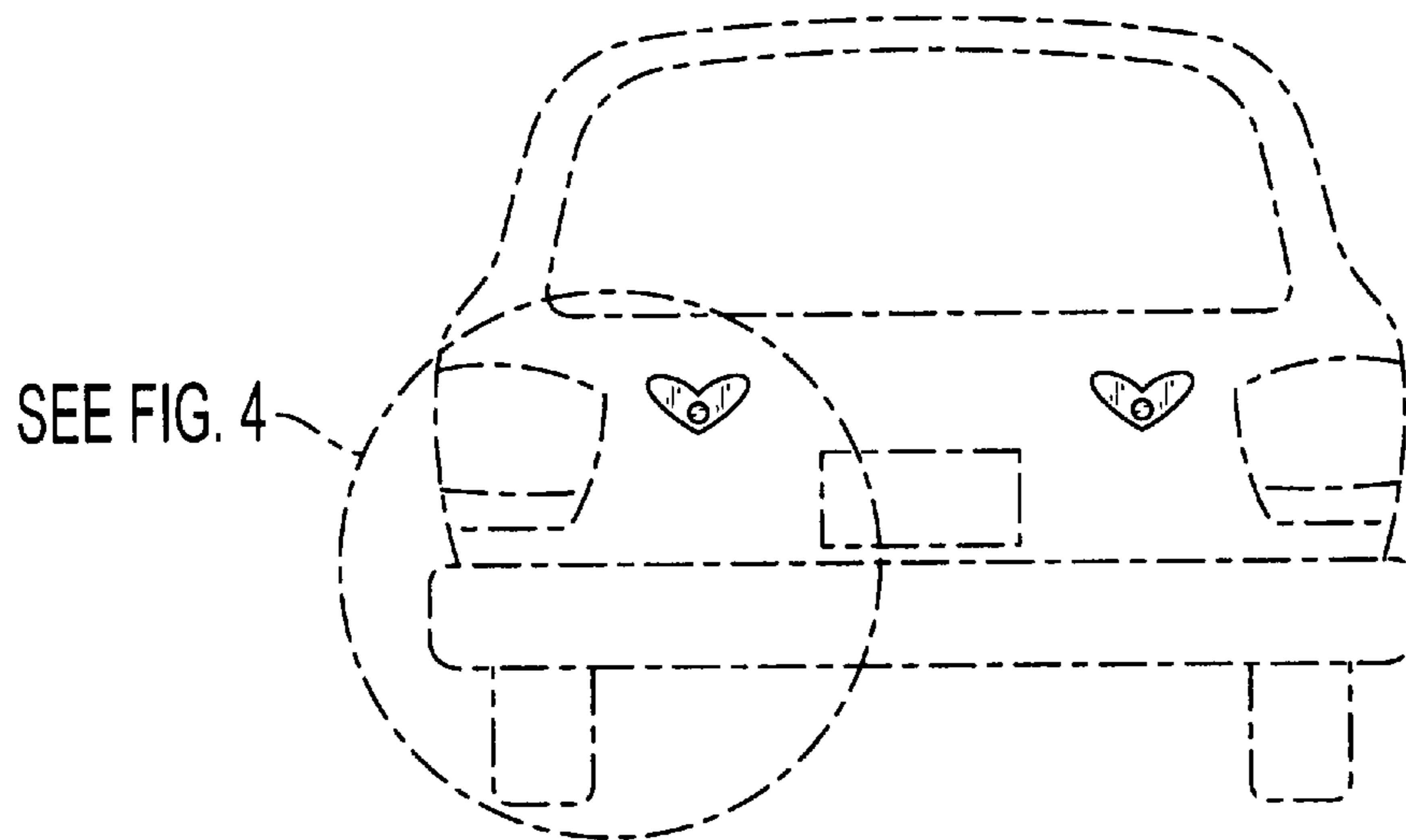


FIG. 2

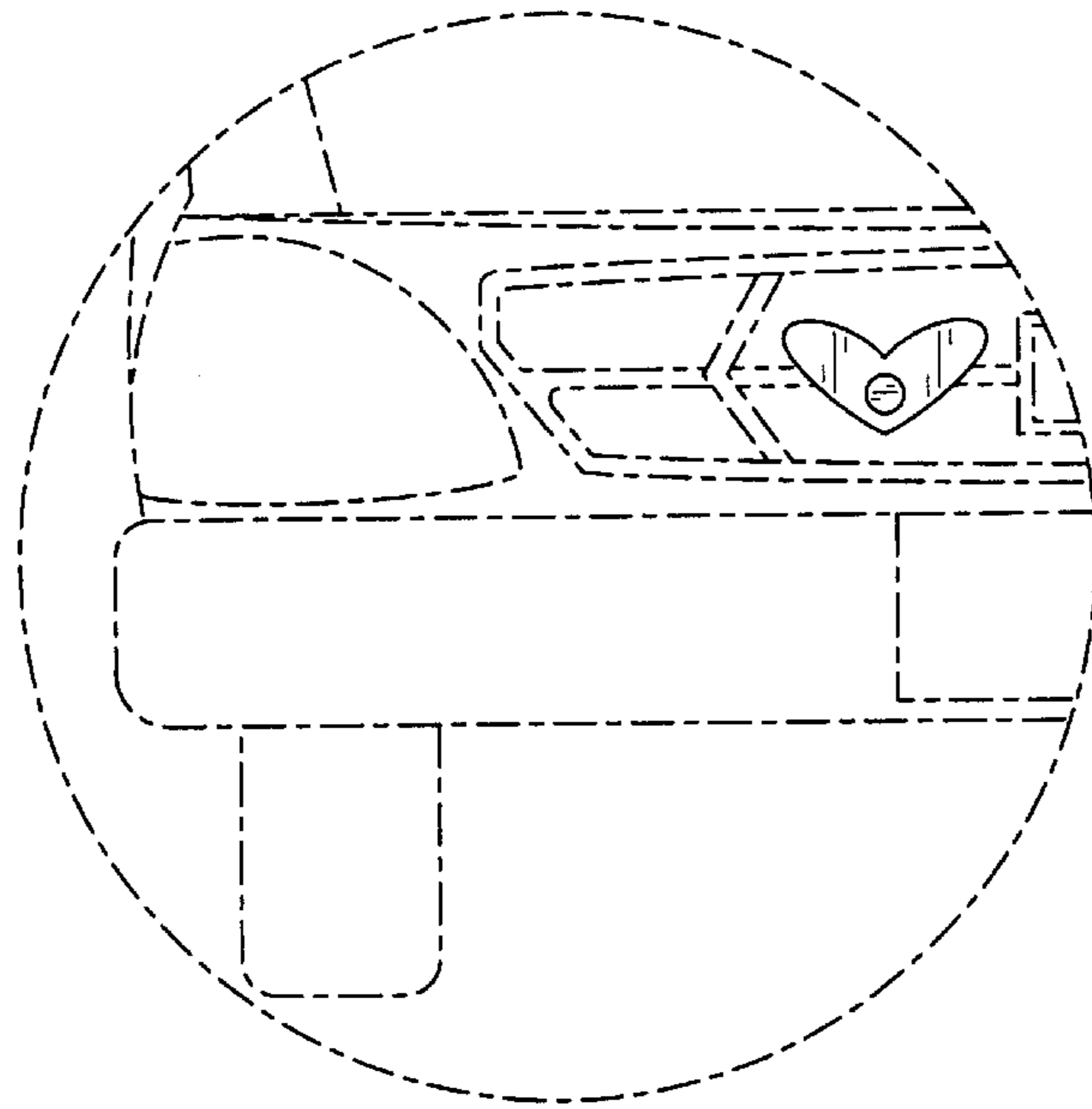


FIG. 3

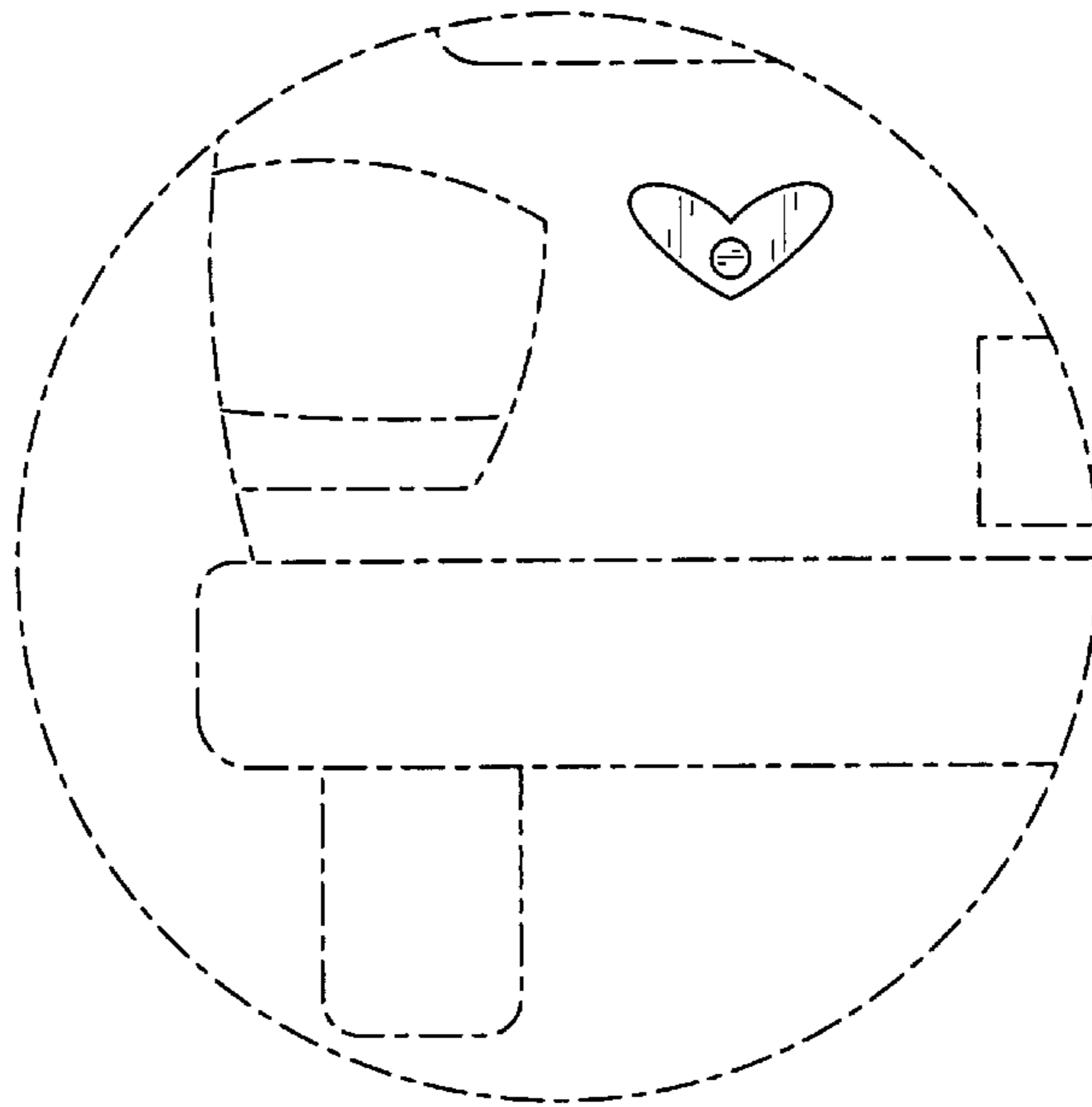


FIG. 4