



US00D539945S

(12) **United States Design Patent**  
**Egawa et al.**

(10) **Patent No.:** **US D539,945 S**

(45) **Date of Patent:** **\*\* Apr. 3, 2007**

(54) **LIGHT EMITTING DIODE LAMP**

2004/0012957 A1 \* 1/2004 Bachi et al. .... 362/241  
2006/0087843 A1 \* 4/2006 Setomoto et al. .... 362/249

(75) Inventors: **Kazuo Egawa**, Tokyo (JP); **Takayoshi Moriyama**, Tokyo (JP); **Masami Iwamoto**, Tokyo (JP); **Masahiro Toda**, Toko (JP)

OTHER PUBLICATIONS

John Lui, LEDs, shining flatly, Feb. 2, 2003, ZDNet Asia, <http://www.zdnetasia.com/news/internet/0,39044246,39116300,00.htm>.\*

(73) Assignee: **Toshiba Lighting & Technologies Corporation**, Tokyo (JP)

\* cited by examiner

(\*\*) Term: **14 Years**

*Primary Examiner*—Alan P. Douglas

*Assistant Examiner*—Angela J. Lee

(74) *Attorney, Agent, or Firm*—J.C. Patents

(21) Appl. No.: **29/237,215**

(57) **CLAIM**

(22) Filed: **Aug. 26, 2005**

The ornamental design for a light emitting diode lamp, as shown and described.

(30) **Foreign Application Priority Data**

**DESCRIPTION**

Feb. 28, 2005 (JP) ..... 2005-005742

(51) **LOC (8) Cl.** ..... **26-05**

FIG. 1 is a perspective view of a light emitting diode lamp showing the new design.

(52) **U.S. Cl.** ..... **D26/24; D26/72**

FIG. 2 is an enlarged perspective view of a light emitting diode lamp showing the new design.

(58) **Field of Classification Search** ..... D26/1,

D26/2, 24, 25, 26, 37, 50, 72, 77, 80-1, 83,

D26/85-6, 88-9, 102, 118, 120-4, 152; D13/180,

D13/182; 362/84, 157, 183-4, 227, 235-7,

362/249, 257, 317, 341-2, 551, 555, 611-3,

362/640-1, 644, 652, 800

See application file for complete search history.

FIG. 3 is a front view thereof.

FIG. 4 is a rear view thereof.

FIG. 5 is a right side view thereof, and the left side view being a mirror image of the right side view.

FIG. 6 is a top plan view thereof, and bottom plan view being a mirror image of the top plan view.

FIG. 7 is an enlarged cross-sectional view taken along line 7-7 in FIG. 3 with the internal parts omitted, wherein the portion having the double slanted lines are transparent.

FIG. 8 is an enlarged cross-sectional view taken along line 8-8 in FIG. 3 with the internal parts omitted, wherein the portion having the double slanted lines are transparent.

FIG. 9 is an enlarged front view of the portion enclosed by lines 9-9 in FIG. 3; and,

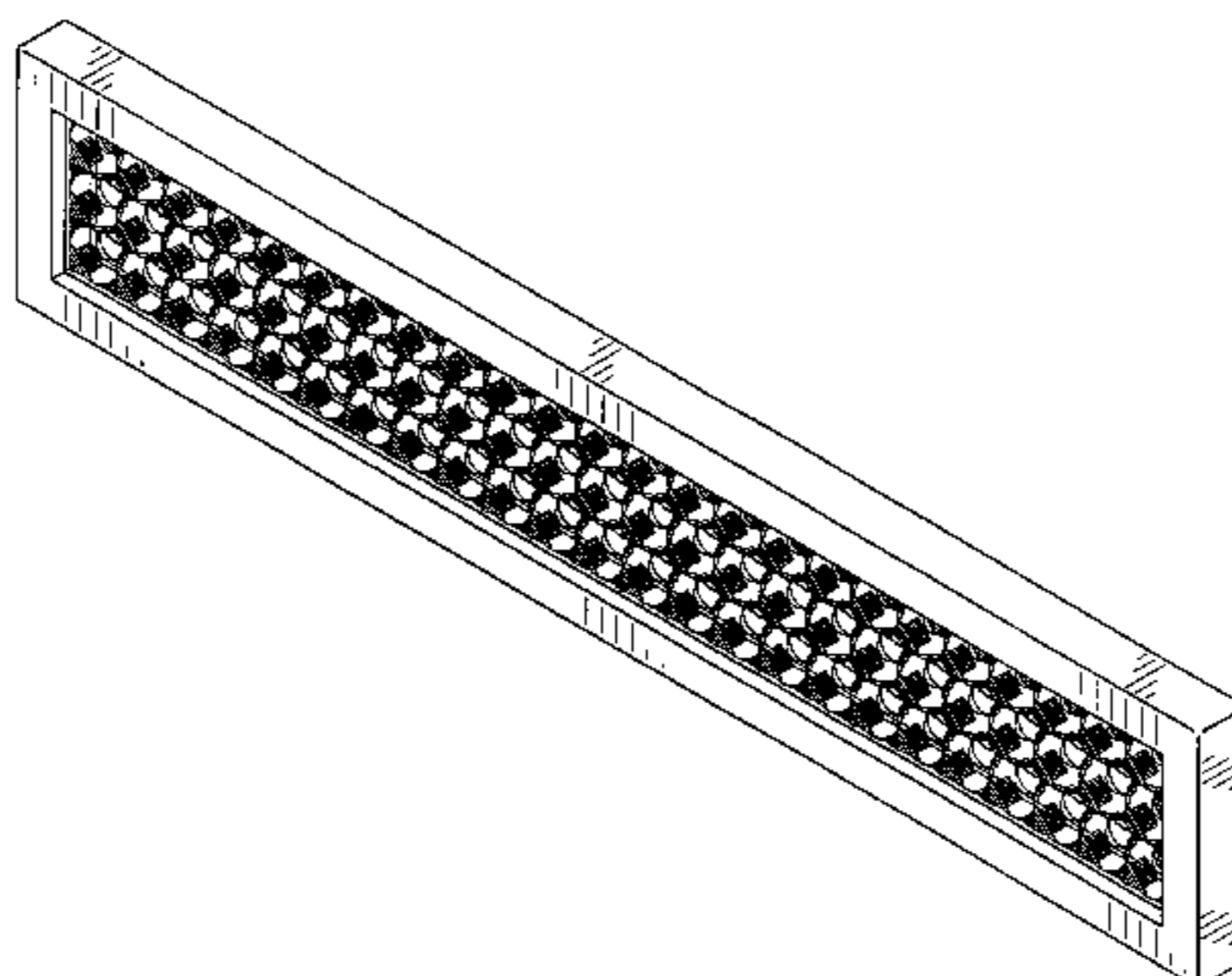
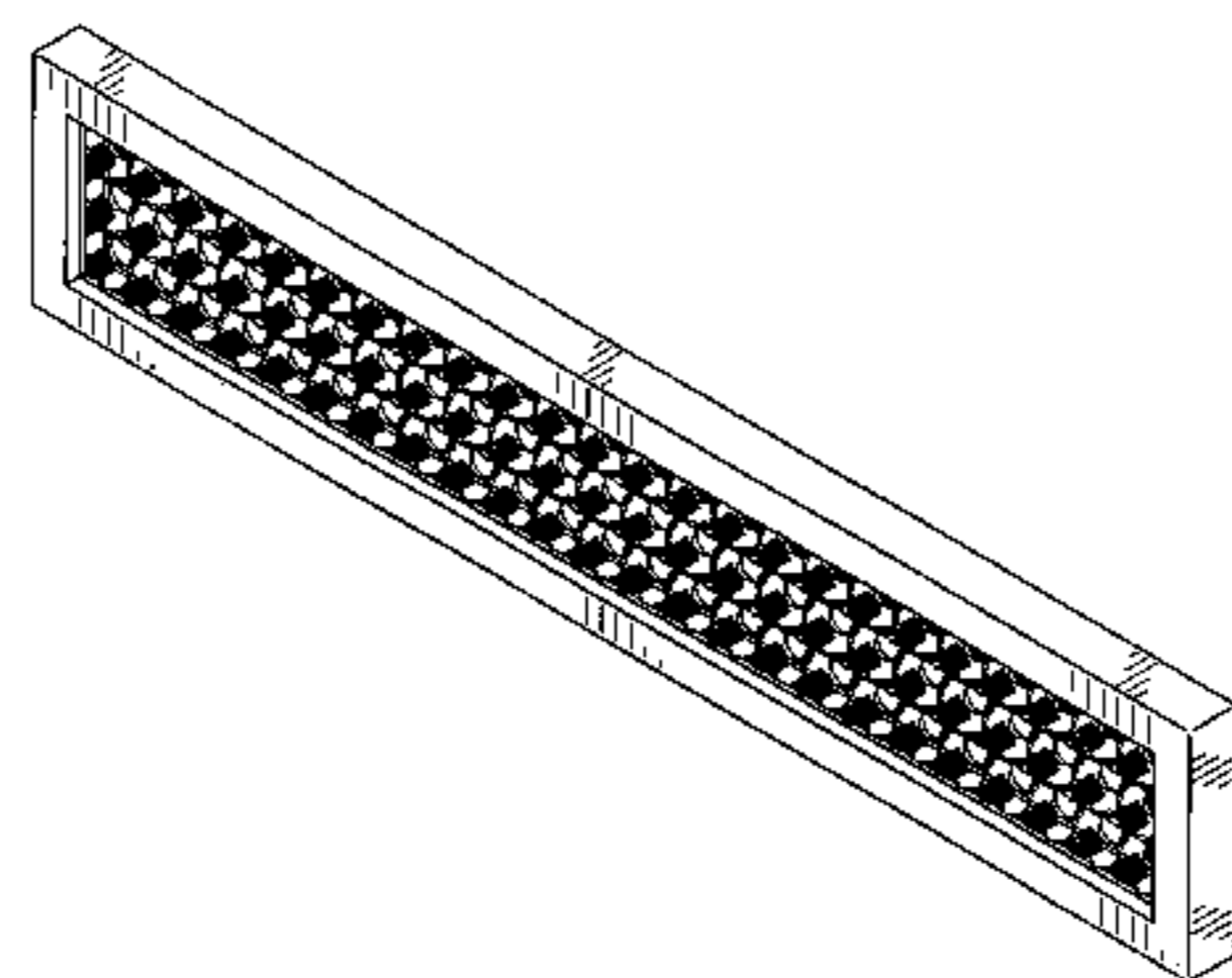
FIG. 10 is an end elevational view taken along line 10-10 in FIG. 9, wherein the portion having the double slanted lines are transparent.

(56) **References Cited**

U.S. PATENT DOCUMENTS

D171,866 S	*	3/1954	Schreckengost	.....	D26/122
D222,102 S	*	9/1971	Schwartz et al.	.....	D26/122
D234,800 S	*	4/1975	Schwartz	.....	D26/24
D378,860 S	*	4/1997	Galletly	.....	D26/77
D427,343 S	*	6/2000	Reinbach	.....	D26/28
6,422,716 B2	*	7/2002	Henrici et al.	.....	362/249
D474,303 S	*	5/2003	Huang	.....	D26/123
D494,288 S	*	8/2004	Matsui et al.	.....	D26/2
D503,930 S	*	4/2005	Asakawa	.....	D13/180
D524,978 S	*	7/2006	Bellaloum	.....	D26/102
2003/0218874 A1	*	11/2003	Fujino et al.	.....	362/31

**1 Claim, 7 Drawing Sheets**



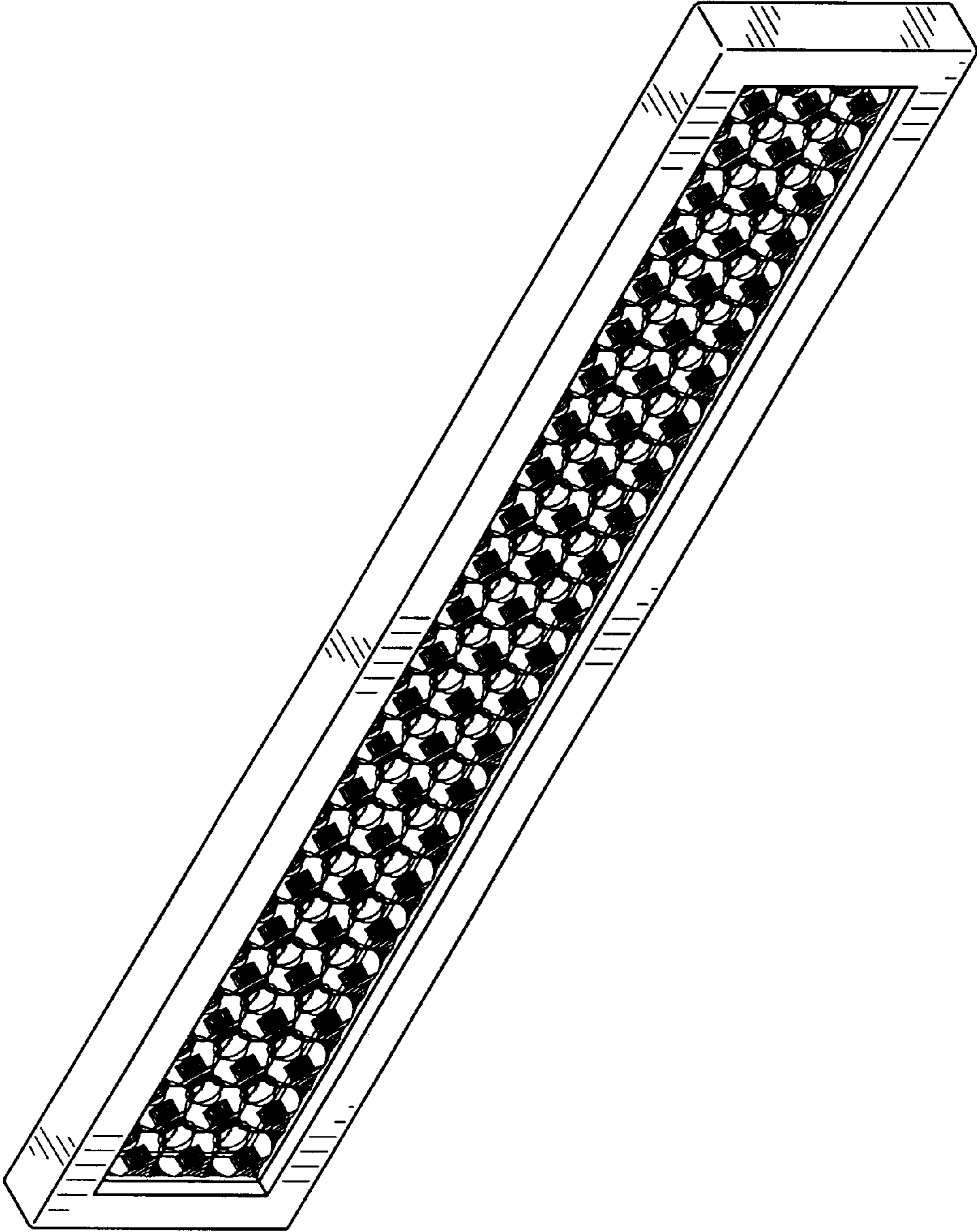


FIG. 1

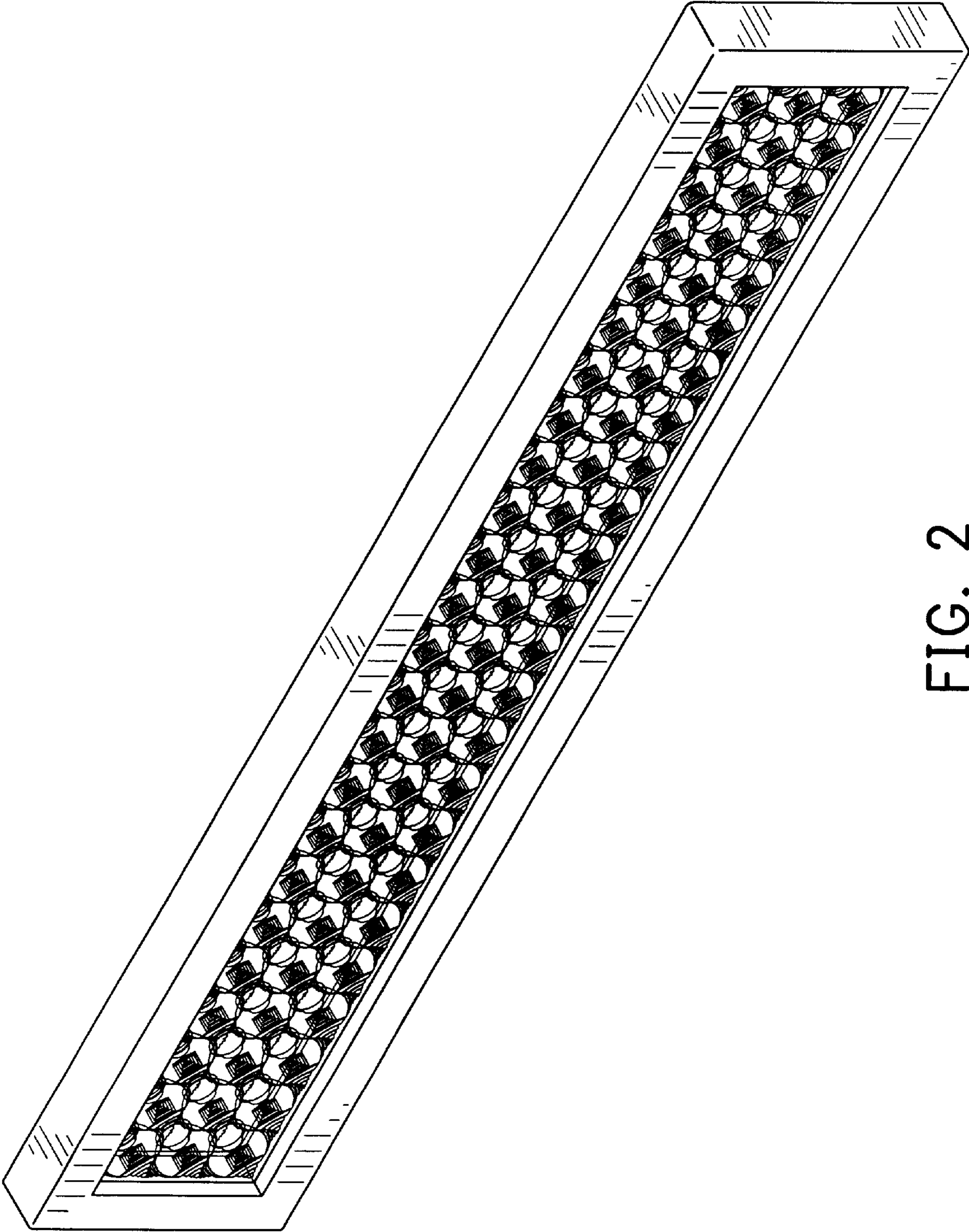


FIG. 2

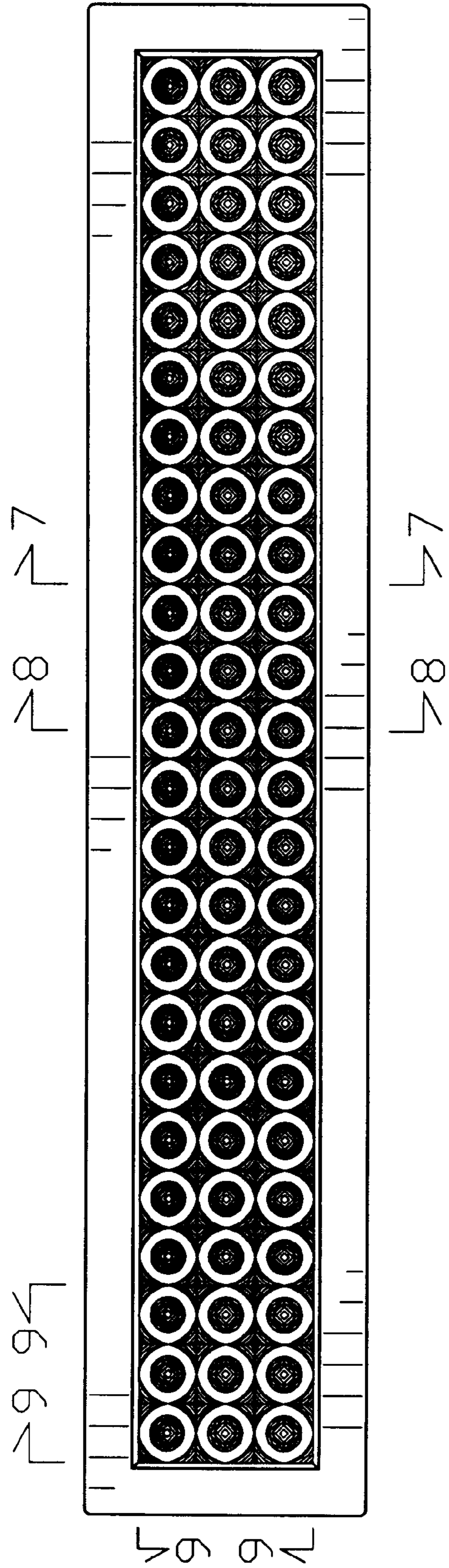


FIG. 3

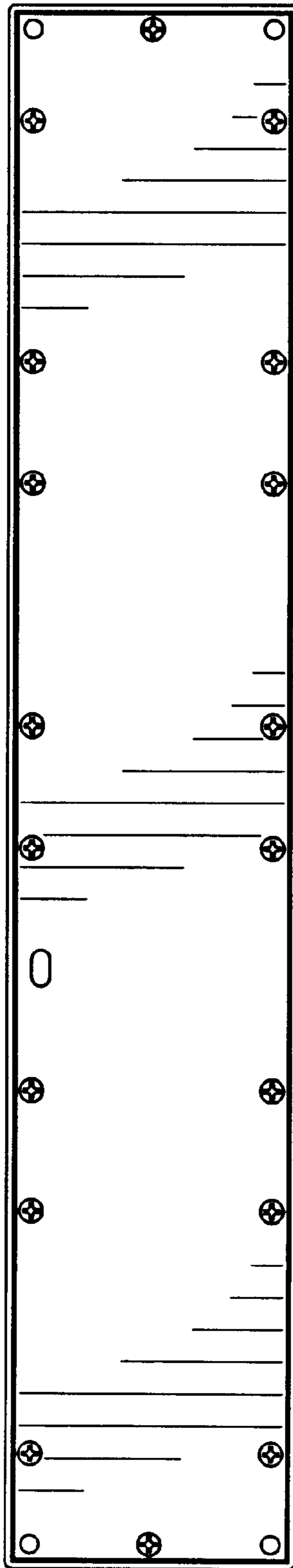


FIG. 4



FIG. 5

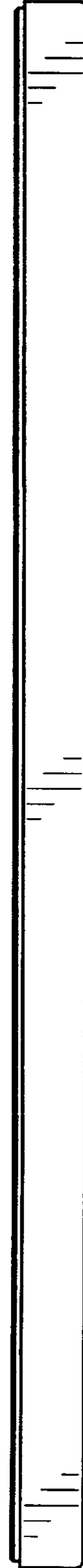


FIG. 6

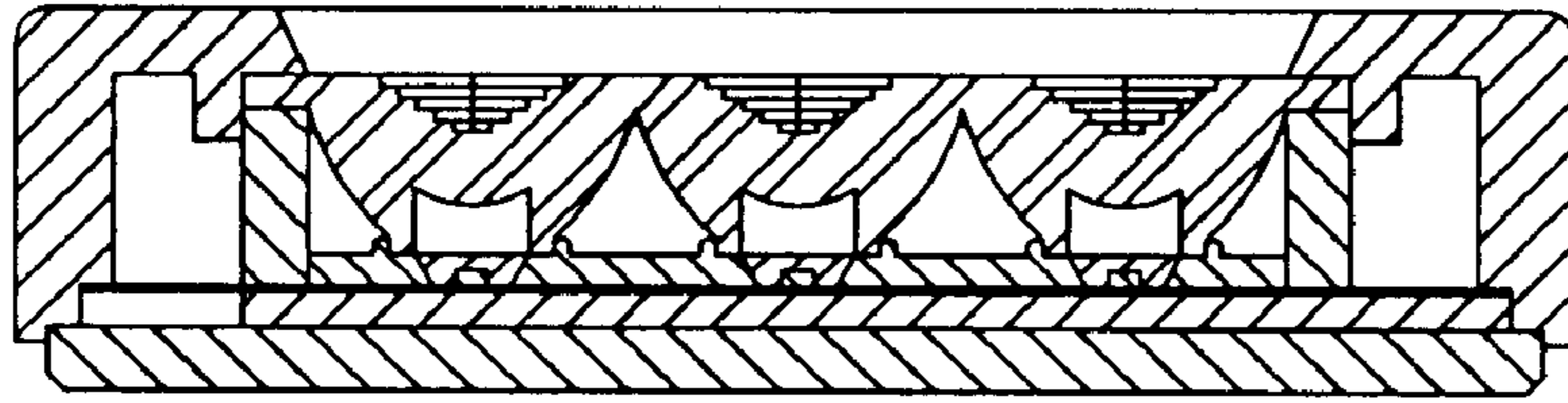


FIG. 8

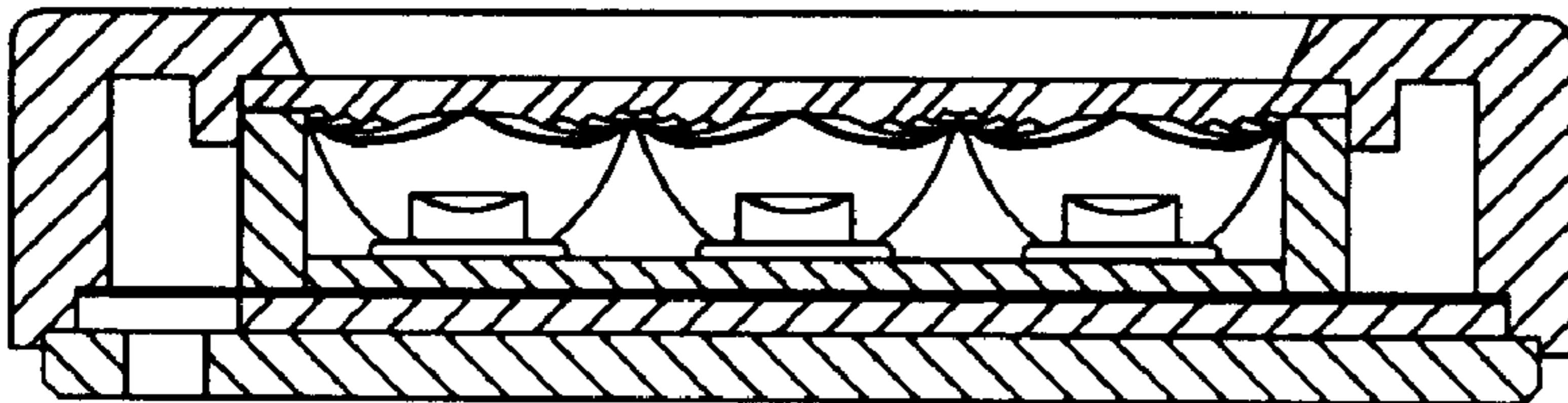


FIG. 7

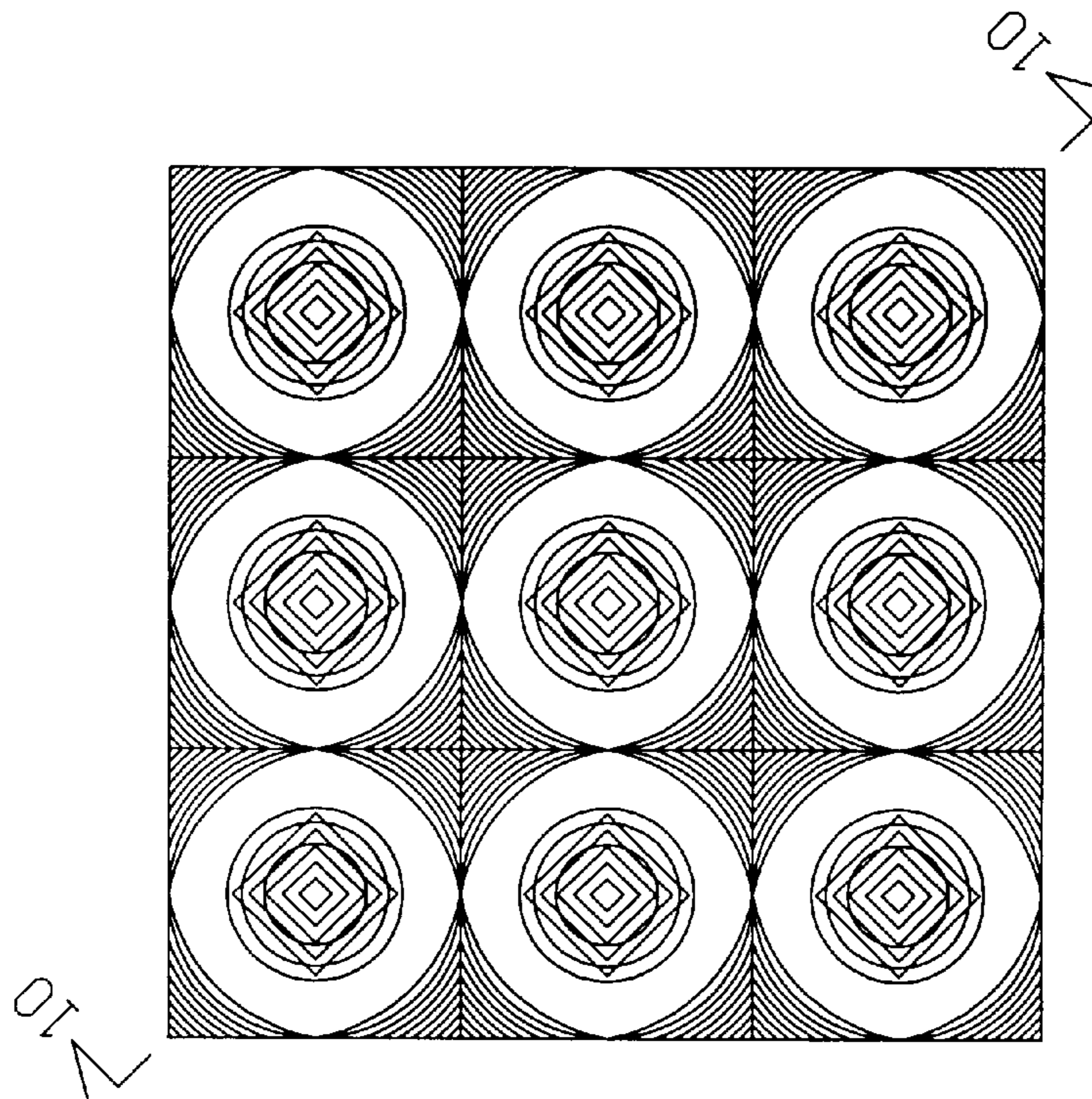


FIG. 9

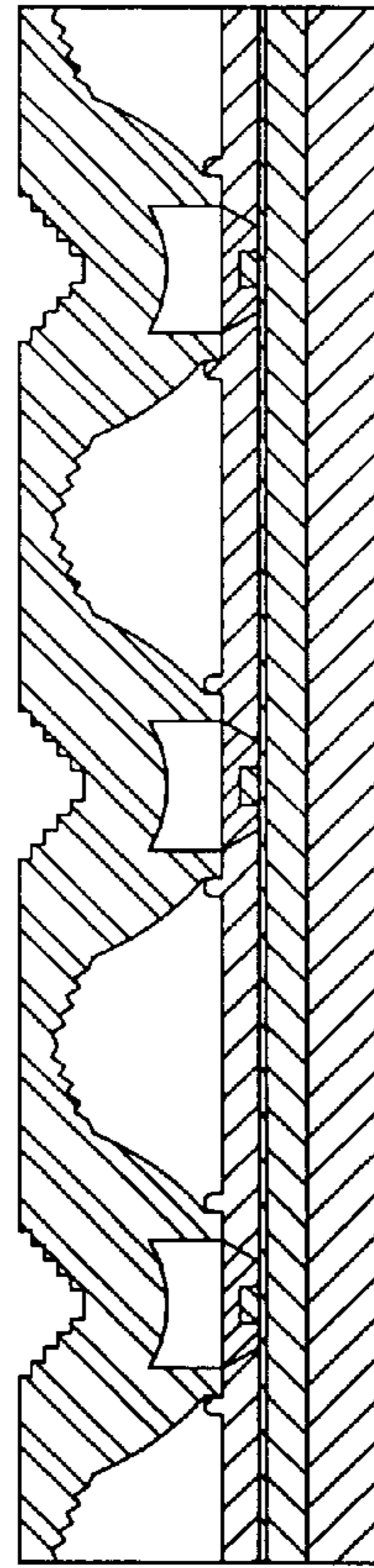


FIG. 10



UNITED STATES PATENT AND TRADEMARK OFFICE  
**CERTIFICATE OF CORRECTION**

PATENT NO. : Des. 539,945 S  
APPLICATION NO. : 29/237215  
DATED : April 3, 2007  
INVENTOR(S) : Kazuo Egawa et al.

Page 1 of 1

It is certified that error appears in the above-identified patent and that said Letters Patent is hereby corrected as shown below:

In the title page, item (75) inventors: please correct fourth inventor's residence city from "Toko" to --Tokyo--

Signed and Sealed this

Ninth Day of October, 2007

A handwritten signature in black ink on a light gray dotted background. The signature reads "Jon W. Dudas" in a cursive style.

JON W. DUDAS

*Director of the United States Patent and Trademark Office*