



US00D539944S

(12) **United States Design Patent**  
**Egawa et al.**

(10) **Patent No.:** **US D539,944 S**

(45) **Date of Patent:** **\*\* Apr. 3, 2007**

(54) **LIGHT EMITTING DIODE LAMP**

(75) Inventors: **Kazuo Egawa**, Tokyo (JP); **Takayoshi Moriyama**, Tokyo (JP); **Masami Iwamoto**, Tokyo (JP); **Masahiro Toda**, Tokyo (JP)

(73) Assignee: **Toshiba Lighting & Technology Corporation**, Tokyo (JP)

(\*\*) Term: **14 Years**

(21) Appl. No.: **29/237,182**

(22) Filed: **Aug. 26, 2005**

(30) **Foreign Application Priority Data**

Feb. 28, 2005 (JP) ..... 2005-005740

(51) **LOC (8) Cl.** ..... **26-05**

(52) **U.S. Cl.** ..... **D26/24; D26/72**

(58) **Field of Classification Search** ..... D26/1, D26/2, 24, 25, 26, 37, 50, 72, 77, 80-1, 83, D26/85-6, 88-9, 102, 118, 120-4, 152; D13/180, D13/182; 362/84, 157, 183-4, 227, 235-7, 362/249, 257, 317, 341-2, 551, 555, 611-3, 362/640-1, 644, 652, 800

See application file for complete search history.

(56) **References Cited**

**U.S. PATENT DOCUMENTS**

D171,866 S	*	3/1954	Schreckengost	.....	D26/122
D173,157 S	*	10/1954	Hurley	.....	D26/122
D222,102 S	*	9/1971	Schwartz et al.	.....	D26/122
D234,800 S	*	4/1975	Schwartz	.....	D26/24
D474,303 S	*	5/2003	Huang	.....	D26/123
D494,288 S	*	8/2004	Matsui et al.	.....	D26/2
D502,284 S	*	2/2005	Egawa et al.	.....	D26/122
D503,930 S	*	4/2005	Asakawa	.....	D13/180
D522,975 S	*	6/2006	Egawa et al.	.....	D13/180
D524,978 S	*	7/2006	Bellaloum	.....	D26/102

2004/0012957 A1	*	1/2004	Bachl et al.	.....	362/241
2004/0201987 A1	*	10/2004	Omata	.....	362/230
2006/0087843 A1	*	4/2006	Setomoto et al.	.....	362/249

**OTHER PUBLICATIONS**

John Lui, LEDs, shining flatly, Feb. 27, 2003, ZDNet Asia, <http://www.zdnetasia.com/news/internet/0,39044246,39116300,00.htm>.\*

\* cited by examiner

*Primary Examiner*—Alan P. Douglas

*Assistant Examiner*—Angela J. Lee

(74) *Attorney, Agent, or Firm*—J.C. Patents

(57) **CLAIM**

The ornamental design for a light emitting diode lamp, as shown and described.

**DESCRIPTION**

FIG. 1 is a perspective view of a light emitting diode lamp showing the new design.

FIG. 2 is a front view thereof.

FIG. 3 is a rear view thereof.

FIG. 4 is a right side view thereof, and the left side view being a mirror image of the right side view.

FIG. 5 is a top plan view thereof, and bottom plan view being a mirror image of the top plan view.

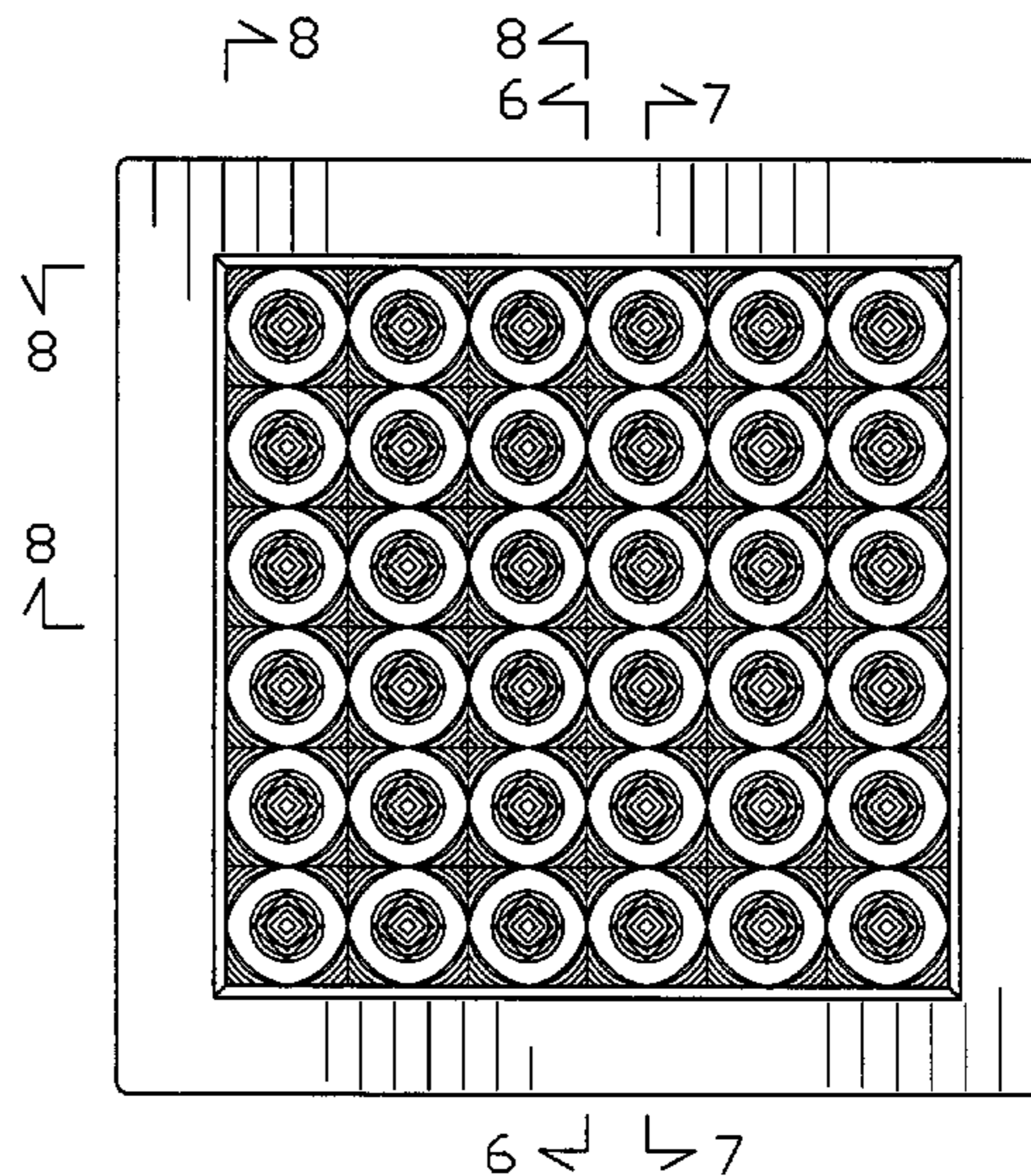
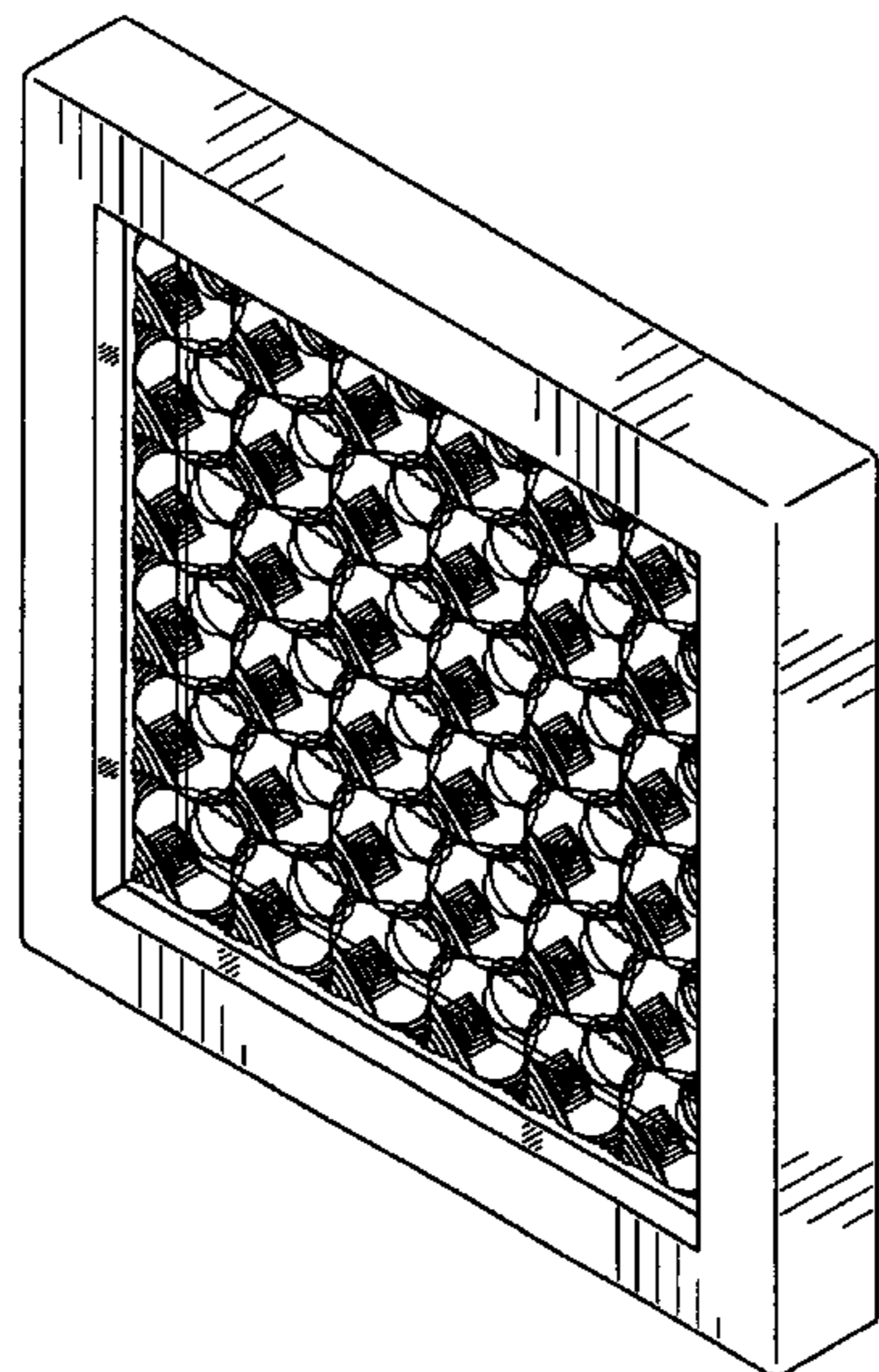
FIG. 6 is an enlarged cross-sectional view taken along line 6—6 in FIG. 2 with the internal parts omitted.

FIG. 7 is an enlarged cross-sectional view taken along line 7—7 in FIG. 2 with the internal parts omitted, wherein the portion having the double slanted lines are transparent.

FIG. 8 is an enlarged front view of the portion enclosed by lines 8—8 in FIG. 2, wherein the portion having the double slanted lines are transparent; and,

FIG. 9 is an end elevational view taken along line 9—9 in FIG. 8, wherein the portion having the double slanted lines are transparent.

**1 Claim, 8 Drawing Sheets**



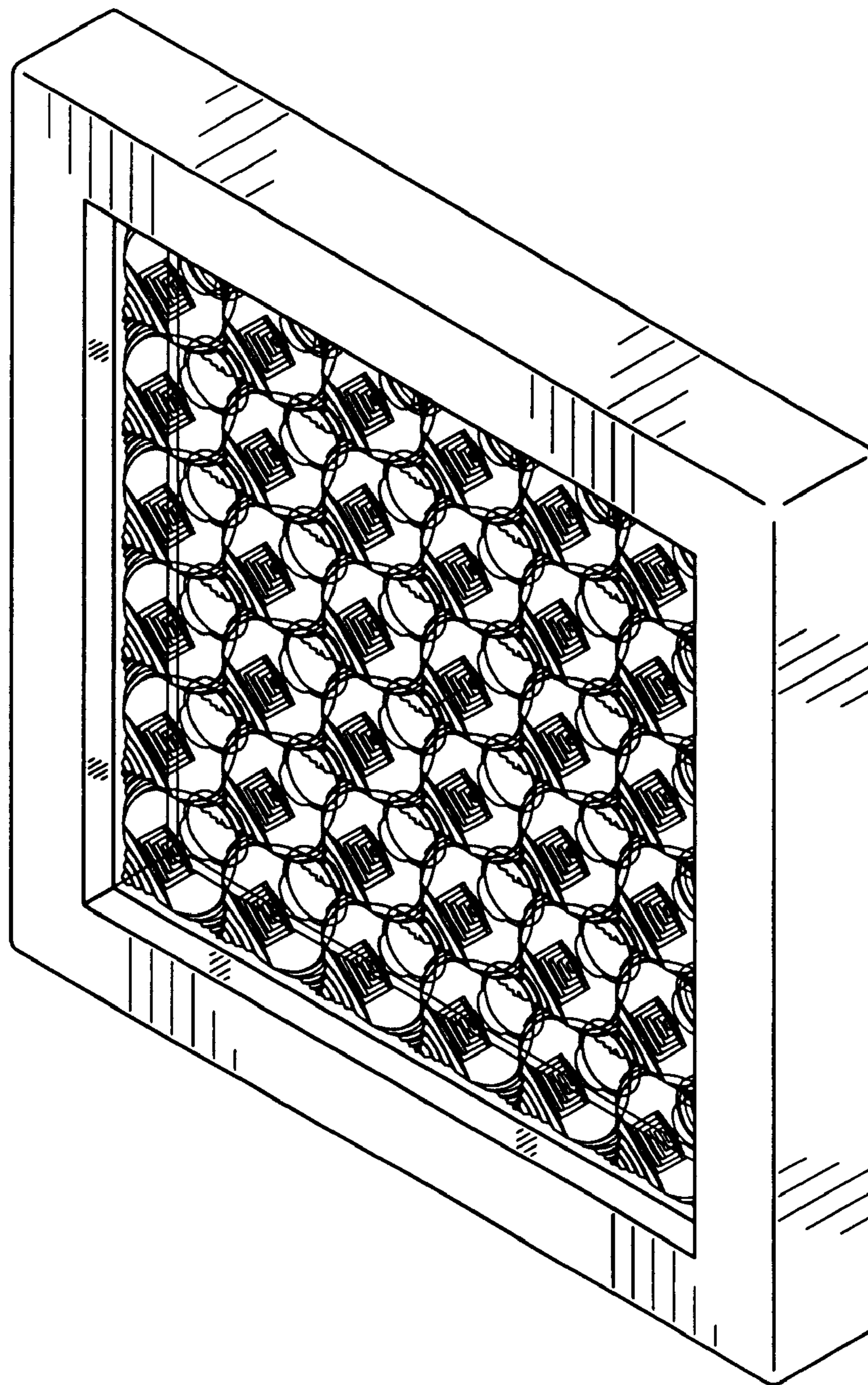


FIG. 1

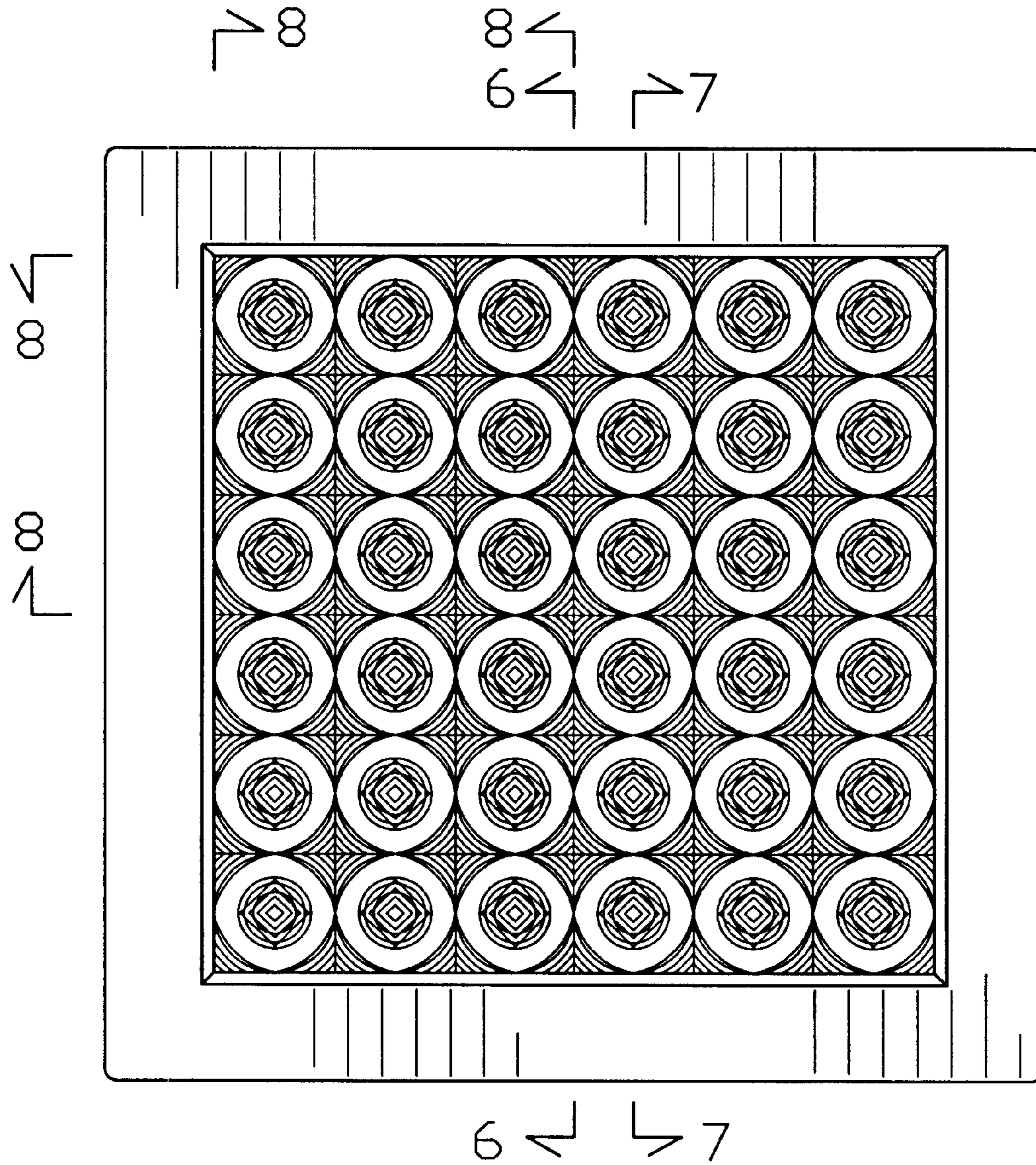


FIG. 2

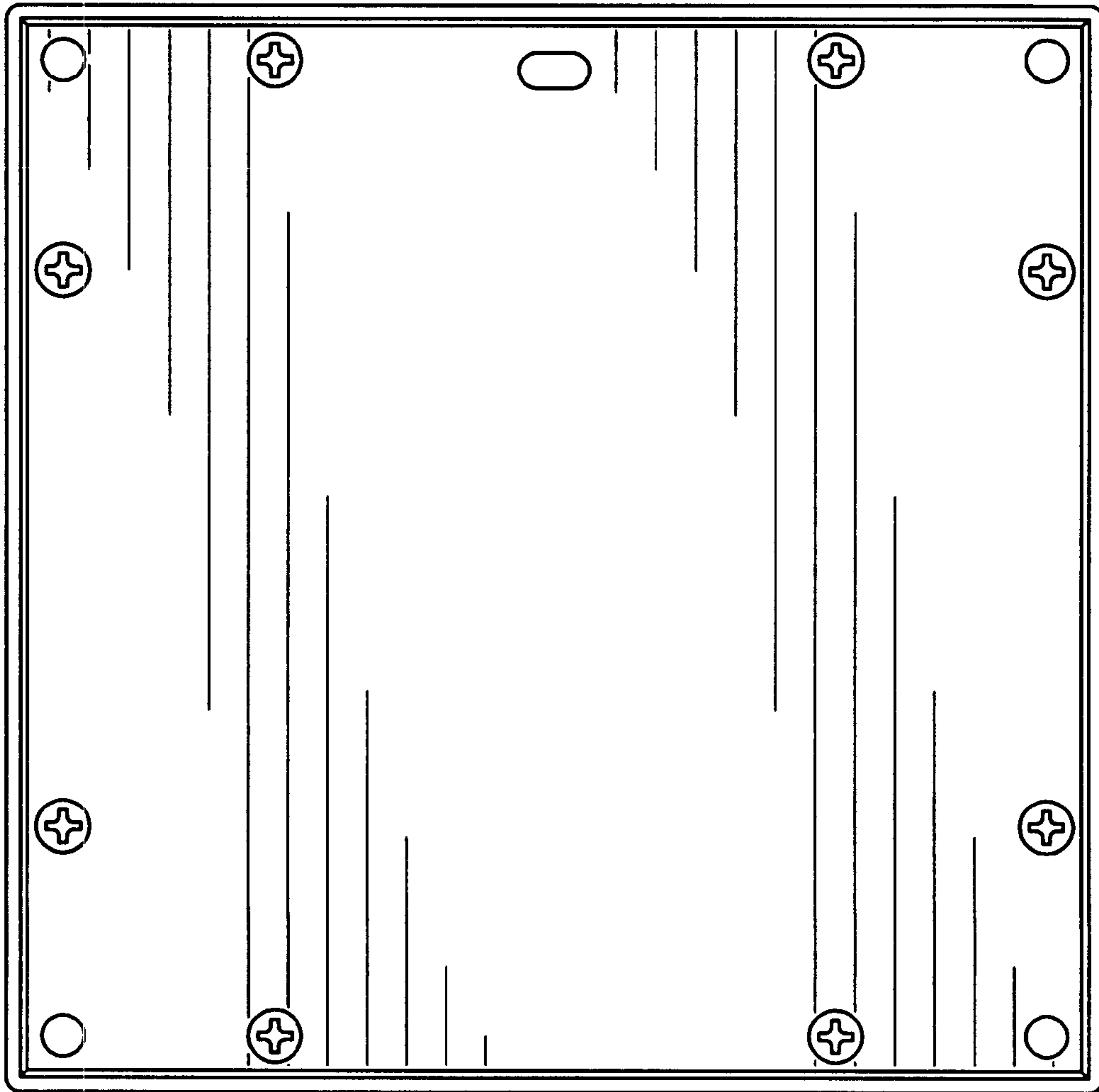


FIG. 3

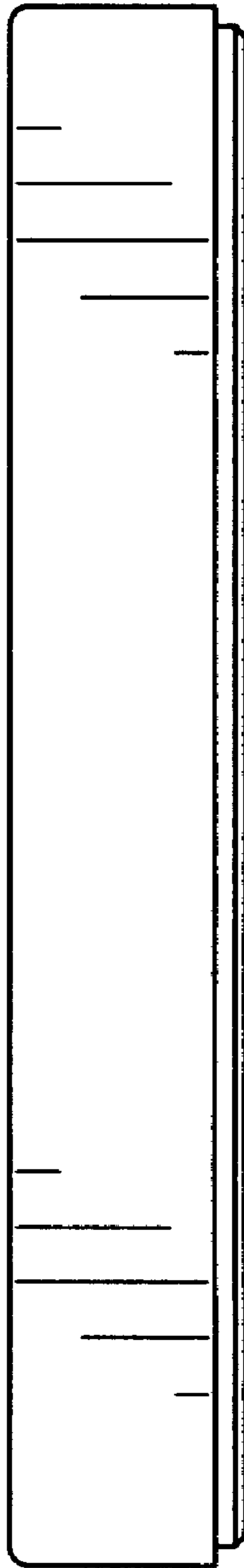


FIG. 4

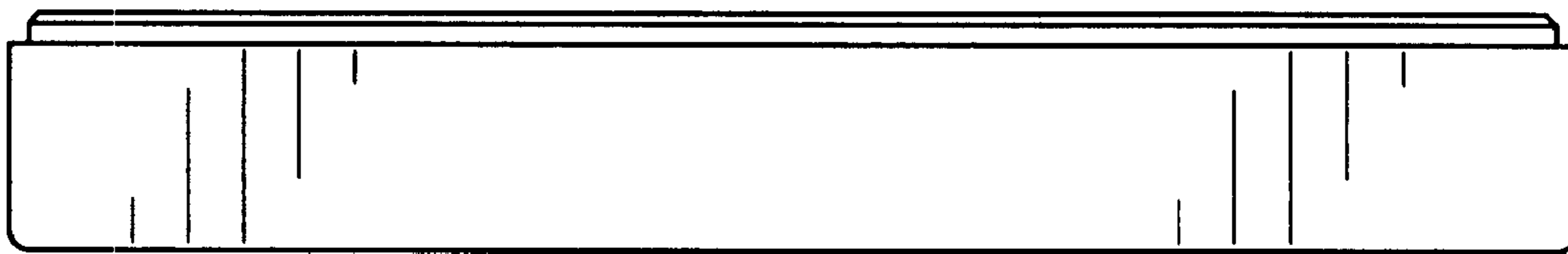


FIG. 5

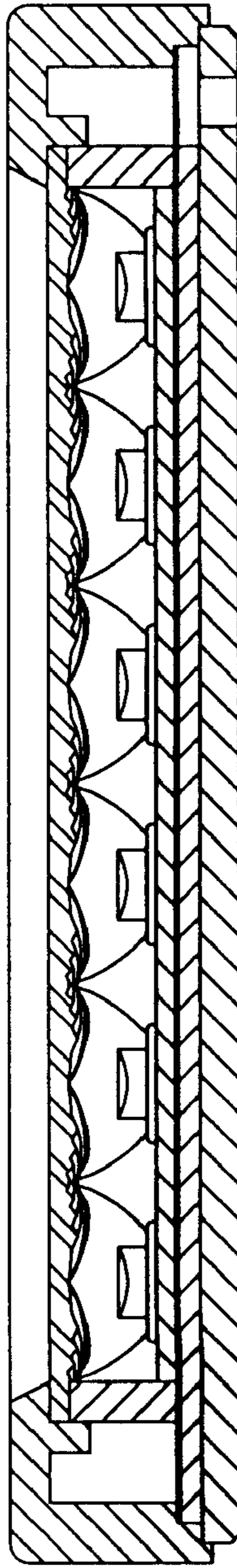


FIG. 6

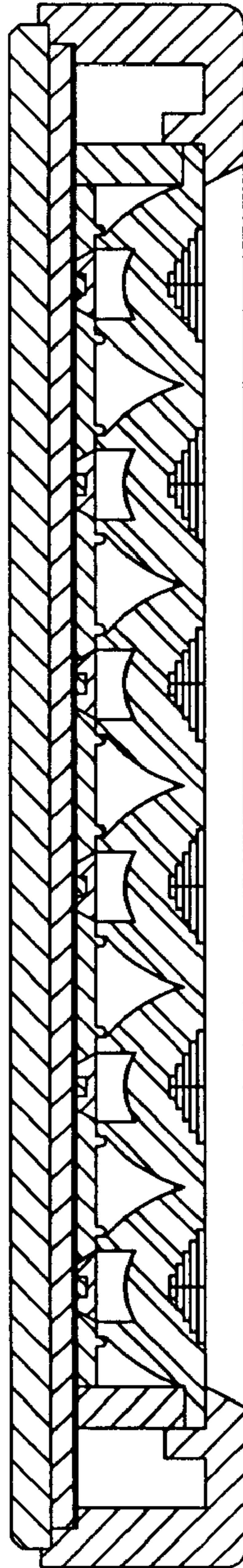
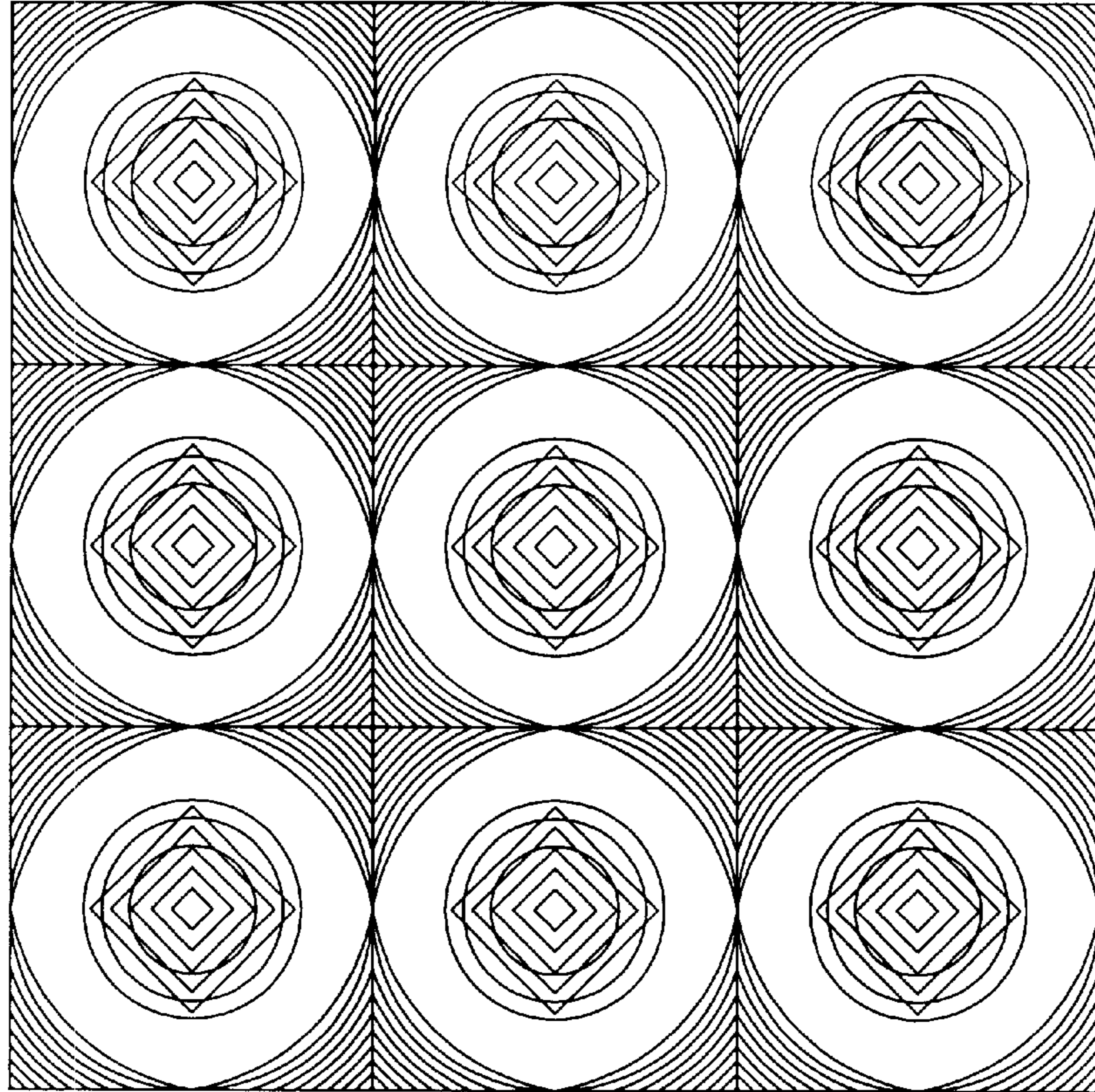


FIG. 7



9



9

FIG. 8

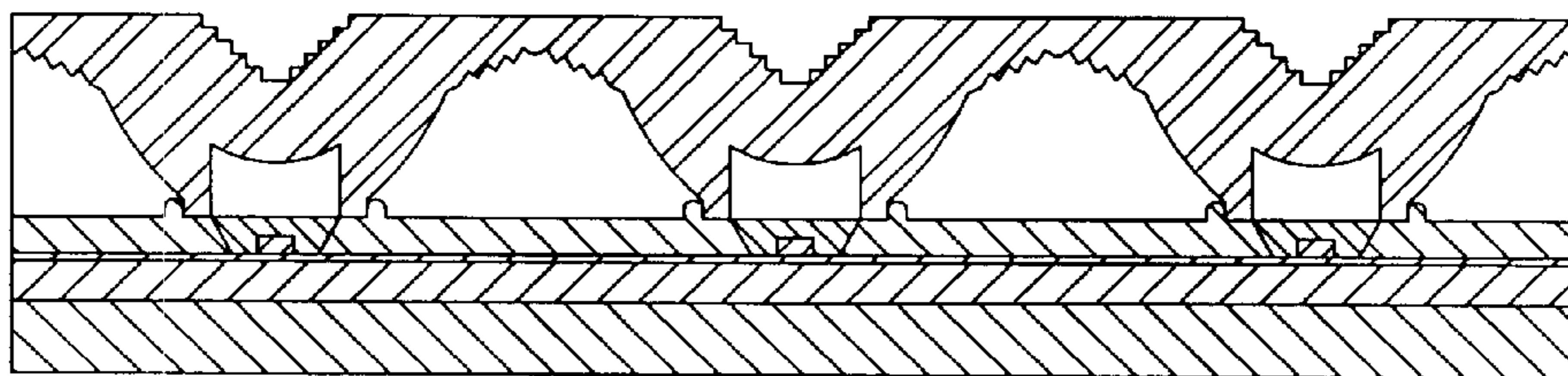


FIG. 9