



US00D539940S

(12) **United States Design Patent**  
**Mama**

(10) **Patent No.:** **US D539,940 S**

(45) **Date of Patent:** **\*\* Apr. 3, 2007**

(54) **LED BULB**

D468,845 S \* 1/2003 Bobel ..... D26/2  
D506,840 S \* 6/2005 Van de Ven et al. .... D26/2  
D524,954 S \* 7/2006 Hawass ..... D26/2

(75) Inventor: **Jack Mama**, London (GB)

(73) Assignee: **Koninklijke Philips Electronics N.V.**,  
Eindhoven (NL)

\* cited by examiner

(\*\*) Term: **14 Years**

*Primary Examiner*—Marcus A. Jackson

(21) Appl. No.: **29/256,070**

(57) **CLAIM**

(22) Filed: **Mar. 15, 2006**

The ornamental design for a led bulb, as shown.

(30) **Foreign Application Priority Data**

**DESCRIPTION**

Sep. 16, 2005 (EM) ..... 000401880-0015

FIG. 1 is a perspective view showing my design;

(51) **LOC (8) Cl.** ..... **26-04**

FIG. 2 is a front elevational view thereof;

(52) **U.S. Cl.** ..... **D26/2**

FIG. 3 is a rear elevational view thereof;

(58) **Field of Classification Search** ..... D26/1-4;  
313/313, 315, 317, 318, 493; 315/52, 53,  
315/56, 57, 58

FIG. 4 is a right side elevational view thereof;

See application file for complete search history.

FIG. 5 is a left side elevational view thereof;

FIG. 6 is a top plan view thereof; and,

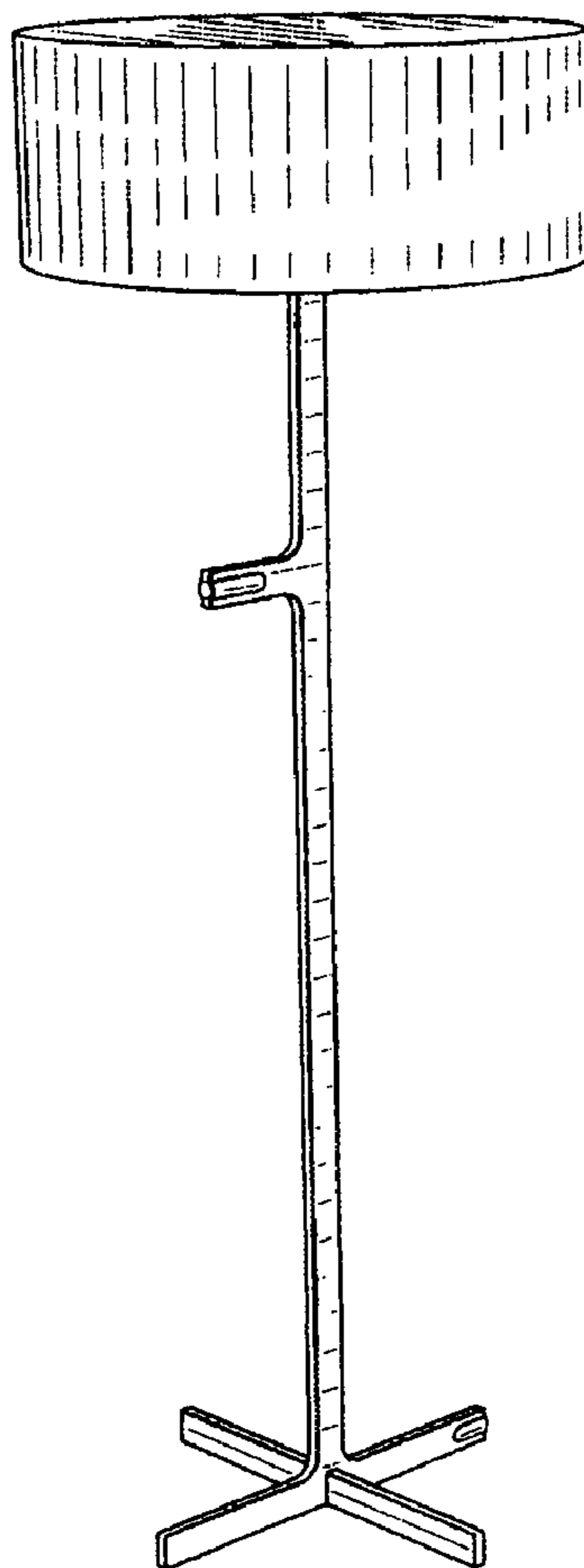
FIG. 7 is a bottom plan view thereof.

(56) **References Cited**

**U.S. PATENT DOCUMENTS**

D420,155 S \* 2/2000 Kato et al. .... D26/2

**1 Claim, 3 Drawing Sheets**



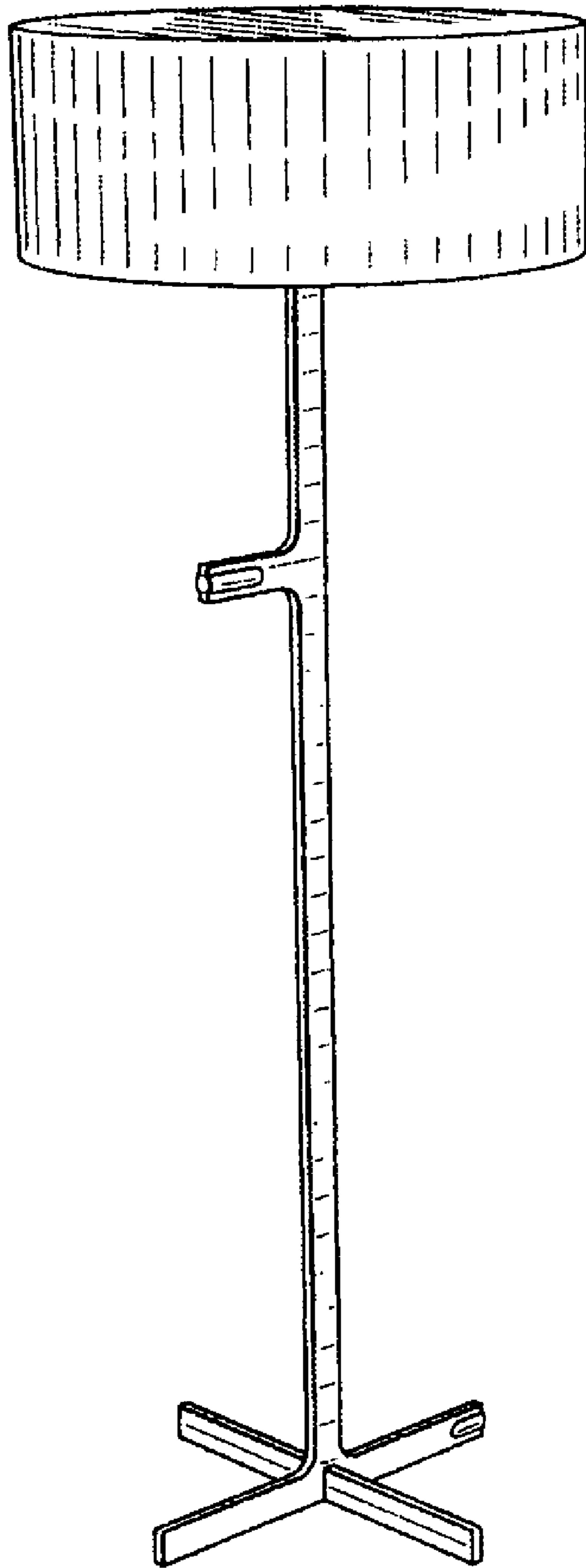


FIG. 1

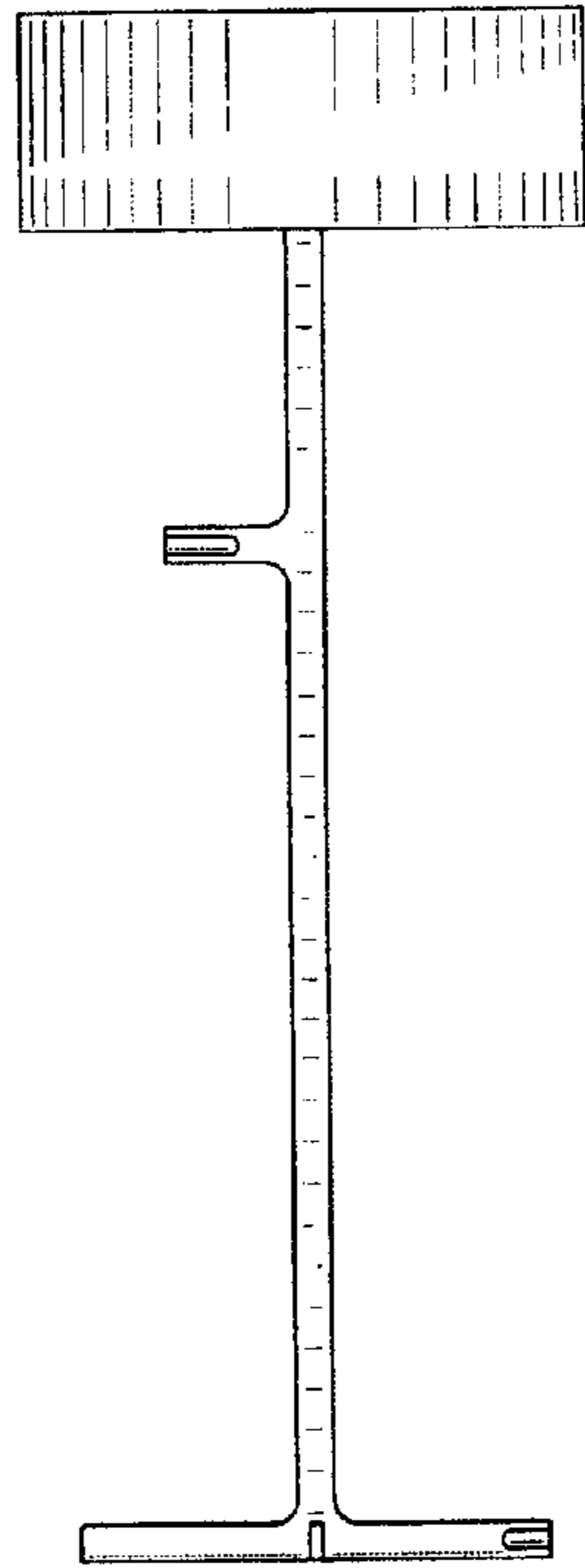


FIG. 2

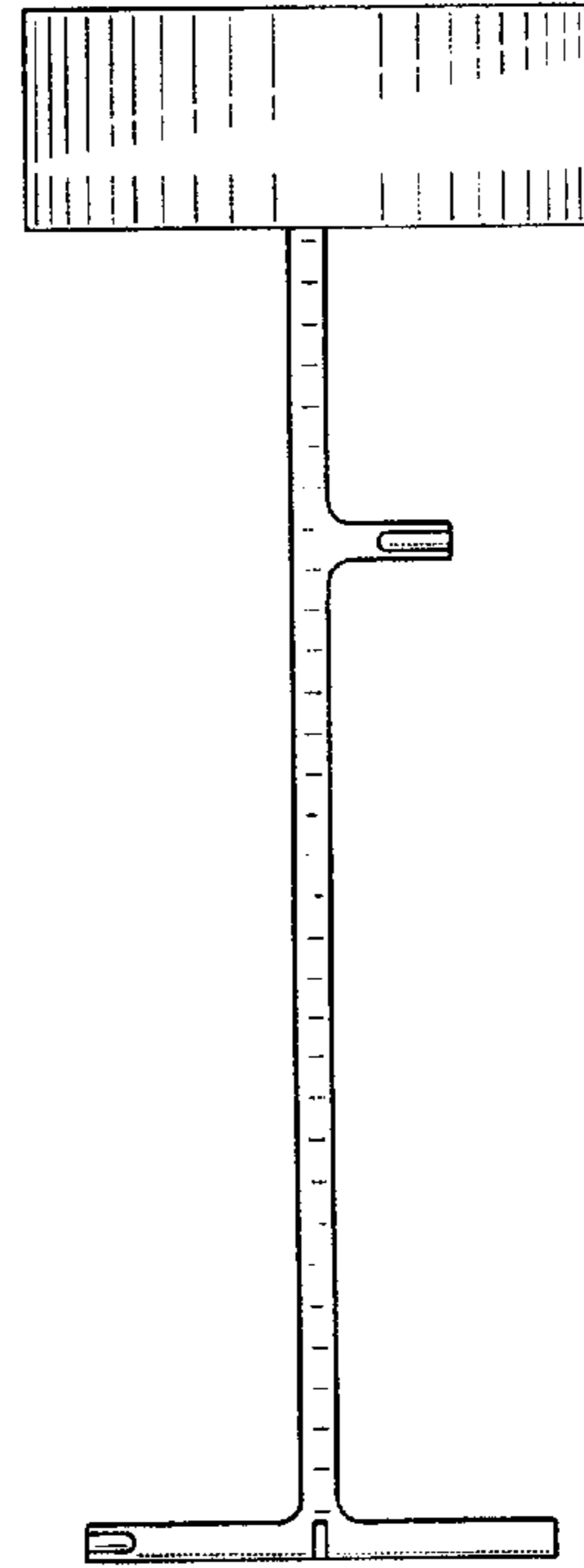


FIG. 3

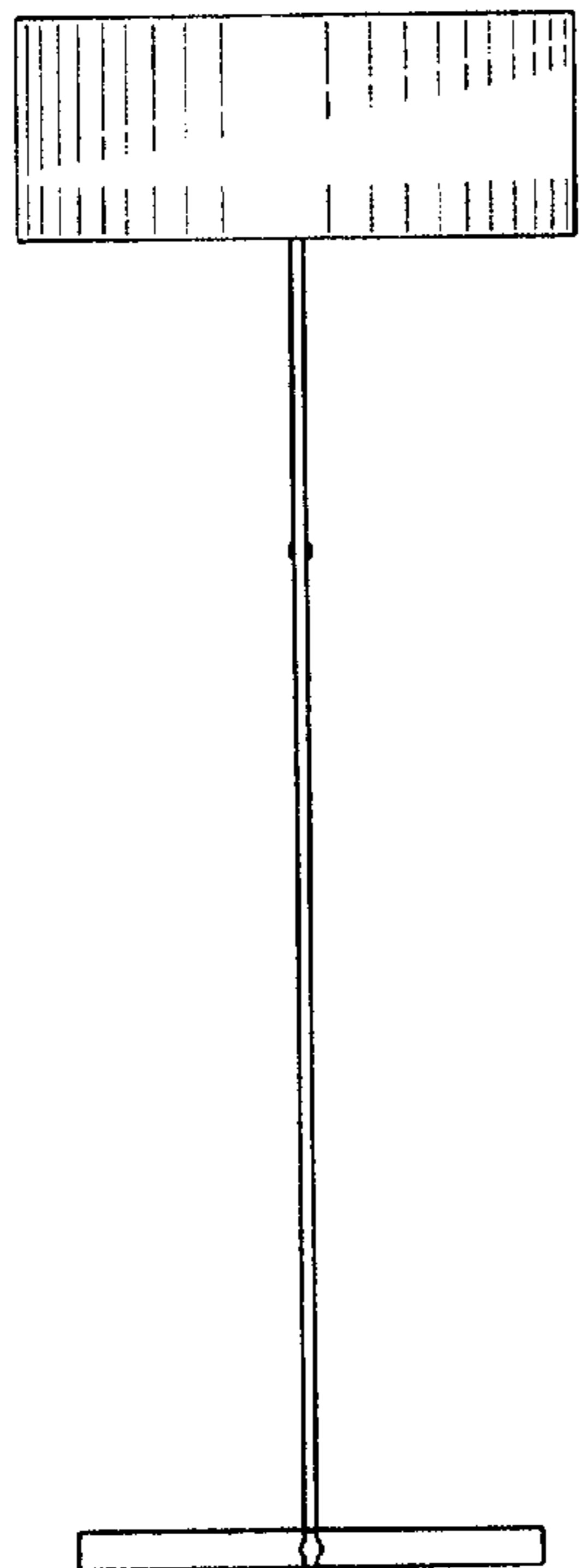


FIG. 4

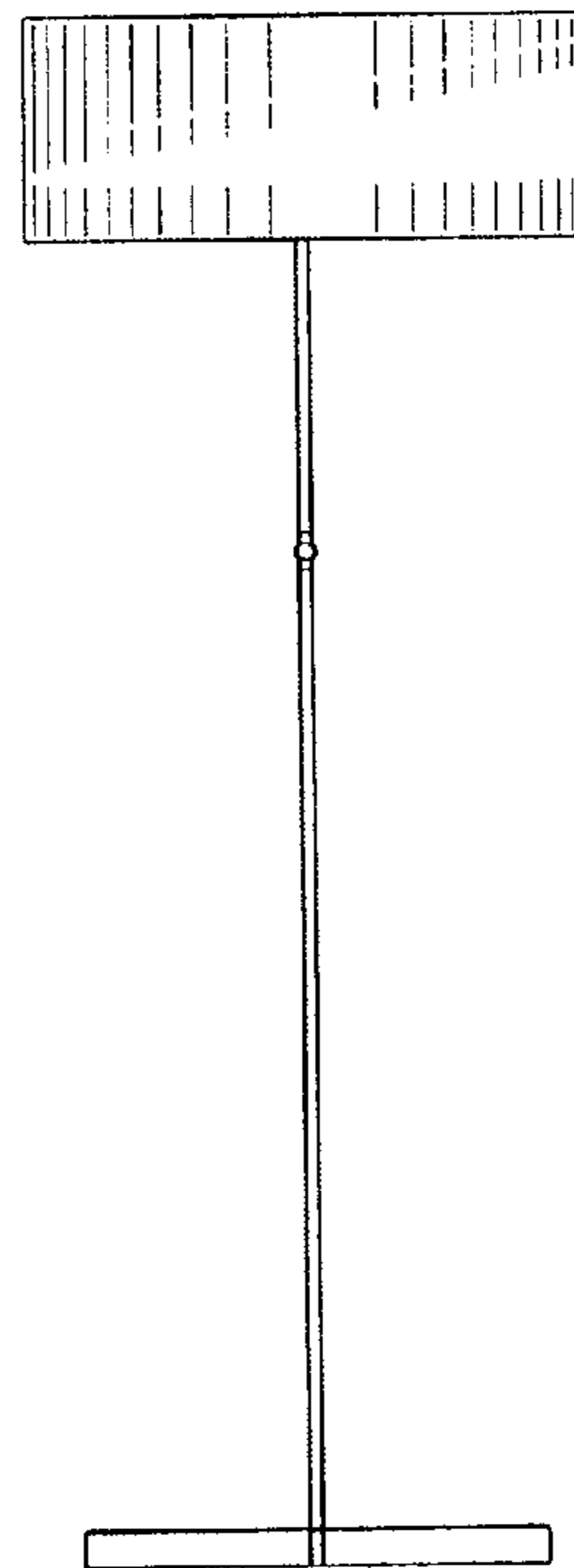
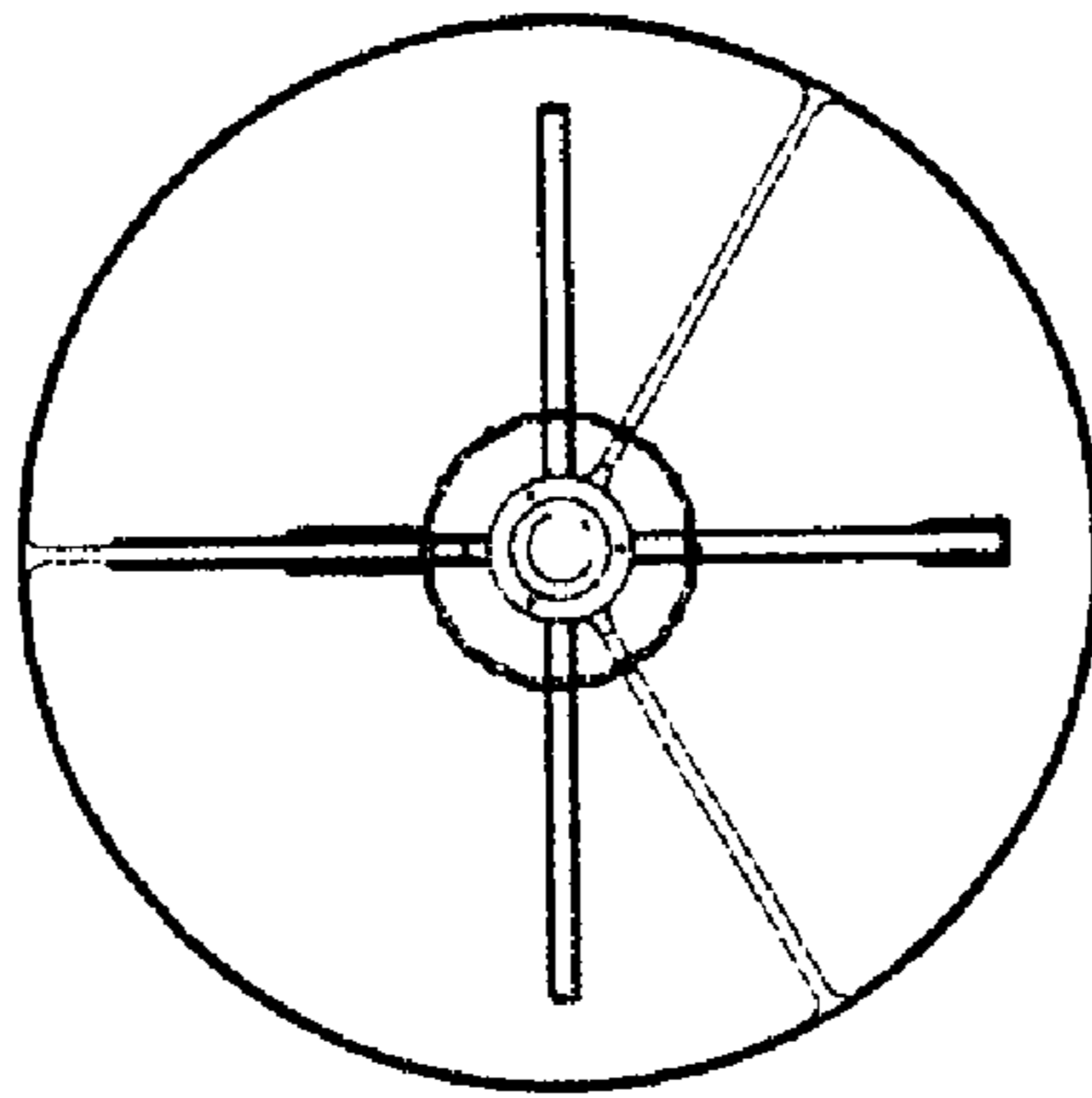
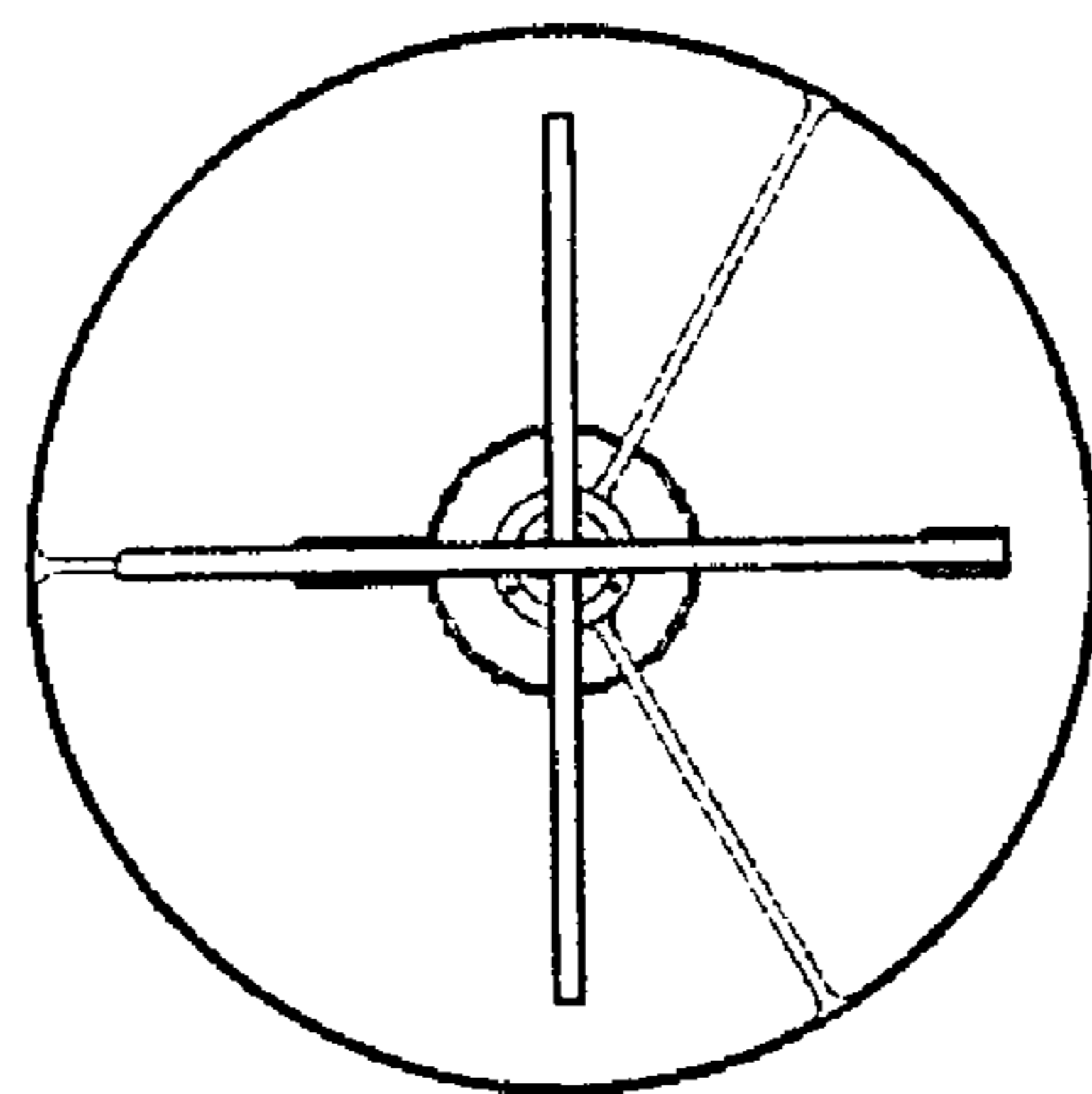


FIG. 5



**FIG. 6**



**FIG. 7**