



US00D539934S

(12) **United States Design Patent**  
**Blain**

(10) **Patent No.:** **US D539,934 S**

(45) **Date of Patent:** **\*\* Apr. 3, 2007**

- (54) **INTERBODY FUSION DEVICE**
- (75) Inventor: **Jason Blain**, Encinitas, CA (US)
- (73) Assignee: **Spinal Elements, Inc.**, Carlsbad, CA (US)
- (\*\*) Term: **14 Years**
- (21) Appl. No.: **29/257,473**
- (22) Filed: **Apr. 3, 2006**

**Related U.S. Application Data**

- (62) Division of application No. 29/242,012, filed on Nov. 4, 2005, now Pat. No. Des. 533,277.
- (51) **LOC (8) Cl.** ..... **24-03**
- (52) **U.S. Cl.** ..... **D25/155**
- (58) **Field of Classification Search** ..... D24/155;  
606/61, 72, 74; 623/17.16, 17.17, 11.11  
See application file for complete search history.

- 6,409,766 B1 \* 6/2002 Brett ..... 623/17.16
- 6,432,106 B1 8/2002 Fraser
- 6,468,311 B2 \* 10/2002 Boyd et al. .... 623/17.16
- 6,482,233 B1 11/2002 Aebi et al.
- D472,634 S \* 4/2003 Anderson ..... D24/155
- D473,650 S \* 4/2003 Anderson ..... D24/155
- 6,613,091 B1 \* 9/2003 Zdeblick et al. .... 623/17.16
- 6,676,703 B2 1/2004 Biscup
- 6,726,722 B2 \* 4/2004 Walkenhorst et al. .... 623/17.11
- 6,730,127 B2 5/2004 Michelson
- 6,746,484 B1 \* 6/2004 Liu et al. .... 623/17.16
- D493,225 S 7/2004 Varga et al.
- D494,274 S 8/2004 Varga et al.
- 6,824,564 B2 \* 11/2004 Crozet ..... 623/17.11
- D501,555 S 2/2005 Varga et al.
- D503,801 S \* 4/2005 Jackson ..... D24/155
- 6,955,691 B2 \* 10/2005 Chae et al. .... 623/17.16
- 6,942,698 B1 \* 11/2005 Jackson ..... 623/17.16
- 6,964,687 B1 \* 11/2005 Bernard ..... 623/17.11
- 6,972,019 B2 \* 12/2005 Michelson ..... 623/17.16
- 6,974,480 B2 \* 12/2005 Messerli et al. .... 623/17.16
- 6,979,353 B2 \* 12/2005 Bresina ..... 623/17.16

(Continued)

(56) **References Cited**

**U.S. PATENT DOCUMENTS**

- 5,425,772 A 6/1995 Brantigan
- 5,443,514 A 8/1995 Steffee
- 5,484,437 A 1/1996 Michelson
- 5,658,337 A 8/1997 Kohrs et al.
- 5,669,909 A 9/1997 Zdeblick et al.
- 5,766,252 A \* 6/1998 Henry et al. .... 623/17.16
- 5,782,919 A 7/1998 Zdeblick et al.
- 5,888,223 A 3/1999 Bray, Jr.
- 5,888,224 A 3/1999 Beckers et al.
- 5,984,967 A 11/1999 Zdeblick et al.
- 6,080,158 A 6/2000 Lin
- 6,120,502 A 9/2000 Michaelson
- 6,132,465 A 10/2000 Ray et al.
- 6,231,610 B1 5/2001 Geisler
- 6,235,059 B1 5/2001 Benezech et al.
- 6,245,108 B1 6/2001 Biscup
- 6,290,724 B1 9/2001 Marino
- 6,325,827 B1 12/2001 Lin
- 6,342,055 B1 1/2002 Eisermann et al.
- 6,375,655 B1 \* 4/2002 Zdeblick et al. .... 606/61

*Primary Examiner*—Charles A. Rademaker

(74) *Attorney, Agent, or Firm*—Knobbe Martens Olson & Bear LLP

(57) **CLAIM**

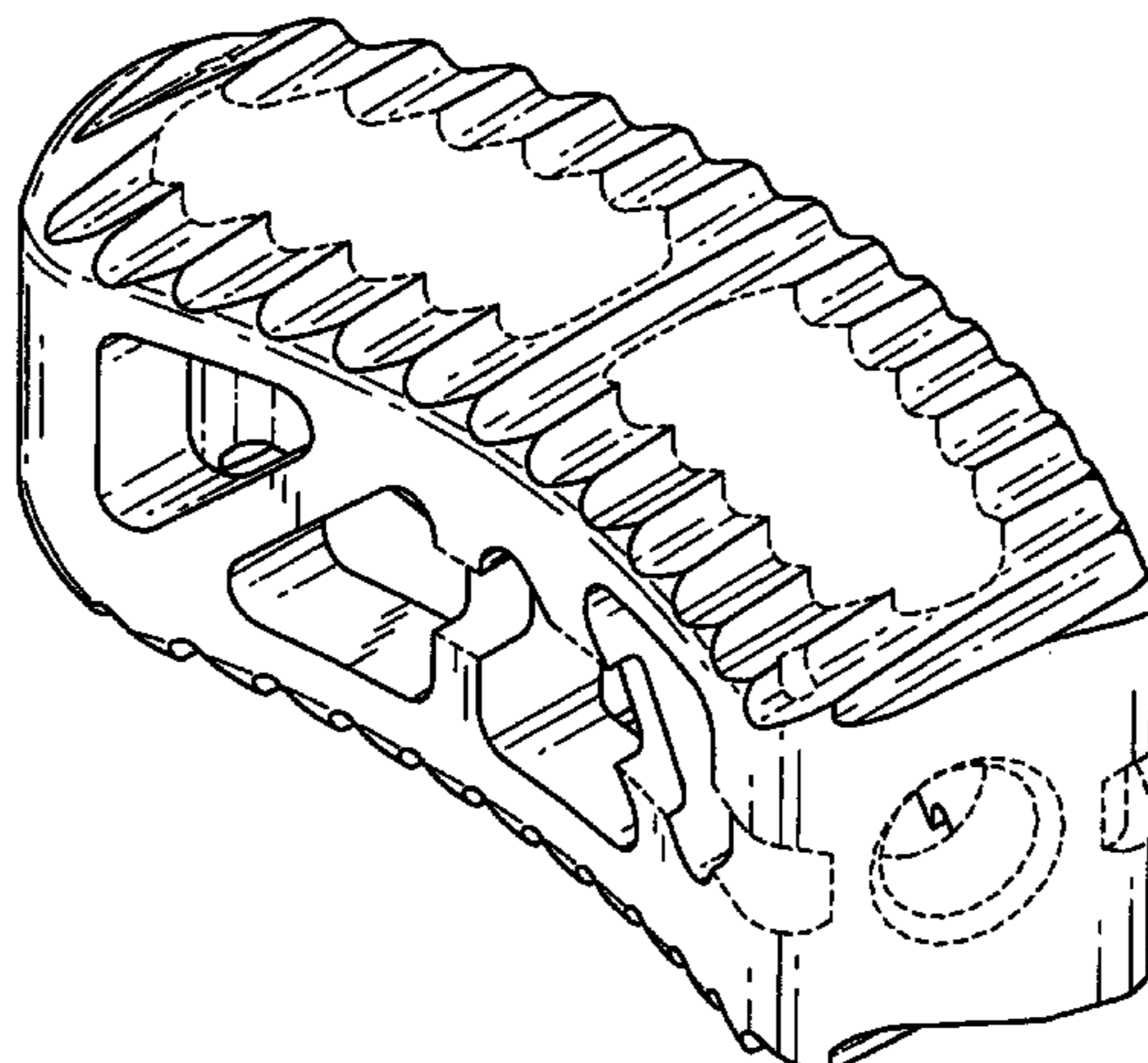
The ornamental design for an interbody fusion device, as shown and described.

**DESCRIPTION**

FIG. 1 is a rear perspective view of an interbody fusion device showing my new design; FIG. 2 is a right-side elevation thereof; FIG. 3 is a left-side elevation thereof; FIG. 4 is a rear elevation thereof; FIG. 5 is a front elevation thereof; FIG. 6 is a top plan view thereof; and, FIG. 7 is a bottom plan view thereof.

The broken lines which define the bounds of the claimed design form no part thereof.

**1 Claim, 4 Drawing Sheets**



# US D539,934 S

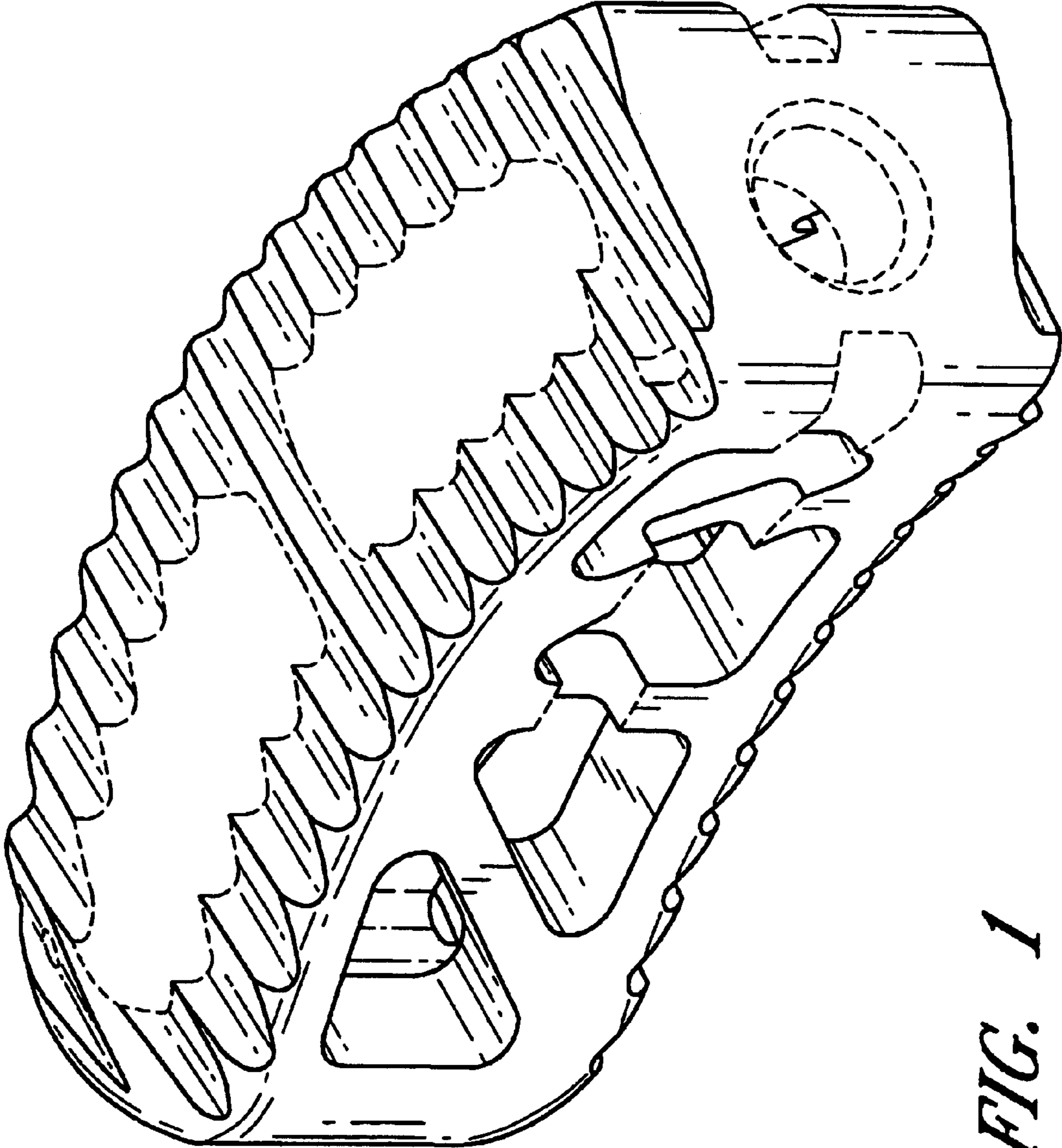
Page 2

---

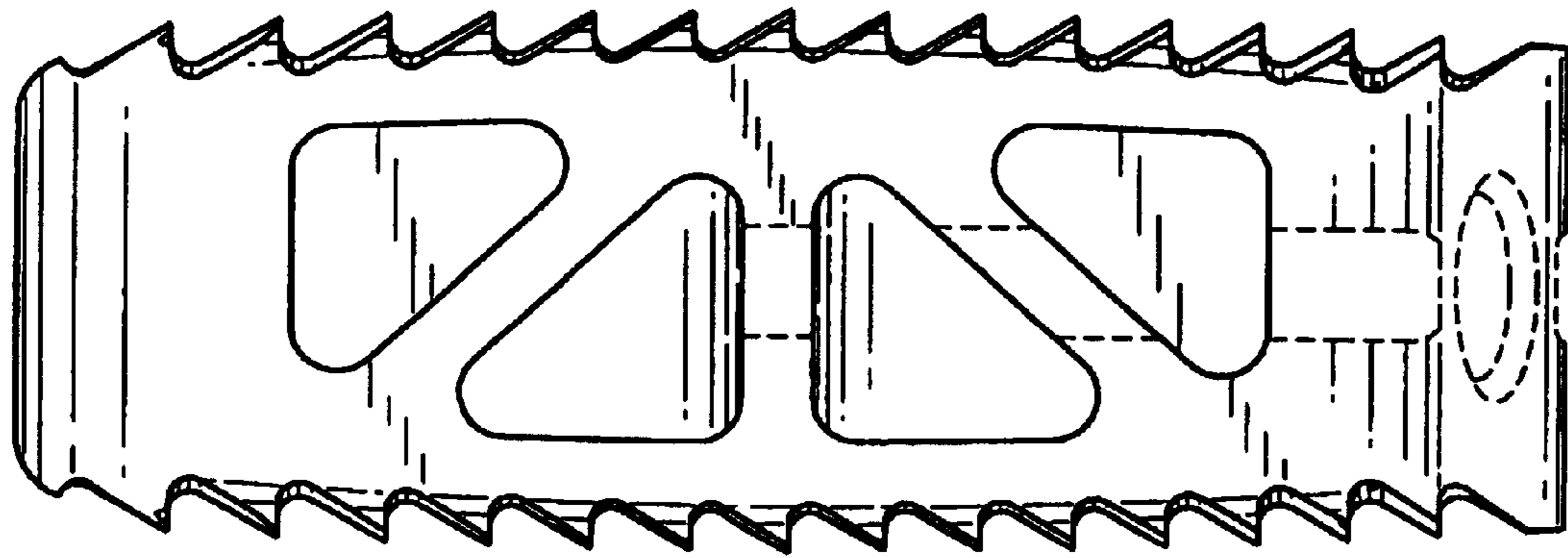
## U.S. PATENT DOCUMENTS

6,989,031 B2 *	1/2006	Michelson .....	623/17.11	2004/0117020 A1	6/2004	Frey et al.
2002/0099376 A1	7/2002	Michelson		2004/0127990 A1	7/2004	Bartish, Jr. et al.
2002/0103540 A1	8/2002	Cooper et al.		2005/0004671 A1	1/2005	Ross et al.
2002/0143400 A1	10/2002	Biscup		2005/0027360 A1	2/2005	Webb et al.
2003/0114931 A1	6/2003	Lee et al.		2005/0038431 A1	2/2005	Bartish et al.
2003/0139812 A1	7/2003	Garcia et al.		2005/0096745 A1	5/2005	Andre et al.

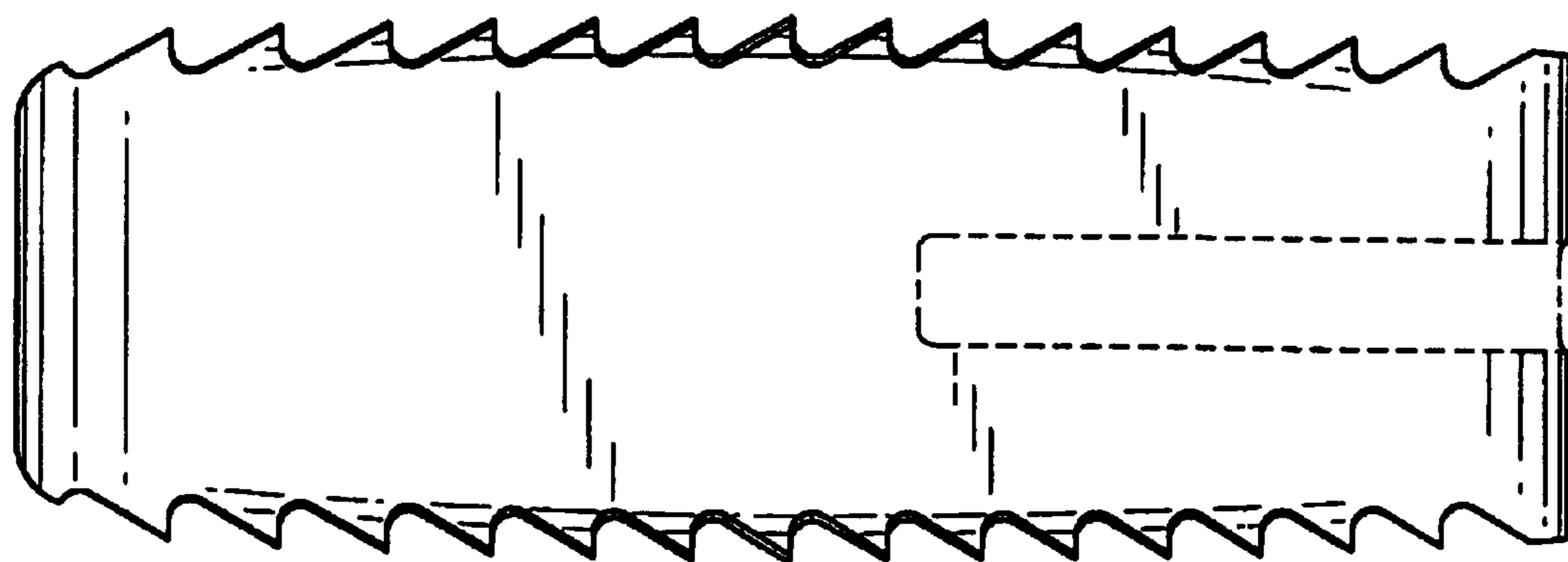
\* cited by examiner



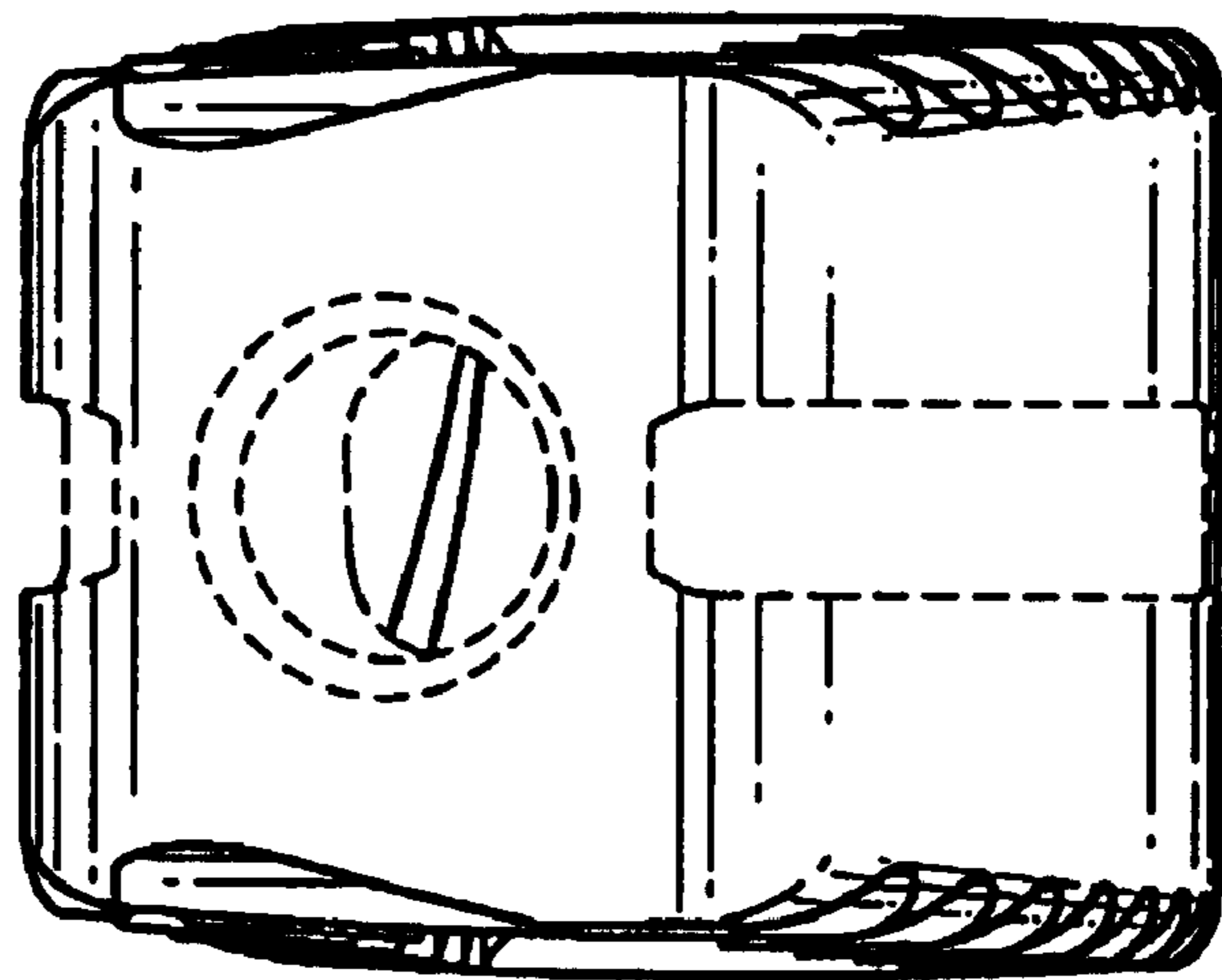
*FIG. 1*



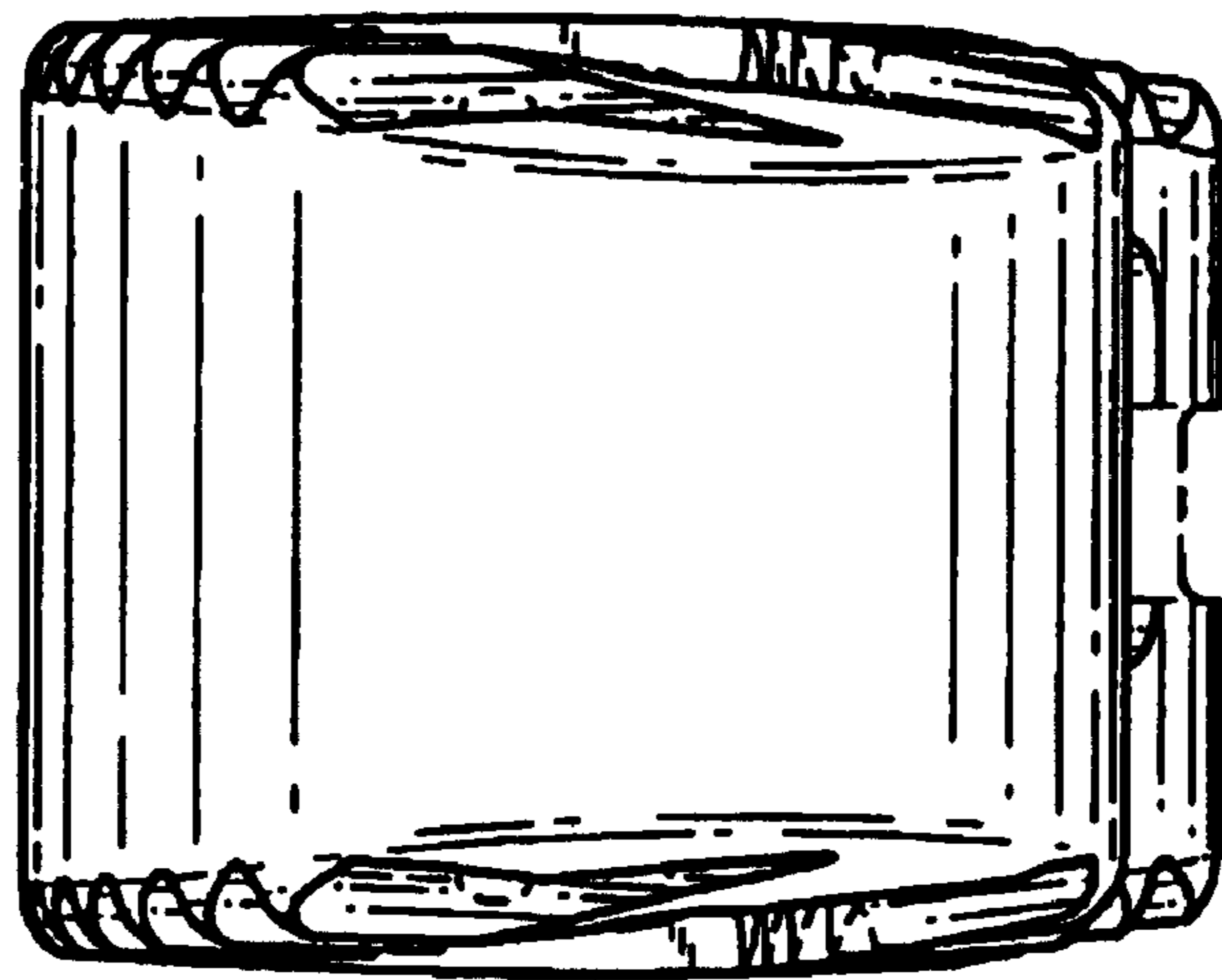
*FIG. 2*



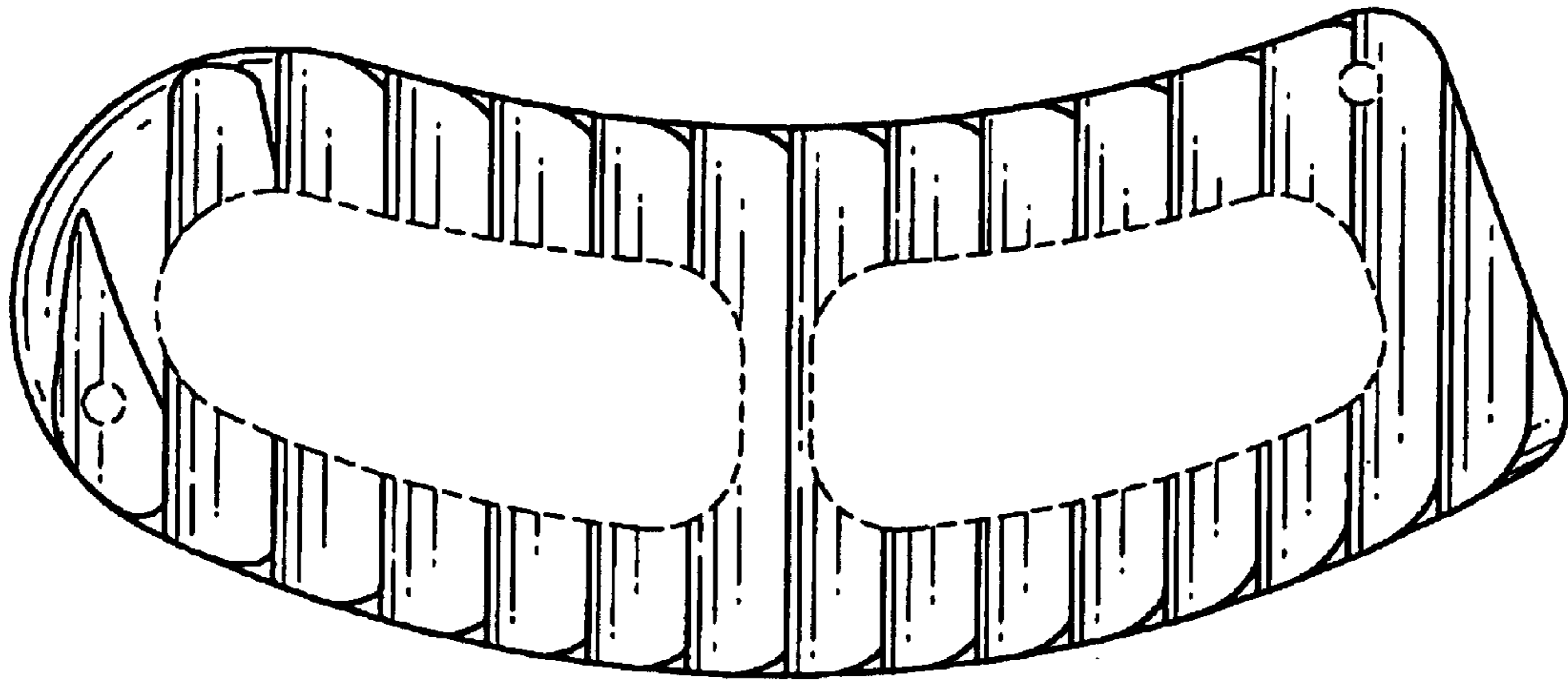
*FIG. 3*



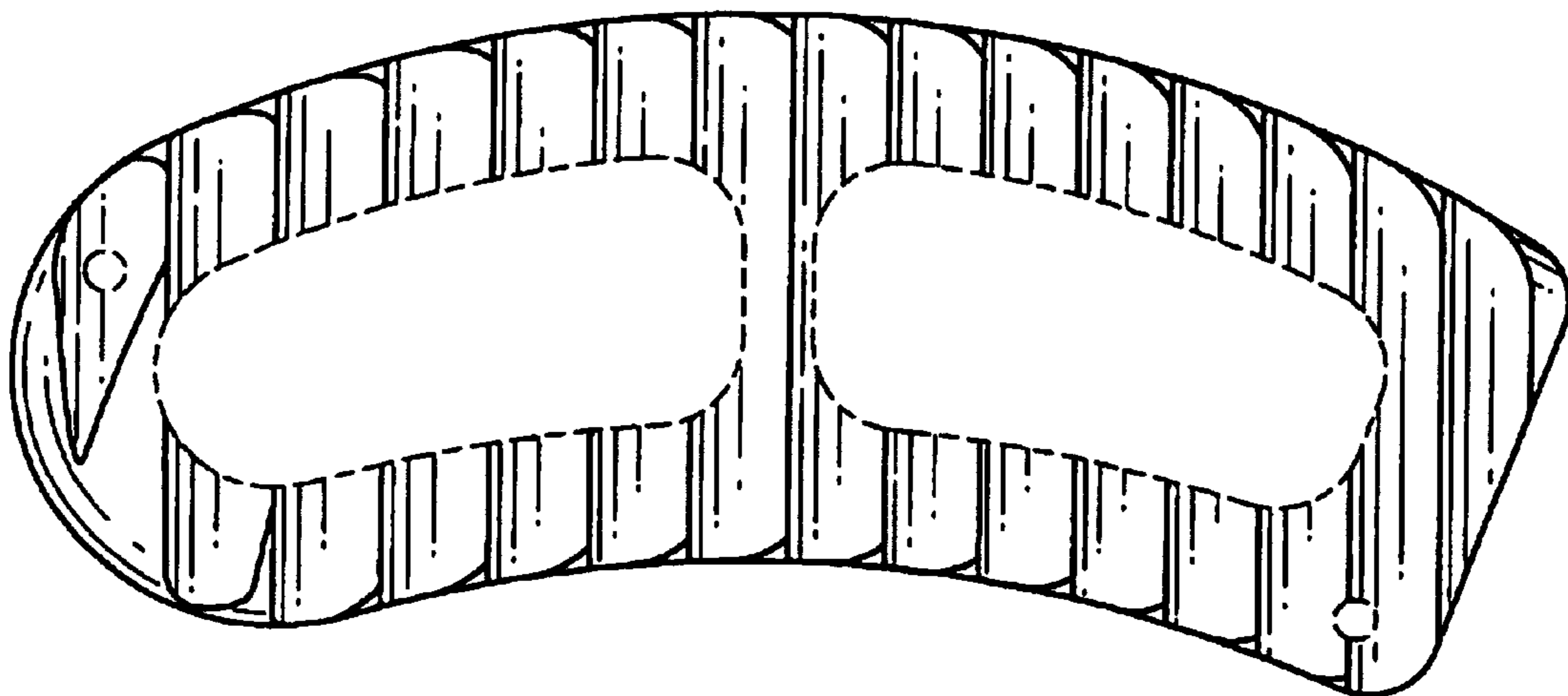
*FIG. 4*



*FIG. 5*



*FIG. 6*



*FIG. 7*