



US00D539931S

(12) **United States Design Patent**
Wickland

(10) **Patent No.:** **US D539,931 S**

(45) **Date of Patent:** **** Apr. 3, 2007**

(54) **WINDOW COMPONENT EXTRUSION**

D405,891 S 2/1999 Oliver
D473,956 S * 4/2003 Westphal et al. D25/124
D496,740 S * 9/2004 Franson D25/124

(75) Inventor: **Timothy T. Wickland**, Rockford, IL
(US)

(73) Assignee: **Mikron Industries, Inc.**, Kent, WA
(US)

(**) Term: **14 Years**

(21) Appl. No.: **29/227,617**

(22) Filed: **Apr. 12, 2005**

(51) **LOC (8) Cl.** **25-01**

(52) **U.S. Cl.** **D25/124**

(58) **Field of Classification Search** D25/119,
D25/124, 125; 52/204.1, 204.2, 204.5, 204.51,
52/656.5, 656.6, 213, 215, 204.71, 204.55,
52/204.593, 204.595, 730.3, 208; 479/DIG. 2,
479/504

See application file for complete search history.

(56) **References Cited**

U.S. PATENT DOCUMENTS

D375,807 S 11/1996 Goss

OTHER PUBLICATIONS

Mikron Part No. 7593, first sold Jan. 3, 1998.

Mikron Part No. 7205, first sold Oct. 13, 1995.

* cited by examiner

Primary Examiner—Doris Clark

(74) *Attorney, Agent, or Firm*—Black Lowe Graham PLLC

(57) **CLAIM**

The ornamental design for a window component extrusion,
as shown and described.

DESCRIPTION

FIG. 1 is a top right perspective view of the window
component extrusion which is broken in the center indicat-
ing indefinite length; and,

FIG. 2 is a bottom left perspective view of the window
compaonent extrusion shown in FIG. 1.

1 Claim, 1 Drawing Sheet

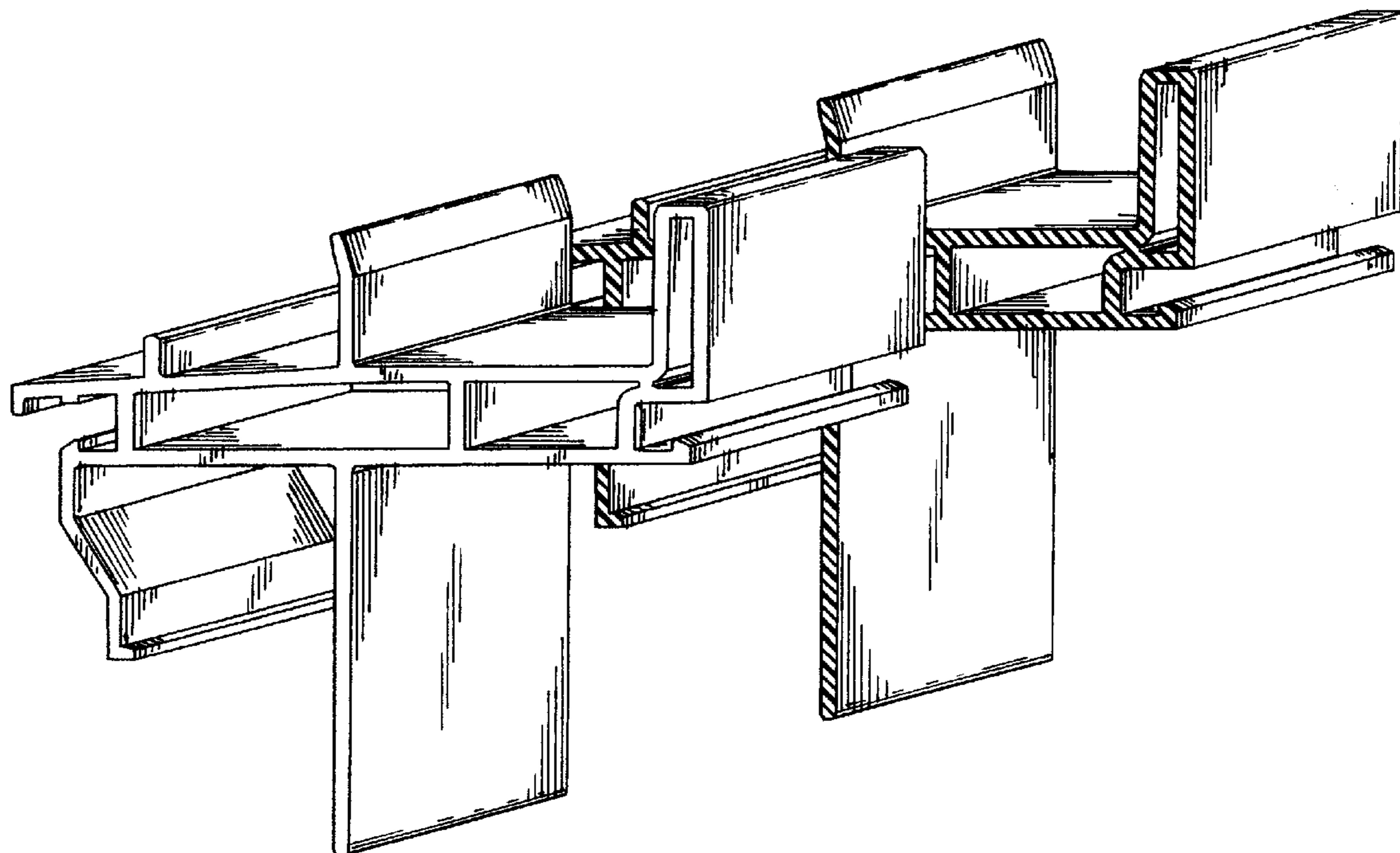


FIG.1

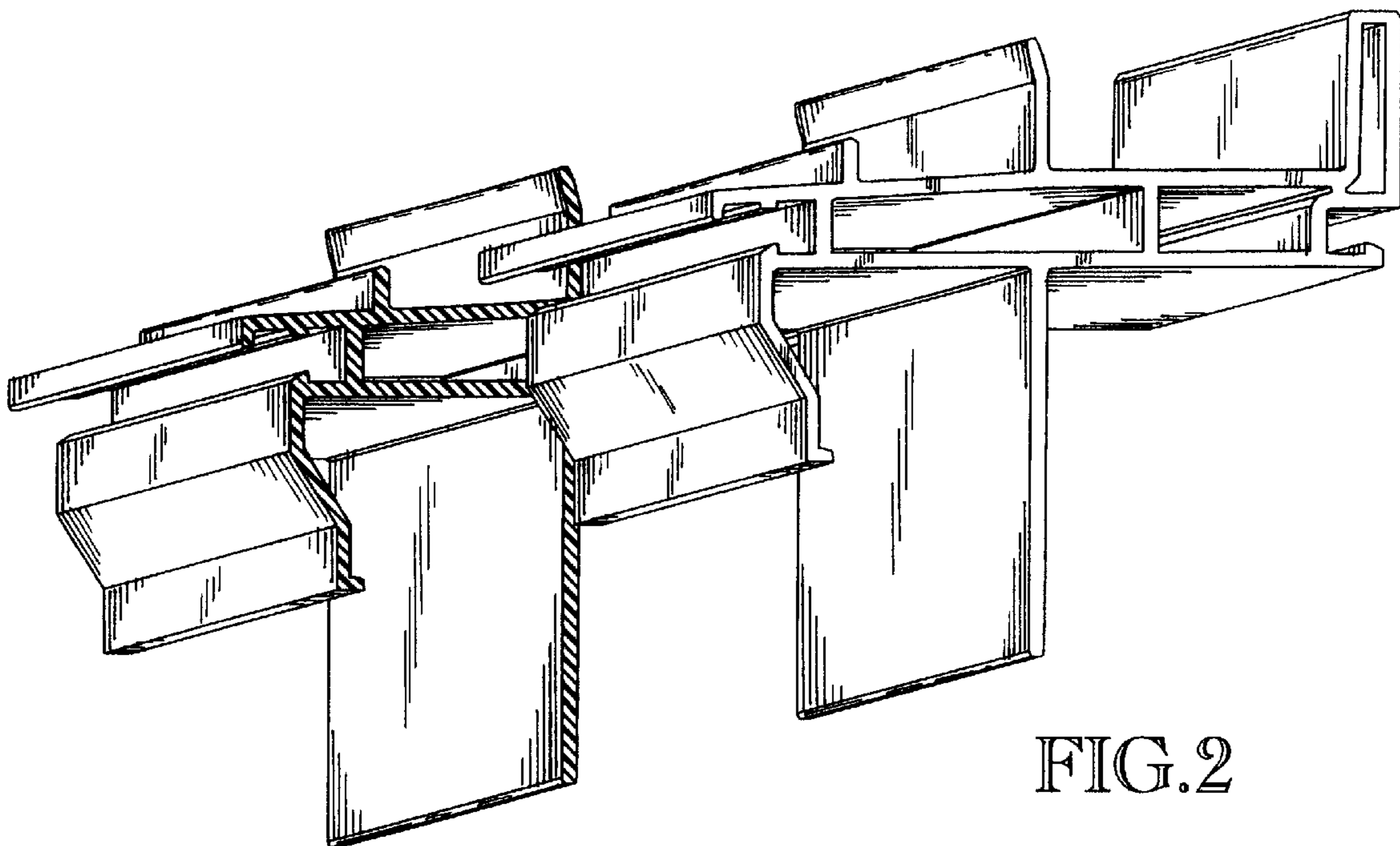
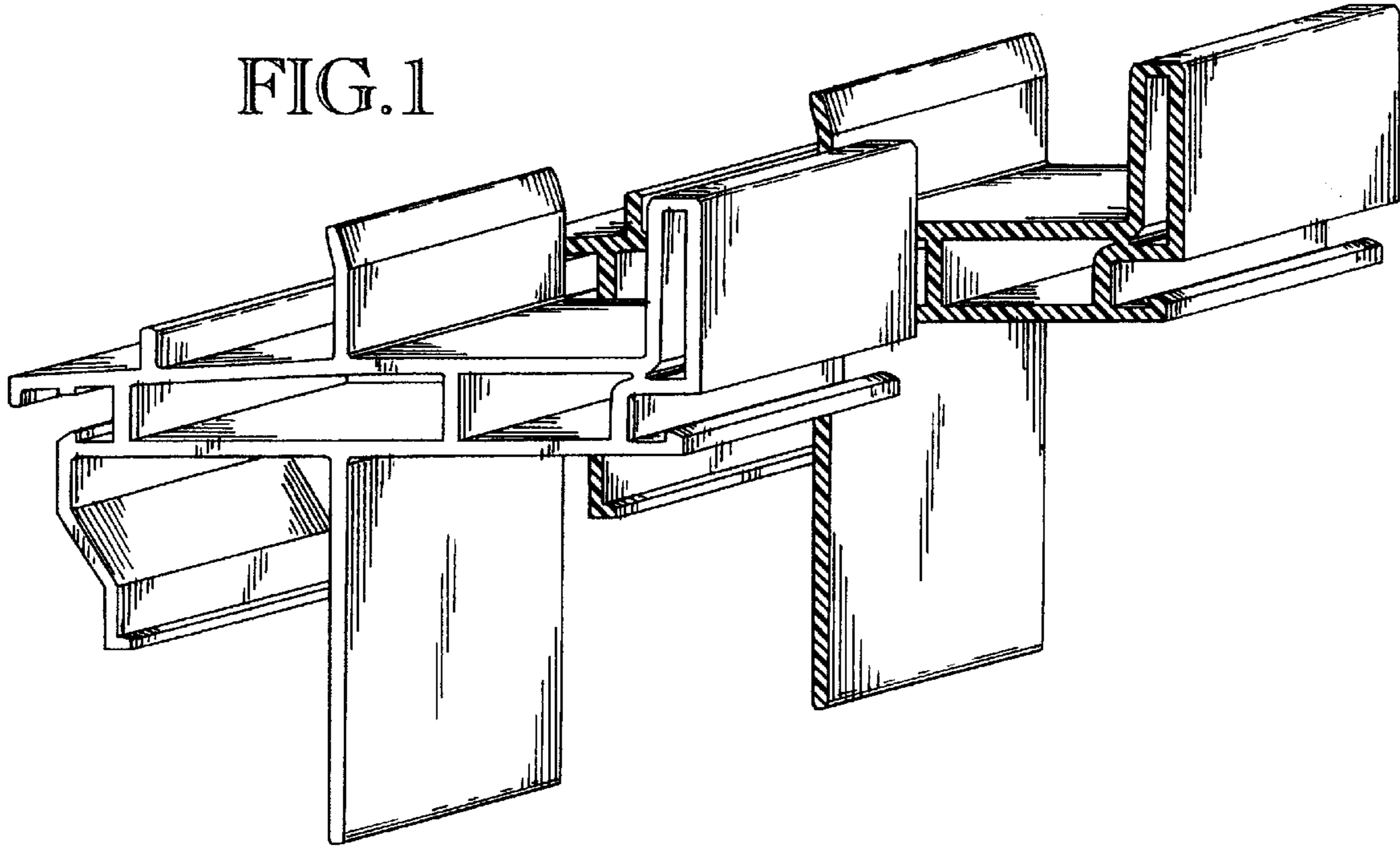


FIG.2