



US00D539929S

(12) **United States Design Patent**
Quigley et al.

(10) **Patent No.:** **US D539,929 S**

(45) **Date of Patent:** **** Apr. 3, 2007**

(54) **CAPSTONE**

D239,529 S * 4/1976 Mead D25/157
D461,010 S * 7/2002 Brito D25/113

(75) Inventors: **Brian Quigley**, Moorpark, CA (US);
Bryan Golden, Ventura, CA (US)

OTHER PUBLICATIONS

(73) Assignee: **Color Cast National, Inc.**, Santa Paula,
CA (US)

Smoot Lumber Company—Guide to Wood Mouldings p.
1/90 SM—Bullnose stop.*

(**) Term: **14 Years**

* cited by examiner

(21) Appl. No.: **29/255,142**

Primary Examiner—Louis S. Zarfaz

Assistant Examiner—Gregory Andoll

(22) Filed: **Mar. 3, 2006**

(74) *Attorney, Agent, or Firm*—Ralph D. Chabot

Related U.S. Application Data

(57) **CLAIM**

(63) Continuation-in-part of application No. 29/238,565, filed on
Sep. 15, 2005.

The ornamental design for a capstone, as shown and
described.

(51) **LOC (8) Cl.** **25-01**

DESCRIPTION

(52) **U.S. Cl.** **D25/113**

(58) **Field of Classification Search** D25/112–118;
D21/484–490, 499–502; 405/15–16, 33,
405/35, 284–286; 404/29–42; 52/503, 504,
52/575, 596–599, 603–605, 608, 612
See application file for complete search history.

FIG. 1 is a perspective view (top, front, right side);

FIG. 2 is a front elevation view;

FIG. 3 is a rear elevation view;

FIG. 4 is a left side elevation view; the right side elevation
view being a mirror image;

FIG. 5 is a top plan view;

FIG. 6 is a bottom plan view;

FIG. 7 is a perspective view (bottom, front, left side);

FIG. 8 is a cross-section view along line 8—8 of FIG. 6; and,

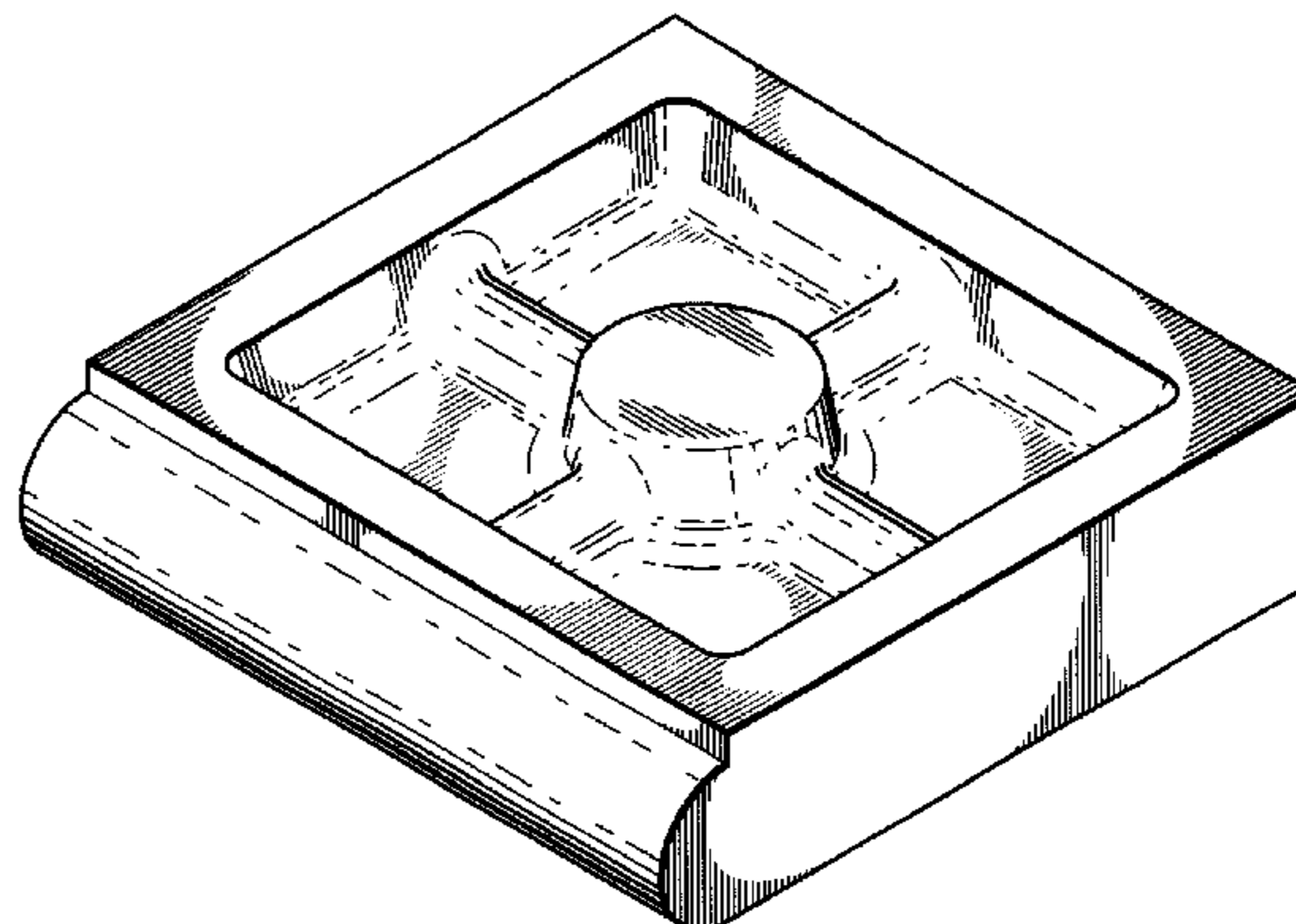
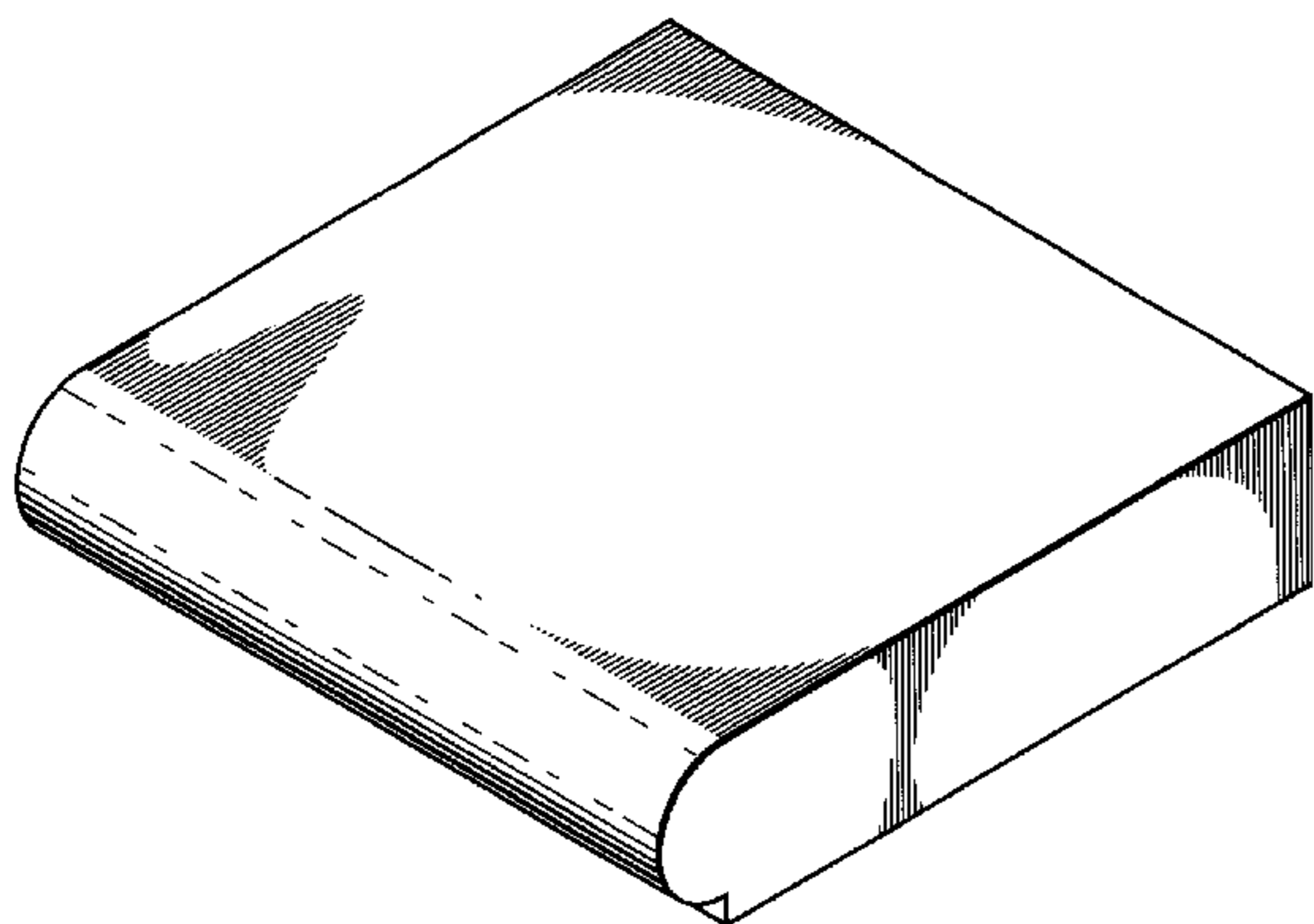
FIG. 9 is a cross-section view along line 9—9 of FIG. 6.

(56) **References Cited**

U.S. PATENT DOCUMENTS

3,298,038 A * 1/1967 O'Connell et al. 52/300

1 Claim, 3 Drawing Sheets



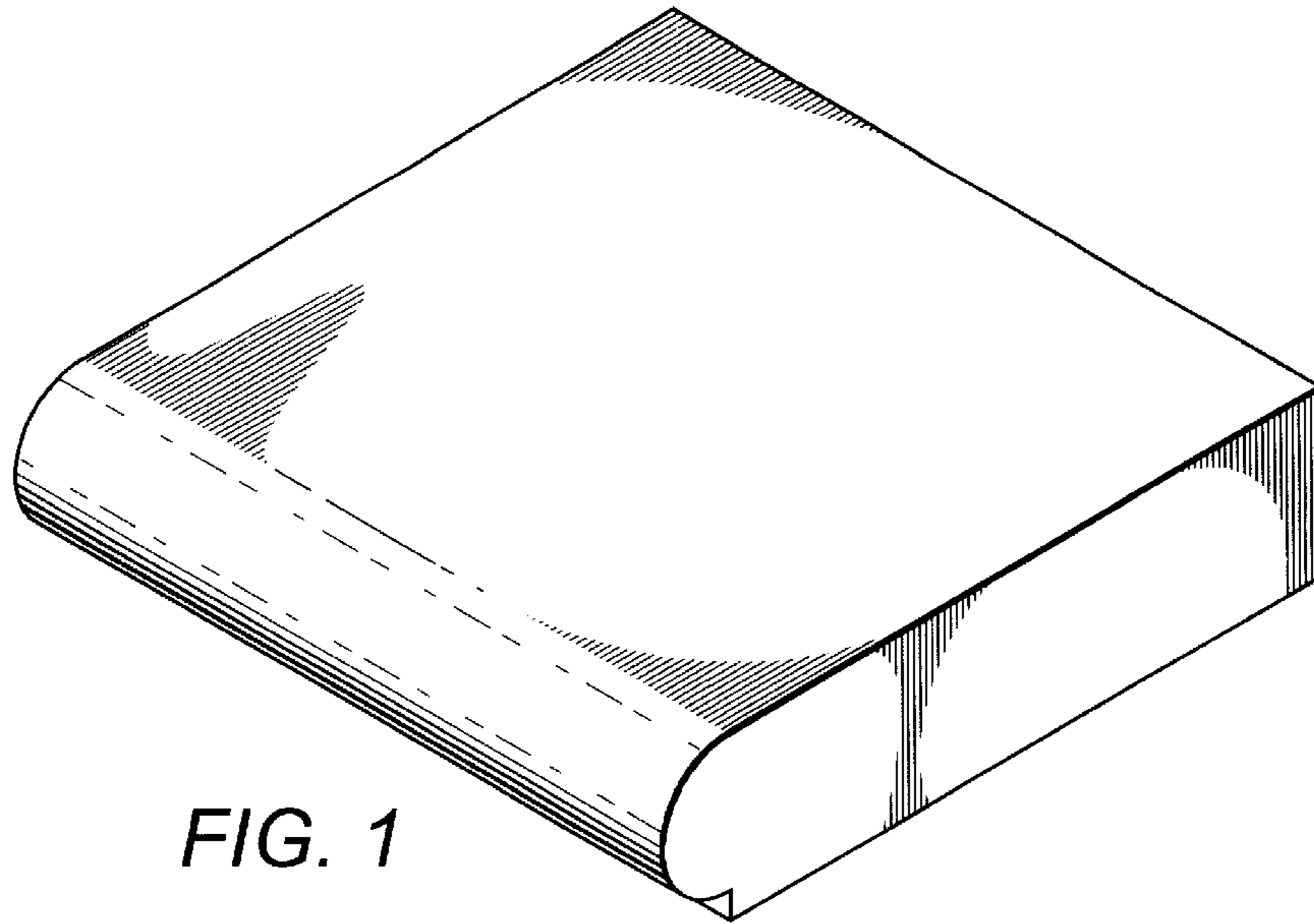


FIG. 1

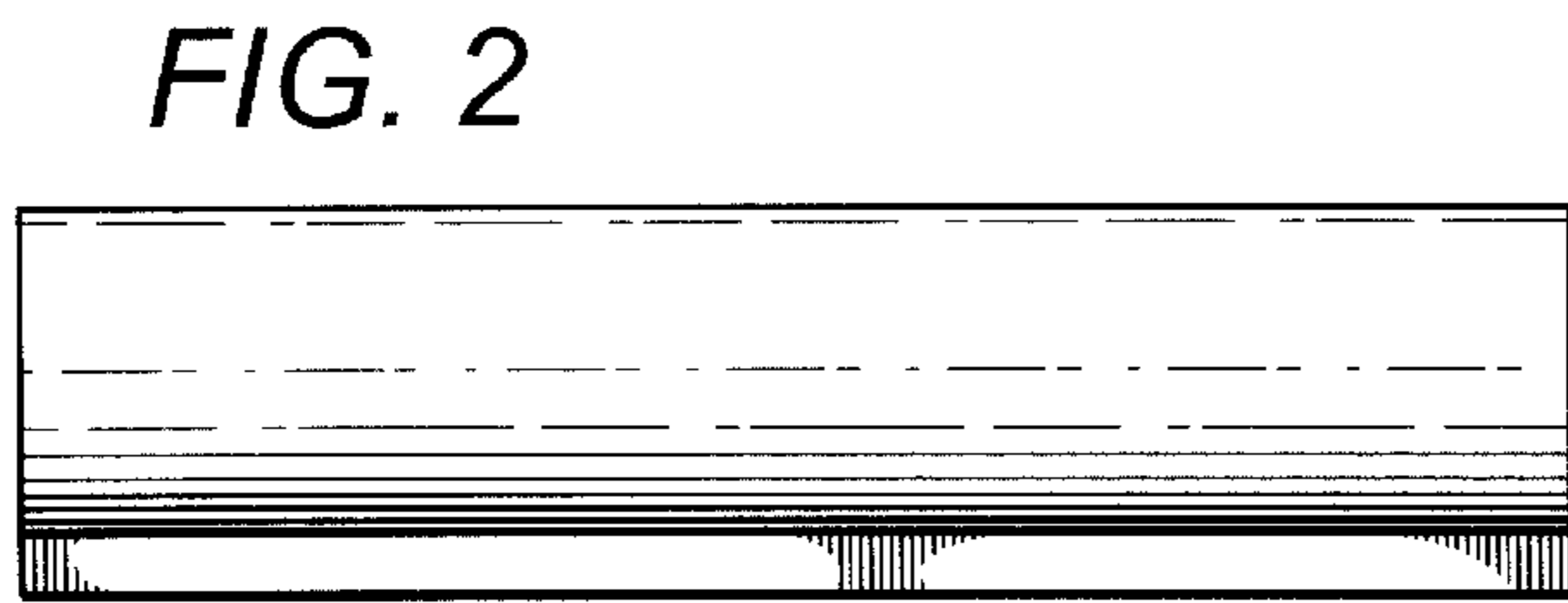


FIG. 2

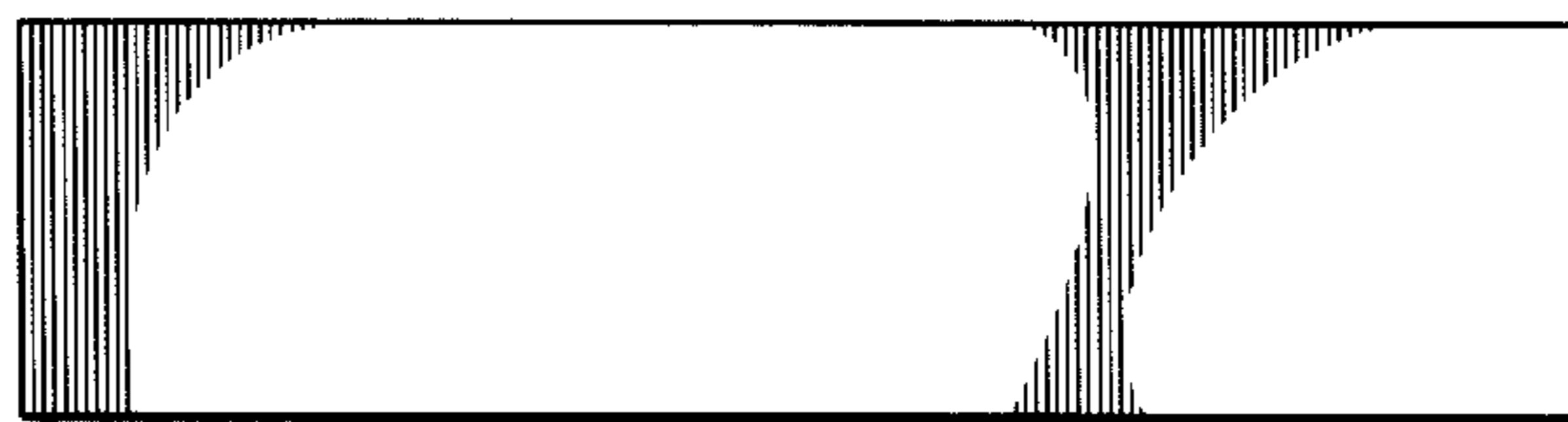


FIG. 3

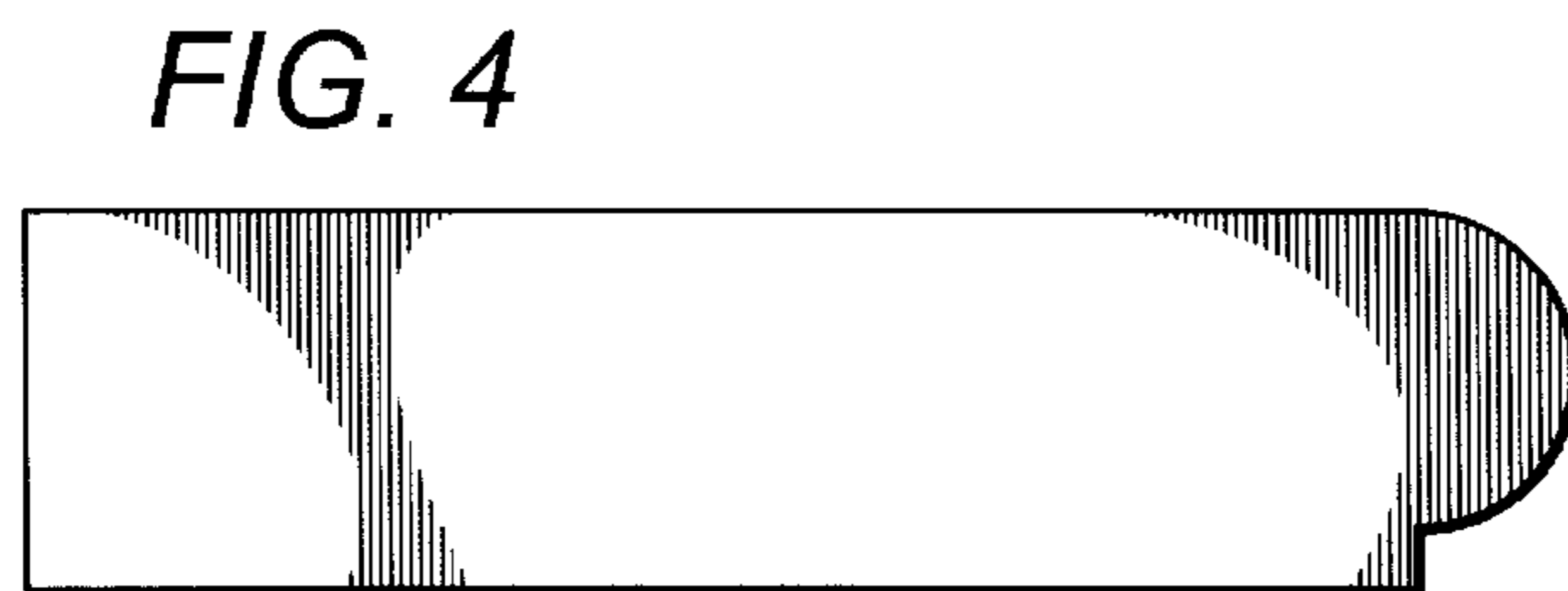


FIG. 4

FIG. 5

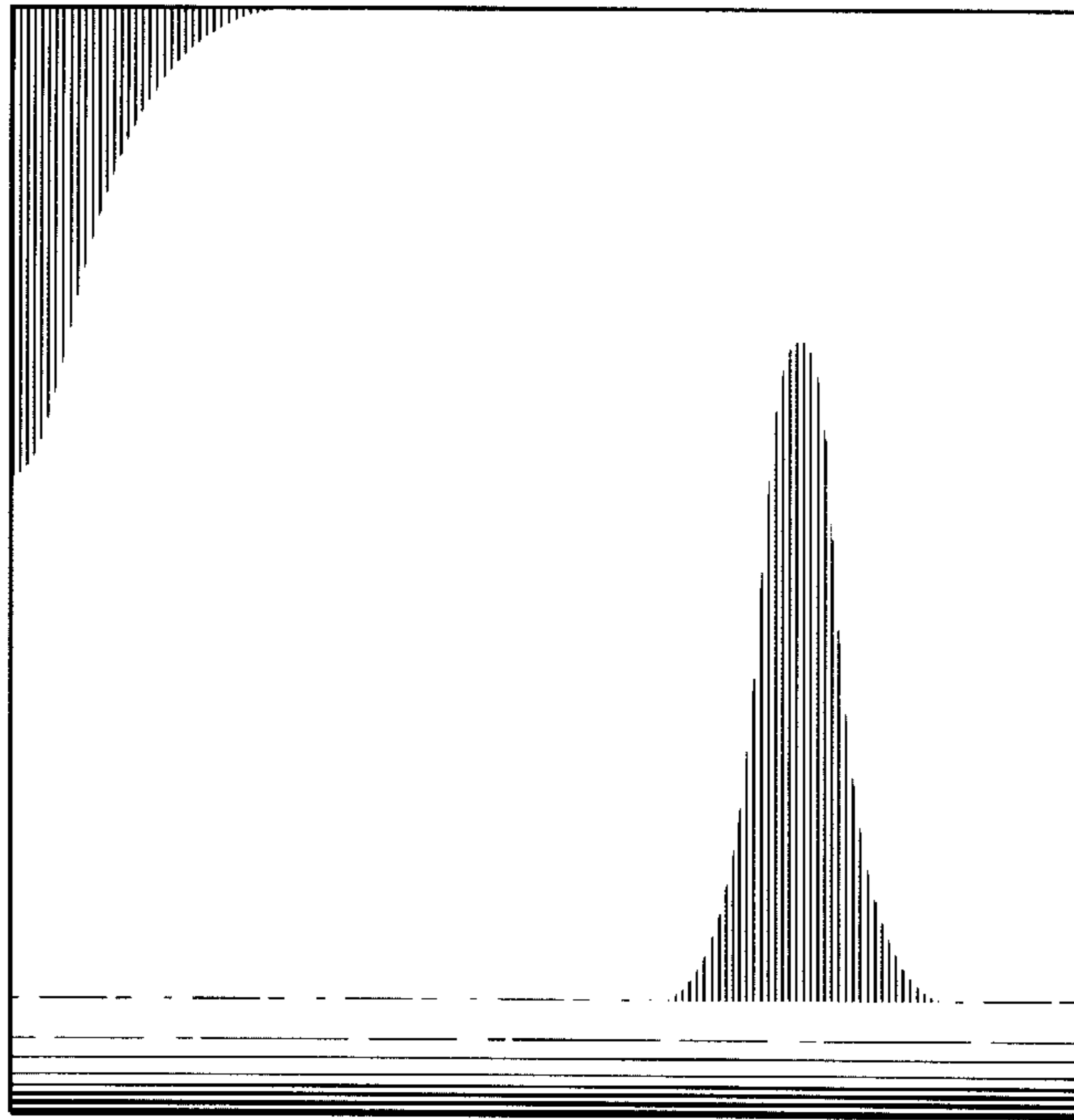
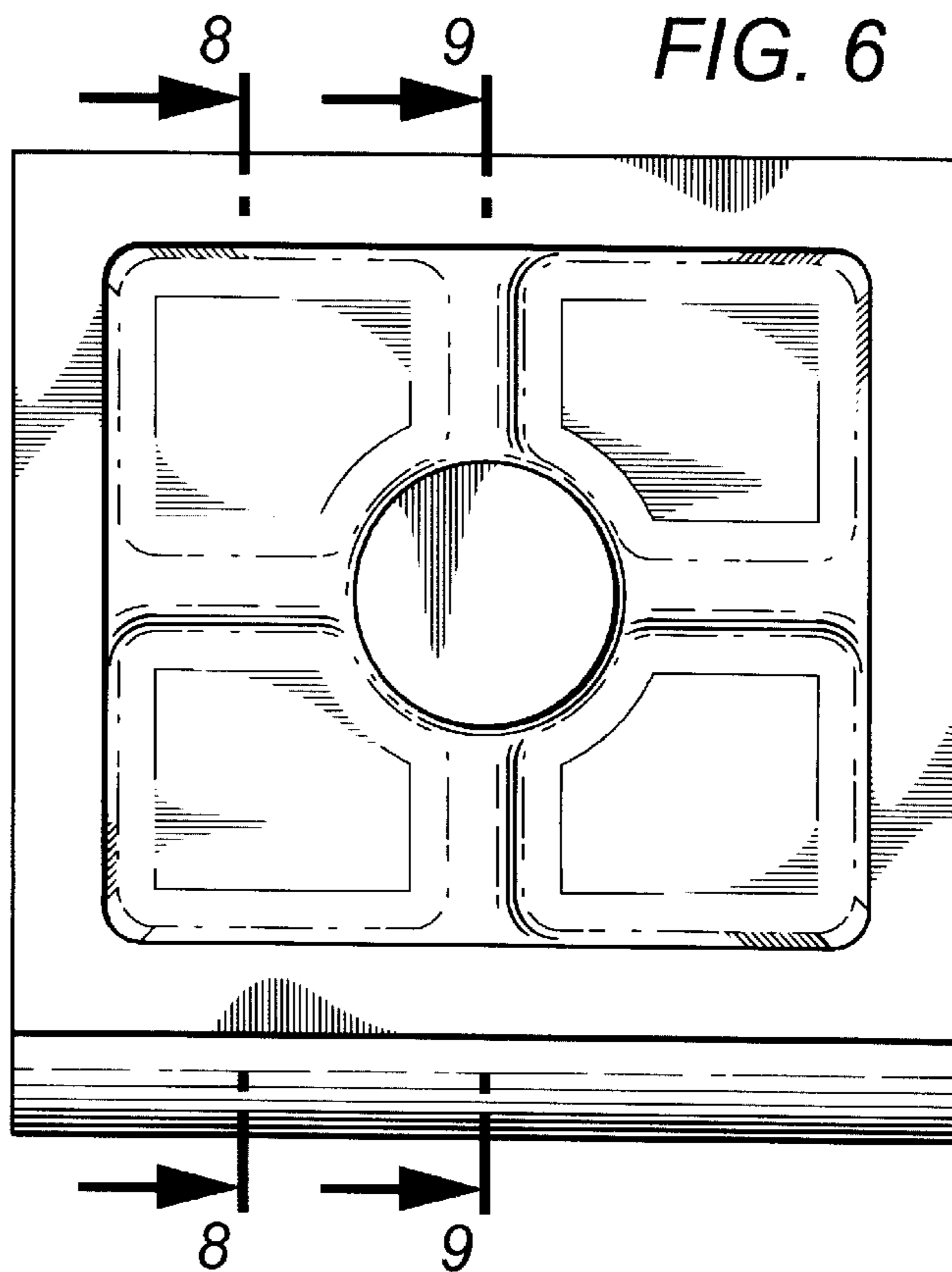


FIG. 6



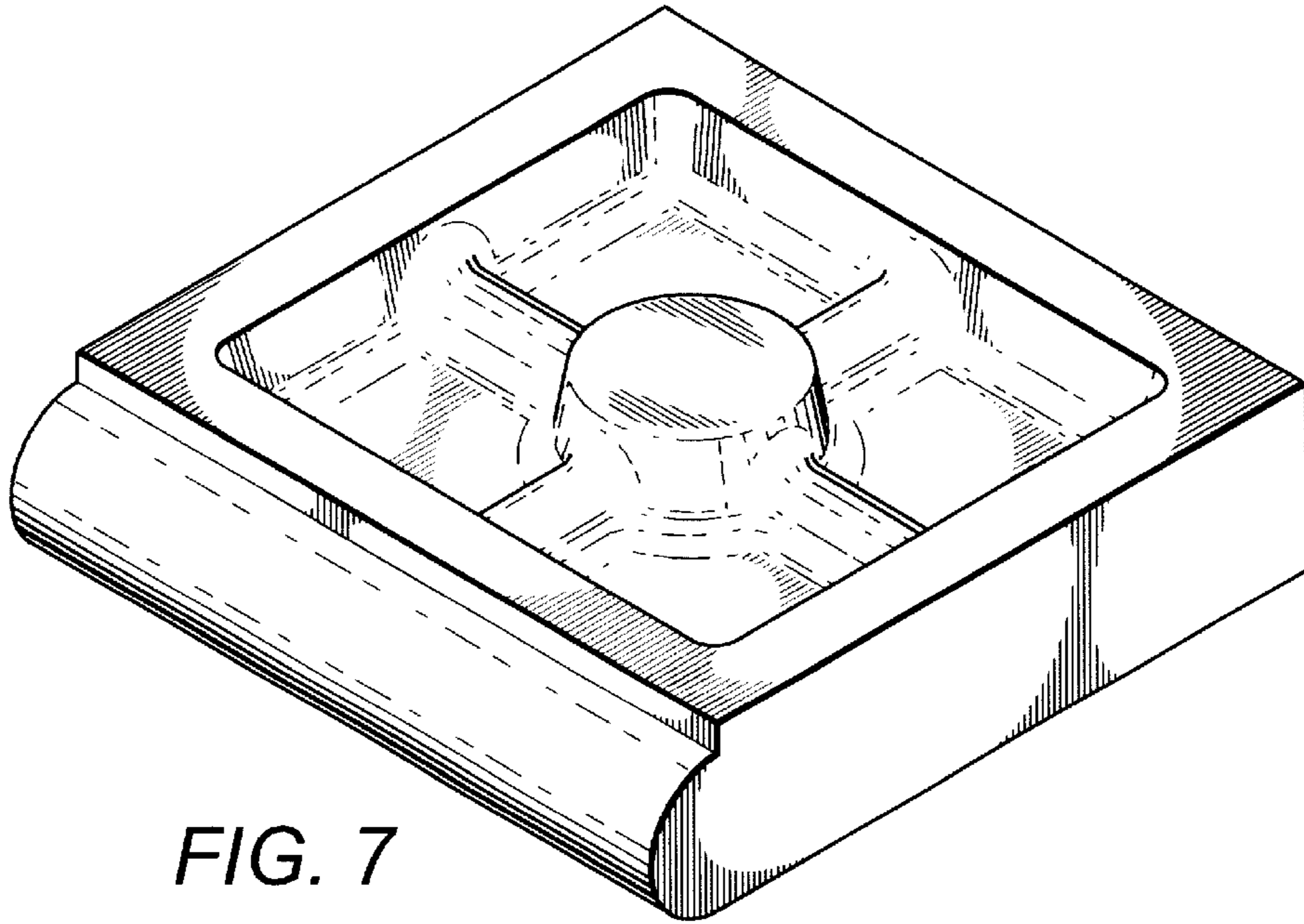


FIG. 7

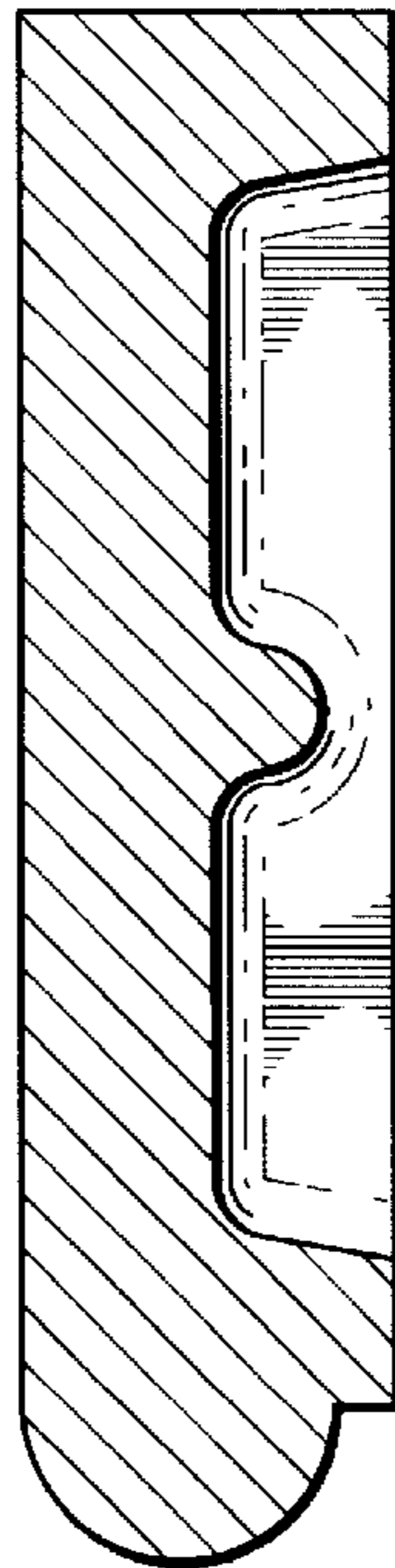


FIG. 8

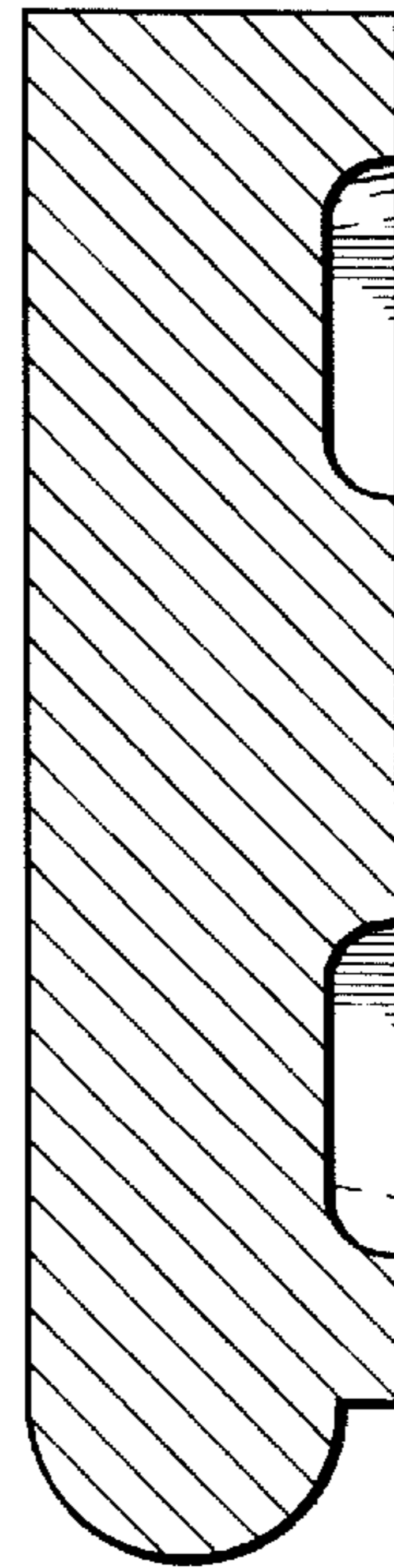


FIG. 9