



US00D539928S

(12) **United States Design Patent** (10) **Patent No.:** **US D539,928 S**  
**Schmidt** (45) **Date of Patent:** **\*\* Apr. 3, 2007**

(54) **INDIVIDUAL THIN BRICK**  
(75) Inventor: **C. James Schmidt**, De Pere, WI (US)  
(73) Assignee: **Bayland, LLC**, De Pere, WI (US)  
(\*\*) Term: **14 Years**  
(21) Appl. No.: **29/254,150**  
(22) Filed: **Feb. 17, 2006**  
(51) **LOC (8) Cl.** ..... **25-01**  
(52) **U.S. Cl.** ..... **D25/113**  
(58) **Field of Classification Search** ..... D25/102,  
D25/113–118, 138, 151–163; D21/484–489,  
D21/491–492; 52/510, 314, 591.1, 309.12,  
52/589.1, 596, 570, 571, 598, 612  
See application file for complete search history.

5,863,477 A 1/1999 Kawai  
D412,757 S \* 8/1999 Wolfrum ..... D25/138  
6,030,447 A 2/2000 Naji et al.  
6,186,469 B1 2/2001 Scott  
6,247,286 B1 \* 6/2001 Heyns ..... 52/589.1  
6,413,616 B1 7/2002 Mizuno  
6,565,919 B1 5/2003 Hansson et al.  
6,692,669 B2 2/2004 Mischo  
6,824,826 B1 11/2004 Amadelli et al.  
6,872,246 B2 3/2005 Merkley et al.  
6,875,266 B1 4/2005 Naji et al.

\* cited by examiner

*Primary Examiner*—Louis S. Zarfaz  
*Assistant Examiner*—Gregory Andoll  
(74) *Attorney, Agent, or Firm*—Andrus, Scales, Starke &  
Sawall, LLP

(56) **References Cited**  
**U.S. PATENT DOCUMENTS**

382,740 A 5/1888 Straub  
916,409 A 3/1909 Begle  
1,259,502 A 3/1918 Farr  
1,314,772 A 9/1919 Viens  
1,604,968 A \* 11/1926 Burris ..... 52/510  
1,608,562 A 11/1926 Melandri  
2,139,620 A \* 12/1938 Kirschbraun ..... 52/314  
2,517,993 A 8/1950 Falco  
3,232,777 A 2/1966 Bush  
3,438,853 A 4/1969 Haines et al.  
3,645,961 A 2/1972 Goldfein  
3,716,386 A 2/1973 Kempster  
3,753,749 A 8/1973 Nutt  
3,827,895 A 8/1974 Copeland  
3,841,885 A 10/1974 Jakel  
3,852,082 A 12/1974 Majumdar  
3,987,599 A \* 10/1976 Hines ..... 52/591.1  
D250,898 S \* 1/1979 Schuring ..... D25/113  
4,229,225 A 10/1980 Kraszewski et al.  
4,363,666 A 12/1982 Johnson et al.  
4,608,795 A \* 9/1986 Neuschaeffer et al. ... 52/309.12  
4,637,860 A 1/1987 Harper et al.  
4,985,119 A 1/1991 Vinson et al.  
5,288,772 A 2/1994 Hon  
5,526,630 A 6/1996 Francis et al.  
5,737,230 A 4/1998 Robinson, Jr.

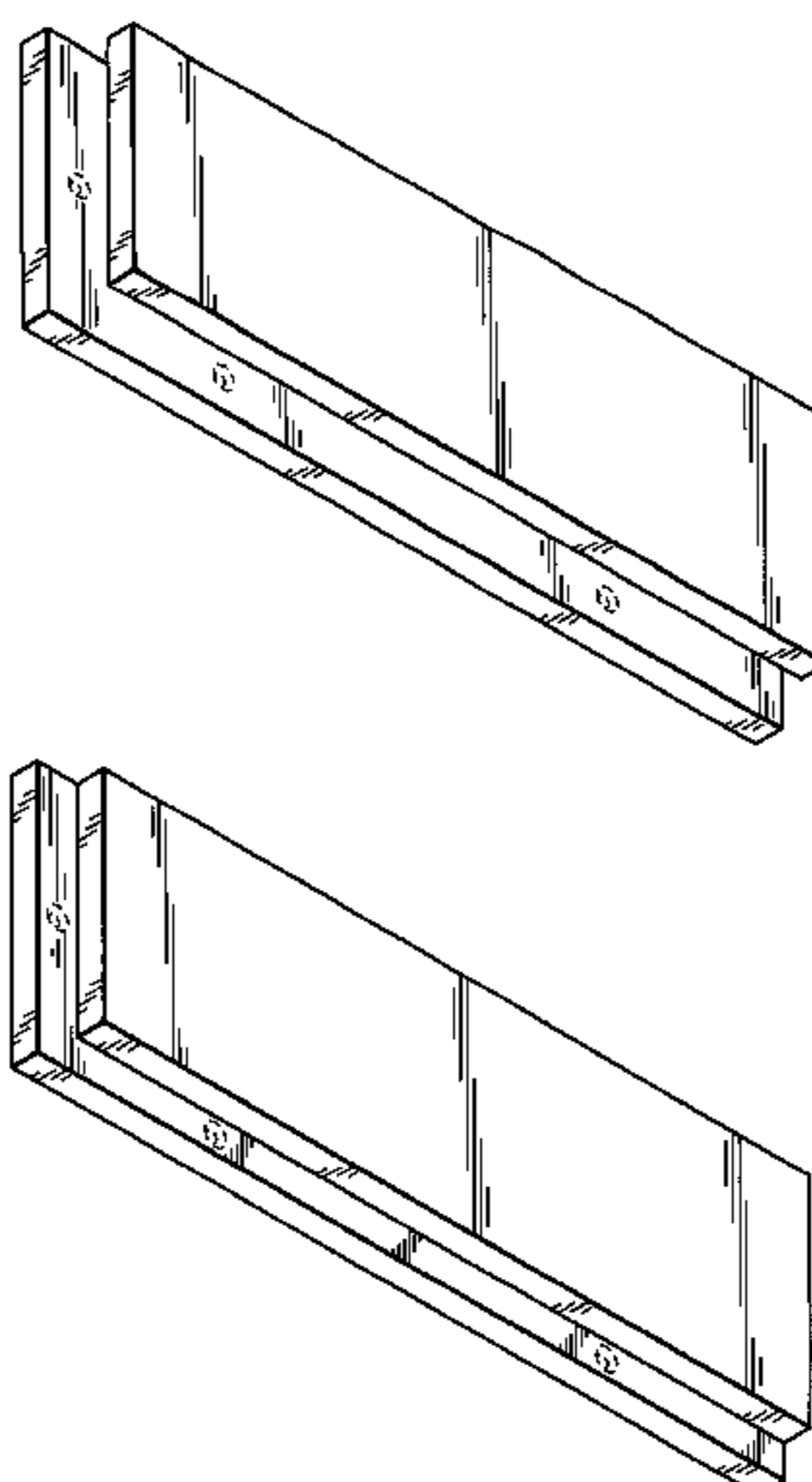
(57) **CLAIM**

The ornamental design for an individual thin brick, as shown and described.

**DESCRIPTION**

FIG. 1 is a perspective view of a first embodiment of an individual thin brick showing my new design;  
FIG. 2 is a front elevational view of the first embodiment of the claimed individual thin brick;  
FIG. 3 is a bottom elevational view of FIG. 2;  
FIG. 4 is a left side elevational view of FIG. 2;  
FIG. 5 is a right side elevational view of FIG. 2;  
FIG. 6 is a rear elevational view of FIG. 2;  
FIG. 7 is a top elevational view of FIG. 6;  
FIG. 8 is a perspective view of a second embodiment of an individual thin brick showing my new design;  
FIG. 9 is a front elevational view of the second embodiment of the claimed individual thin brick;  
FIG. 10 is a bottom elevational view of FIG. 9;  
FIG. 11 is a left side elevational view of FIG. 9;  
FIG. 12 is a right side elevational view of FIG. 9;  
FIG. 13 is a rear elevational view of FIG. 9; and,  
FIG. 14 is a top elevational view of FIG. 9.  
The broken lines in the Figures are for illustrative purposes only and form no part of the claimed design.

**1 Claim, 4 Drawing Sheets**



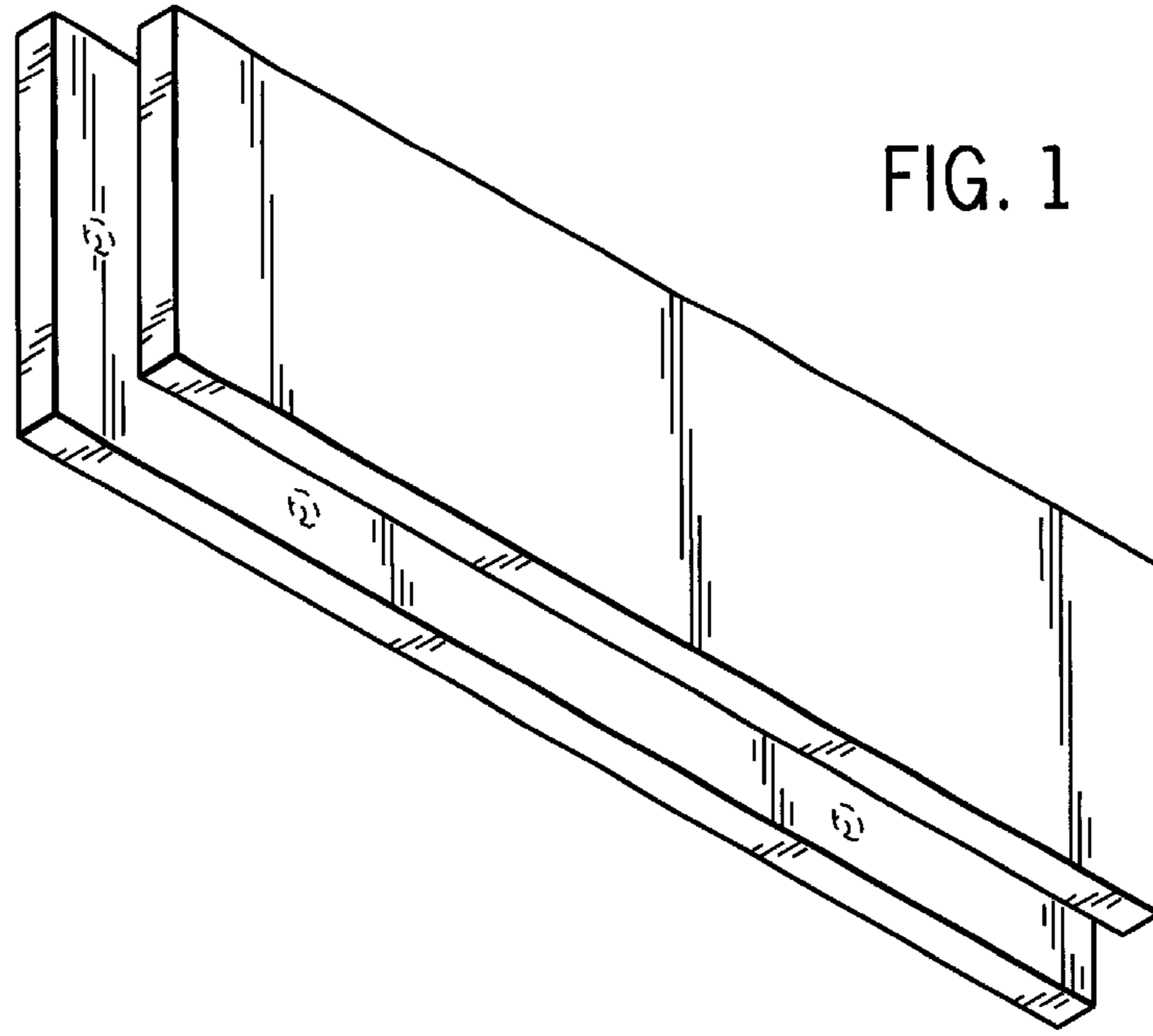


FIG. 1

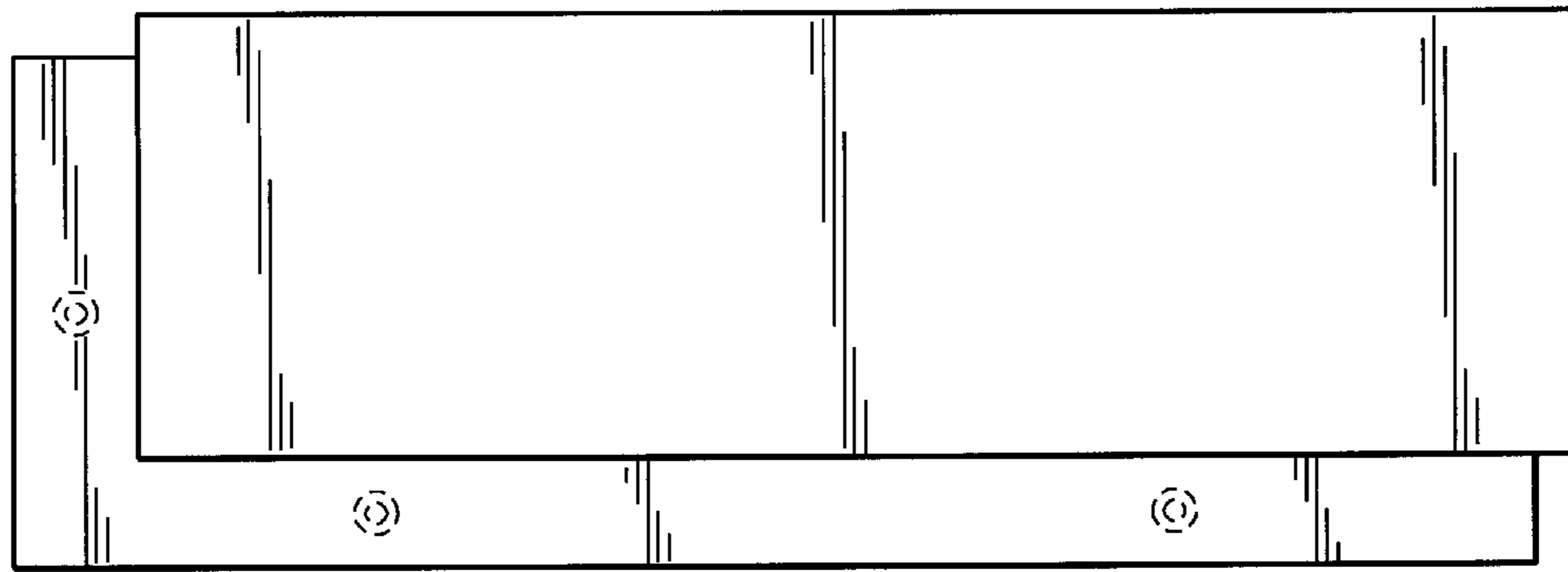


FIG. 2

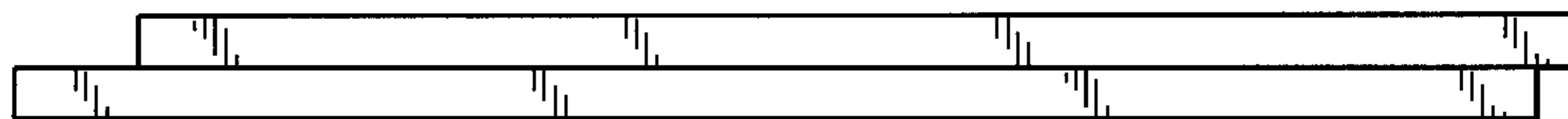


FIG. 3

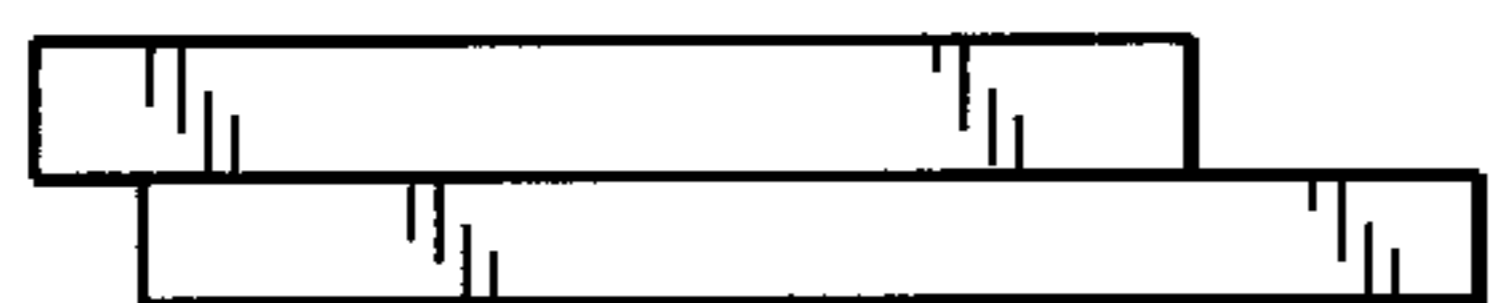


FIG. 4



FIG. 5

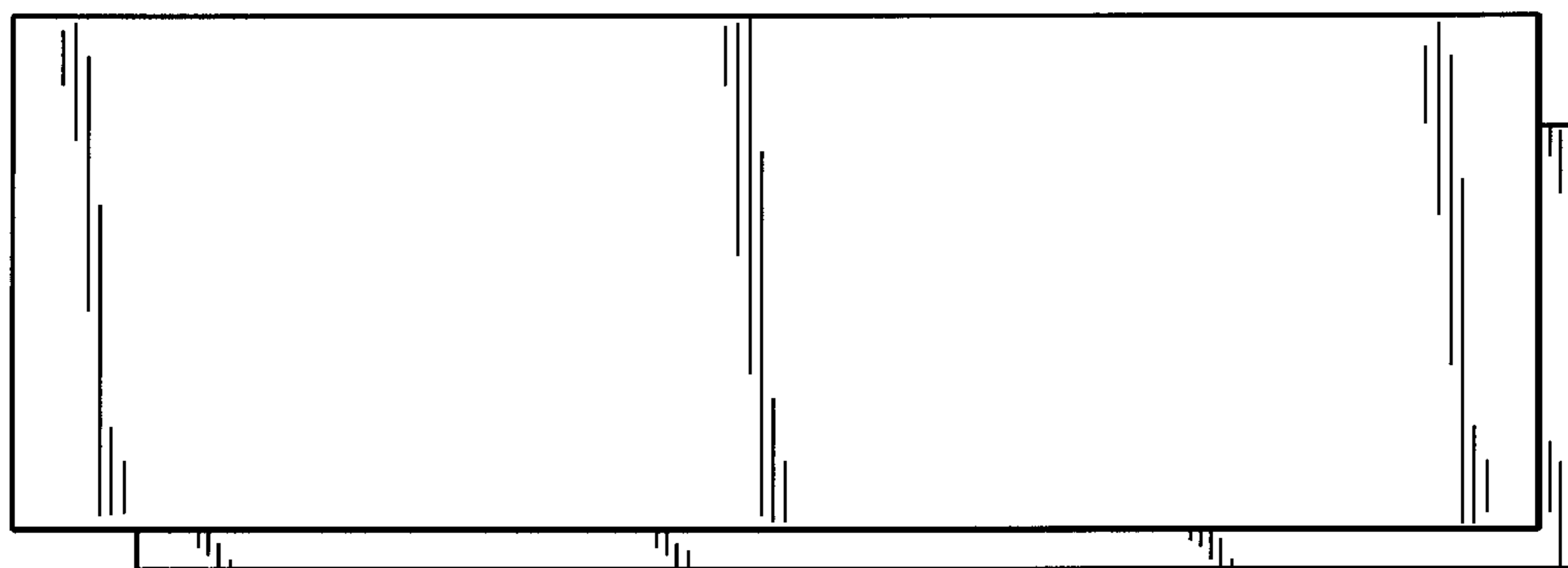


FIG. 6

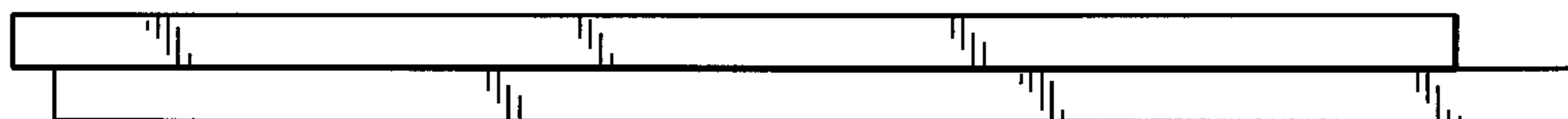


FIG. 7

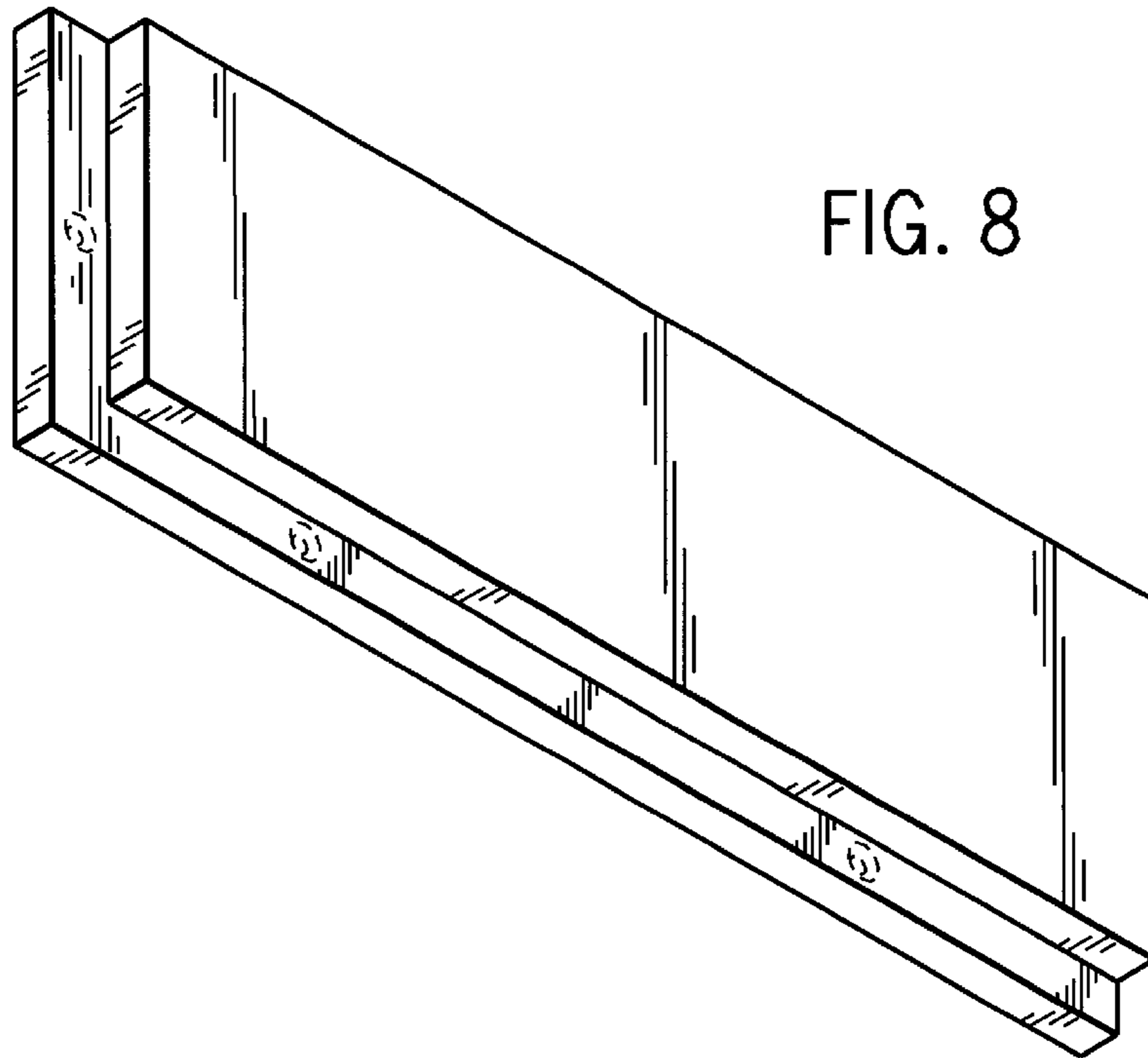


FIG. 8

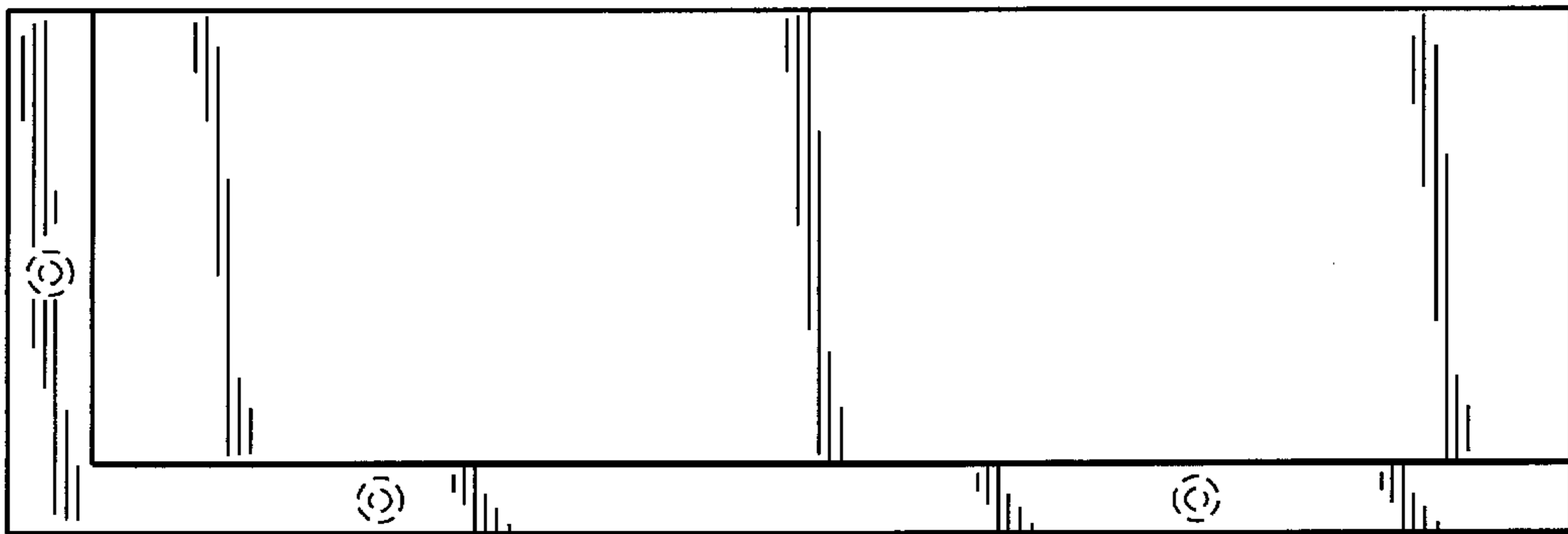


FIG. 9

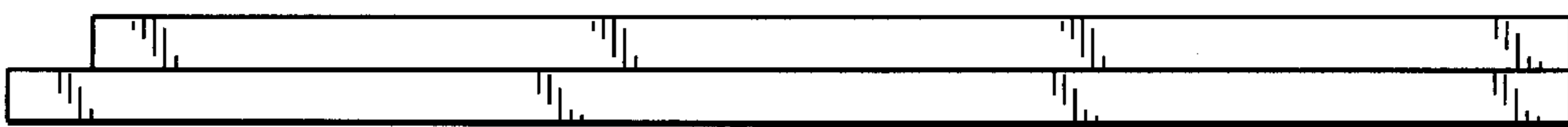


FIG. 10



FIG. 11

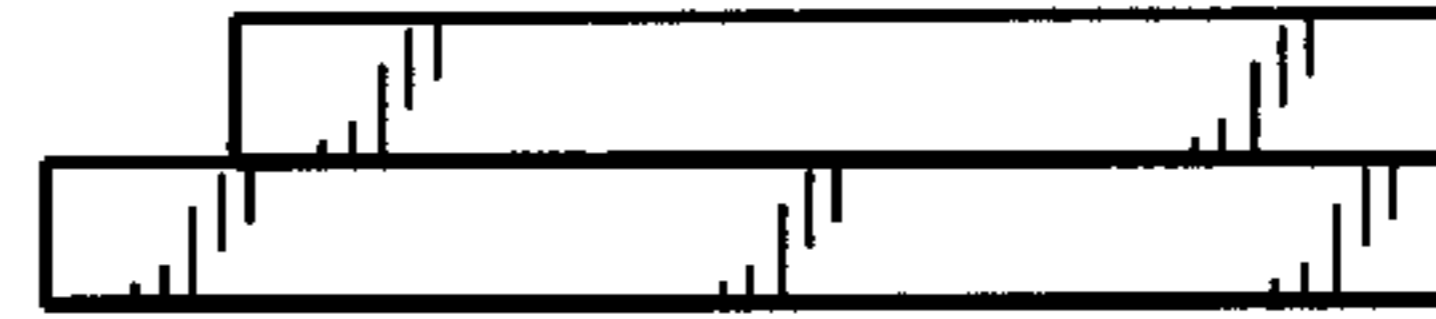


FIG. 12

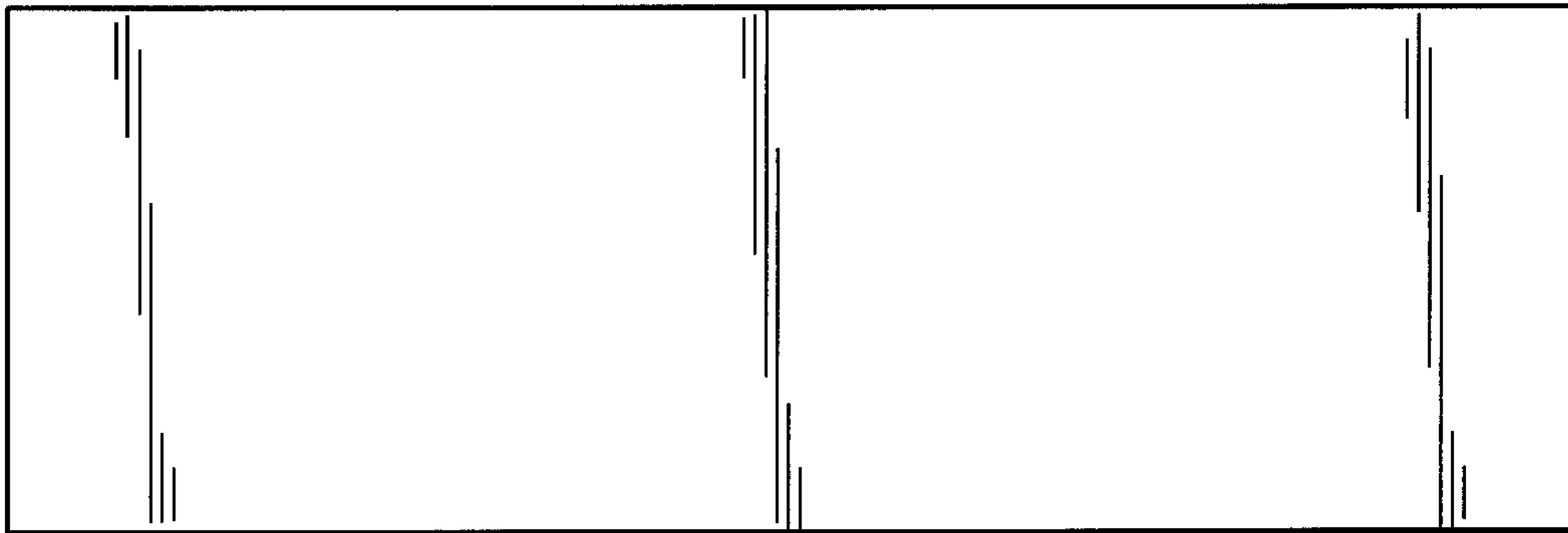


FIG. 13

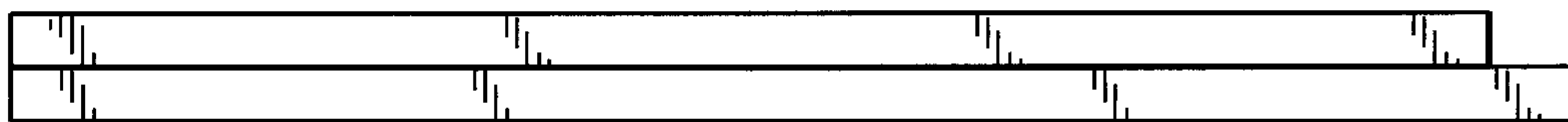


FIG. 14