



US00D539927S

(12) **United States Design Patent**
Whitson

(10) **Patent No.:** **US D539,927 S**

(45) **Date of Patent:** **** Apr. 3, 2007**

(54) **ARTIFICIAL CURBSTONE**

D488,568 S * 4/2004 MacDonald D25/113
D491,675 S * 6/2004 Ogawa et al. D25/113

(75) **Inventor:** **Bob Whitson**, West Bend, WI (US)

* cited by examiner

(73) **Assignee:** **Oldcastle Building Products Canada Inc.**, Saint-John (CA)

Primary Examiner—Louis S. Zarfes

Assistant Examiner—Gregory Andoll

(**) **Term:** **14 Years**

(74) *Attorney, Agent, or Firm*—Kilpatrick Stockton, LLP;
Camilla C. Williams

(21) **Appl. No.:** **29/253,826**

(57) **CLAIM**

(22) **Filed:** **Feb. 13, 2006**

The ornamental design for artificial curbstone, as shown and described.

(51) **LOC (8) Cl.** **25-01**

(52) **U.S. Cl.** **D25/113**

(58) **Field of Classification Search** D25/112–118;
D21/484–490, 499–502; 405/15–16, 33,
405/35, 284–286, 29–42; 52/503, 504, 575,
52/596–599, 603–605, 608, 612

See application file for complete search history.

DESCRIPTION

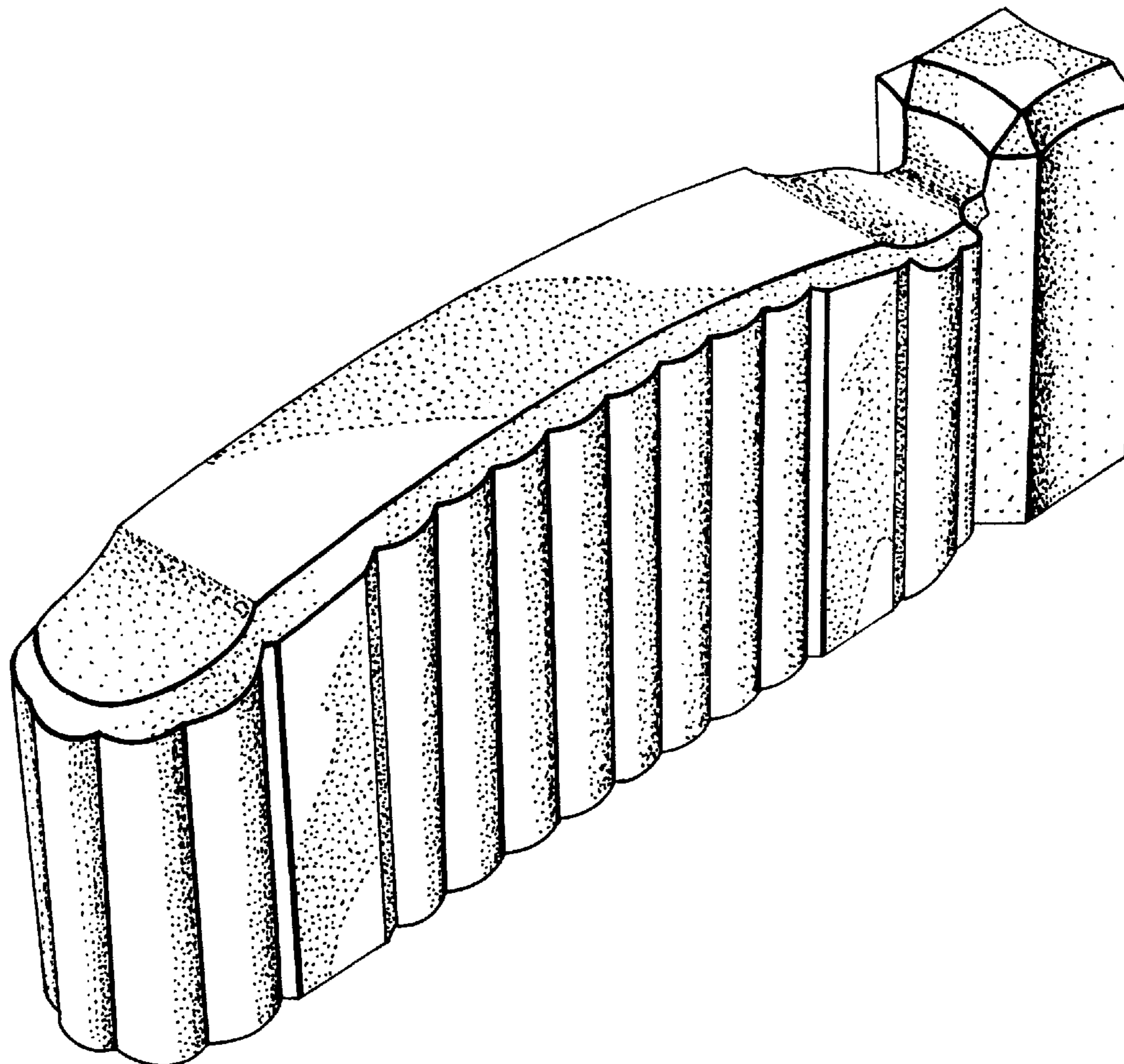
FIG. 1 is a perspective view of the curbstone;
FIG. 2 is a left-hand side view of the curbstone;
FIG. 3 is a right-hand side view of the curbstone;
FIG. 4 is a front view of the curbstone;
FIG. 5 is a rear view of the curbstone;
FIG. 6 is a top view of the curbstone; and,
FIG. 7 is a bottom view of curbstone.

(56) **References Cited**

U.S. PATENT DOCUMENTS

D479,341 S * 9/2003 Scullion et al. D25/113

1 Claim, 5 Drawing Sheets



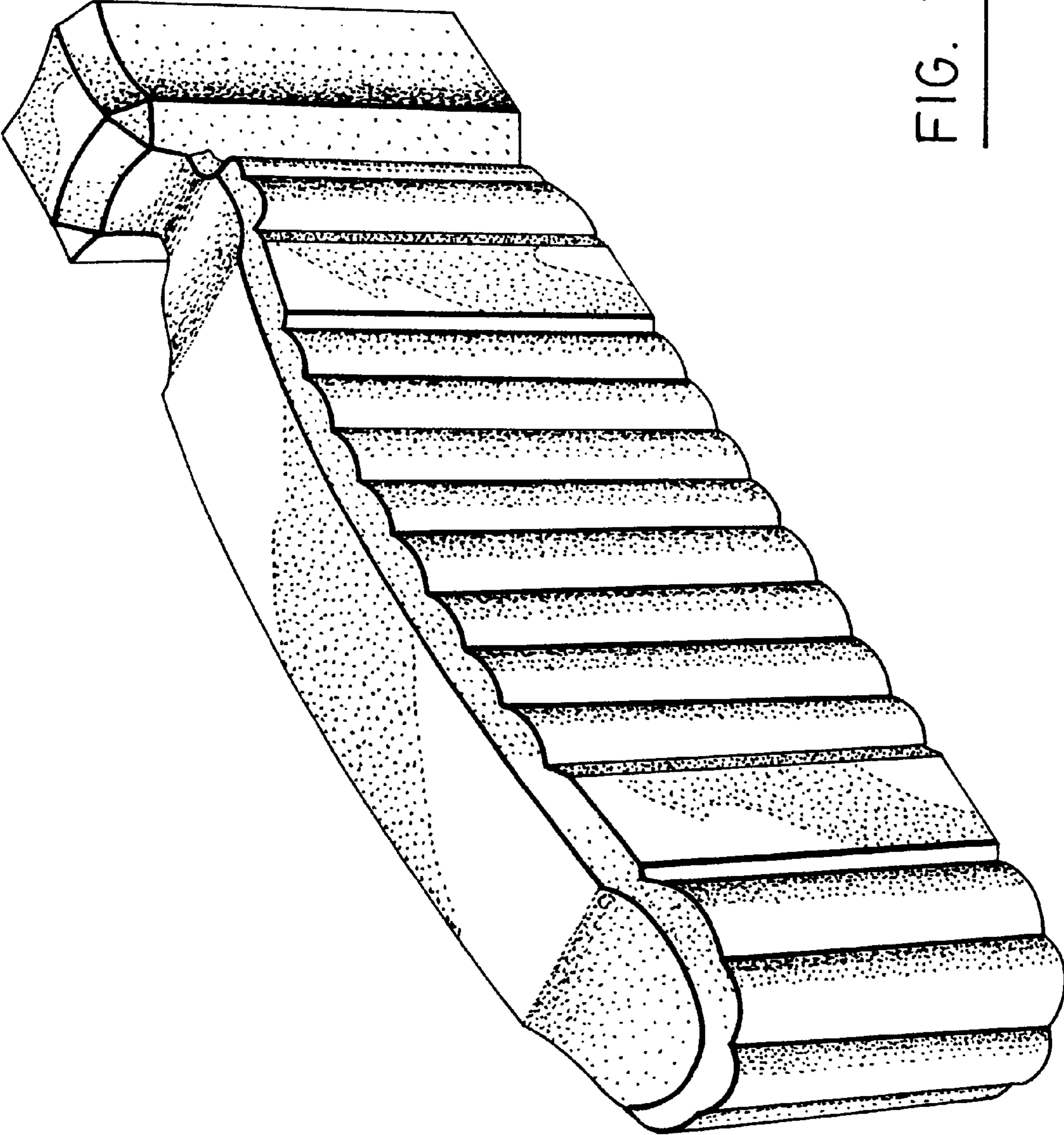


FIG. 1

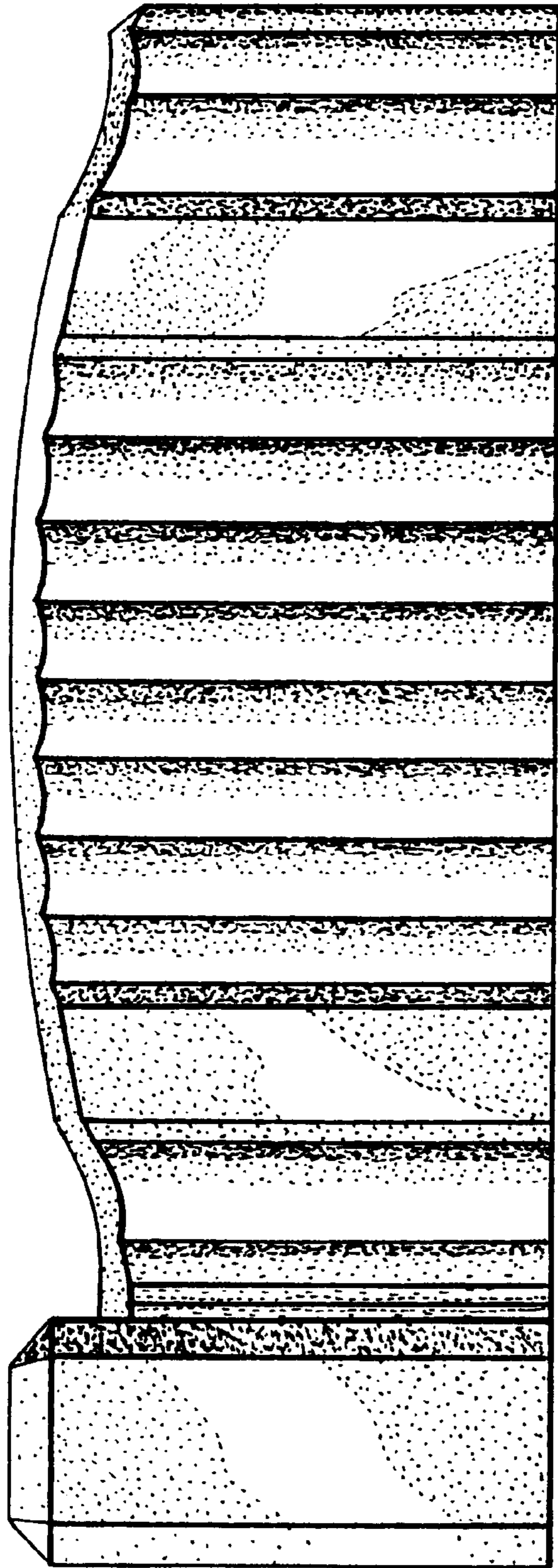


FIG. 2

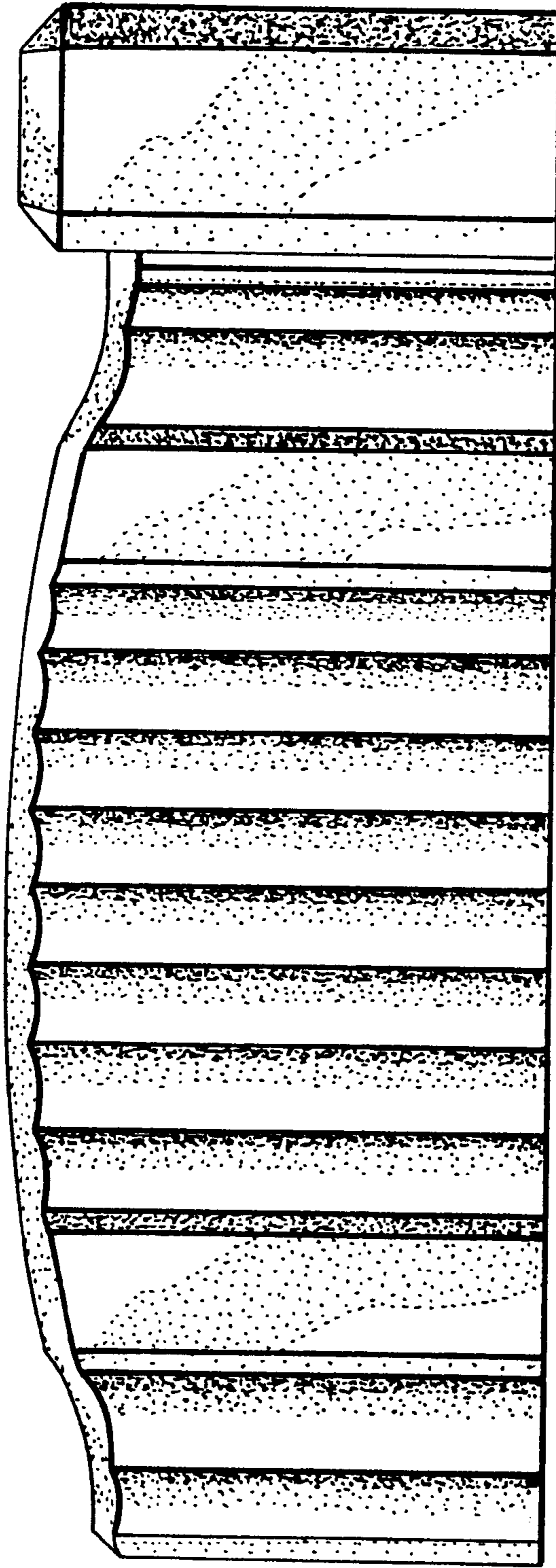


FIG. 3

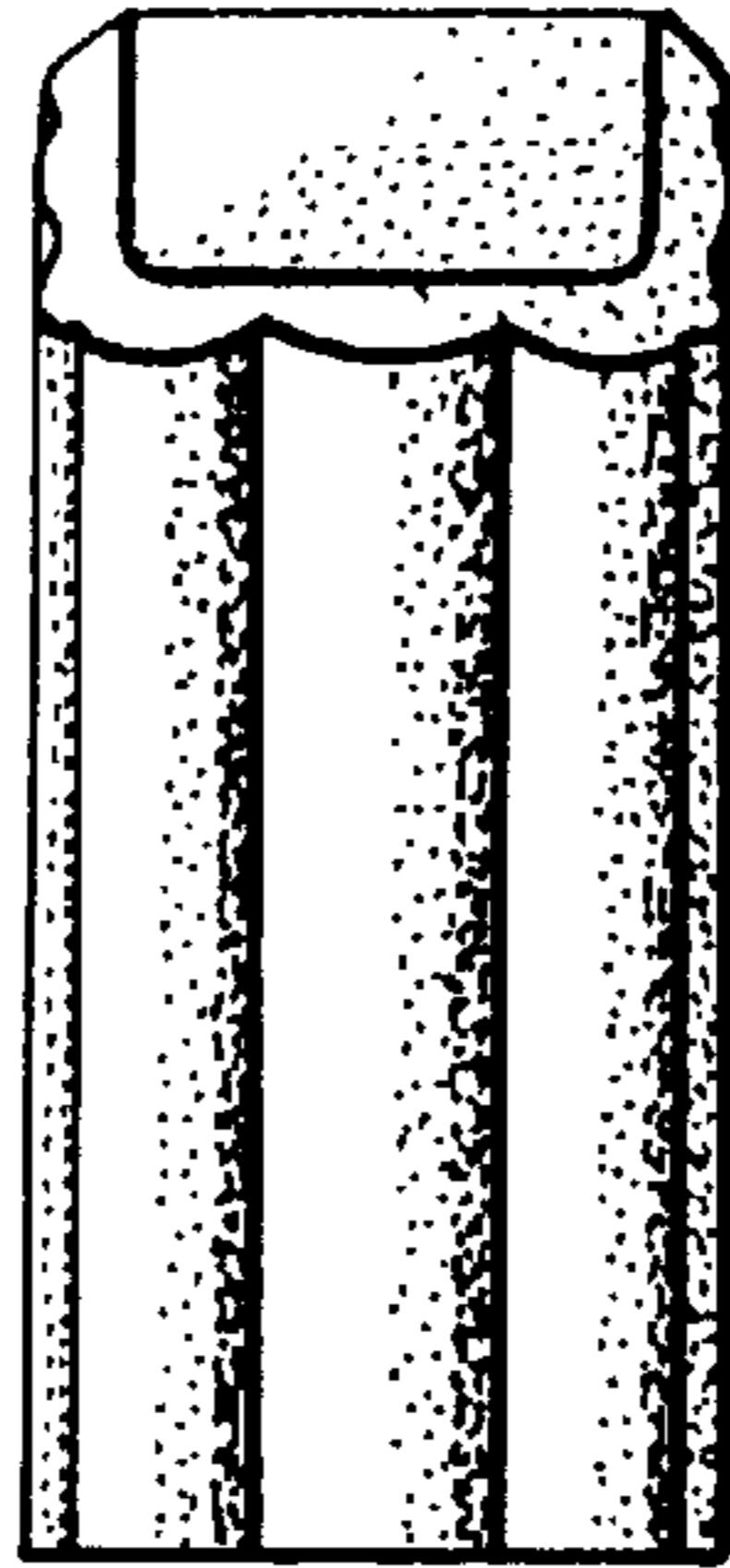


FIG. 4



FIG. 5

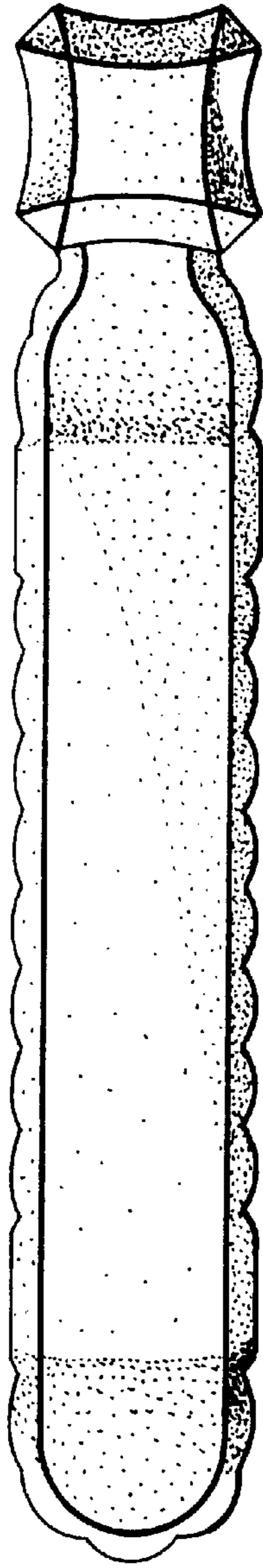


FIG. 6

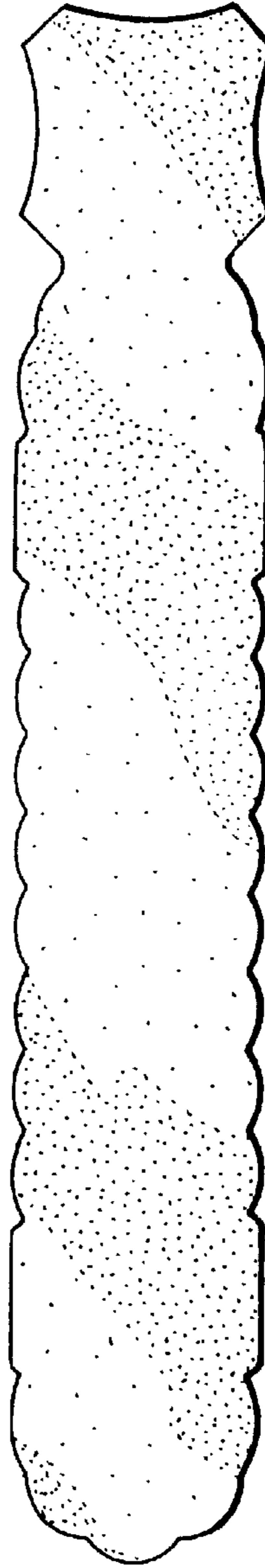


FIG. 7