



US00D539926S

(12) **United States Design Patent**
Placuzzi

(10) **Patent No.:** **US D539,926 S**

(45) **Date of Patent:** **** *Apr. 3, 2007**

(54) **TUBULAR MODULAR ARCHITECTURAL COMPONENT**

3,397,498 A * 8/1968 Murphy 52/385
4,599,254 A * 7/1986 Cuttica 428/45
D349,608 S * 8/1994 Savoie D6/332
D455,503 S * 4/2002 Heltzer D25/158

(75) Inventor: **Maurizio L. Placuzzi**, Ravenna (IT)

FOREIGN PATENT DOCUMENTS

(73) Assignee: **SICIS s.r.l.**, Ravenna (IT)

IT MI 2003U 000047 2/2003

(*) Notice: This patent is subject to a terminal disclaimer.

* cited by examiner

(**) Term: **14 Years**

Primary Examiner—Louis S. Zarfes
Assistant Examiner—Gregory Andoll

(21) Appl. No.: **29/233,119**

(74) *Attorney, Agent, or Firm*—Kenyon & Kenyon LLP

(22) Filed: **Jun. 27, 2005**

(57) **CLAIM**

(51) **LOC (8) Cl.** **25-01**

The ornamental design for a tubular modular architectural component, as shown and described.

(52) **U.S. Cl.** **D25/113**

(58) **Field of Classification Search** D25/102,
D25/113–118, 138, 151–163; D21/484–489,
D21/491–492; 52/384–398, DIG. 2
See application file for complete search history.

DESCRIPTION

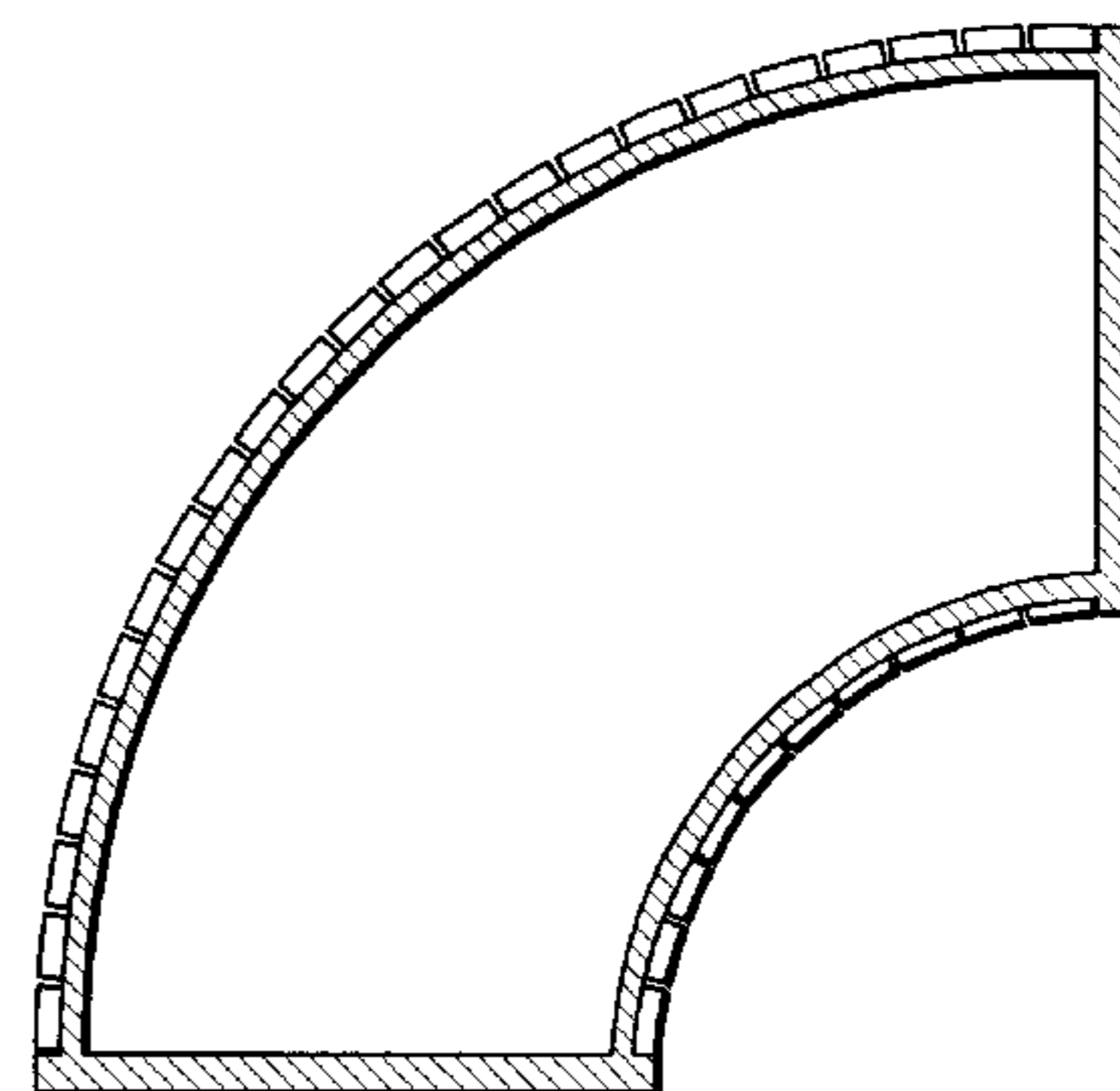
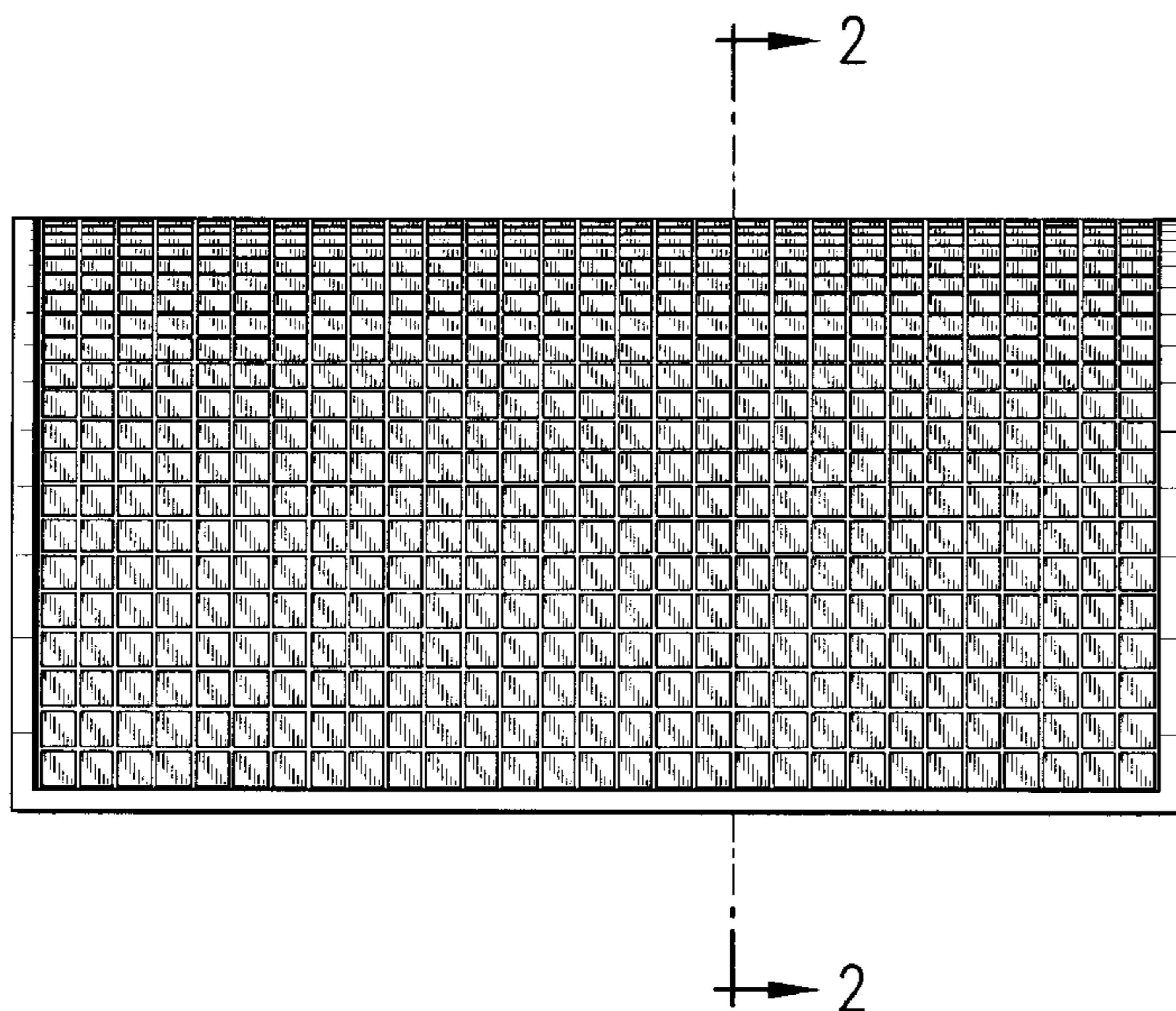
FIG. 1 is a perspective front view of a tubular modular architectural component illustrating my new design; and, FIG. 2 is a cross sectional view thereof taken along line 2—2 of FIG. 1.

(56) **References Cited**

U.S. PATENT DOCUMENTS

2,056,732 A * 10/1936 Mekler 52/249

1 Claim, 1 Drawing Sheet



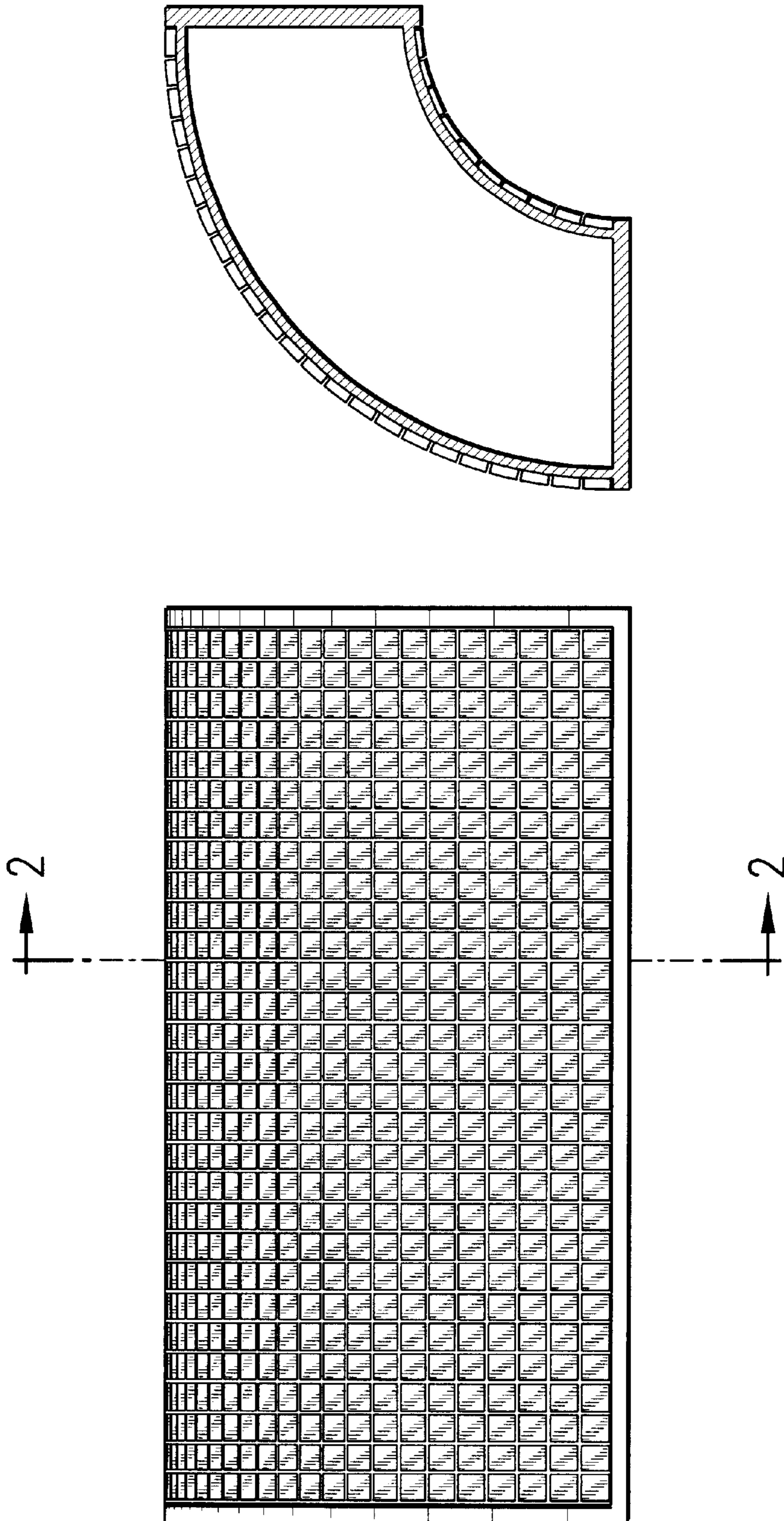


FIG. 2

FIG. 1