



US00D539924S

(12) **United States Design Patent**
Urriola

(10) **Patent No.:** **US D539,924 S**

(45) **Date of Patent:** **** Apr. 3, 2007**

(54) **PAVER**

(75) **Inventor:** **Humberto Urriola**, Castle Cove (AU)

(73) **Assignee:** **Astral Property Pty Ltd**, Chatswood (AU)

(**) **Term:** **14 Years**

(21) **Appl. No.:** **29/222,511**

(22) **Filed:** **Apr. 22, 2005**

(51) **LOC (8) Cl.** **25-01**

(52) **U.S. Cl.** **D25/113; D25/114**

(58) **Field of Classification Search** D25/112-118;
D21/484-490, 499-502; 405/15-16, 33,
405/35, 284-286; 404/29-42; 52/503, 504,
52/575, 596-599, 603-605, 608, 612
See application file for complete search history.

(56) **References Cited**

U.S. PATENT DOCUMENTS

1,584,987 A * 5/1926 McCormick 52/603

D261,047 S * 9/1981 Long D25/118
5,348,417 A * 9/1994 Scheiwiller 404/41
D461,567 S * 8/2002 Ogawa D25/118
D498,002 S * 11/2004 Ogawa et al. D25/118

FOREIGN PATENT DOCUMENTS

AU 156549 10/2004

* cited by examiner

Primary Examiner—Louis S. Zarfes

Assistant Examiner—Gregory Andoll

(57) **CLAIM**

I claim the ornamental design for a paver, as shown and described.

DESCRIPTION

FIG. 1 is a bottom plan view of a paver showing my design;
FIG. 2 is a top plan view thereof;
FIG. 3 is a right side view thereof;
FIG. 4 is a front elevational view thereof; and,
FIG. 5 is a perspective view thereof.

1 Claim, 1 Drawing Sheet

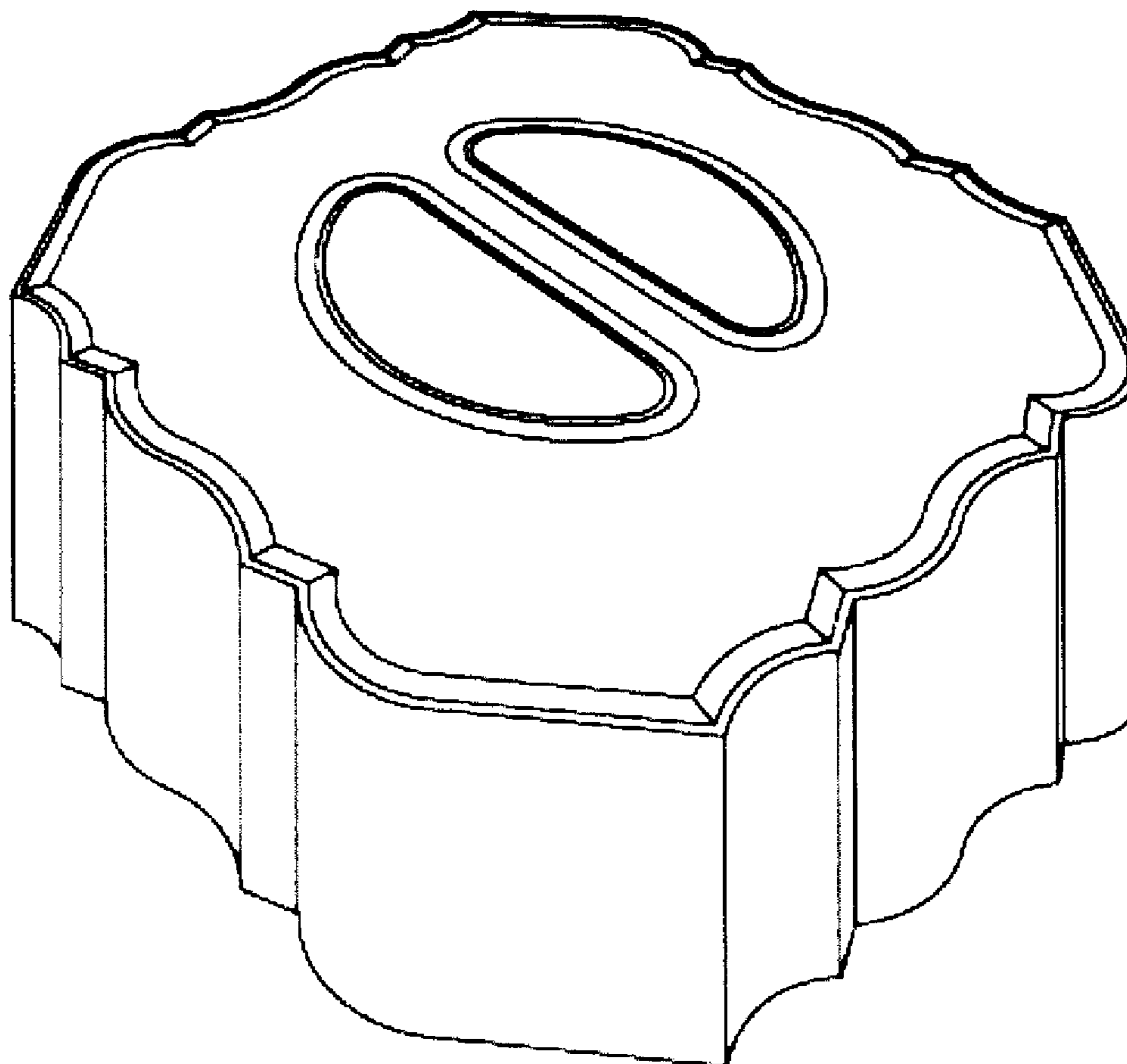


FIGURE 1

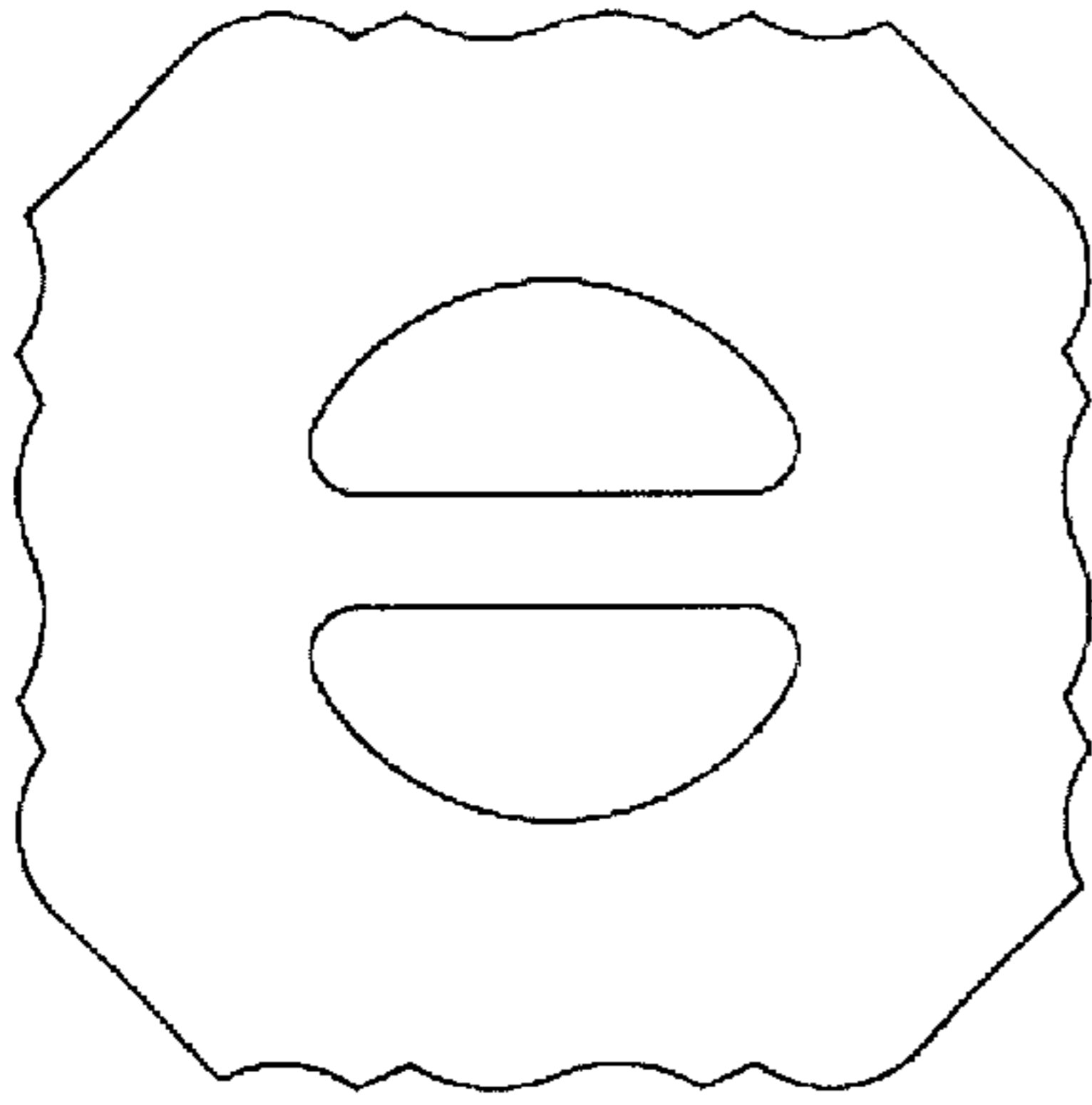


FIGURE 2

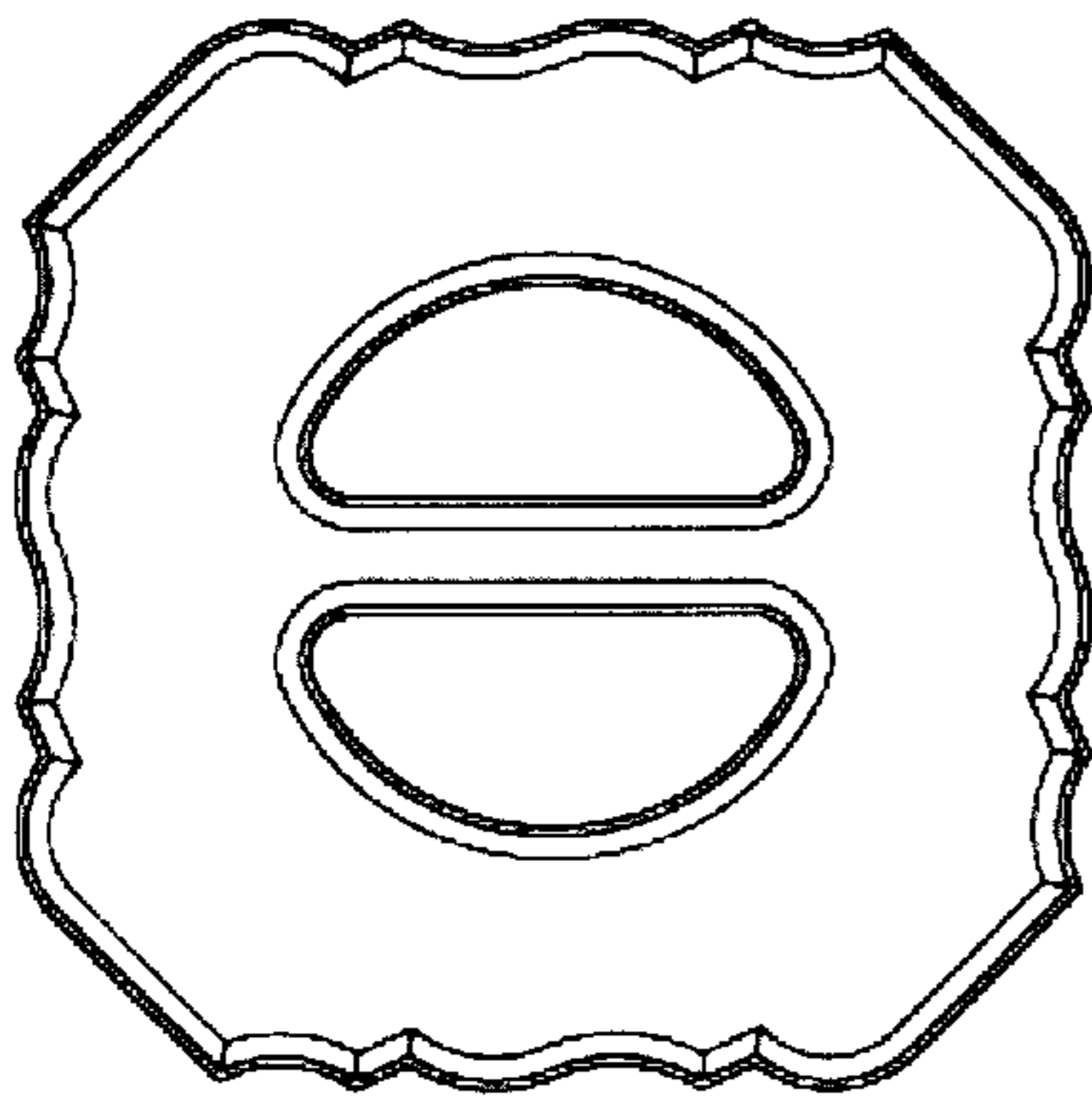


FIGURE 3

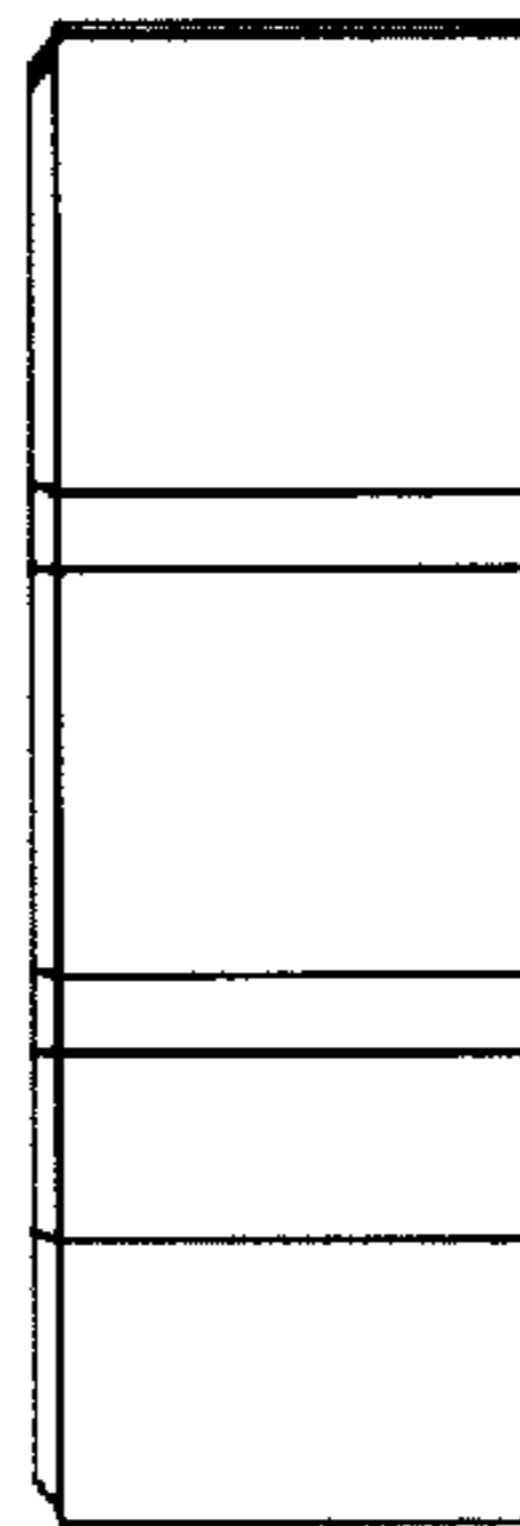


FIGURE 4

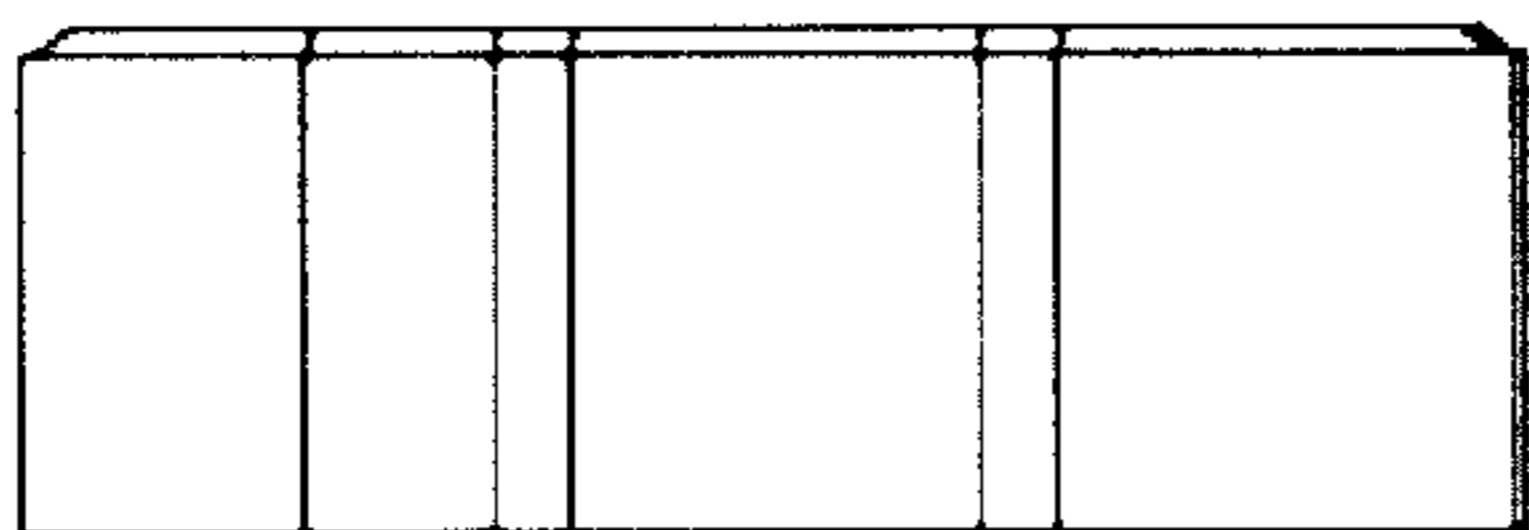


FIGURE 5

