



US00D539921S

(12) **United States Design Patent**
Williman

(10) **Patent No.:** **US D539,921 S**

(45) **Date of Patent:** **** Apr. 3, 2007**

(54) **GATE**

D422,089 S * 3/2000 Blad D25/50

(75) Inventor: **Jeremy Williman**, Milton Keynes (GB)

* cited by examiner

(73) Assignee: **Tensator Limited**, Milton Keynes (GB)

Primary Examiner—Doris Clark

(**) Term: **14 Years**

(74) *Attorney, Agent, or Firm*—Pillsbury Winthrop Shaw Pittman LLP

(21) Appl. No.: **29/236,402**

(57) **CLAIM**

(22) Filed: **Aug. 16, 2005**

The ornamental design for a gate, as shown and described.

(30) **Foreign Application Priority Data**

Feb. 18, 2005 (EM) 000301080-0001/0002

(51) **LOC (8) Cl.** **25-02**

(52) **U.S. Cl.** **D25/50**

(58) **Field of Classification Search** D25/50,
D25/51; 49/42, 46, 49

See application file for complete search history.

DESCRIPTION

FIG. 1 is front elevation view of a first embodiment of a gate embodying our new design;

FIG. 2 is a bottom plan view of the gate of FIG. 1;

FIG. 3 is top plan view of the gate of FIG. 1;

FIG. 4 is a right side view of the gate of FIG. 1, the left side view being a mirror image thereof; and,

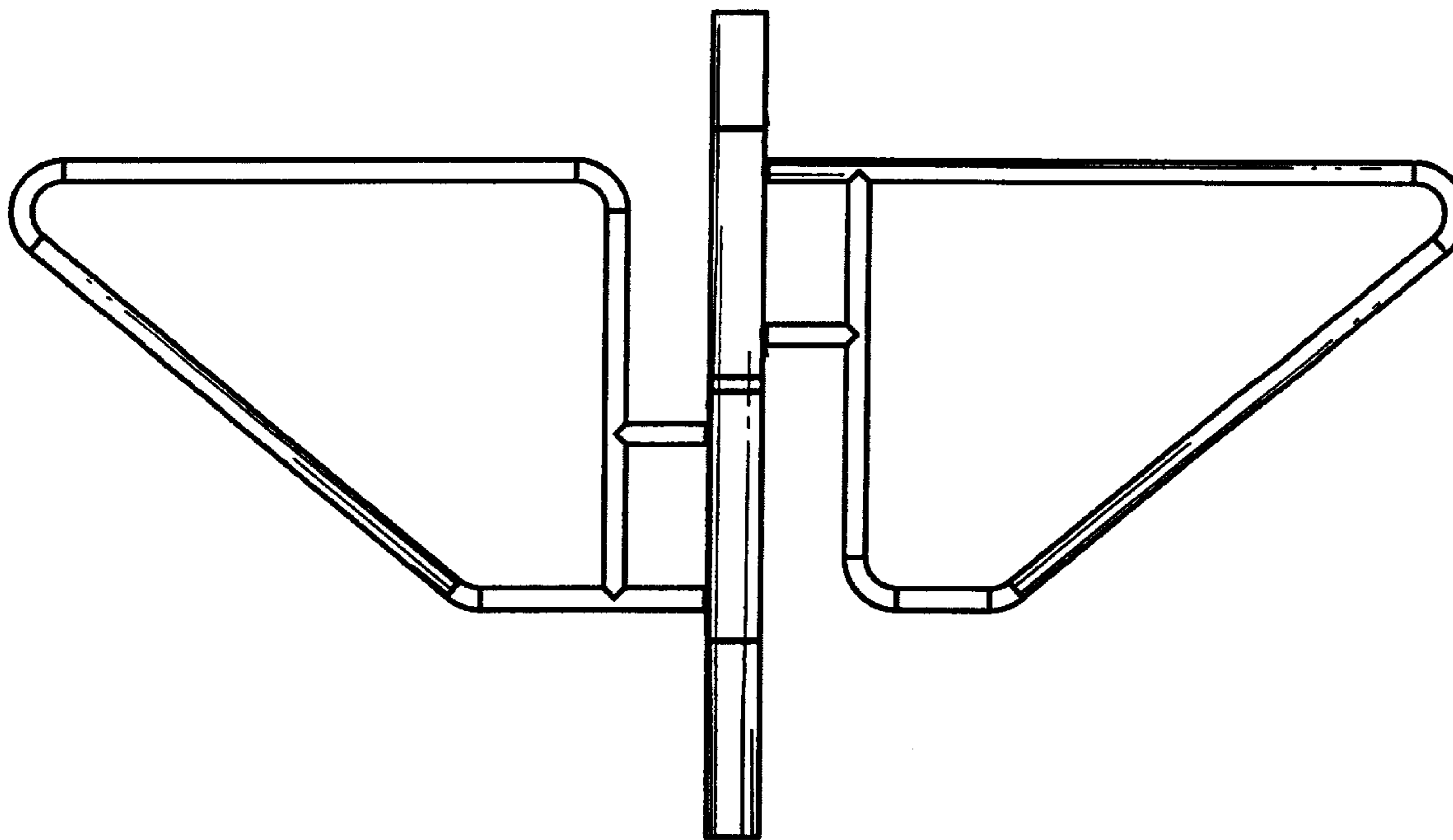
FIG. 5 is perspective view of the gate of FIG. 1.

(56) **References Cited**

U.S. PATENT DOCUMENTS

D347,284 S * 5/1994 Brigden D25/50

1 Claim, 4 Drawing Sheets



Front View

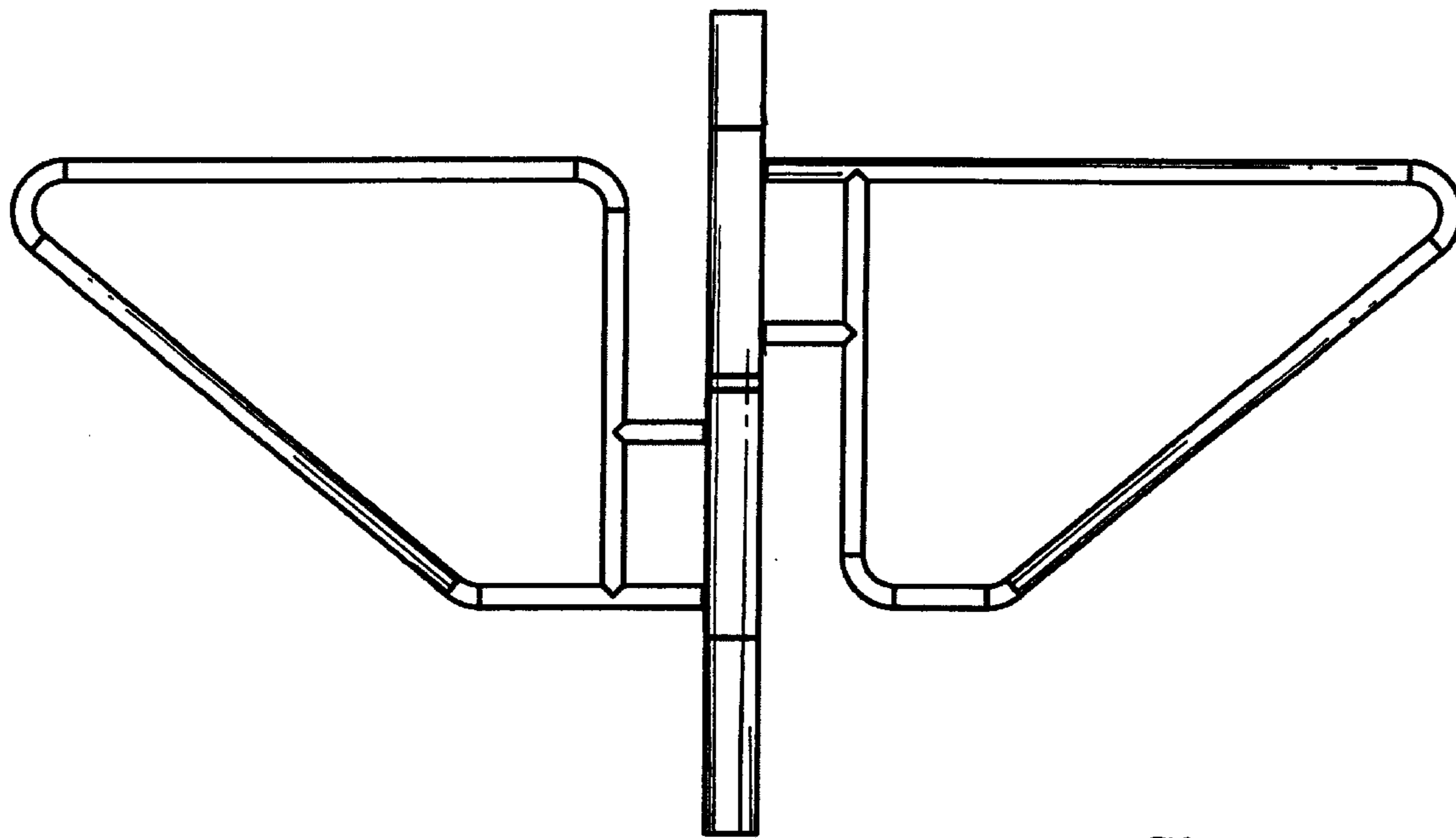


FIG. 1

Front View

FIG. 2



Plan view from below

FIG. 3



Plan view from above



FIG. 4

Side view from right
(left side view corresponds)

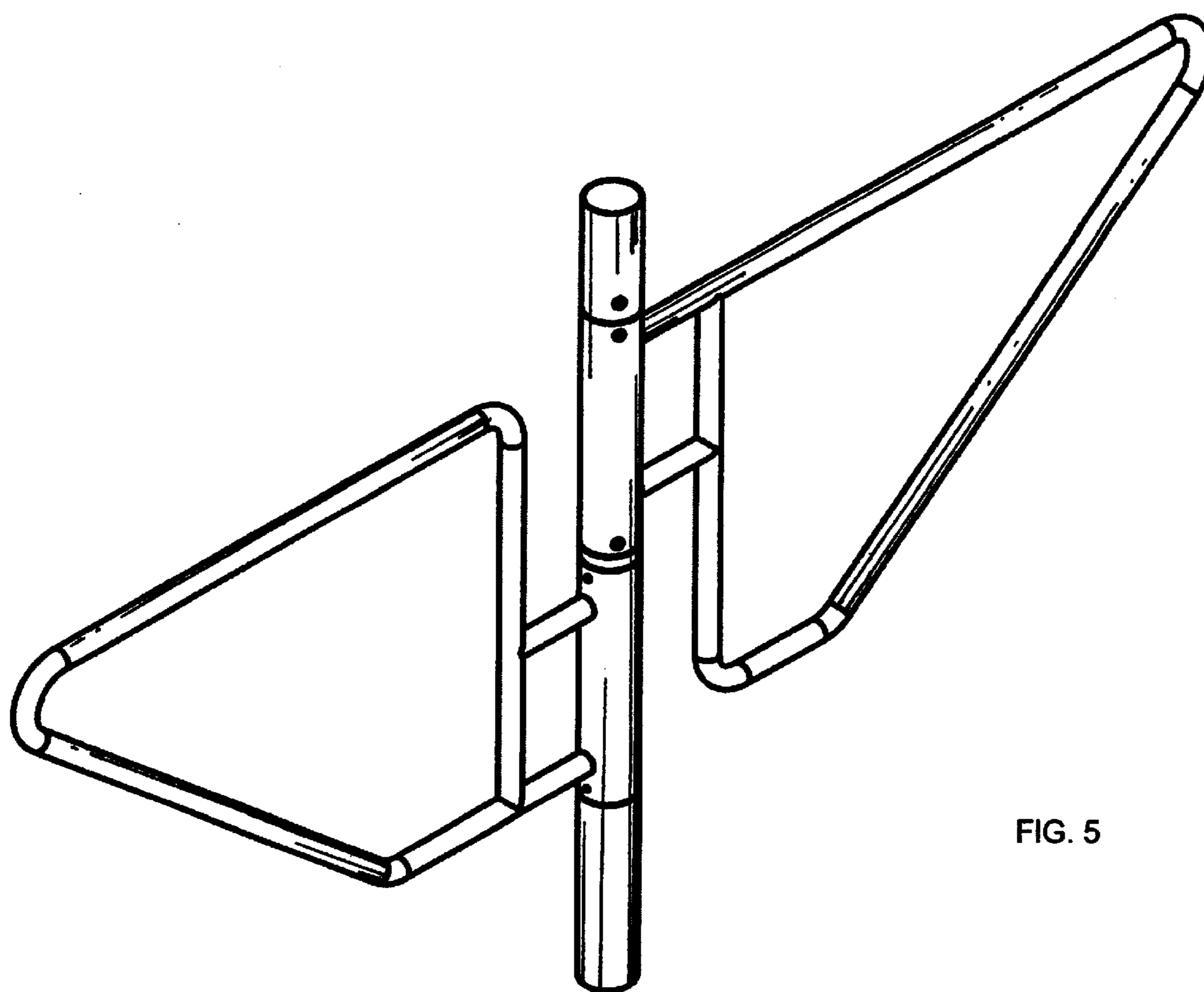


FIG. 5

Perspective view from above