



US00D539919S

(12) **United States Design Patent**  
**Bunting**

(10) **Patent No.:** **US D539,919 S**

(45) **Date of Patent:** **\*\* Apr. 3, 2007**

(54) **FENCE WALL SECTION**

(76) **Inventor:** **Richard Bunting**, 5534 NW. Burgin St., Port St. Lucie, FL (US) 34986

(\*\*) **Term:** **14 Years**

(21) **Appl. No.:** **29/231,545**

(22) **Filed:** **Jun. 8, 2005**

(51) **LOC (8) Cl.** ..... **25-02**

(52) **U.S. Cl.** ..... **D25/38**

(58) **Field of Classification Search** ..... 256/73,  
256/1, 59, 67, 65.02, 65.11, 65.15, 65.16,  
256/24, 25, 19, 21, 22; D25/38, 42, 44, 50,  
D25/126; 52/720.2

See application file for complete search history.

(56) **References Cited**

**U.S. PATENT DOCUMENTS**

82,733 A \* 10/1868 Maxson ..... 256/19

1,933,280 A \* 10/1933 Righter ..... 47/20.1  
D235,989 S \* 7/1975 Richardson ..... D25/44  
D258,238 S \* 2/1981 Grady, Jr. .... D25/35  
5,136,821 A \* 8/1992 Child ..... 52/741.13  
7,090,201 B2 \* 8/2006 Brucker ..... 256/24

\* cited by examiner

*Primary Examiner*—Doris Clark

(74) *Attorney, Agent, or Firm*—Kevin Redmond

(57) **CLAIM**

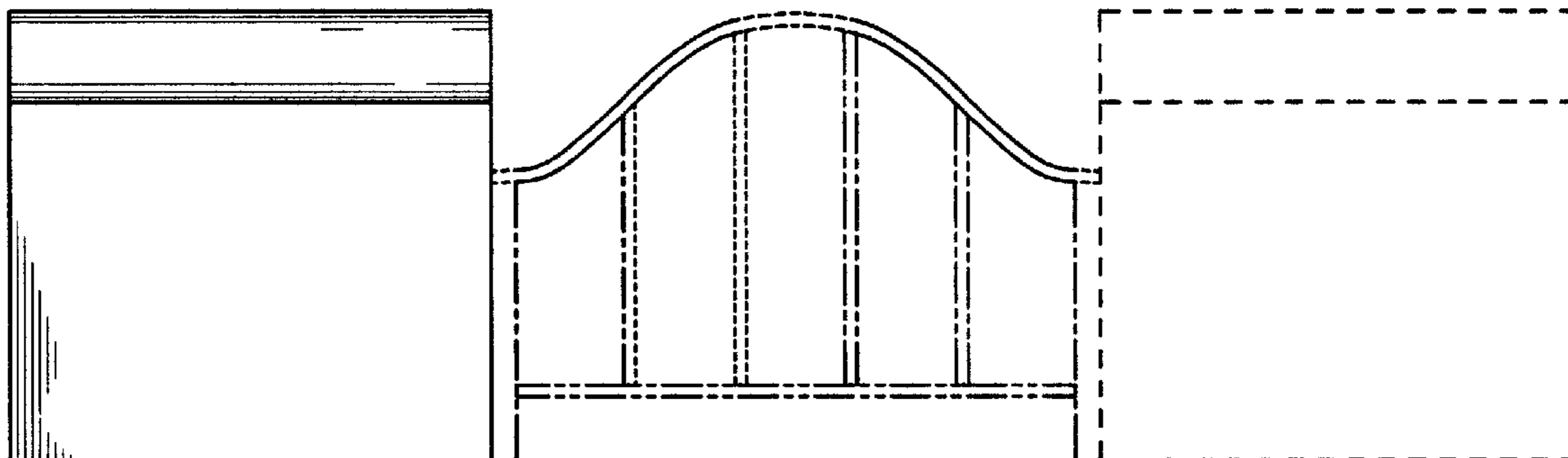
I claim the ornamental design for a fence wall section, as shown and described.

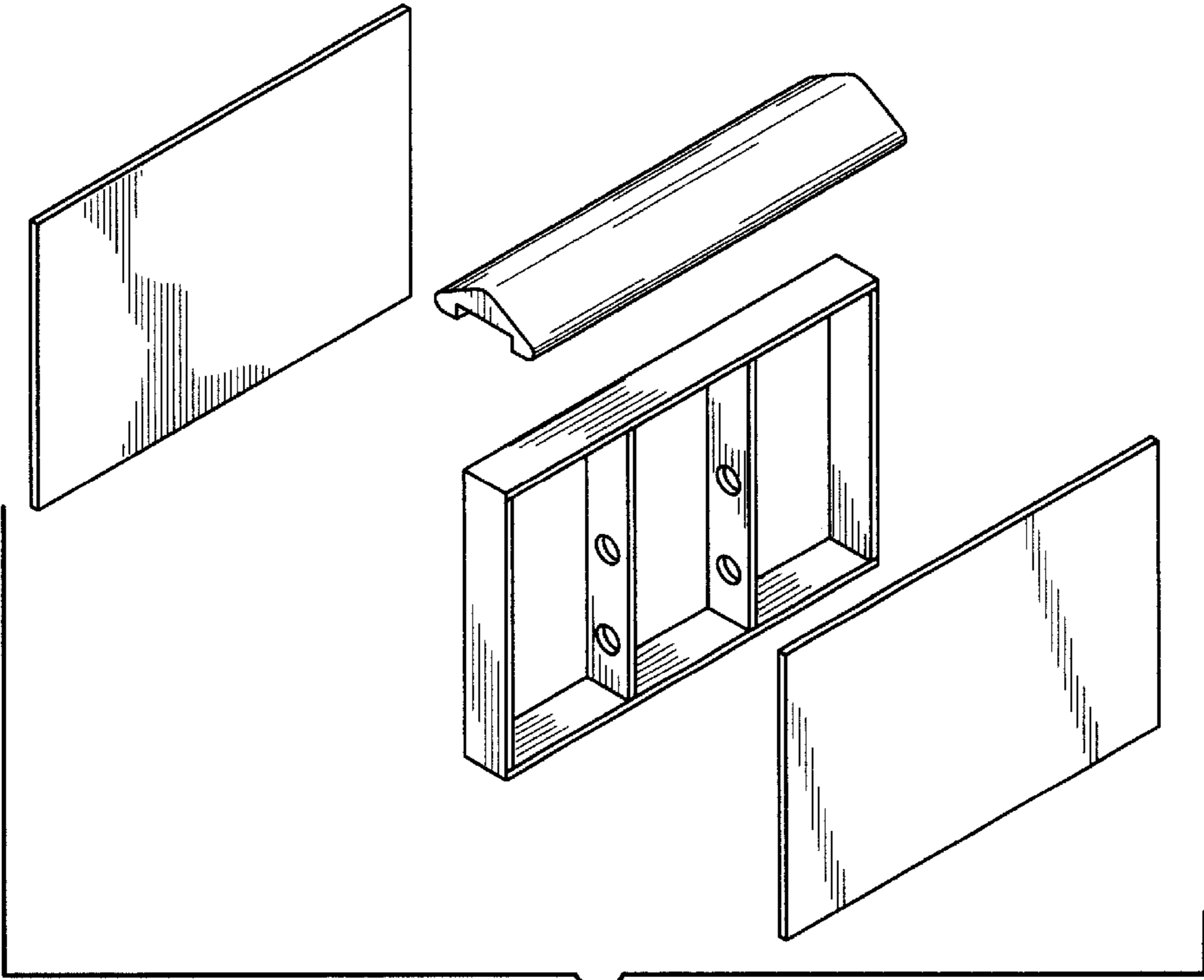
**DESCRIPTION**

FIG. 1 is an exploded perspective view of a fence wall section; and,

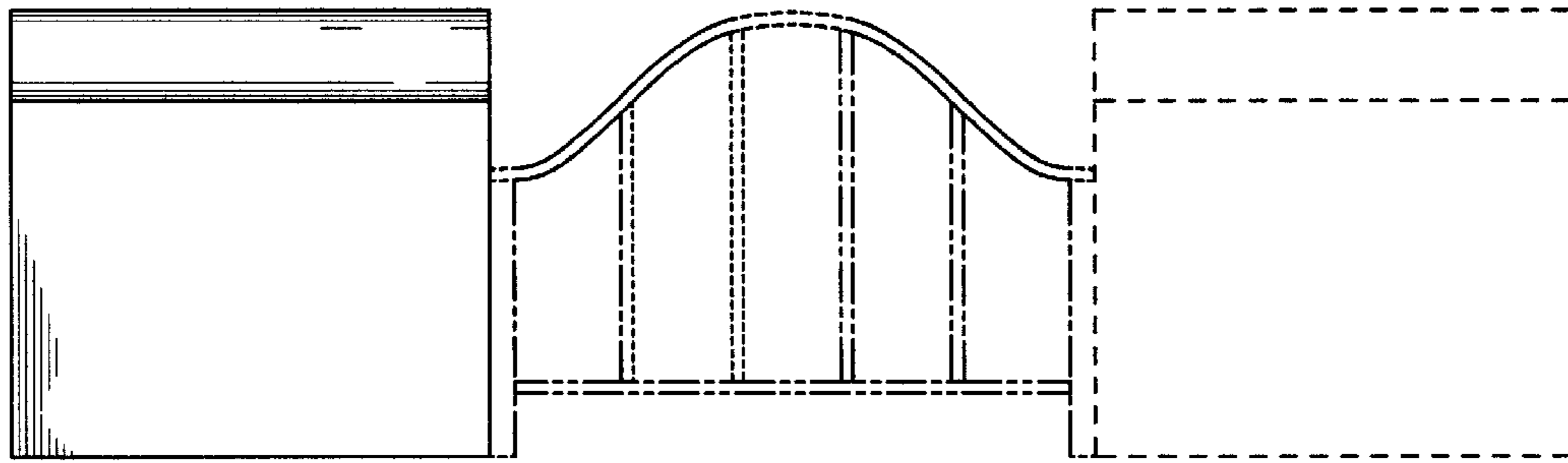
FIG. 2 is a front elevation view of a fence wall section; the broken lines are for illustrative purposes only and form no part of the claimed design.

**1 Claim, 2 Drawing Sheets**





*Fig. 1*



*Fig. 2*